



US00D574701S

(12) **United States Design Patent**
Clarke

(10) **Patent No.:** **US D574,701 S**

(45) **Date of Patent:** **** Aug. 12, 2008**

(54) **LOCKING DEVICE FOR WIRE ROPE**
SUSPENSIONS

D567,641 S * 4/2008 Clarke D8/383
D568,730 S * 5/2008 Clarke D8/383

(75) Inventor: **Neil Clarke**, Sheffield (GB)

* cited by examiner

(73) Assignee: **Gripple Limited**, Sheffield (GB)

Primary Examiner—Holly H. Baynham

Assistant Examiner—Sheryl Lane

(**) Term: **14 Years**

(74) *Attorney, Agent, or Firm*—Trexler, Bushnell, Giangiori,
Blackstone & Marr, Ltd.

(21) Appl. No.: **29/295,362**

(57) **CLAIM**

(22) Filed: **Sep. 27, 2007**

The design for a locking device for wire rope suspensions, as shown and described.

(51) **LOC (8) Cl.** **08-08**

(52) **U.S. Cl.** **D8/383**

(58) **Field of Classification Search** D8/383,
D8/333, 395; D11/215, 212; 24/115 G,
24/115 M, 115 R

See application file for complete search history.

DESCRIPTION

FIG. 1 is front, perspective view of the locking device;

FIG. 2 is a view of the rear;

FIG. 3 is a view of the left side;

FIG. 4 is a view of the right side;

FIG. 5 is a view of the top; and,

FIG. 6 is a view of the bottom.

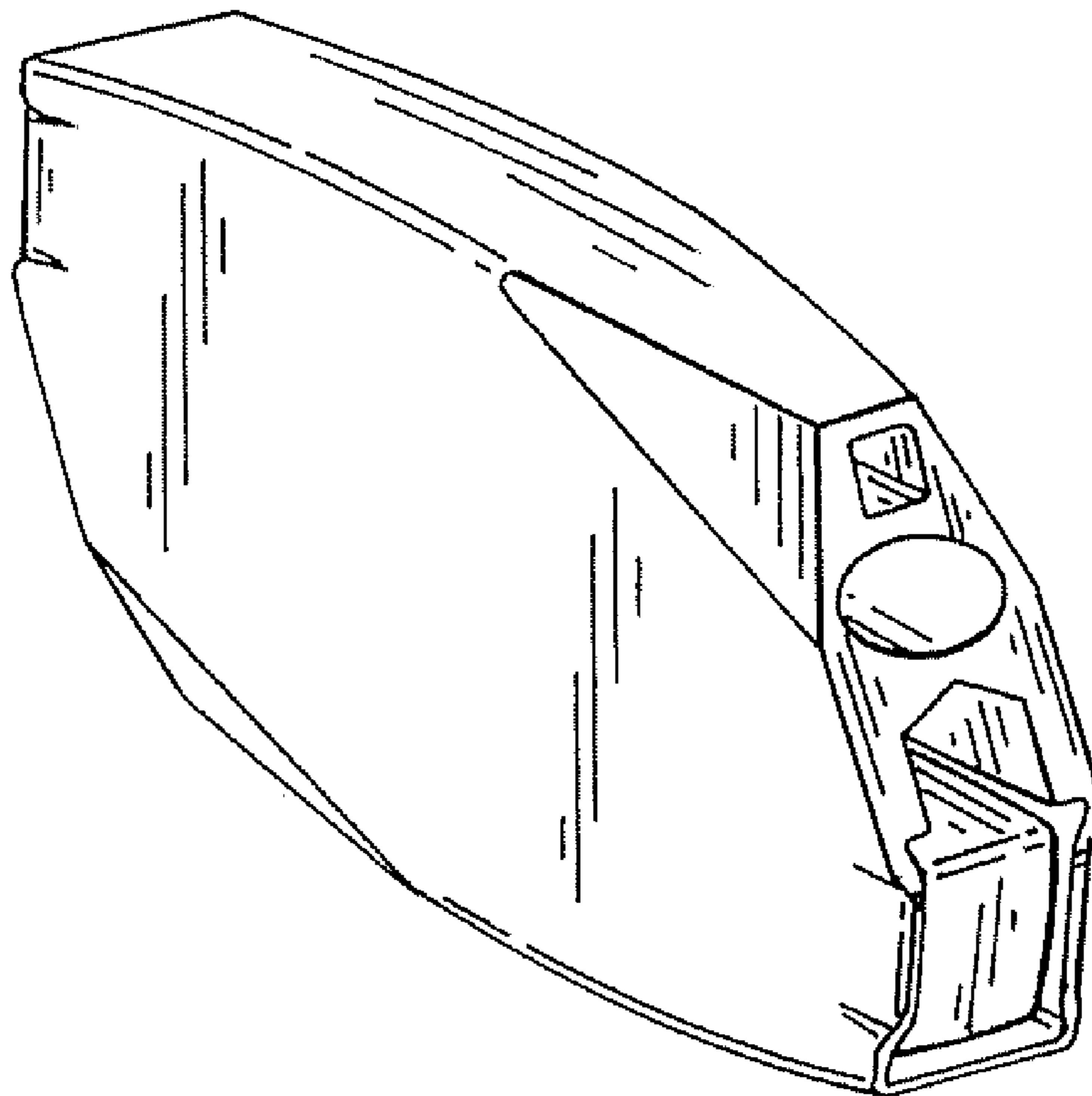
(56) **References Cited**

U.S. PATENT DOCUMENTS

D451,369 S * 12/2001 Murata D8/383

D452,138 S * 12/2001 Murata D8/383

1 Claim, 1 Drawing Sheet



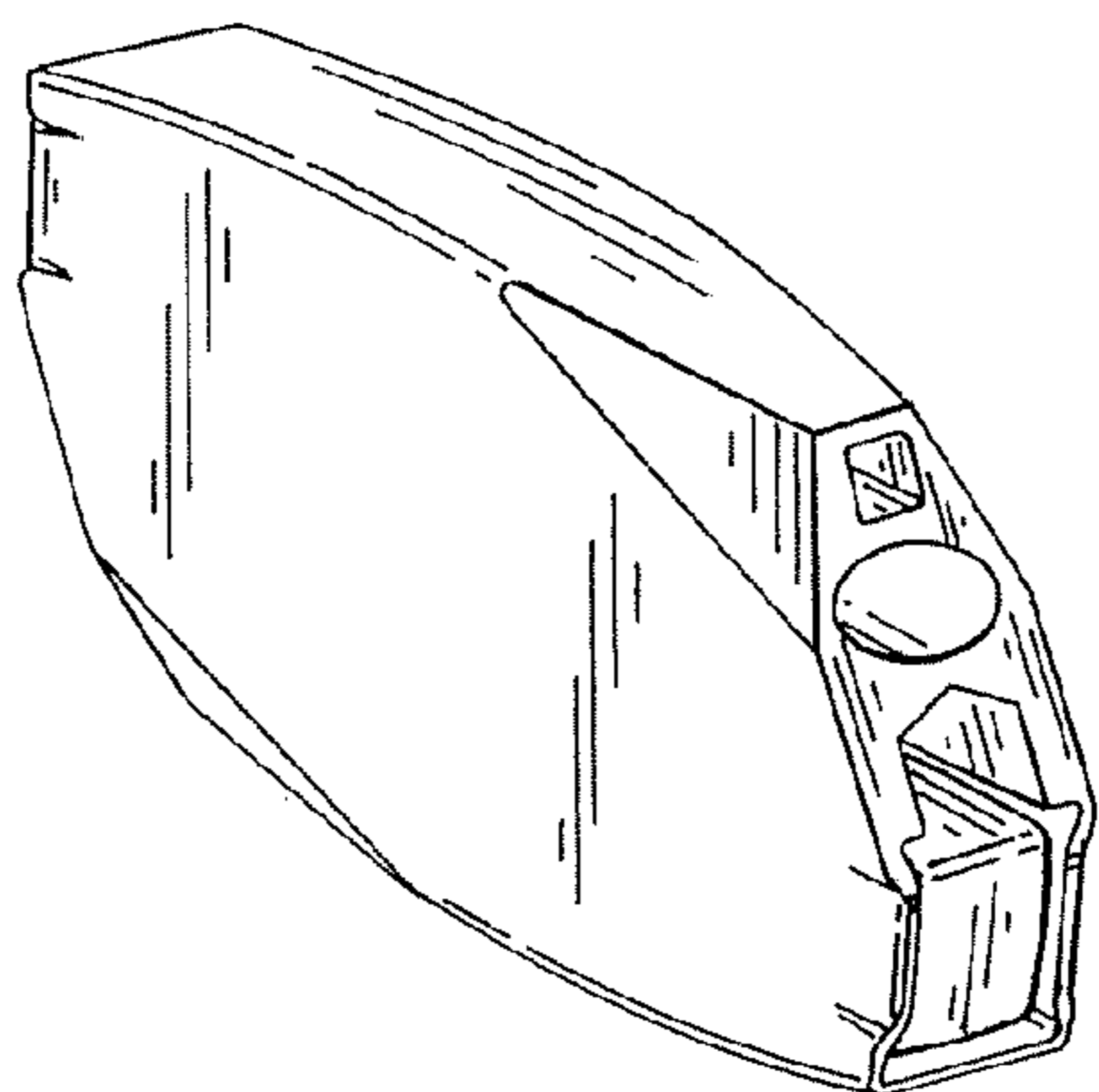


Fig. 1

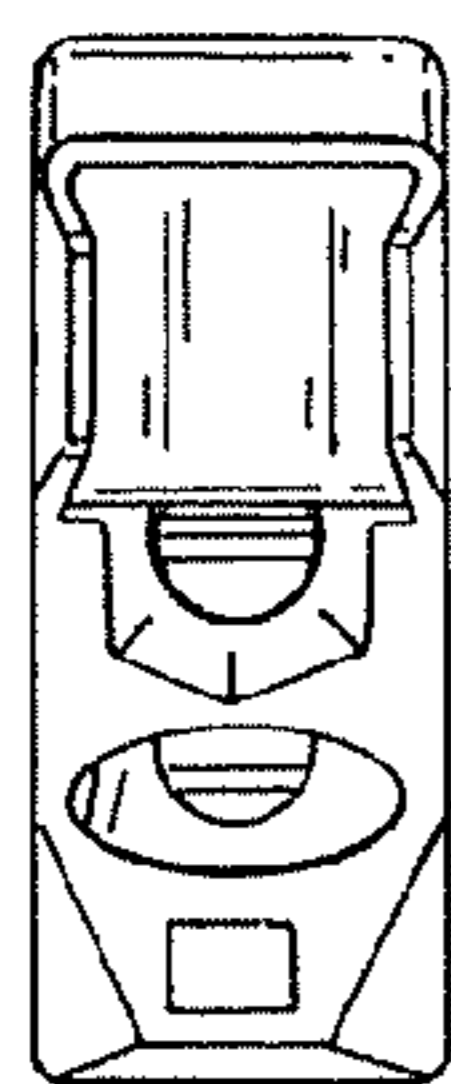


Fig. 3

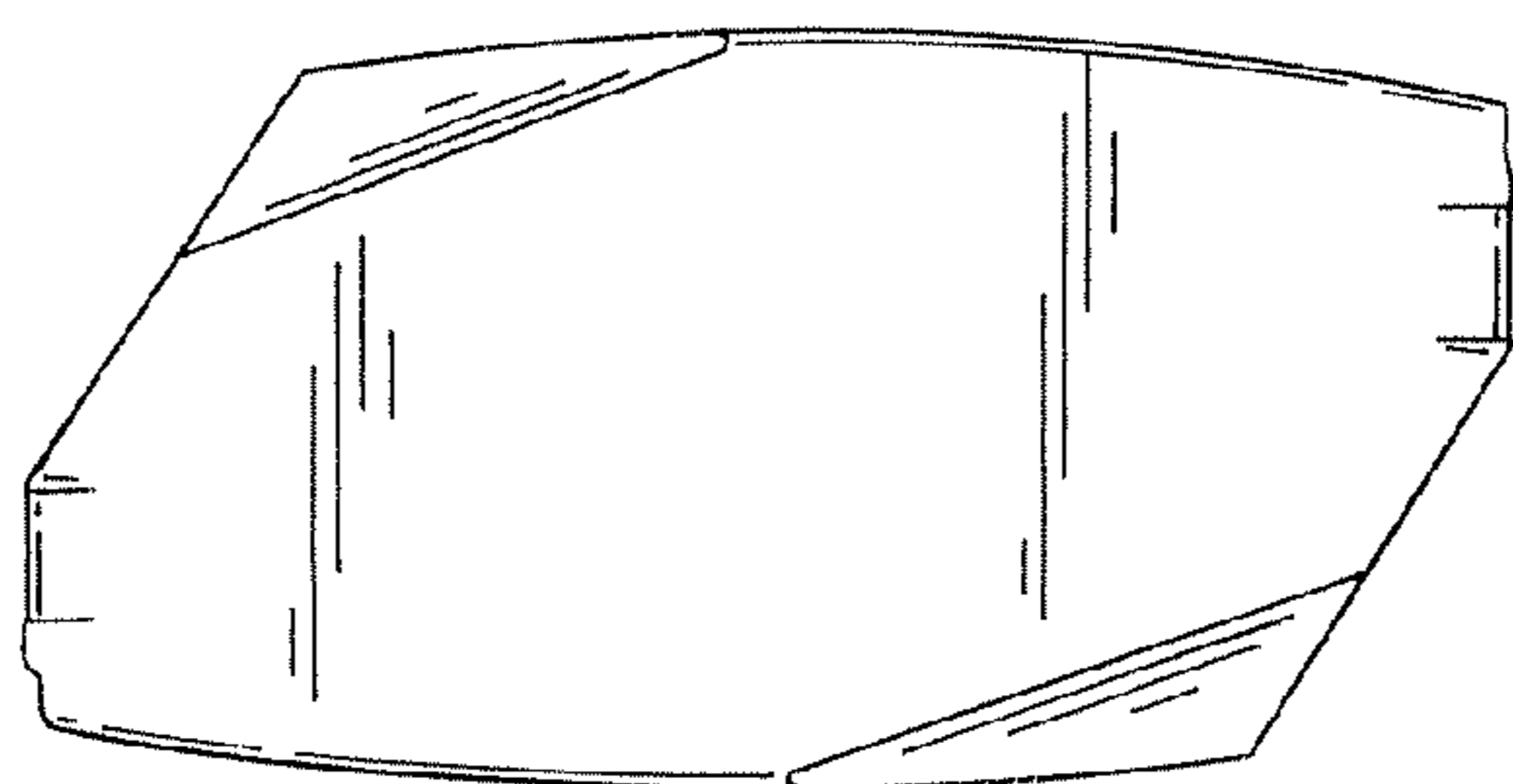


Fig. 2

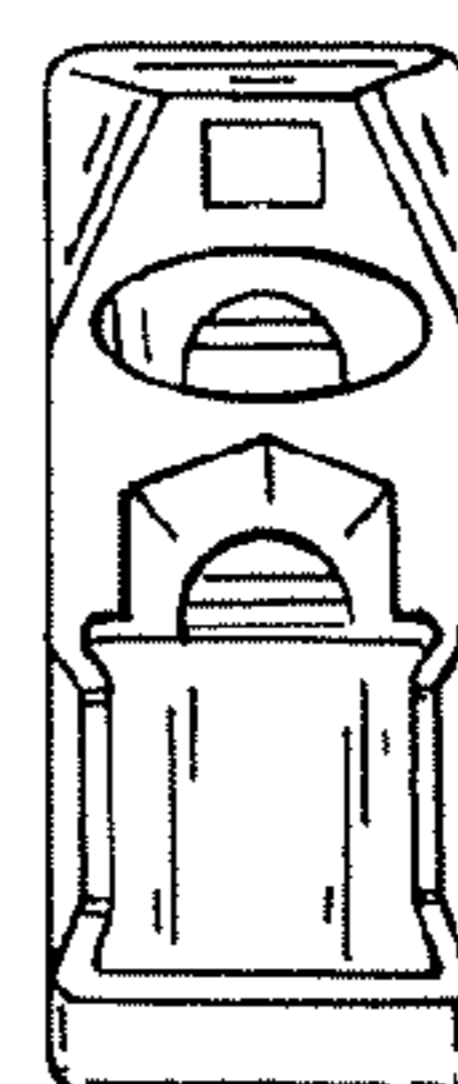


Fig. 4

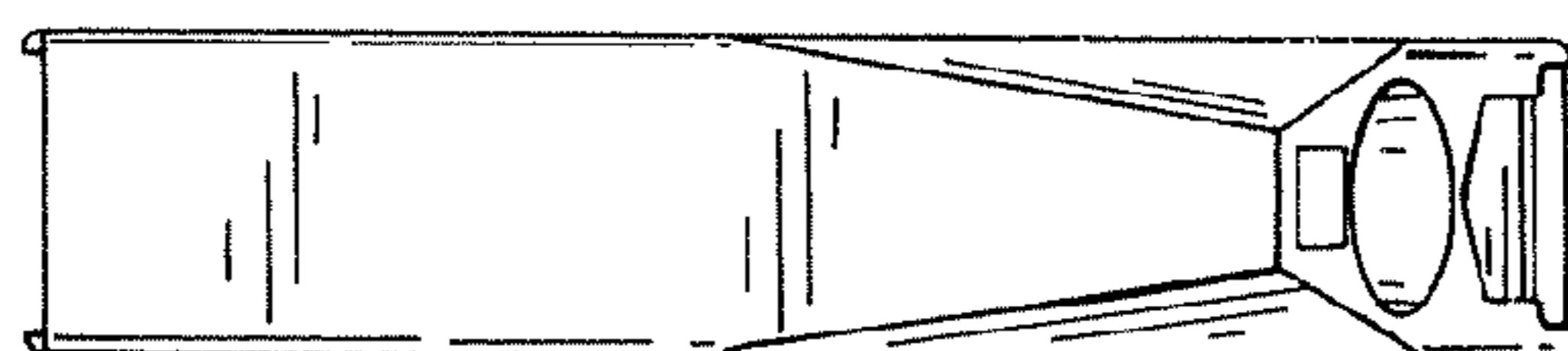


Fig. 5

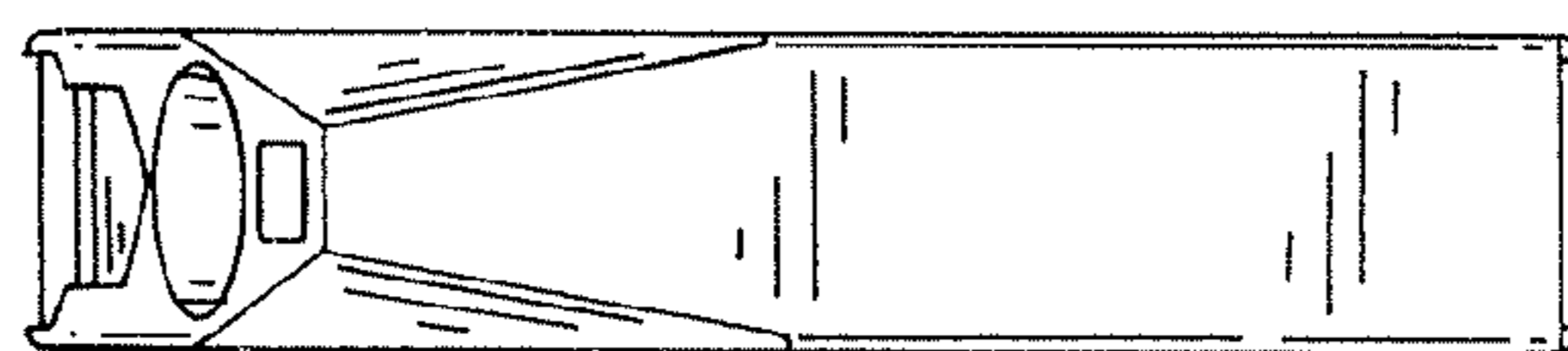


Fig. 6