



US00D574698S

(12) **United States Design Patent**
Grey et al.

(10) **Patent No.:** **US D574,698 S**

(45) **Date of Patent:** **** *Aug. 12, 2008**

(54) **TILT BRACKET FOR DISPLAY MOUNT**

(75) Inventors: **Dominic D. Grey**, Blaine, MN (US);
Joseph K. Vail, Roseville, MN (US)

(73) Assignee: **CSAV, Inc.**, Savage, MN (US)

(**) Term: **14 Years**

(21) Appl. No.: **29/277,324**

(22) Filed: **Feb. 21, 2007**

(51) **LOC (8) Cl.** **08-05**

(52) **U.S. Cl.** **D8/373; D14/451; D14/452**

(58) **Field of Classification Search** **D8/363,**
D8/373; D14/451-452

See application file for complete search history.

(56) **References Cited**

U.S. PATENT DOCUMENTS

5,751,548	A	5/1998	Hall et al.
5,842,672	A	12/1998	Sweere et al.
5,918,841	A	7/1999	Sweere et al.
5,947,429	A	9/1999	Sweere et al.
D415,768	S	10/1999	Howell
6,012,693	A	1/2000	Voeller et al.
6,015,120	A	1/2000	Sweere et al.
6,042,068	A	3/2000	Tcherny
6,068,227	A	5/2000	Morgan et al.
6,102,348	A	8/2000	O'Neill
6,126,128	A	10/2000	Costa et al.
6,273,382	B1	8/2001	Pemberton
6,367,756	B1	4/2002	Wang
6,378,830	B1	4/2002	Lu
6,394,403	B1	5/2002	Hung
6,402,109	B1	6/2002	Dittmer
D460,078	S	7/2002	Li
6,517,040	B1	2/2003	Wen
6,554,238	B1	4/2003	Hibberd
6,565,056	B2	5/2003	Lin
D477,606	S	7/2003	Theis et al.
6,592,090	B1	7/2003	Li
6,604,722	B1	8/2003	Tan
6,663,064	B1	12/2003	Minelli et al.
6,672,553	B1	1/2004	Lin

D490,697	S	6/2004	Runnalls
D493,800	S	8/2004	Pfister et al.
D494,596	S	8/2004	Pfister
D494,978	S *	8/2004	Pfister D14/451
D497,537	S *	10/2004	O'Keene et al. D8/355
6,923,413	B2	8/2005	Dozier
D517,085	S	3/2006	Deuschle
D528,901	S	9/2006	David
D530,595	S	10/2006	Lam et al.

(Continued)

OTHER PUBLICATIONS

ViewSonic Mount, pp. 1. circa 2005.

(Continued)

Primary Examiner—Holly H. Baynham

(74) *Attorney, Agent, or Firm*—Patterson, Thuente Skaar & Christensen, PA

(57) **CLAIM**

We claim the ornamental design for tilt bracket for display mount, as shown.

DESCRIPTION

FIG. 1 is a rear perspective view of a tilt bracket for display mount according to an embodiment of the invention;

FIG. 2 is a front perspective view of the tilt bracket for display mount depicted in FIG. 1;

FIG. 3 is a side elevation view of the tilt bracket for display mount depicted in FIG. 1;

FIG. 4 is a front elevation view of the tilt bracket for display mount depicted in FIG. 1;

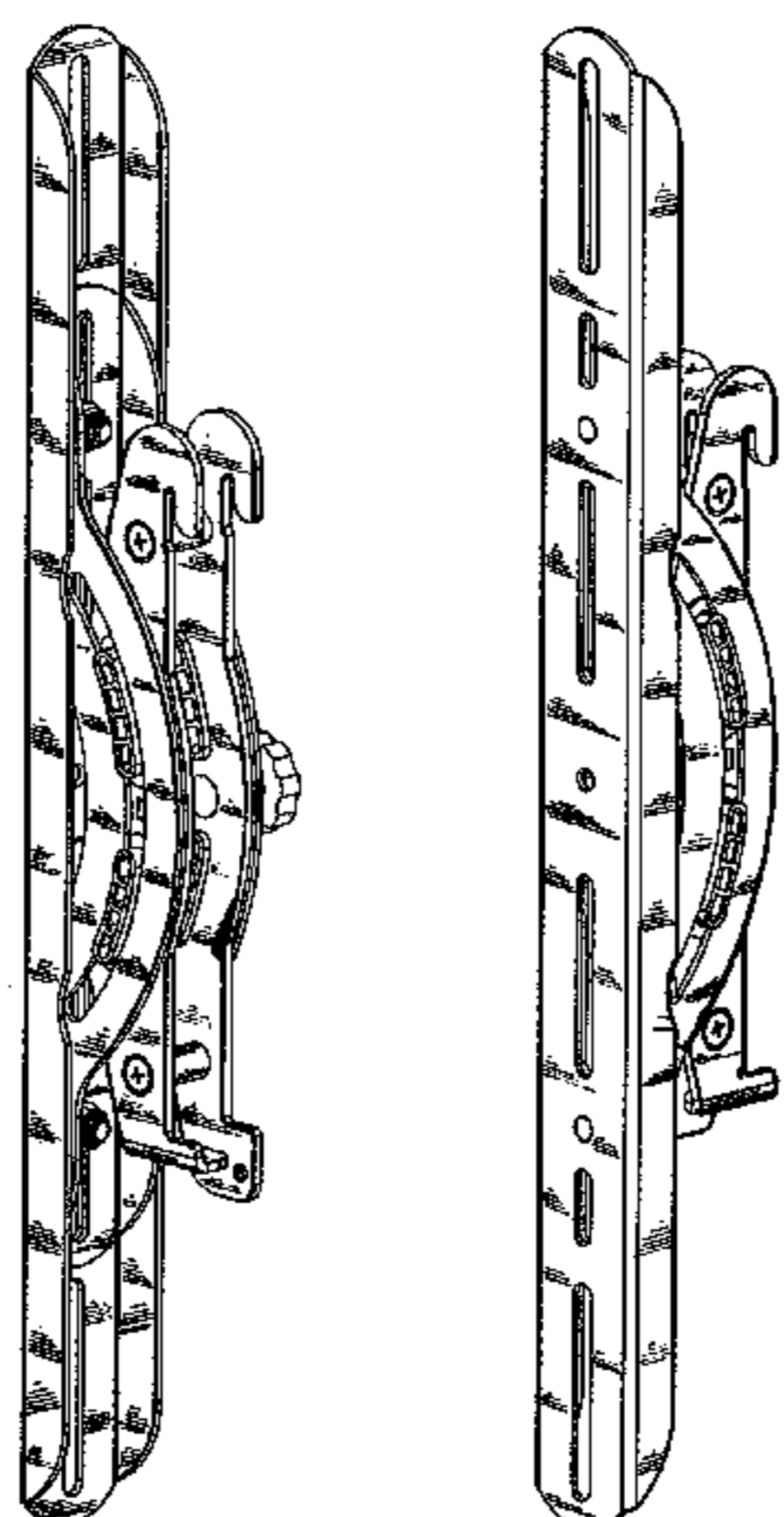
FIG. 5 is an opposing side elevation view of the tilt bracket for display mount depicted in FIG. 1;

FIG. 6 is a rear elevation view of the tilt bracket for display mount depicted in FIG. 1;

FIG. 7 is a top plan view of the tilt bracket for display mount depicted in FIG. 1; and,

FIG. 8 is a bottom plan view of the tilt bracket for display mount depicted in FIG. 1.

1 Claim, 2 Drawing Sheets



U.S. PATENT DOCUMENTS

7,152,836	B2	12/2006	Pfister et al.
7,178,775	B2	2/2007	Pfister et al.
D538,141	S	3/2007	Stenhouse et al.
D538,632	S	3/2007	Ly Hau et al.
D539,125	S	3/2007	Ly Hau et al.
D539,126	S	3/2007	Stenhouse et al.
D539,637	S	4/2007	Ly Hau et al.
2002/0011544	A1	1/2002	Bosson
2002/0084396	A1	7/2002	Weaver
2003/0075653	A1	4/2003	Li
2003/0136888	A1	7/2003	Boele
2003/0154673	A1	8/2003	MacGregor et al.
2003/0201372	A1	10/2003	Dozier
2003/0227739	A1	12/2003	Kim et al.
2004/0011932	A1	1/2004	Duff
2004/0011938	A1	1/2004	Oddsens, Jr.

OTHER PUBLICATIONS

Hitachi Mount, pp. 1. circa 2005.
 U.S. Appl. No. 29/266,294, filed Sep. 18, 2006, Grey.
 Brochure Entitled: Panel Display Pivot Mount for Model PDM 625, 2 pgs, no date available.
 Brochure Entitled: Panel Display Pivot Mount for Model Nos. PDM 110 and PDM 120, 2 pgs, no data available.
 Plasma TV Wall Mount Installation Manual entitled: *Wall Mount Kit for Plasma TV Screens*, Rev 1.0, dated Nov. 2003, pp. 1-12.
 Brochure Entitled: Peerless® Flat Panel SmartMount™ Universal Tilt Wall Mount for 32" to 50" Plasma and LCD Flat Panel Screens, 2 pgs. . © 2006.

Brochure Entitled: Peerless® Flat Panel SmartMount™ Universal Tilt Wall Mount for 61" to 102" Plasma and LCD Flat Panel Screens, 2 pgs. . © 2006.
 Brochure Entitled: Peerless® Flat Panel SmartMount™ Universal Tilt Wall Mount for 42" to 71" Plasma and LCD Flat Panel Screens, 2 pgs. . ©2006.
 Brochure Entitled: Peerless® Flat Panel SmartMount™ Universal Tilt Wall Mount for 32" to 60" Plasma and LCD Flat Panel Screens, 2 pgs. . ©2006.
 Brochure Entitled: Peerless® Flat Panel SmartMount™ Universal Tilt Wall Mount for 23" to 46" LCD Flat Panel Screens, 2 pgs. . © 2006.
 Brochure Entitled: Peerless® Flat Panel SmartMount™ Universal Flat Wall Mount for 61" to 102" Plasma and LCD Flat Panel Screens, 2 pgs. . © 2006.
 Brochure Entitled: Peerless® Flat Panel SmartMount™ Universal Flat Wall Mount for 42" to 71" Plasma and LCD Flat Panel Screens, 2 pgs. . © 2006.
 Brochure Entitled: Peerless® Flat Panel SmartMount™ Universal Flat Wall Mount for 32" to 60" Plasma and LCD Flat Panel Screens, 2 pgs. . © 2006.
 Brochure Entitled: Peerless® Flat Panel SmartMount™ Universal Flat Wall Mount for 23" to 46" LCD Flat Panel Screens, 2 pgs. . © 2006.
 Brochure Entitled: Peerless® Flat Panel SmartMount™ Universal Flat Wall Mount for 61" to 102" Plasma and LCD Flat Panel Screens, 2 pgs. © 2006.
 Brochure Entitled: Peerless® Solid Solutions—Solid Support™ Installation and Assembly: SmartMount™ Universal Tilt Wall Mount for 22"–49" Screens, pp. 8, issued Mar. 31, 2005.

* cited by examiner

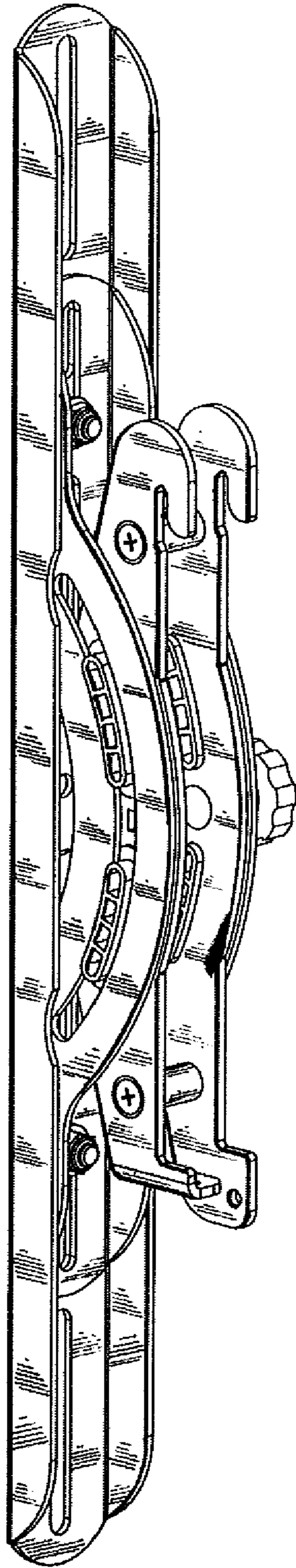


Fig. 1.

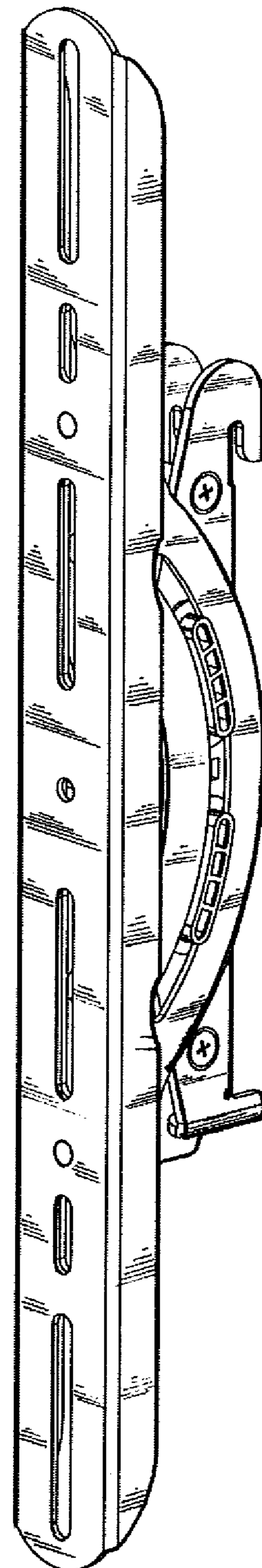


Fig. 2.

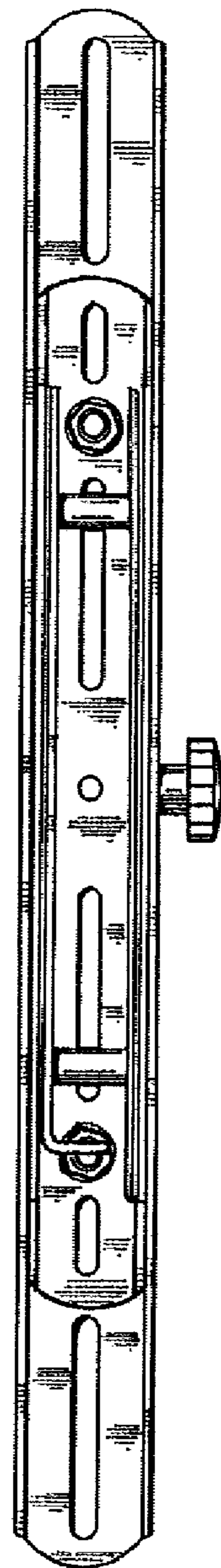
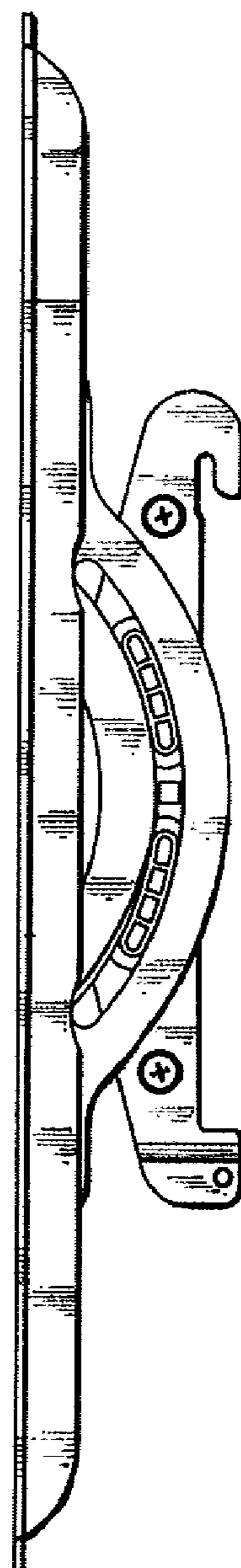
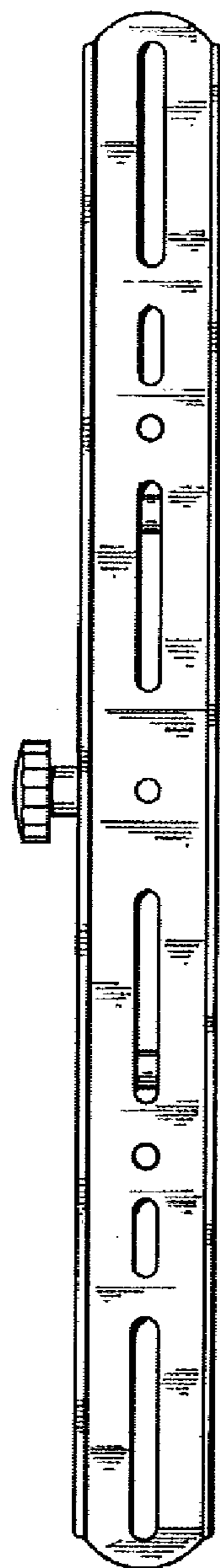
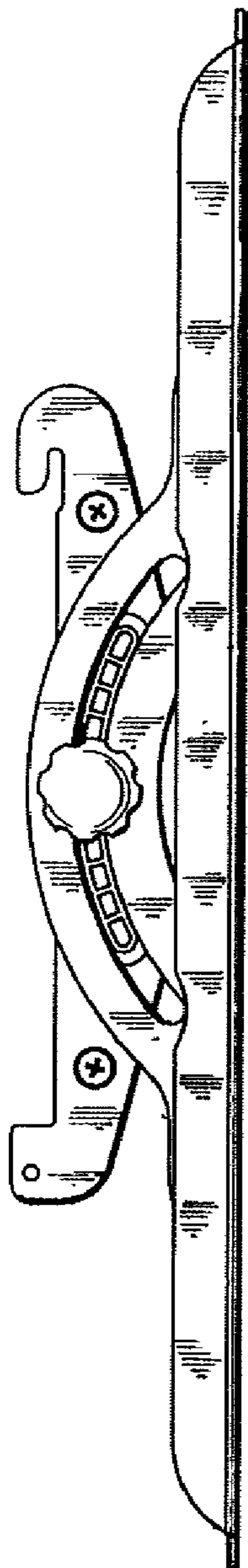


Fig. 3.

Fig. 4.

Fig. 5.

Fig. 6.

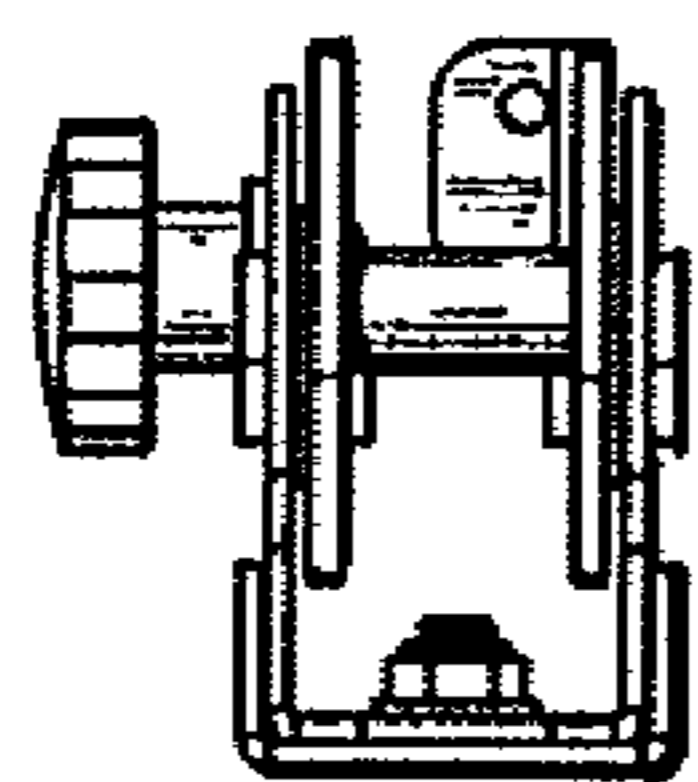


Fig. 7.

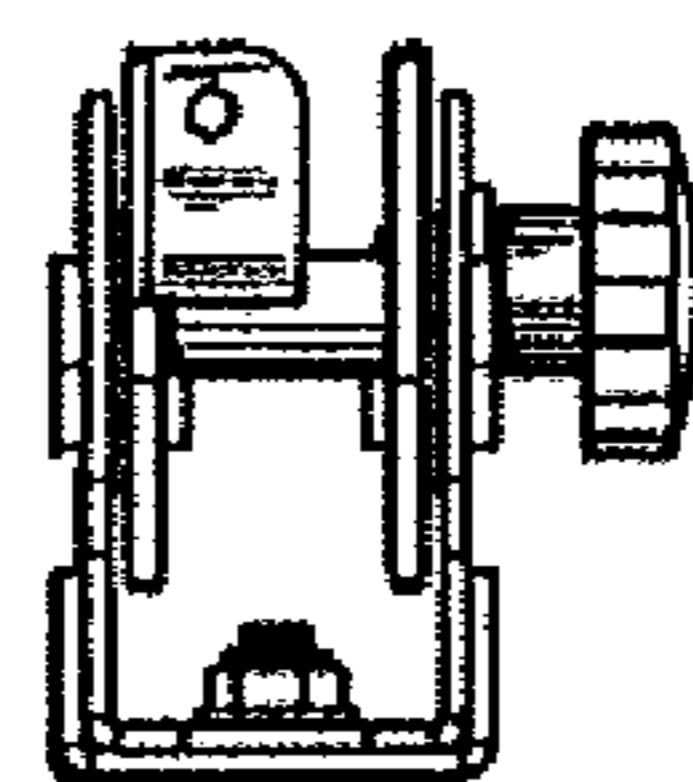


Fig. 8.