



US00D574697S

(12) **United States Design Patent**
Green

(10) **Patent No.:** **US D574,697 S**

(45) **Date of Patent:** **** Aug. 12, 2008**

(54) **TRUSS ANCHOR**

(76) **Inventor:** **David E. Green**, 10181 Inlet Pointe N.,
Aurora, OH (US) 44202

(**) **Term:** **14 Years**

(21) **Appl. No.:** **29/273,782**

(22) **Filed:** **Mar. 13, 2007**

(51) **LOC (8) Cl.** **08-05**

(52) **U.S. Cl.** **D8/354**

(58) **Field of Classification Search** D8/354,
D8/349; 52/698, 712, 715

See application file for complete search history.

(56) **References Cited**

U.S. PATENT DOCUMENTS

2,731,116 A	1/1956	Allison
3,184,013 A	5/1965	Pavlecka
3,498,014 A	3/1970	Fergen
3,821,868 A	7/1974	Edwards
4,235,054 A	11/1980	Cable
4,272,930 A	6/1981	Foster
4,324,082 A	4/1982	Rutkowski et al.
4,353,192 A	10/1982	Pearson et al.
4,542,614 A	9/1985	Malachowski
D283,352 S	4/1986	Bancroft
D286,199 S	10/1986	Bancroft
4,630,547 A	12/1986	Przybylinski et al.
4,660,339 A	4/1987	Paz
4,714,372 A	12/1987	Commins
4,744,192 A	5/1988	Commins
D318,130 S	7/1991	Abbestam et al.
5,070,667 A	12/1991	Schulte
5,390,460 A	2/1995	Llorens
5,394,665 A	3/1995	Johnson
5,403,062 A	4/1995	Sjostedt et al.
5,423,156 A	6/1995	Nellessen, Jr.
D363,997 S	11/1995	Nomura
D371,208 S	6/1996	De Zen
5,561,955 A	10/1996	Frobosilo et al.
5,611,173 A	3/1997	Headrick et al.
5,644,888 A	7/1997	Johnson

D384,169 S	9/1997	Leonelli
5,706,626 A	1/1998	Mueller
5,735,090 A	4/1998	Papke
5,794,746 A	8/1998	Ketonen et al.
5,797,233 A	8/1998	Hascall
5,802,798 A	9/1998	Martens
5,848,512 A	12/1998	Conn

(Continued)

OTHER PUBLICATIONS

U.S. Appl. No. 11/356,482, Antonic.

(Continued)

Primary Examiner—Holly H. Baynham

(74) *Attorney, Agent, or Firm*—Laura G. Barrow

(57)

CLAIM

The ornamental design of a truss anchor, as shown and described.

DESCRIPTION

FIG. 1 is a top view of the truss anchor piece, broken at the dotted lines to show where the bends are made to create the anchor.

FIG. 2 is an assembled front, right, top perspective view of the truss anchor showing my new design;

FIG. 3 is a front view of the truss anchor shown in FIG. 2.

FIG. 4 is a back view of the truss anchor shown in FIG. 2.

FIG. 5 is a left side view of the truss anchor shown in FIG. 2.

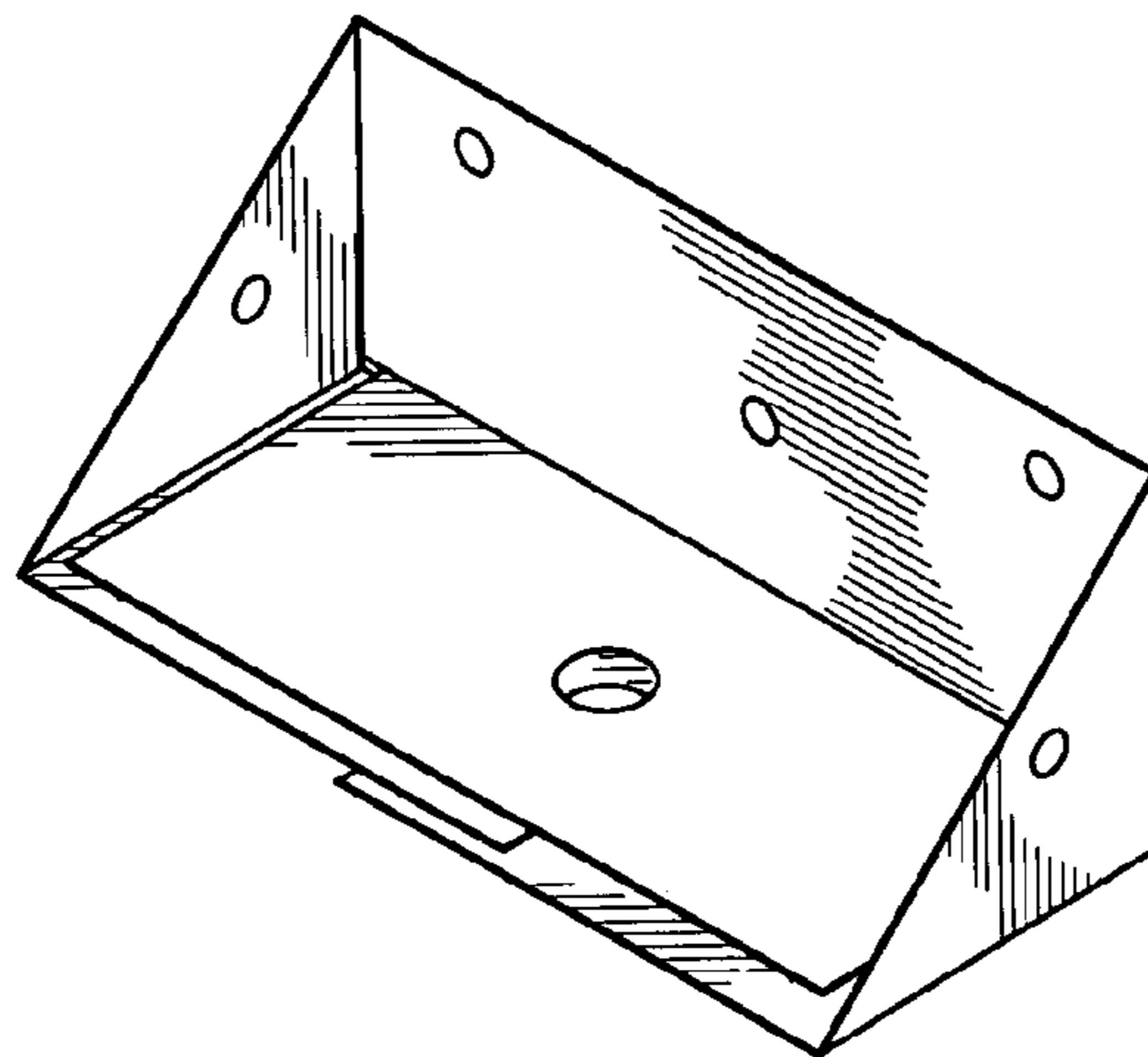
FIG. 6 is a right side view of the truss anchor shown in FIG. 2.

FIG. 7 is a top view of the truss anchor shown in FIG. 2; and,

FIG. 8 is a bottom view of the truss anchor shown in FIG. 2.

The shading lines shown in all of the drawings represent the approximate three-dimensional contour of the design, and thus are not intended to indicate surface decoration. In addition, the dotted lines in FIG. 1 are not intended to indicate surface decoration.

1 Claim, 3 Drawing Sheets



US D574,697 S

Page 2

U.S. PATENT DOCUMENTS

D407,828	S	4/1999	Hart	6,754,999	B1	6/2004	Urbanczk
5,927,039	A	7/1999	De Boer	6,789,358	B2	9/2004	Procton et al.
5,930,968	A	8/1999	Pullam	6,796,099	B1	9/2004	Georges et al.
5,950,385	A	9/1999	Herren	6,837,012	B2	1/2005	Scherrer et al.
6,003,279	A	12/1999	Schneider	6,837,019	B2	1/2005	Collie
D423,690	S	4/2000	Grosfillex	D511,086	S *	11/2005	Craine D8/354
6,067,769	A	5/2000	Hardy	D511,217	S	11/2005	Bullock et al.
6,092,340	A	7/2000	Simmons	D523,565	S	6/2006	Antonic
D432,671	S	10/2000	Grosfillex	D523,735	S *	6/2006	Craine D8/354
6,216,395	B1	4/2001	Kelly	D537,537	S	2/2007	Antonic
6,260,601	B1	7/2001	Thomas	7,178,305	B2 *	2/2007	Petrova 52/715
D446,870	S	8/2001	Gardner	D540,479	S	4/2007	Antonic
6,272,796	B1	8/2001	Metzler	2002/0066245	A1	6/2002	Pryor
6,276,094	B1	8/2001	Hays	2002/0069600	A1	6/2002	Bryant
D447,574	S	9/2001	Fening	2002/0092245	A1	7/2002	Floyd et al.
6,314,704	B1	11/2001	Bryant	2002/0148178	A1	10/2002	Farag
D452,016	S	12/2001	Hall	2003/0029124	A1	2/2003	Wise
6,341,458	B1	1/2002	Burt	2003/0089066	A1	5/2003	Nelson
6,427,403	B1	8/2002	Tambakis	2003/0217521	A1	11/2003	Richardson et al.
6,438,903	B1	8/2002	Weiss	2004/0107653	A1	6/2004	Collie
6,519,911	B1	2/2003	Sawada	2004/0163355	A1	8/2004	Collie
D473,955	S	4/2003	Gregori	2005/0011157	A1	1/2005	Lutz et al.
6,553,731	B2	4/2003	Hsueh	2006/0254167	A1	11/2006	Antonic
D474,286	S	5/2003	Gregori	2007/0094992	A1	5/2007	Antonic
D474,549	S	5/2003	Krieger				
6,581,337	B1	6/2003	Skov et al.				
6,655,096	B1	12/2003	Pryor				
6,684,573	B2	2/2004	Heath et al.				
6,698,971	B1	3/2004	Wilhelmi				

OTHER PUBLICATIONS

PCT Written Opinion (PCT/US06/39754), Sep. 25, 2007, 11 pages total.

* cited by examiner

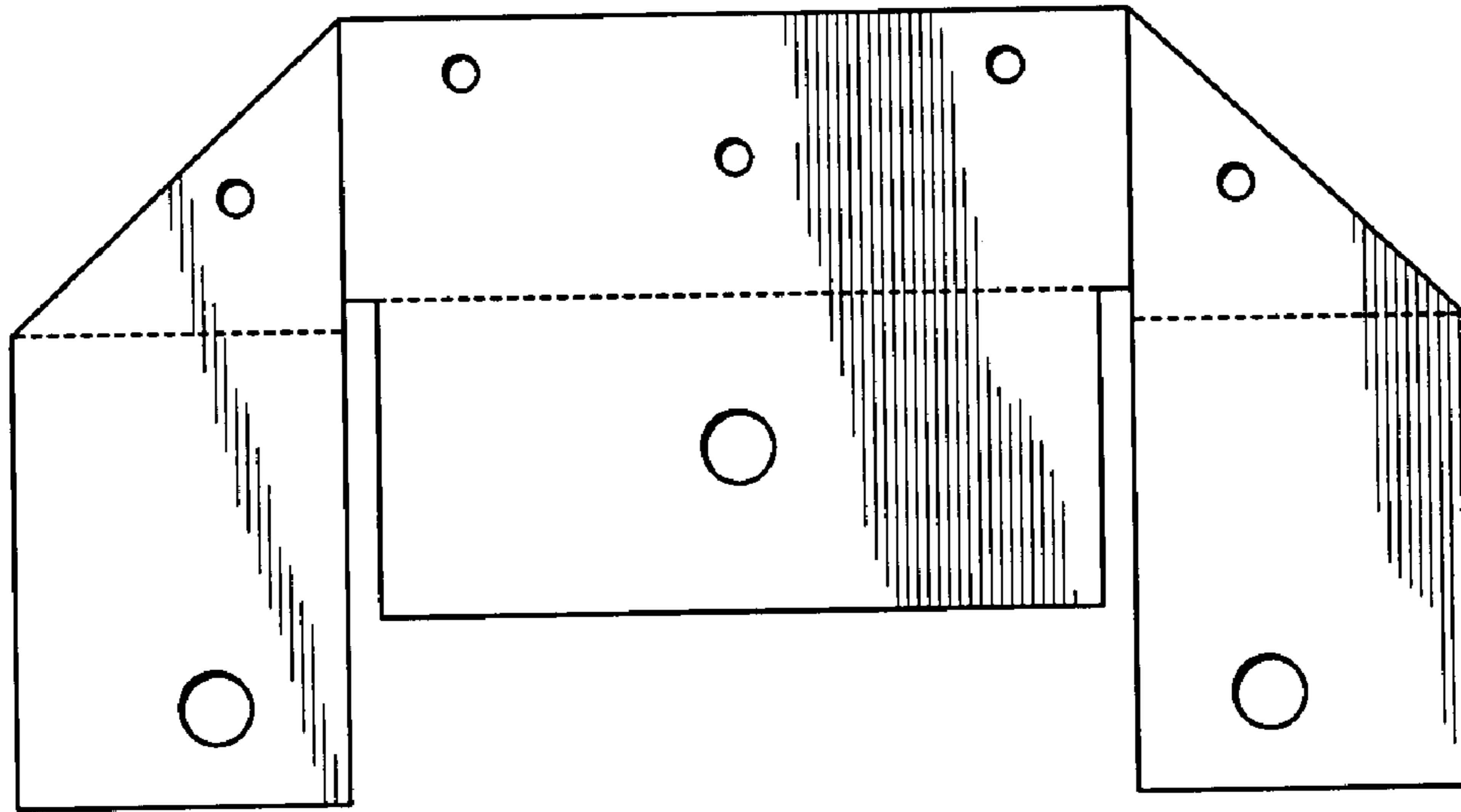


Fig. 1

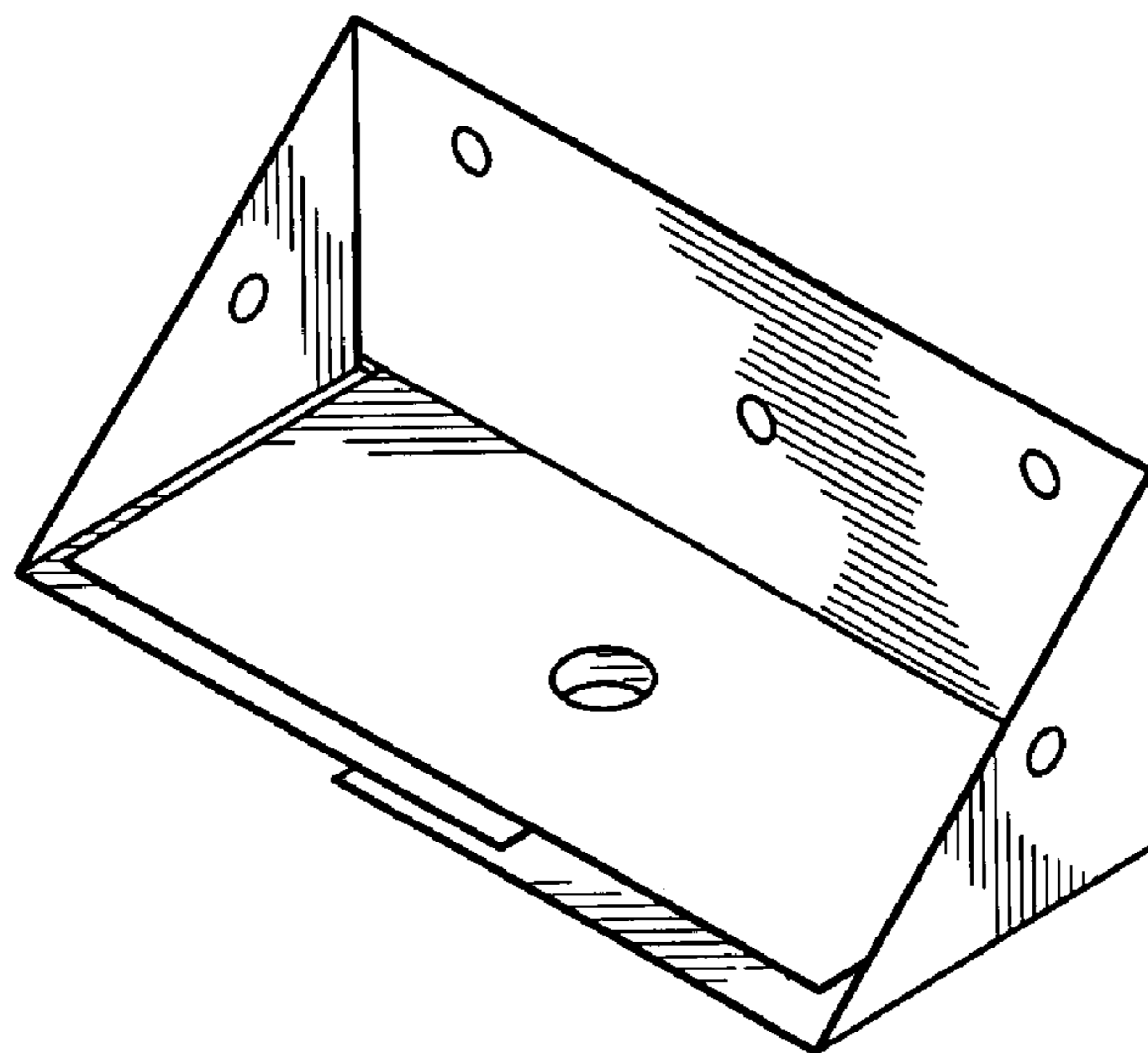


Fig. 2

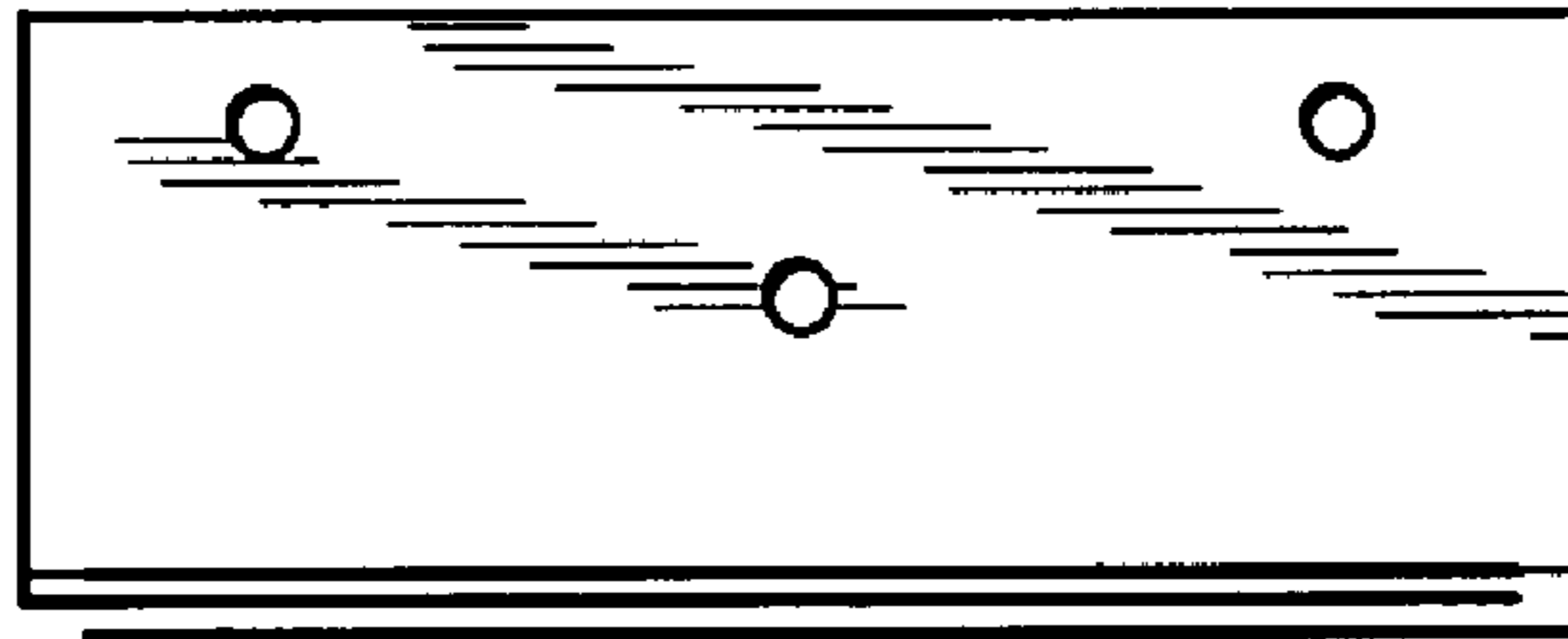


Fig. 3

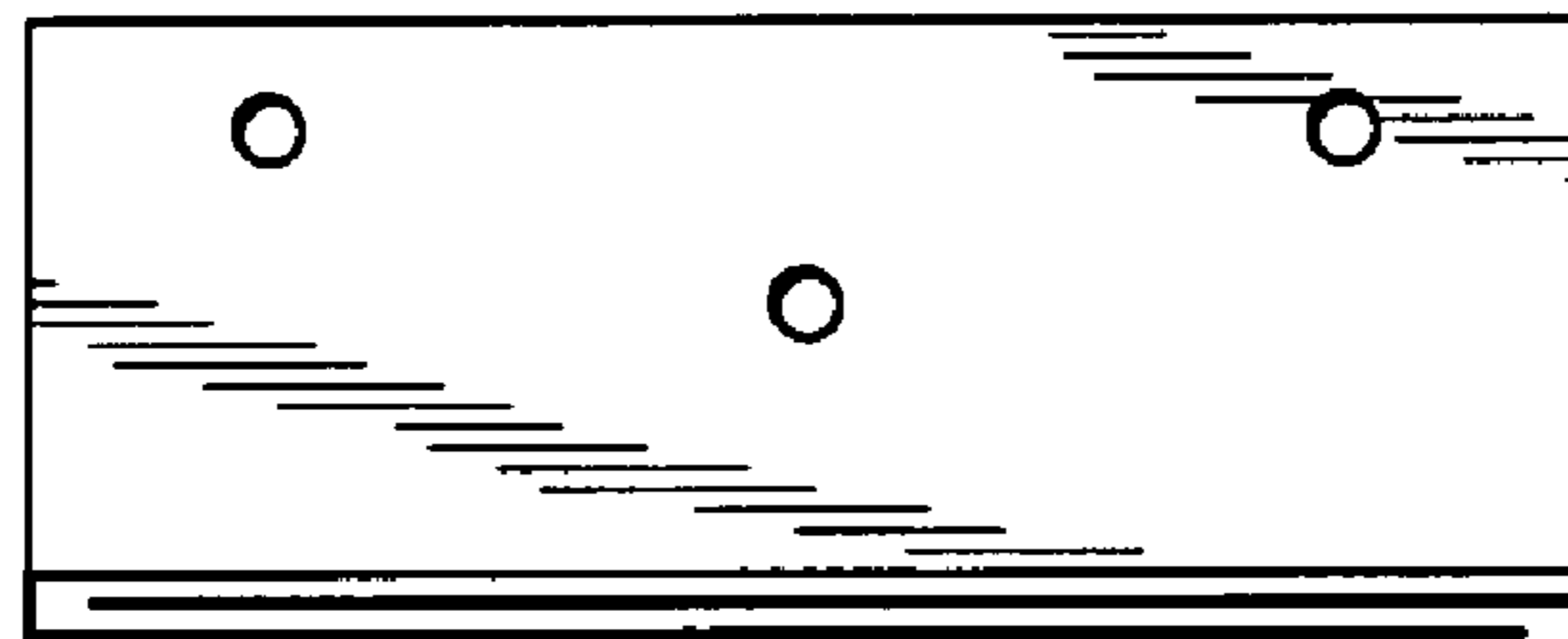


Fig. 4

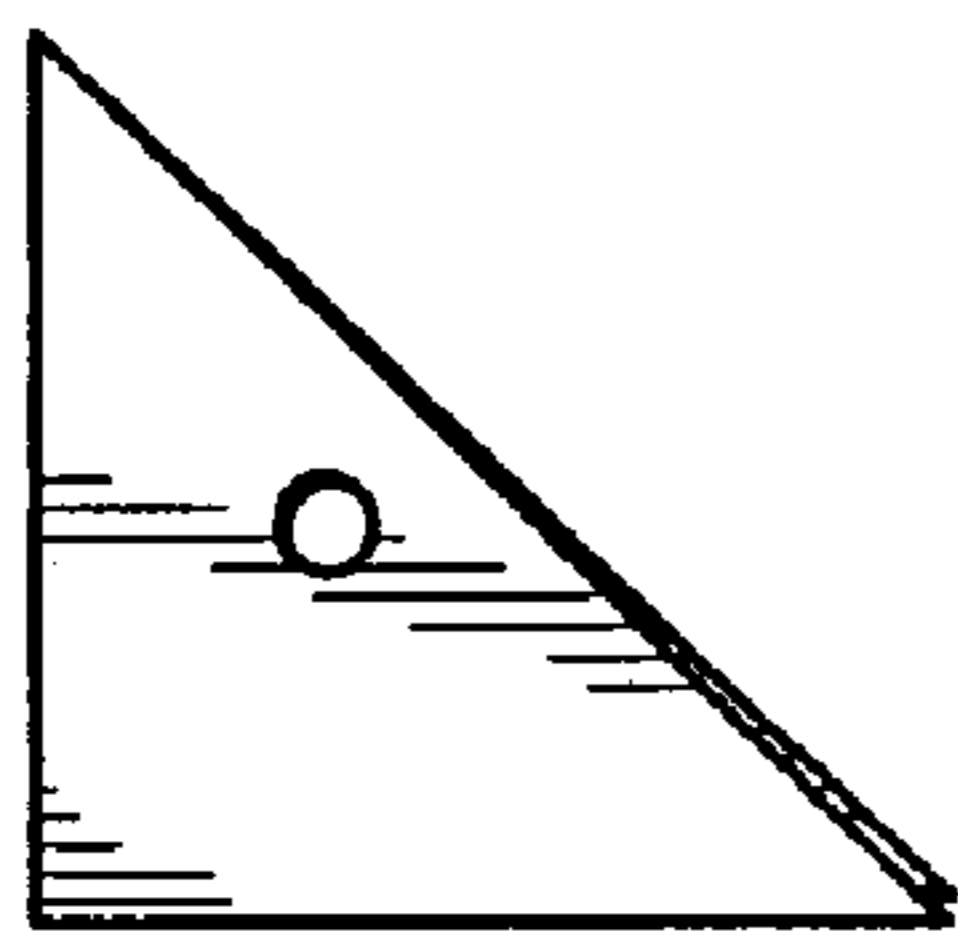


Fig. 5

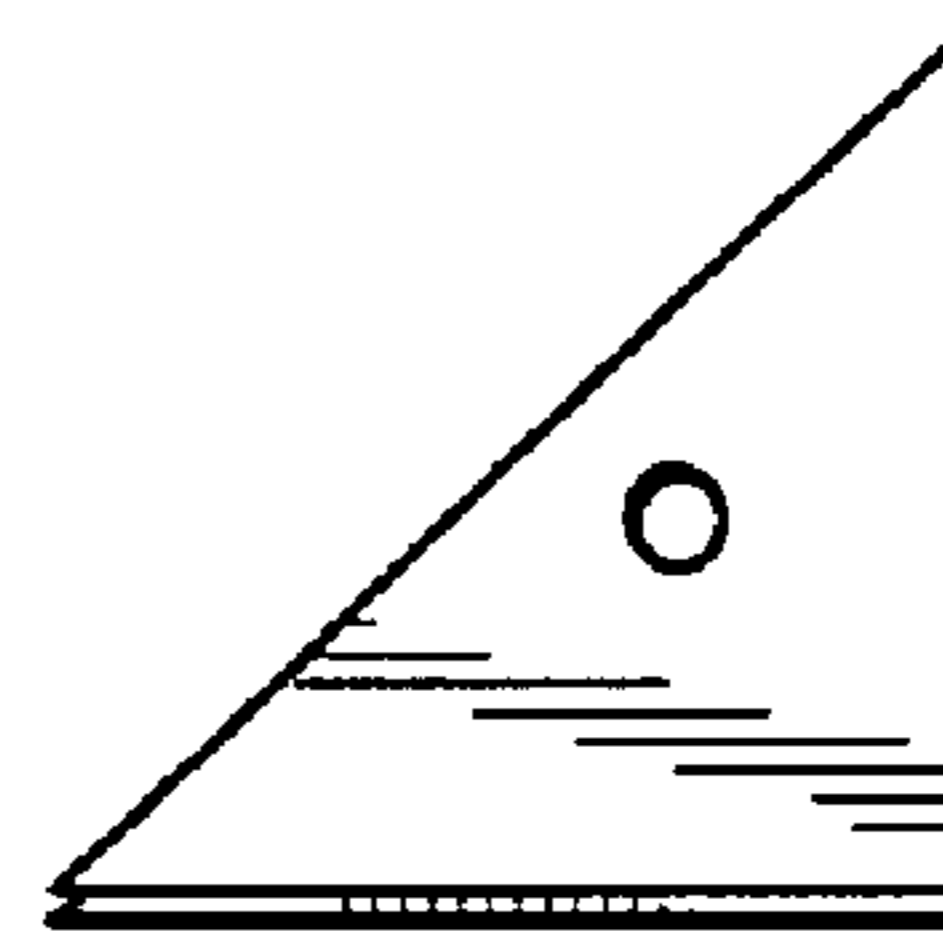


Fig. 6

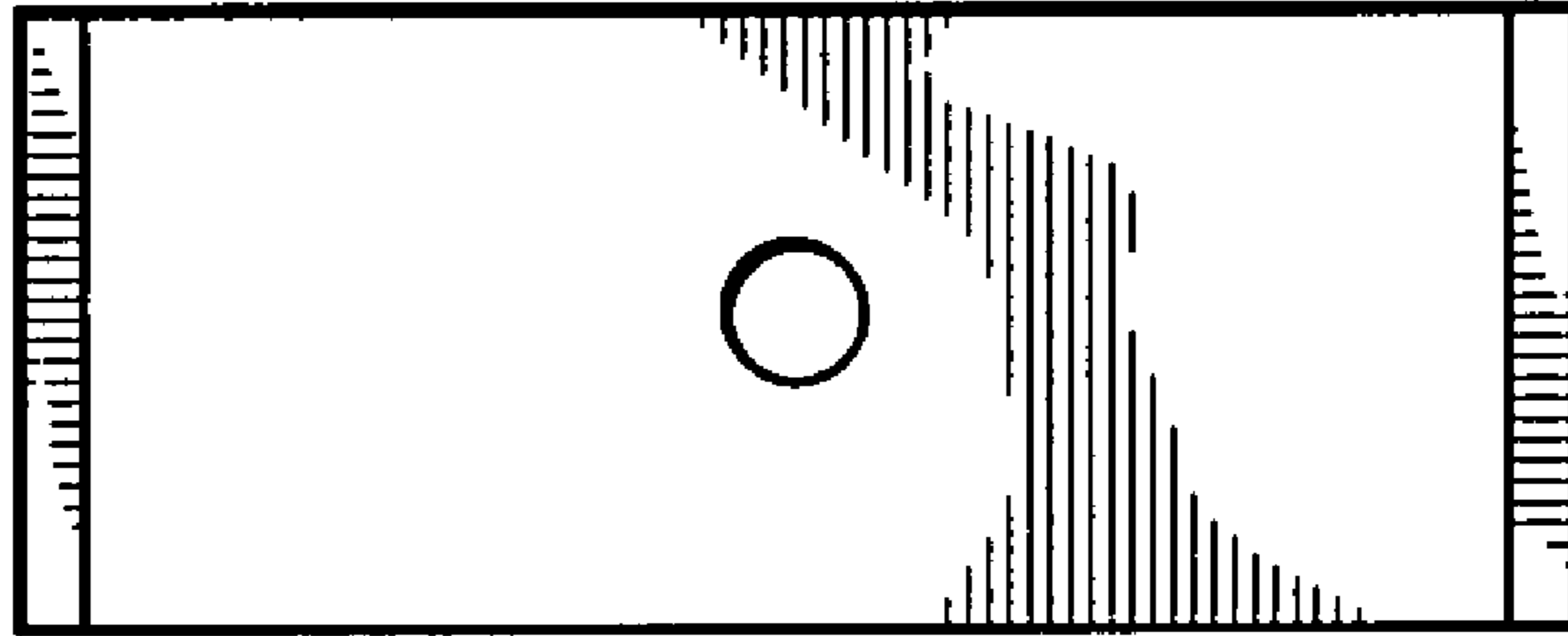


Fig. 7

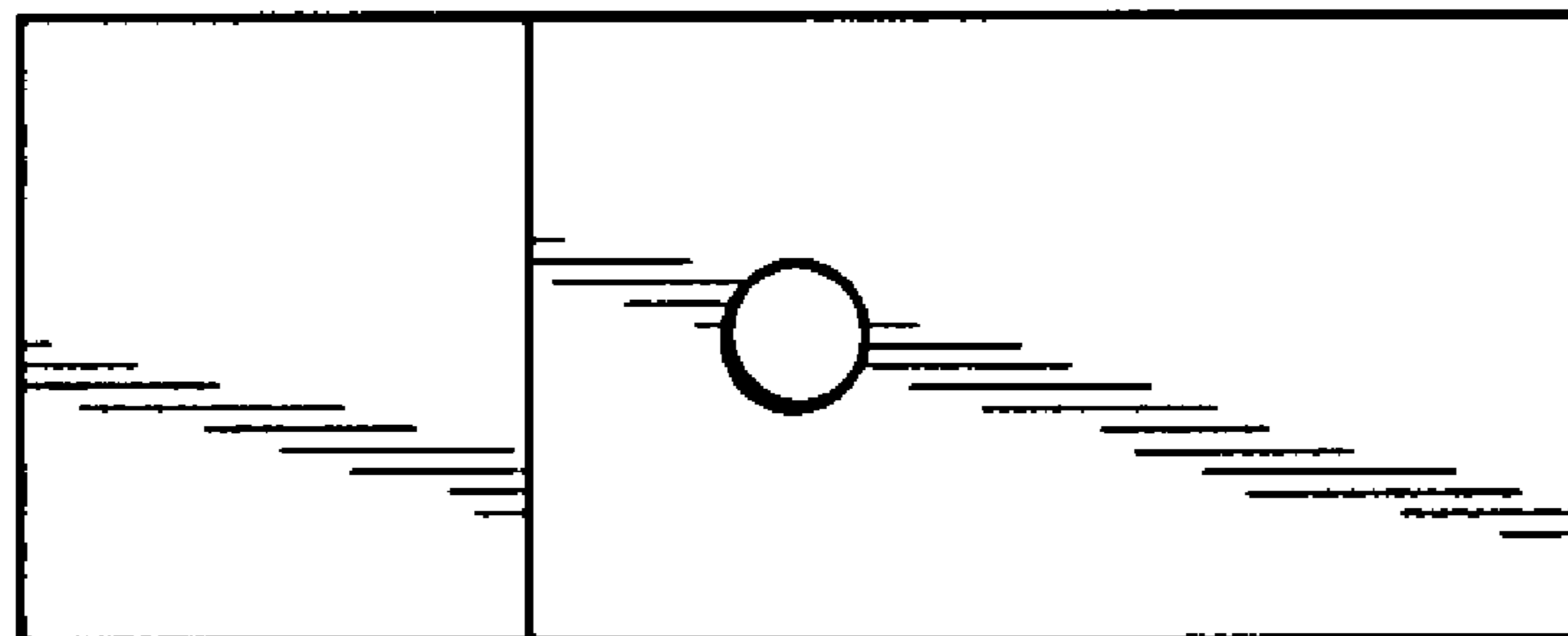


Fig. 8