



US00D574695S

(12) **United States Design Patent**
Krumpe

(10) **Patent No.:** **US D574,695 S**

(45) **Date of Patent:** **** Aug. 12, 2008**

(54) **PULL**

(75) **Inventor:** **Geraint Krumpe**, Chicago, IL (US)

(73) **Assignee:** **Liberty Hardware Mfg. Corp.**,
Winston-Salem, NC (US)

(**) **Term:** **14 Years**

(21) **Appl. No.:** **29/291,730**

(22) **Filed:** **Sep. 12, 2007**

(51) **LOC (8) Cl.** **08-06**

(52) **U.S. Cl.** **D8/316**

(58) **Field of Classification Search** D8/300,
D8/302, 305, 311–321, DIG. 1, DIG. 2, DIG. 10;
D7/393, 394; D3/318; D6/549, 524, 533,
D6/550; D23/250–254, 303, 305; D15/89;
292/347, 336.3; 211/16, 182; 220/752–754;
16/441, 118, 110 R, 111 R, DIG. 19, DIG. 30,
16/110.1, 412, 414–420, 443–446

See application file for complete search history.

(56) **References Cited**

U.S. PATENT DOCUMENTS

D24,782 S *	10/1895	Hirsh	D8/318
D100,034 S *	6/1936	McCormick	D8/318
D139,316 S *	10/1944	Prooyen	D8/318
D186,811 S *	12/1959	Hillgren	D8/316
D194,968 S *	4/1963	Stelma	D8/317
D204,541 S *	4/1966	Kawaguchi et al.	D8/317
D205,349 S *	7/1966	Clayton	D8/316
D208,689 S *	9/1967	Morgan	D8/317
D231,323 S *	4/1974	James	D8/318
D246,950 S *	1/1978	Palm, Jr.	D8/316
D267,774 S *	2/1983	Pittenger	D8/317
D272,800 S *	2/1984	Pawlow	D8/318
D274,035 S *	5/1984	Pawlow	D8/316
D295,827 S *	5/1988	Benjamin	D8/317
D297,505 S *	9/1988	Mosch	D8/317
D315,488 S *	3/1991	Tremonti	D8/316
D316,805 S *	5/1991	Paulson et al.	D8/319
D316,807 S *	5/1991	Paulson et al.	D8/319
D319,772 S *	9/1991	Mosch	D8/319

D326,991 S *	6/1992	Bishop	D8/317
D326,992 S *	6/1992	Clayton	D8/317
D326,994 S *	6/1992	Bishop	D8/318
D327,196 S *	6/1992	Crook et al.	D6/549
D333,082 S *	2/1993	Bocade et al.	D8/317
D342,436 S *	12/1993	Cook et al.	D8/317
D344,007 S *	2/1994	Jans	D8/316
D355,835 S *	2/1995	Chieda	D8/305
D355,839 S *	2/1995	Chieda	D8/317
D356,724 S *	3/1995	Chieda	D8/305
D357,168 S *	4/1995	Chieda	D8/315
D361,495 S *	8/1995	Warshawsky	D8/316
D361,496 S *	8/1995	Chieda	D8/317
D361,498 S *	8/1995	Chieda	D8/317
D361,707 S *	8/1995	Chieda	D8/305
D367,217 S *	2/1996	Hollingsworth- Ainscough	D8/318
D368,641 S *	4/1996	Chieda	D8/317
D368,642 S *	4/1996	Chieda	D8/317
D368,643 S *	4/1996	Sonnenleiter	D8/317
D368,644 S *	4/1996	Bishop	D8/317
D368,842 S *	4/1996	Sonnenleiter	D8/317
D368,843 S *	4/1996	Chieda	D8/317

(Continued)

Primary Examiner—Stella M. Reid

Assistant Examiner—Mark A Goodwin

(74) *Attorney, Agent, or Firm*—Edgar A. Zarins; Lloyd D. Doigan

(57) **CLAIM**

The ornamental design for a pull, as shown and described.

DESCRIPTION

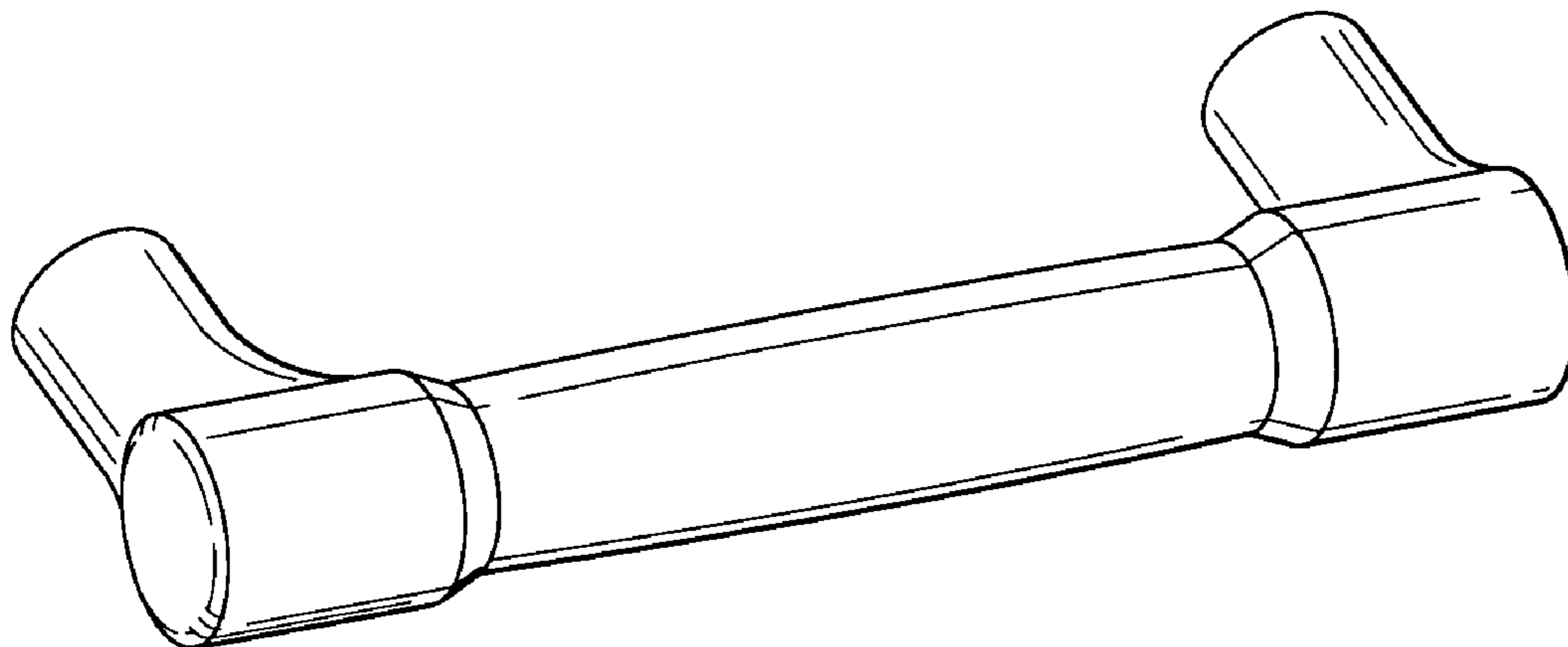
FIG. 1 is a front side perspective view of a pull showing my new design;

FIG. 2 is a side view thereof, the opposite side being a mirror image of the side shown;

FIG. 3 is a front elevational view thereof; and,

FIG. 4 is an end view thereof, the opposite end being a mirror image of the end shown.

1 Claim, 1 Drawing Sheet



US D574,695 S

Page 2

U.S. PATENT DOCUMENTS

D369,289 S *	4/1996	Caugh et al.	D8/317	D431,445 S *	10/2000	Short	D8/316
D372,414 S *	8/1996	De'Armond	D8/317	D431,996 S *	10/2000	Short	D8/316
D372,659 S *	8/1996	De'Armond	D8/317	D434,963 S *	12/2000	Short	D8/316
D373,067 S *	8/1996	De'Armond	D8/317	D435,426 S *	12/2000	Short	D8/316
D377,445 S *	1/1997	Caugh et al.	D8/317	D437,202 S *	2/2001	O'Neil	D8/317
D381,252 S *	7/1997	Chieda	D8/317	D449,215 S *	10/2001	Bertani	D8/316
D388,272 S *	12/1997	Moore	D6/549	D450,999 S *	11/2001	Dewald et al.	D8/317
D399,117 S *	10/1998	Burns et al.	D8/317	D451,782 S *	12/2001	Dewald	D8/317
D399,406 S *	10/1998	Decursu et al.	D8/317	D470,742 S *	2/2003	Fields	D8/316
D399,407 S *	10/1998	Burns et al.	D8/317	D471,074 S *	3/2003	Fields	D8/315
D401,835 S *	12/1998	Burns et al.	D8/317	D498,406 S *	11/2004	Adler	D8/316
D403,230 S *	12/1998	Ziemer et al.	D8/317	D505,312 S *	5/2005	Bacon	D8/316
D403,571 S *	1/1999	Burns et al.	D8/317	D505,611 S *	5/2005	Daniel et al.	D8/315
D406,745 S *	3/1999	Burns et al.	D8/317	D511,672 S *	11/2005	Fields	D8/317
D409,867 S *	5/1999	Sweetman	D6/523	D512,298 S *	12/2005	Fields	D8/317
D411,794 S *	7/1999	O'Neil	D8/305	D513,961 S *	1/2006	Fields	D8/317
D418,803 S *	1/2000	Klimenko	D12/316	D552,447 S *	10/2007	Krumpe et al.	D8/316
D422,878 S *	4/2000	Marshall et al.	D8/317	D552,958 S *	10/2007	Krumpe et al.	D8/316
D423,854 S *	5/2000	Roth et al.	D6/549	D553,943 S *	10/2007	Jou	D8/305
D431,444 S *	10/2000	Short	D8/316	D553,944 S *	10/2007	Jou	D8/316
				D564,854 S *	3/2008	Thompson	D8/300

* cited by examiner

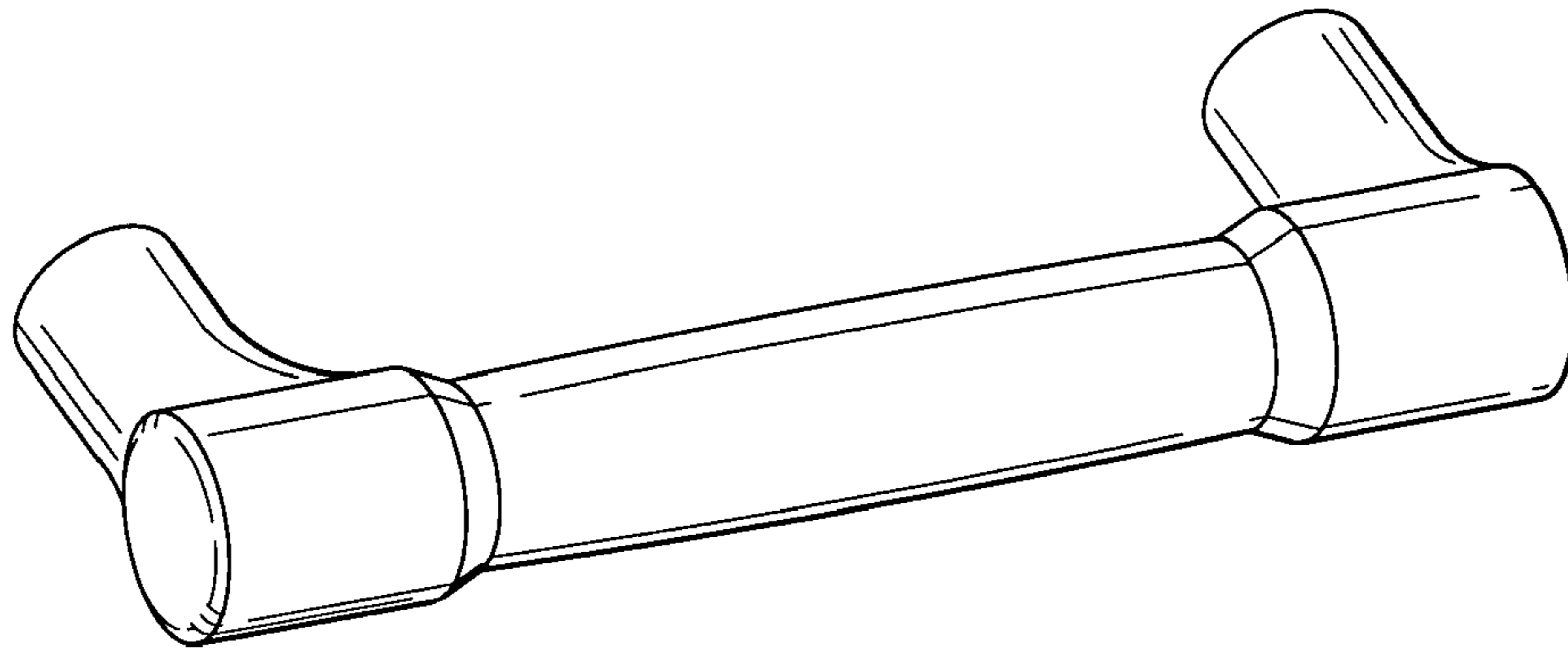


Fig-1

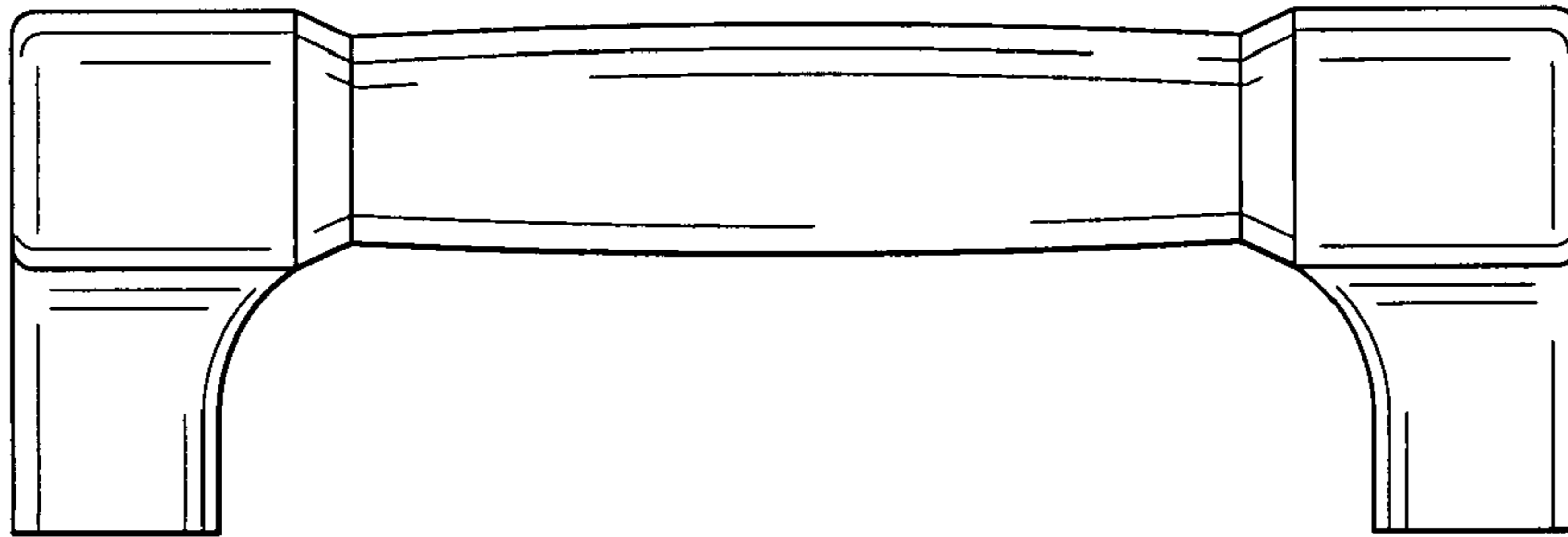


Fig-2

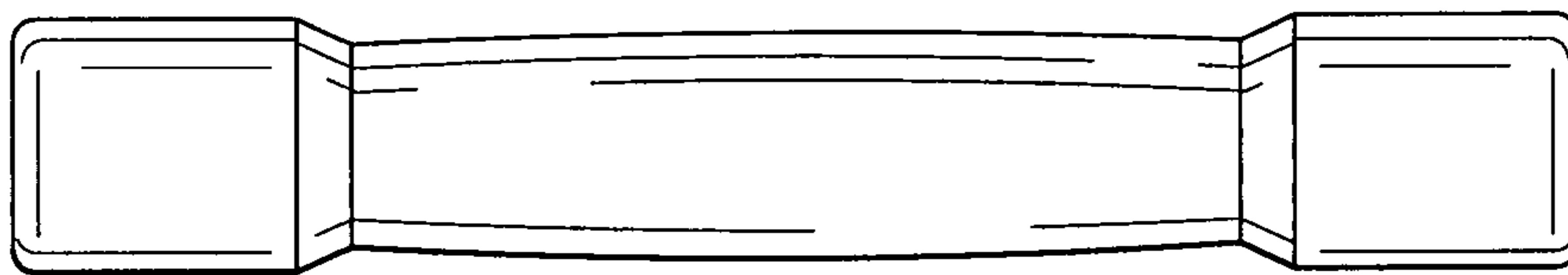


Fig-3

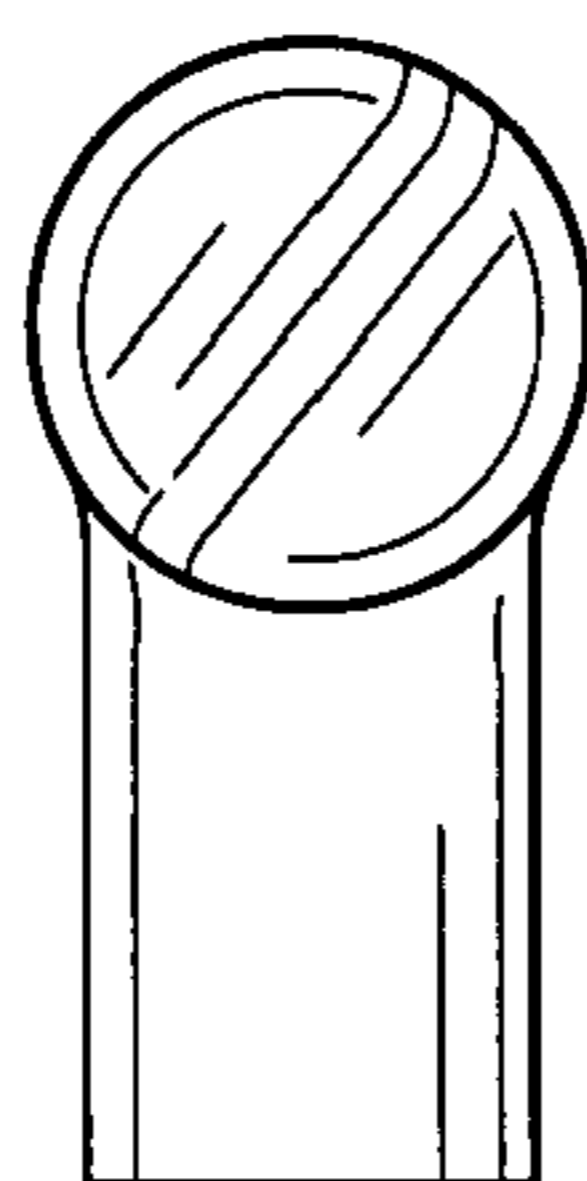


Fig-4