



US00D574691S

(12) **United States Design Patent**  
**Ping**

(10) **Patent No.:** **US D574,691 S**

(45) **Date of Patent:** **\*\* Aug. 12, 2008**

(54) **FOLDABLE KNIFE**

D541,128 S \* 4/2007 Farland ..... D8/99  
D546,158 S \* 7/2007 Ping ..... D8/99  
D552,955 S \* 10/2007 Ping ..... D8/99

(75) Inventor: **Qiu Jian Ping**, Hangzhou (CN)

(73) Assignee: **Great Neck Saw Manufacturers, Inc.**,  
Mineola, NY (US)

\* cited by examiner

*Primary Examiner*—Philip S Hyder

(74) *Attorney, Agent, or Firm*—Joseph J. Previto

(\*\*) Term: **14 Years**

(21) Appl. No.: **29/268,987**

(57) **CLAIM**

(22) Filed: **Nov. 17, 2006**

The ornamental design of a foldable knife, as shown and described.

(51) **LOC (8) Cl.** ..... **08-03**

(52) **U.S. Cl.** ..... **D8/99**

(58) **Field of Classification Search** ..... D8/98,  
D8/99, 100, 105, 107; 30/155, 156, 157,  
30/158, 159, 160, 161, 162, 329, 330, 331  
See application file for complete search history.

**DESCRIPTION**

FIG. 1 is a perspective view of my new design.

FIG. 2 is a top view thereof.

FIG. 3 is a side view thereof.

FIG. 4 is another side view thereof.

FIG. 5 is a bottom view thereof.

FIG. 6 is a front view thereof; and,

FIG. 7 is a rear view thereof.

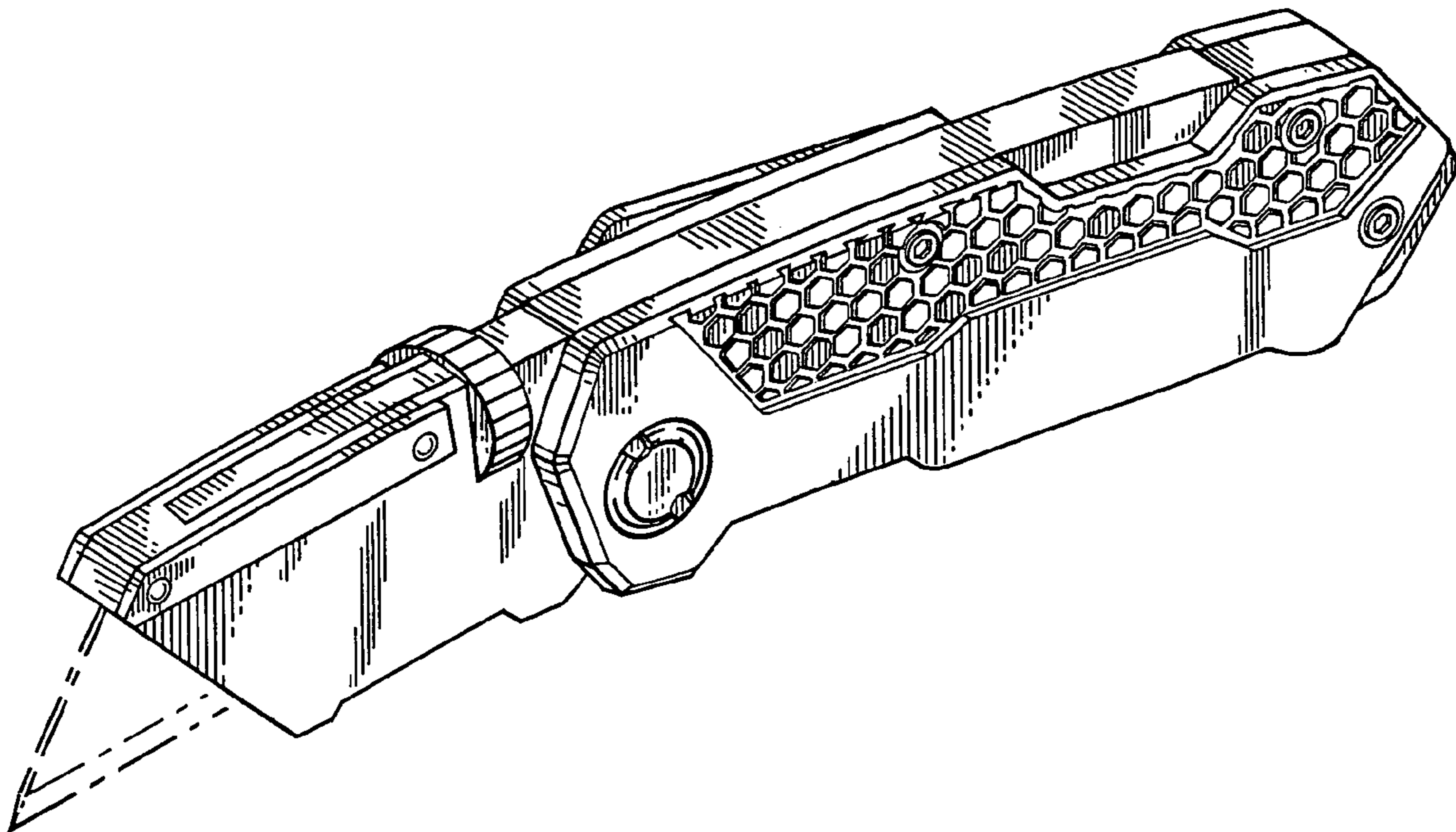
The broken line showing of the blade holder is included for the purpose of illustrating environmental structure and forms no part of the claimed design.

(56) **References Cited**

**U.S. PATENT DOCUMENTS**

6,688,003 B2 *	2/2004	Scarla	.....	30/156
D494,437 S *	8/2004	Scarla	.....	D8/99
D501,782 S *	2/2005	Ping	.....	D8/99
D516,403 S *	3/2006	Ping	.....	D8/99
D519,817 S *	5/2006	Wong	.....	D8/99
D522,835 S *	6/2006	Ping	.....	D8/99
D526,878 S *	8/2006	Ping	.....	D8/99

**1 Claim, 4 Drawing Sheets**



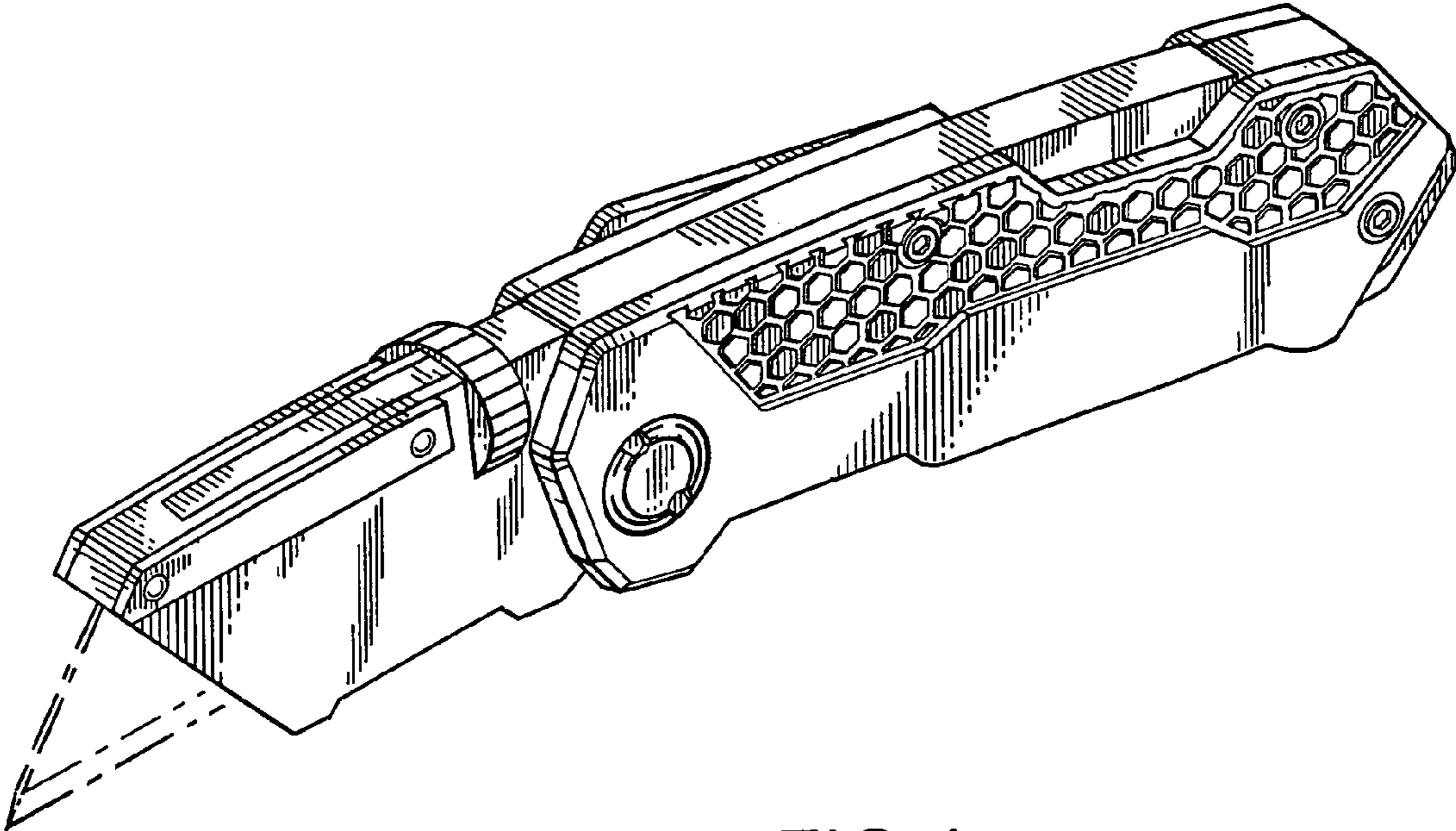


FIG.1

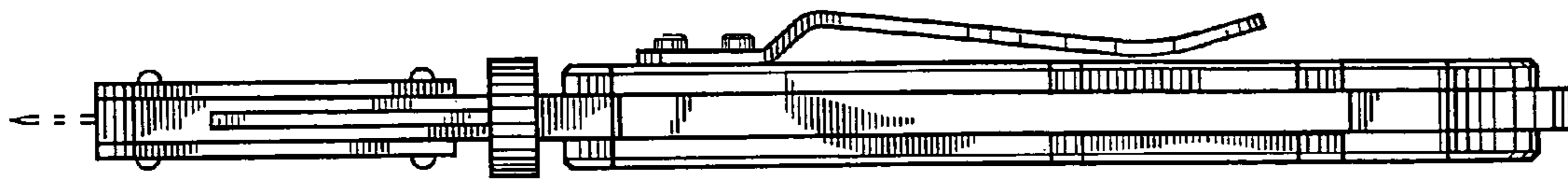


FIG.2

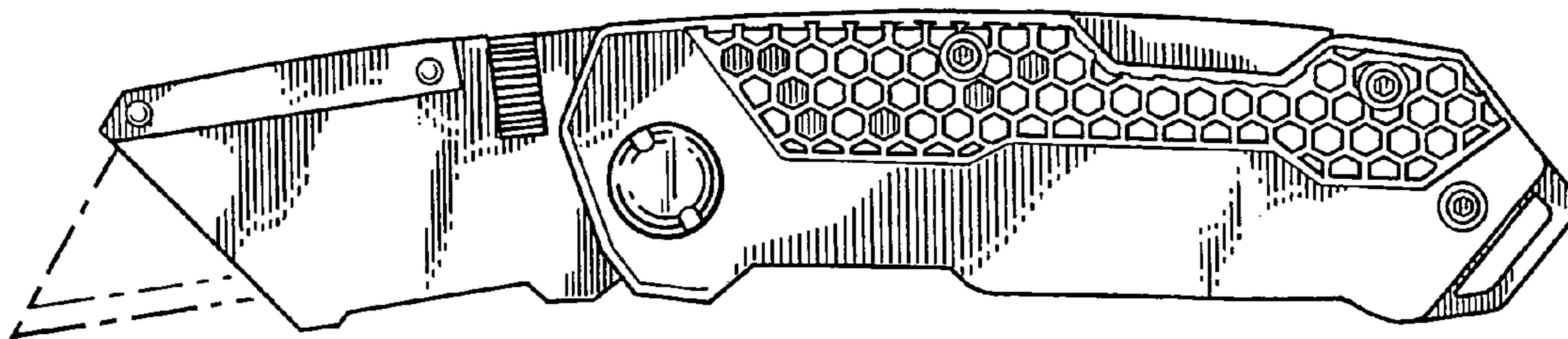


FIG.3

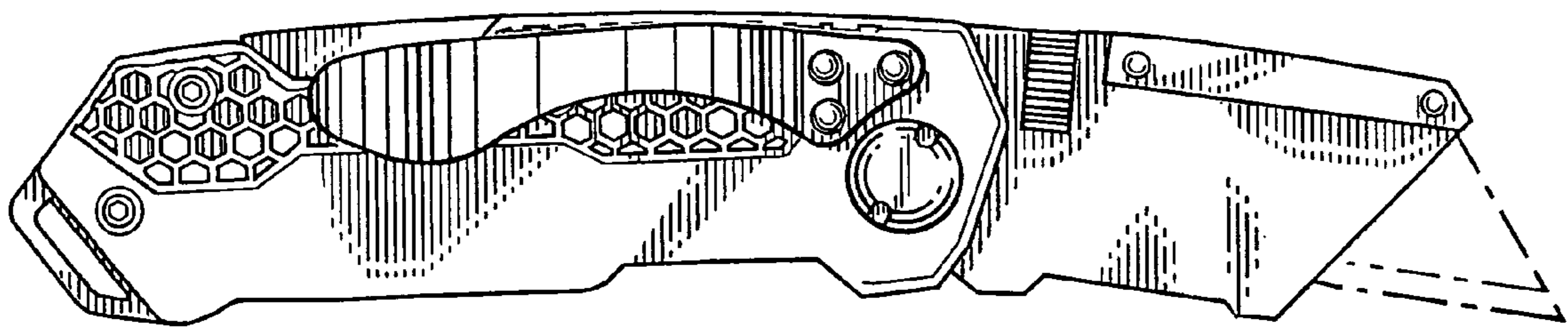


FIG. 4

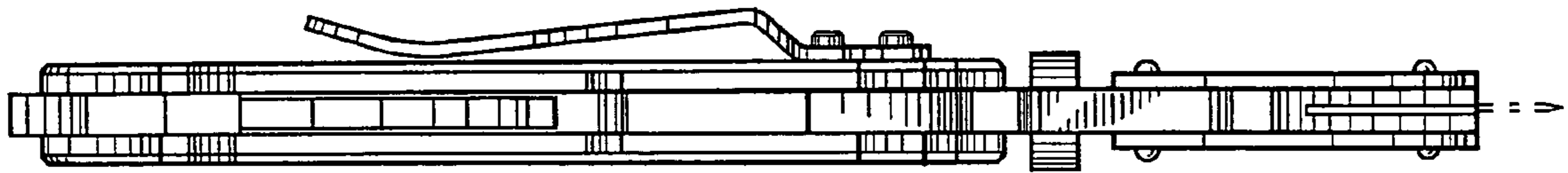


FIG. 5

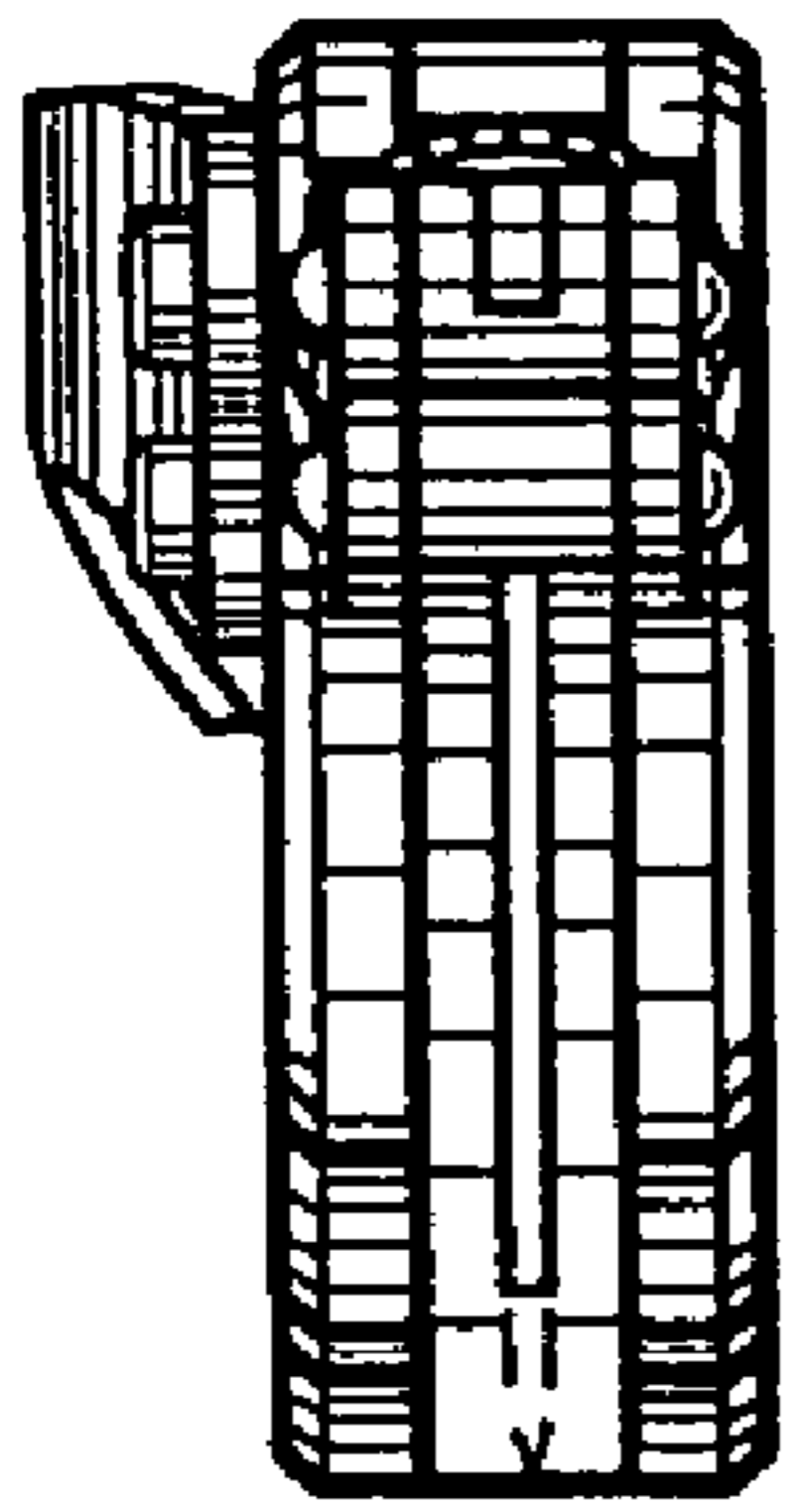


FIG. 6

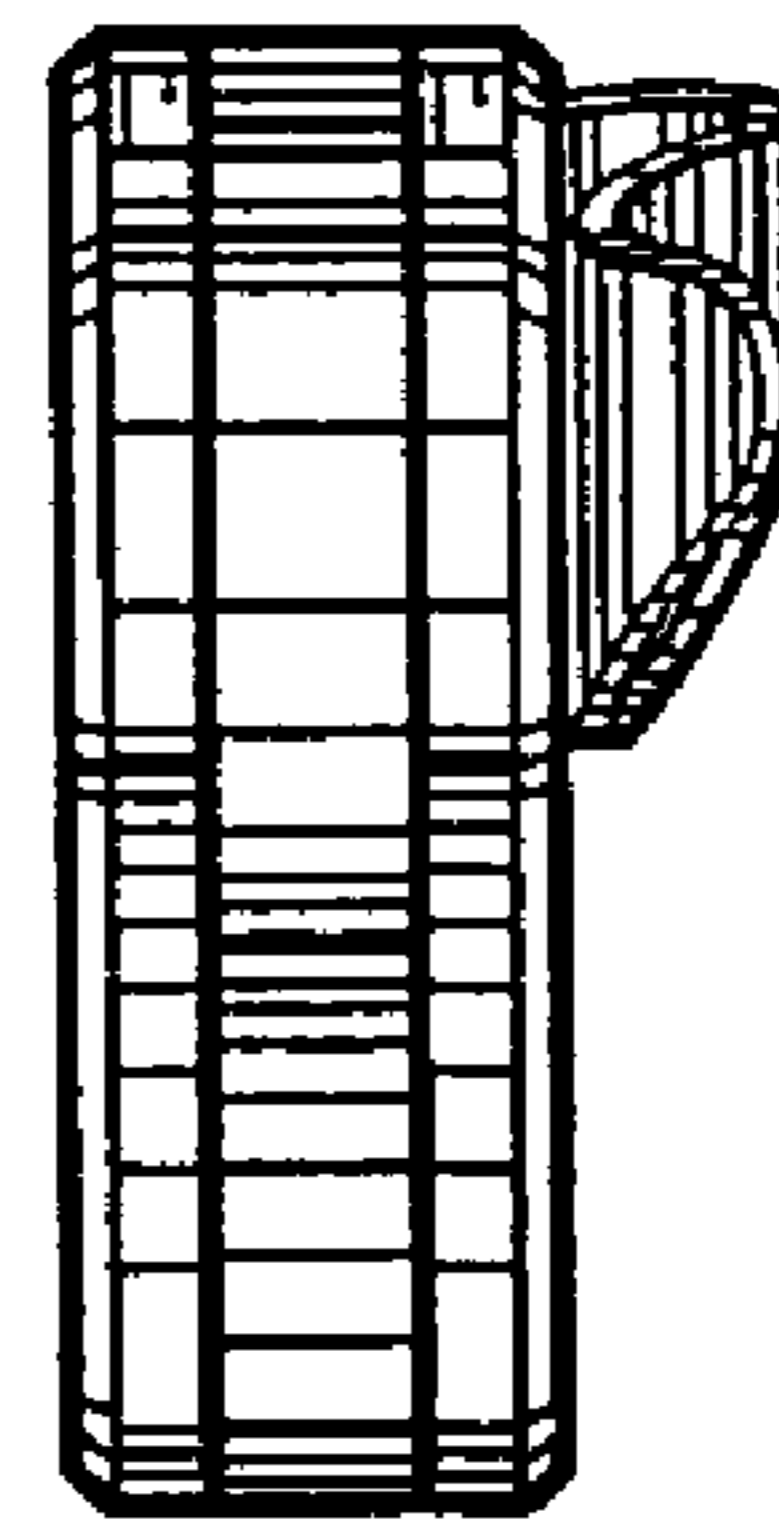


FIG. 7