



US00D574690S

(12) **United States Design Patent**
Chen

(10) **Patent No.:** **US D574,690 S**

(45) **Date of Patent:** **** Aug. 12, 2008**

(54) **SLEDGE HAMMER HEAD**

(76) Inventor: **Yung-Shou Chen**, 2F-1, No. 51, Sec. 3,
Chung Yang Rd., Chung Ho Tsuen,
Long-Ching Town, Taichung Hsien (TW)

(**) Term: **14 Years**

(21) Appl. No.: **29/283,196**

(22) Filed: **Aug. 8, 2007**

(51) **LOC (8) Cl.** **08-02**

(52) **U.S. Cl.** **D8/78; D8/77**

(58) **Field of Classification Search** D8/1,
D8/14, 75, 76, 77, 78, 79, 80, 81; 81/20,
81/21, 22, 19; 7/144, 145, 146, 147; 30/308.1
See application file for complete search history.

(56) **References Cited**

U.S. PATENT DOCUMENTS

3,128,131	A *	4/1964	Bianchini	403/248
D257,826	S *	1/1981	Jones	D8/78
D264,931	S *	6/1982	Jones	D8/78
D266,141	S *	9/1982	Nannen	D8/76
4,683,784	A *	8/1987	Lamont	81/22
5,248,002	A *	9/1993	Williams	173/1
D350,889	S *	9/1994	Frierman	D8/78
5,758,552	A *	6/1998	Myers et al.	81/20
D490,679	S *	6/2004	Hung	D8/77
D519,814	S *	5/2006	Hung	D8/78
D521,842	S *	5/2006	Hung	D8/78

D530,582	S *	10/2006	Sleiman	D8/77
D532,272	S *	11/2006	Chen	D8/78
D546,142	S *	7/2007	Christensen et al.	D8/1
D564,323	S *	3/2008	Zubiaurre Alberdi et al.	..	D8/78

* cited by examiner

Primary Examiner—Philip S Hyder

(74) *Attorney, Agent, or Firm*—Pai Patent & Trademark LAW
FIRM; Chao-Chang David Pai

(57) **CLAIM**

The ornamental design for a sledge hammer head, as shown and described.

DESCRIPTION

FIG. 1 is a left perspective view of a sledge hammer head, showing my new design;

FIG. 2 is a right perspective view thereof;

FIG. 3 is a front elevational view thereof, the rear elevational view being a mirror image of the front elevational view;

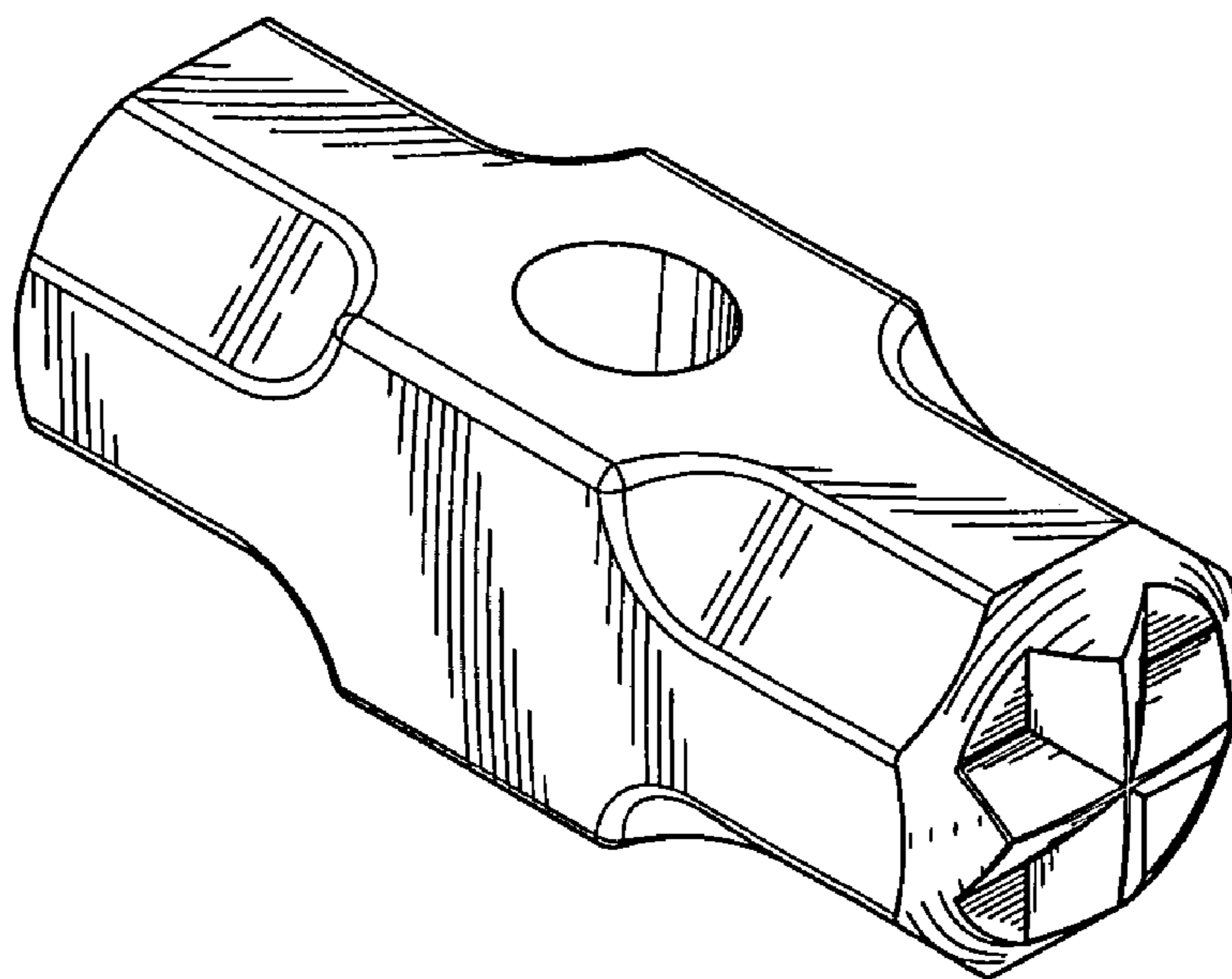
FIG. 4 is a left side elevational view thereof;

FIG. 5 is a right side elevational view thereof;

FIG. 6 is a top plan view thereof; and,

FIG. 7 is a left perspective view thereof, shown in assembly with a handle, wherein the handle is shown in broken lines for illustrative purposes only and forms no part of the claimed design.

1 Claim, 3 Drawing Sheets



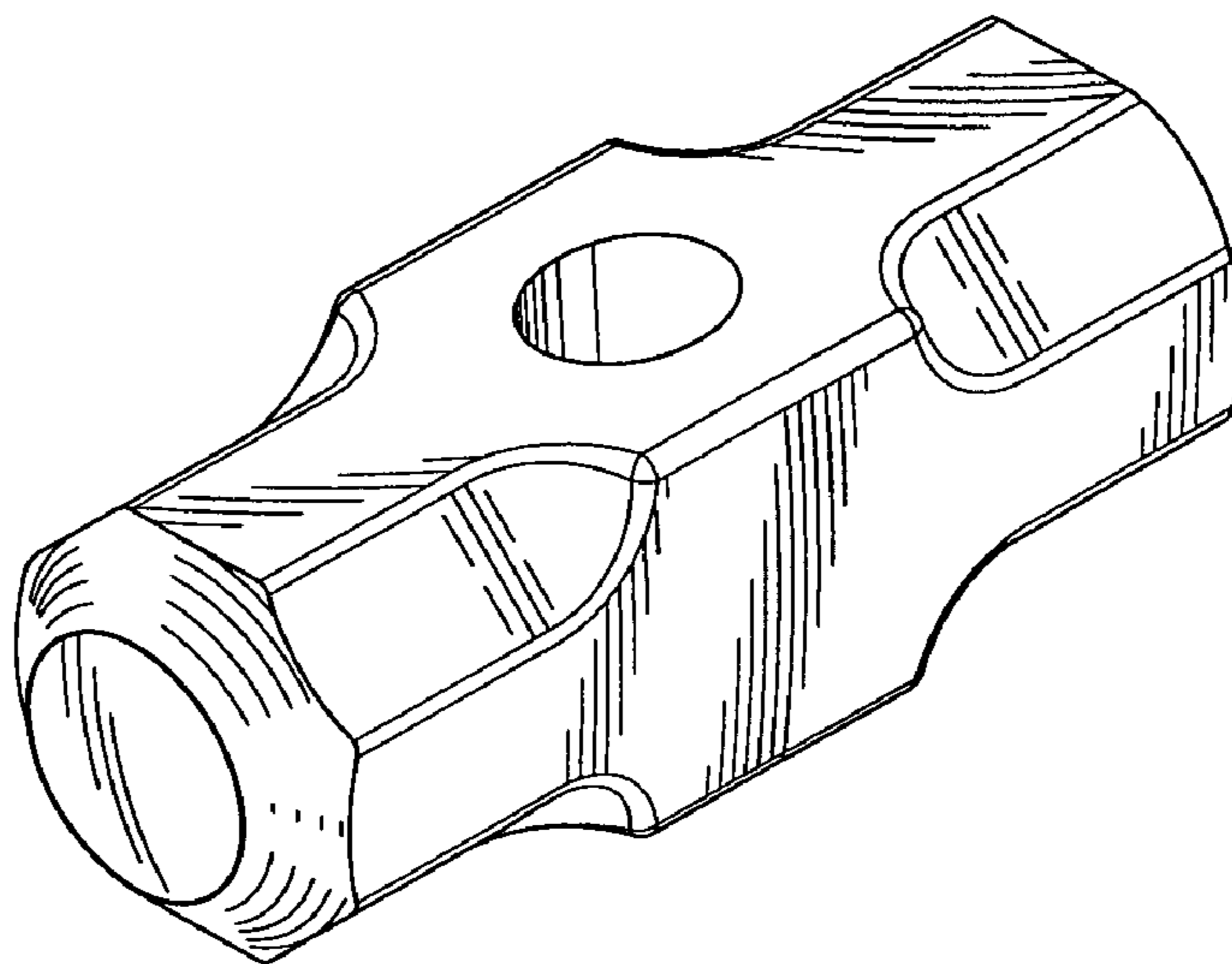


FIG. 1

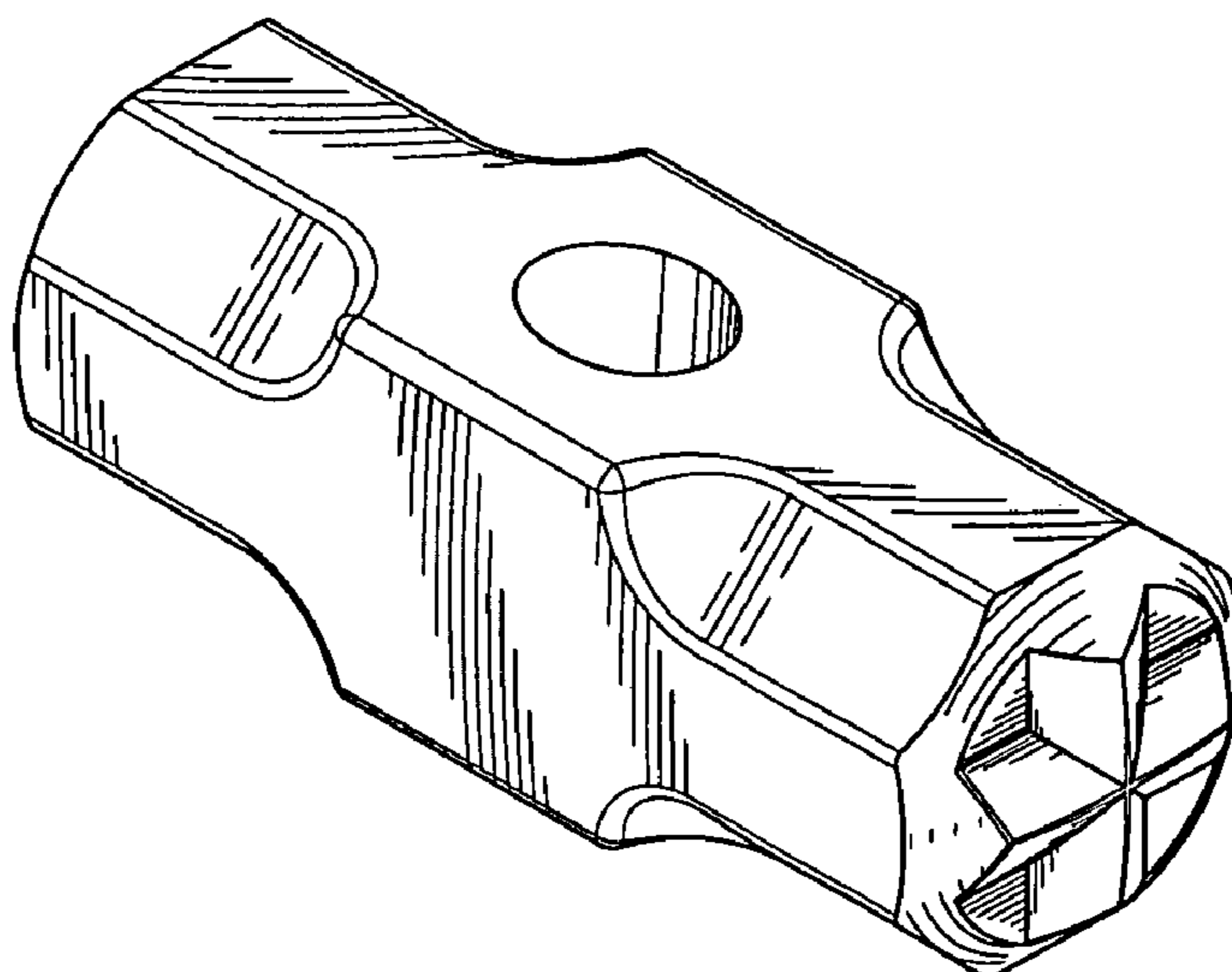


FIG. 2

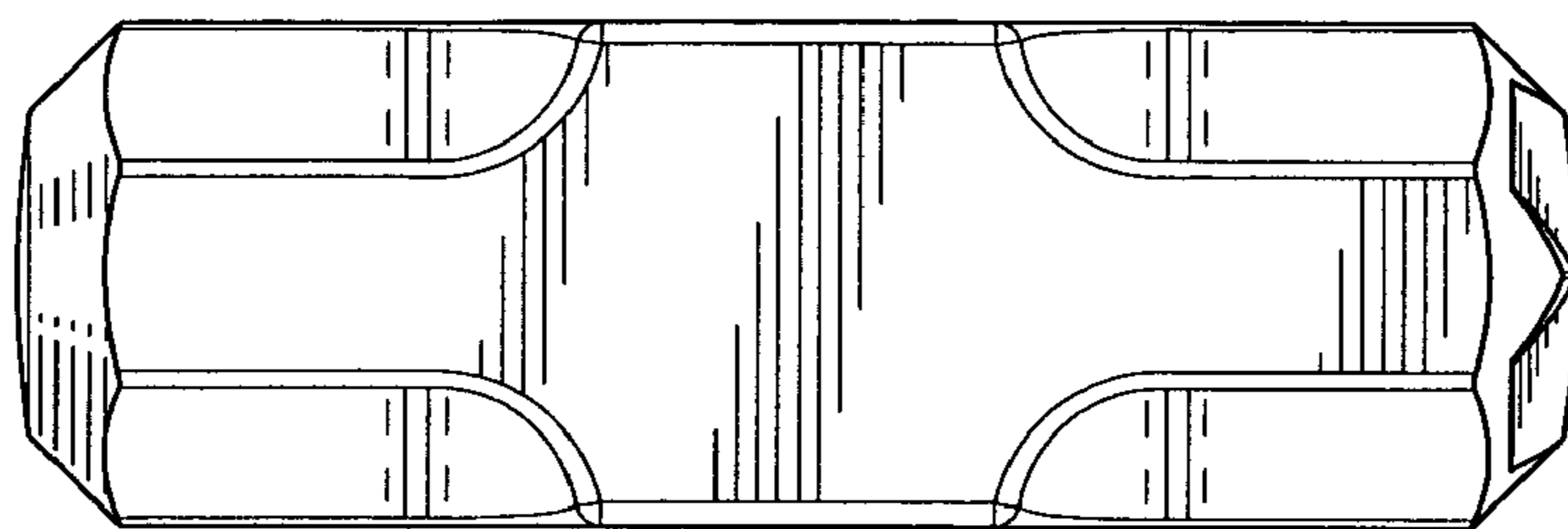


FIG. 3

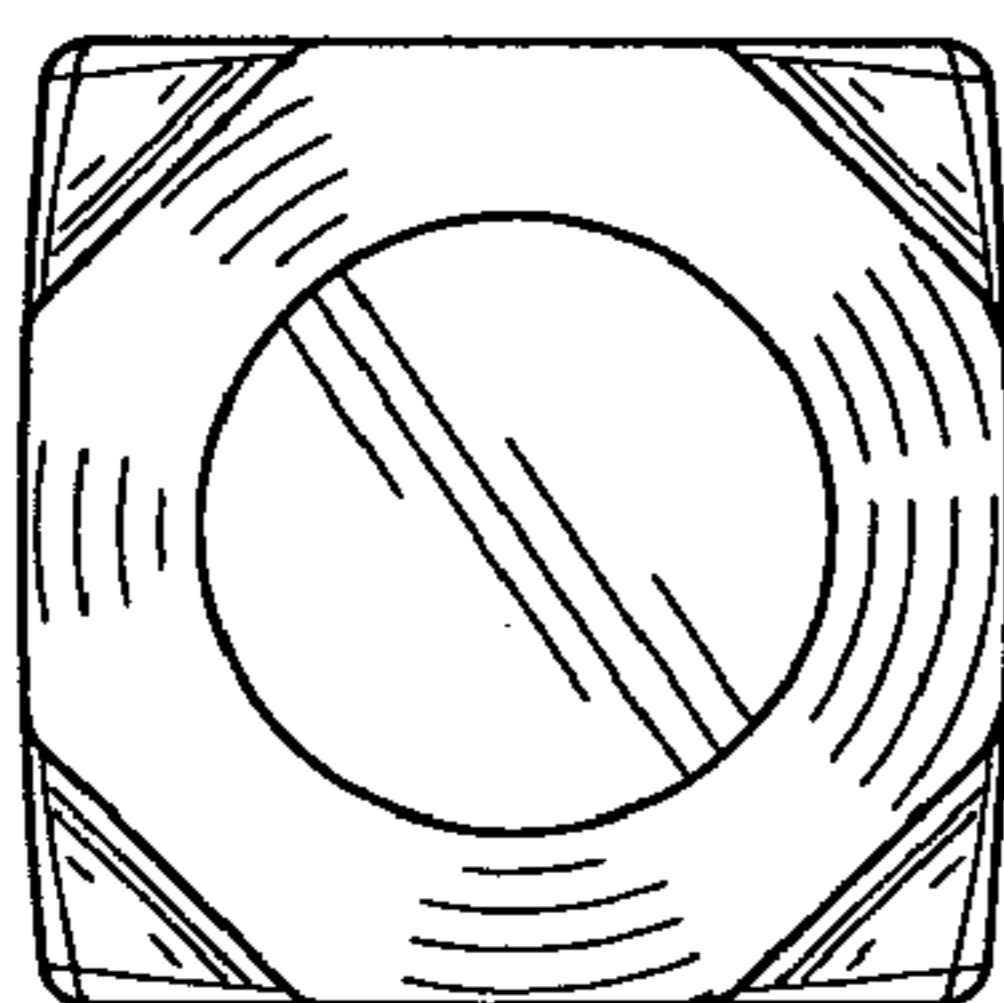


FIG. 4

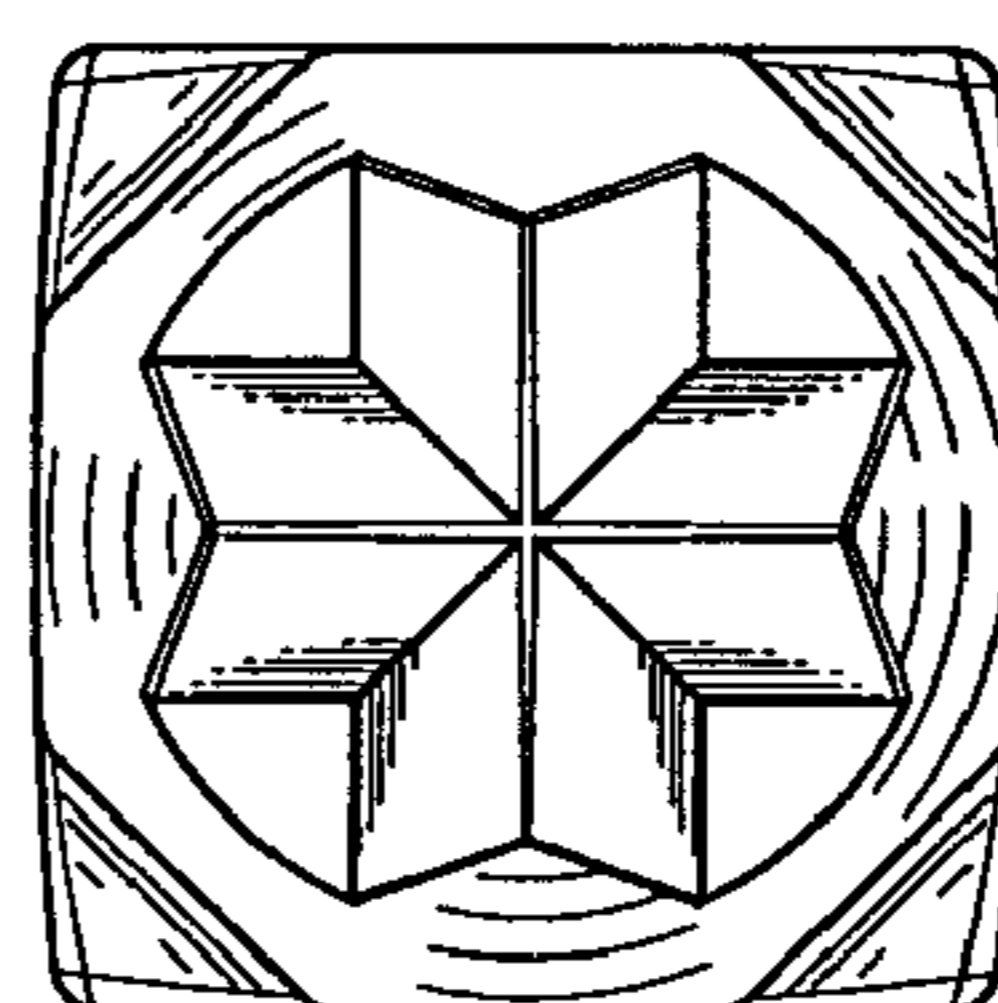


FIG. 5

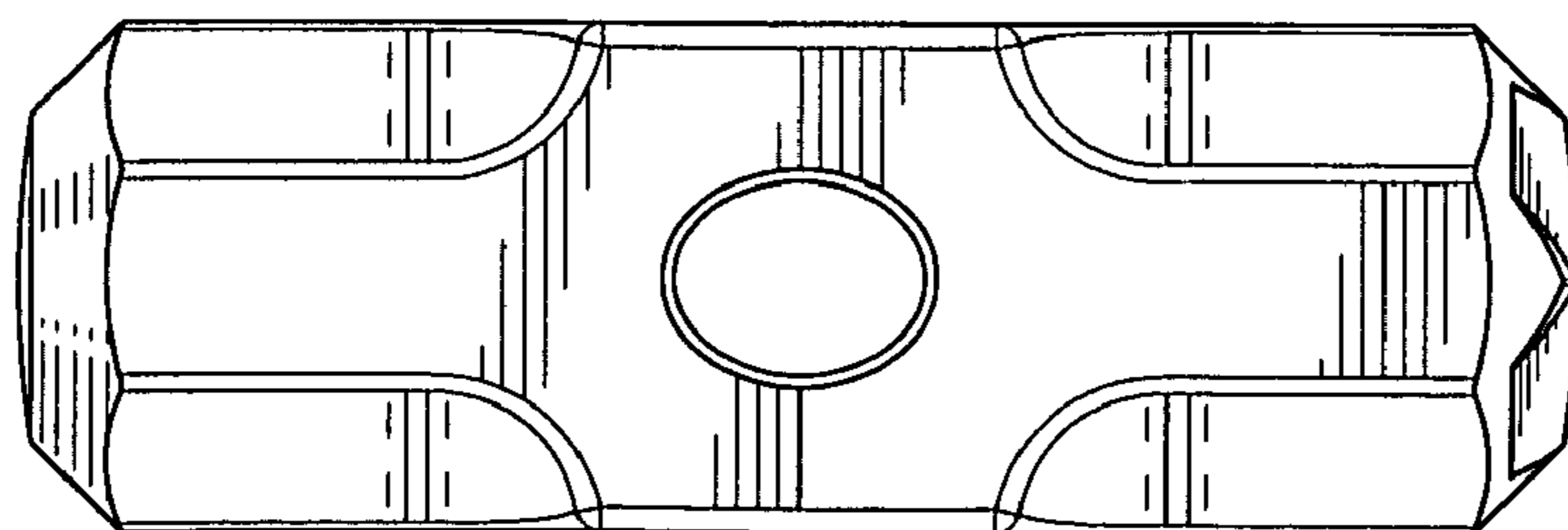


FIG. 6

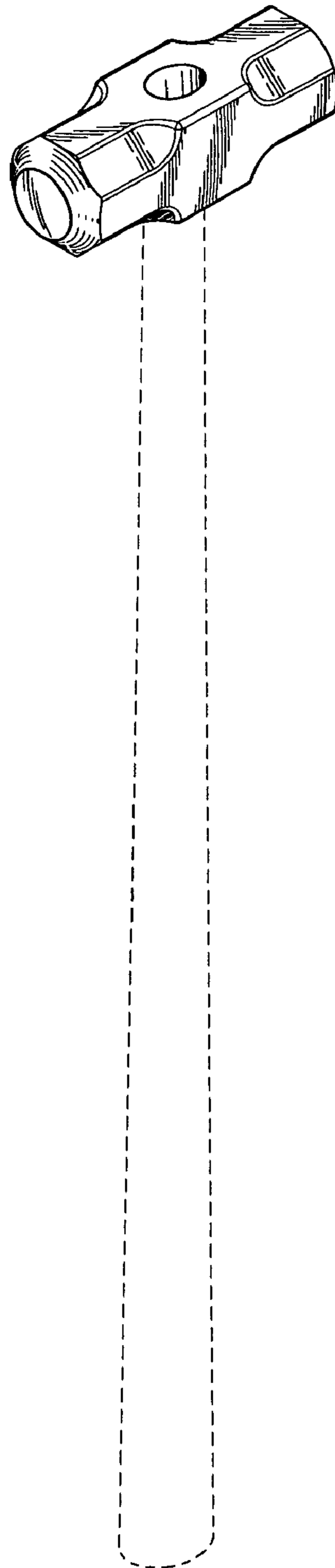


FIG. 7