



US00D574689S

(12) **United States Design Patent**
Holl et al.

(10) **Patent No.:** **US D574,689 S**
(45) **Date of Patent:** **** Aug. 12, 2008**

(54) **CHISEL HOLDER**

D373,299 S * 9/1996 Hall et al. D8/309
5,683,144 A 11/1997 Kammerer et al.

(75) Inventors: **Bernd Holl**, Neustadt/Wied (DE);
Thomas Lehnert, Oberraden (DE);
Günter Tewes, Unkel/Rhein (DE);
Günter Hähn, Königswinter (DE)

(Continued)

OTHER PUBLICATIONS

(73) Assignee: **Wirtgen GmbH** (DE)

Wirtgen Quick-change toolholder system HT3 Plus 1997-2004 and
HT2 1992-1996, pp. 58-60 https://www.wirtgenamerica.com/pdf/ps_pdf/p_parts07_a.pdf*

(**) Term: **14 Years**

(Continued)

(21) Appl. No.: **29/265,791**

Primary Examiner—T. Chase Nelson

Assistant Examiner—Karen Acker

(22) Filed: **Sep. 8, 2006**

(74) *Attorney, Agent, or Firm*—Jansson Shupe & Munger Ltd.

(30) **Foreign Application Priority Data**

Mar. 10, 2006 (EP) 000493150

(57) **CLAIM**

(51) **LOC (8) Cl.** **08-05**

The ornamental design for a chisel holder, as shown and described.

(52) **U.S. Cl.** **D8/71**

(58) **Field of Classification Search** D8/70-74,
D8/349, 354, 355, 373, 395, 14; D3/315;
D6/553; D15/130, 132, 135, 136, 138-141,
D15/144.1, 144.2; D19/78; 206/349, 372,
206/373; 211/70.1, 70.6; 220/696; 294/19.1,
294/27.1, 86.4; 299/104, 106; 16/429; 29/527.1,
29/527.5; 248/229.15

DESCRIPTION

See application file for complete search history.

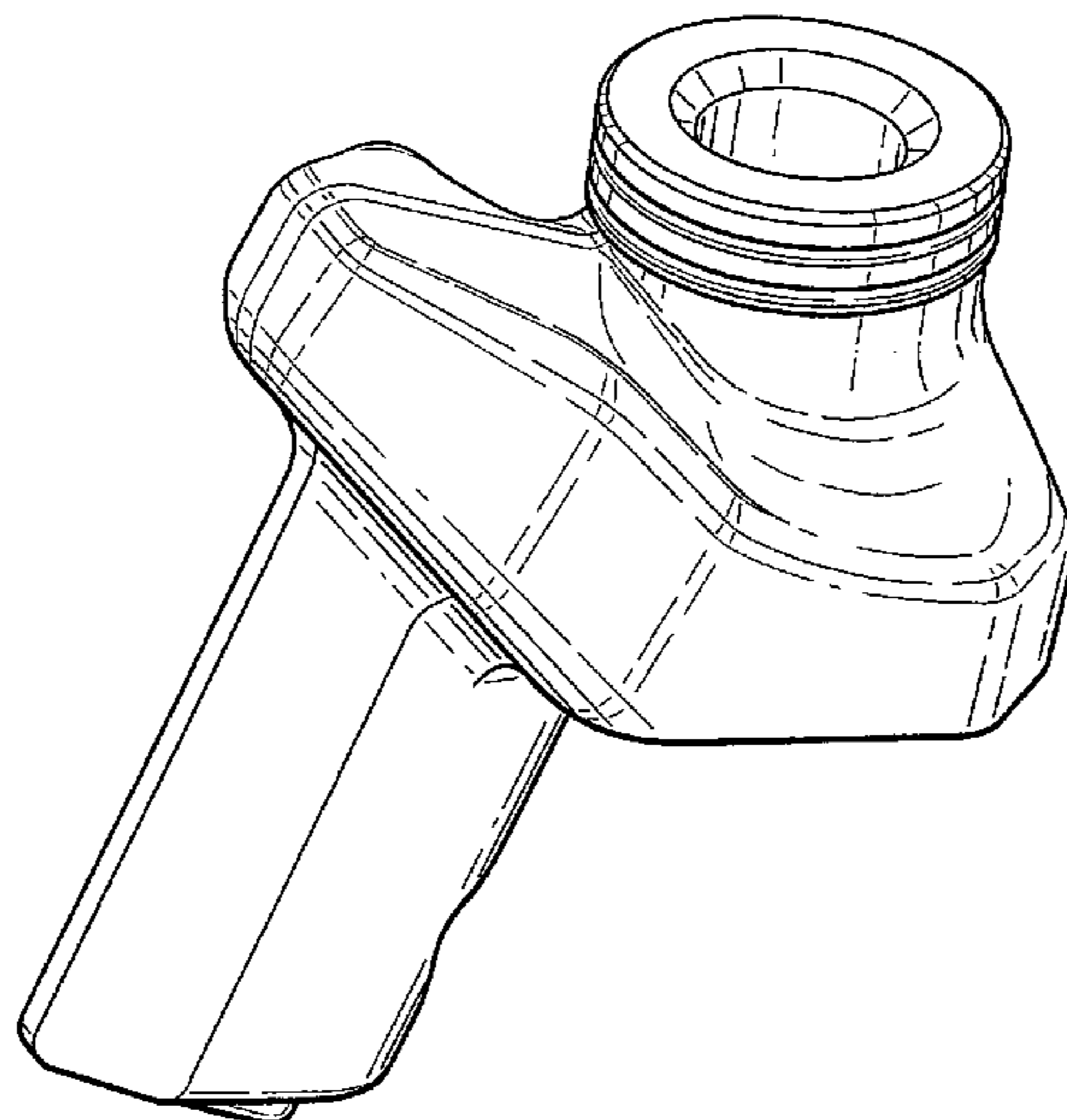
FIG. 1 is a perspective view of the chisel holder;
FIG. 2 is a front elevation of the chisel holder of FIG. 1;
FIG. 3 is a left side elevation of the chisel holder of FIG. 1;
FIG. 4 is a right side elevation of the chisel holder of FIG. 1;
FIG. 5 is a top plan view of the chisel holder of FIG. 1;
FIG. 6 is a back elevation of the chisel holder;
FIG. 7 is a bottom plan view of the chisel holder;
FIG. 8 is a back elevation of a second embodiment of the
chisel holder, the only difference being the inclusion of the
notch, it being understood that all other surfaces are the same
as those of the first embodiment; and,
FIG. 9 is a bottom plan view of the chisel holder of FIG. 8.

(56) **References Cited**

U.S. PATENT DOCUMENTS

3,397,012 A * 8/1968 Krekeler 299/104
4,240,669 A * 12/1980 Rollins 299/102
4,489,986 A * 12/1984 Dziak 299/104
4,542,943 A * 9/1985 Montgomery, Jr. 299/102
4,828,327 A * 5/1989 Wechner 299/102
4,932,723 A * 6/1990 Mills 299/104
5,011,229 A * 4/1991 O'Neill et al. 299/102
5,378,050 A * 1/1995 Kammerer et al. 299/102

1 Claim, 9 Drawing Sheets



US D574,689 S

Page 2

U.S. PATENT DOCUMENTS

D430,272	S *	8/2000	Hung-Lin	D23/245					
6,244,665	B1 *	6/2001	Bise et al.	299/106					
6,357,832	B1 *	3/2002	Sollami	299/104					
6,478,383	B1 *	11/2002	Ojanen et al.	299/104					
6,481,803	B2 *	11/2002	Ritchey	299/79.1					
6,585,326	B2 *	7/2003	Sollami	299/104					
6,619,756	B1	9/2003	Holl et al.							
6,619,757	B1	9/2003	Kammerer							
6,644,755	B1	11/2003	Kammerer							
6,712,431	B1 *	3/2004	Bosch et al.	299/104					
6,764,140	B2 *	7/2004	Carson et al.	299/79.1					
6,779,850	B1 *	8/2004	Schibeci et al.	299/87.1					
6,786,557	B2 *	9/2004	Montgomery, Jr.	299/104					
D499,954	S *	12/2004	Brushaber	D8/355					
6,832,818	B2 *	12/2004	Luciano	299/39.8					
6,854,810	B2 *	2/2005	Montgomery, Jr.	299/106					
6,866,343	B2	3/2005	Holl et al.							
6,962,395	B2 *	11/2005	Mouthaan	299/104					
7,118,181	B2 *	10/2006	Frear	299/104					
7,192,095	B2 *	3/2007	Sansone et al.	299/106					
7,234,782	B2 *	6/2007	Stehney	299/104					
7,278,692	B2 *	10/2007	Sollami	299/106					
7,300,115	B2 *	11/2007	Holl et al.	299/106					
2002/0053827	A1 *	5/2002	Clapham et al.	299/102					
2003/0015907	A1 *	1/2003	Sollami	299/104					
2003/0137185	A1 *	7/2003	Sollami	299/106					
2004/0004389	A1 *	1/2004	Latham	299/104					
2004/0119326	A1 *	6/2004	Risi	299/39.8					
2005/0127742	A1 *	6/2005	Erickson	299/106					
2006/0261662	A1 *	11/2006	Sollami	299/104					
2006/0279133	A1 *	12/2006	Erickson et al.	299/106					

OTHER PUBLICATIONS

U.S. Appl. No. 29/265,790, filed Sep. 8, 2006, Holl et al.
U.S. Appl. No. 29/265,792, filed Sep. 8, 2006, Holl et al.

* cited by examiner

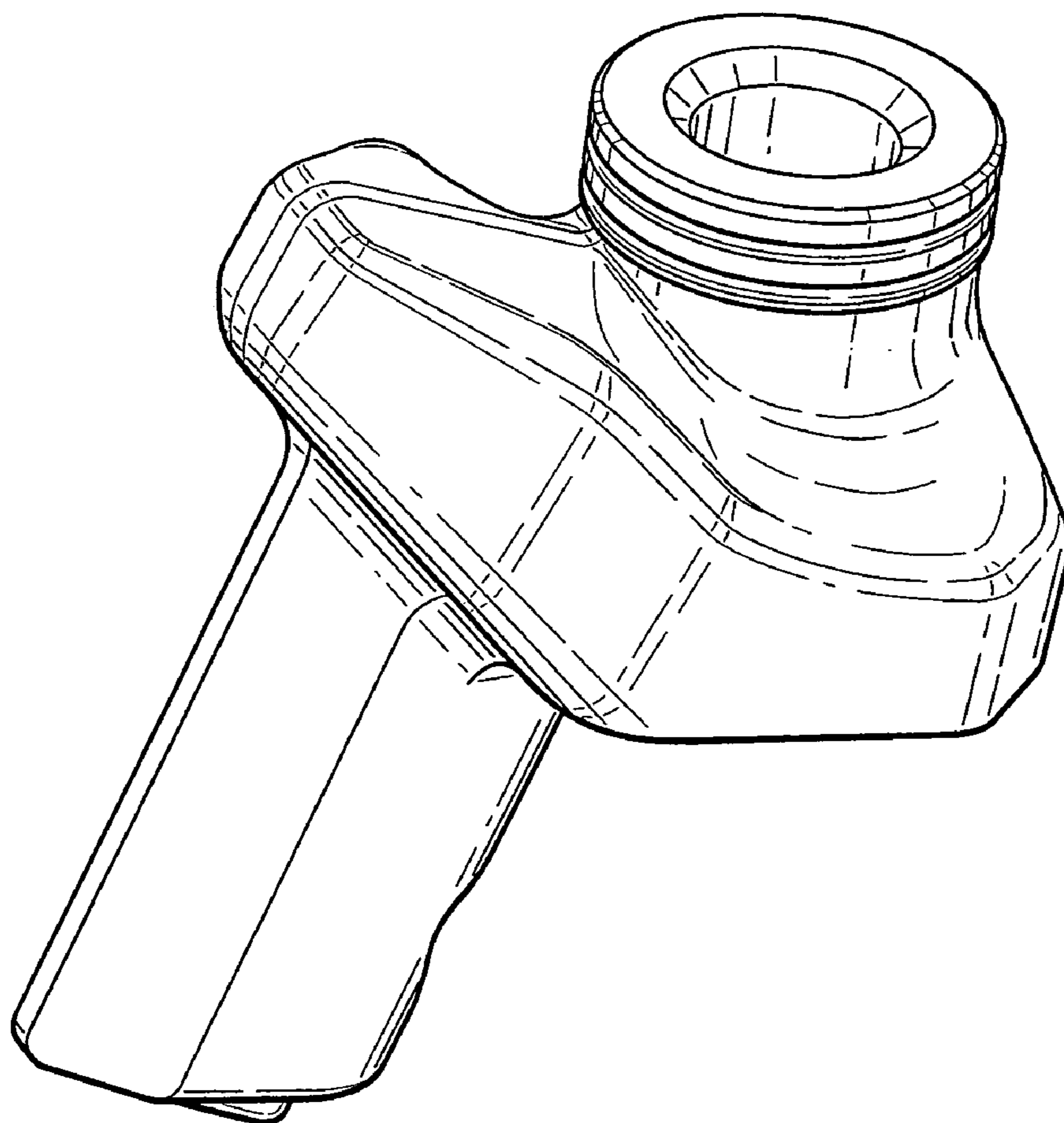


FIG. 1

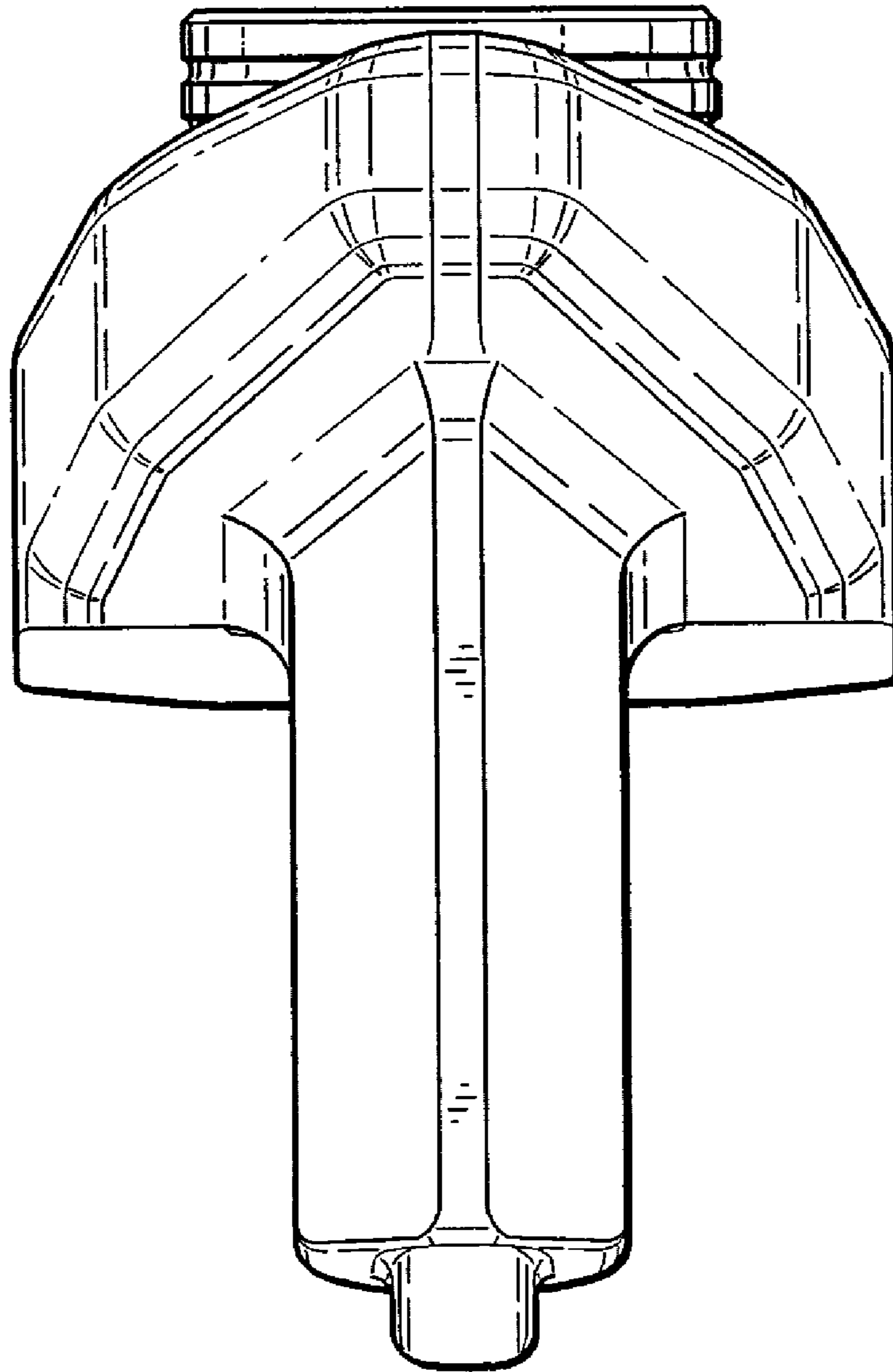


FIG. 2

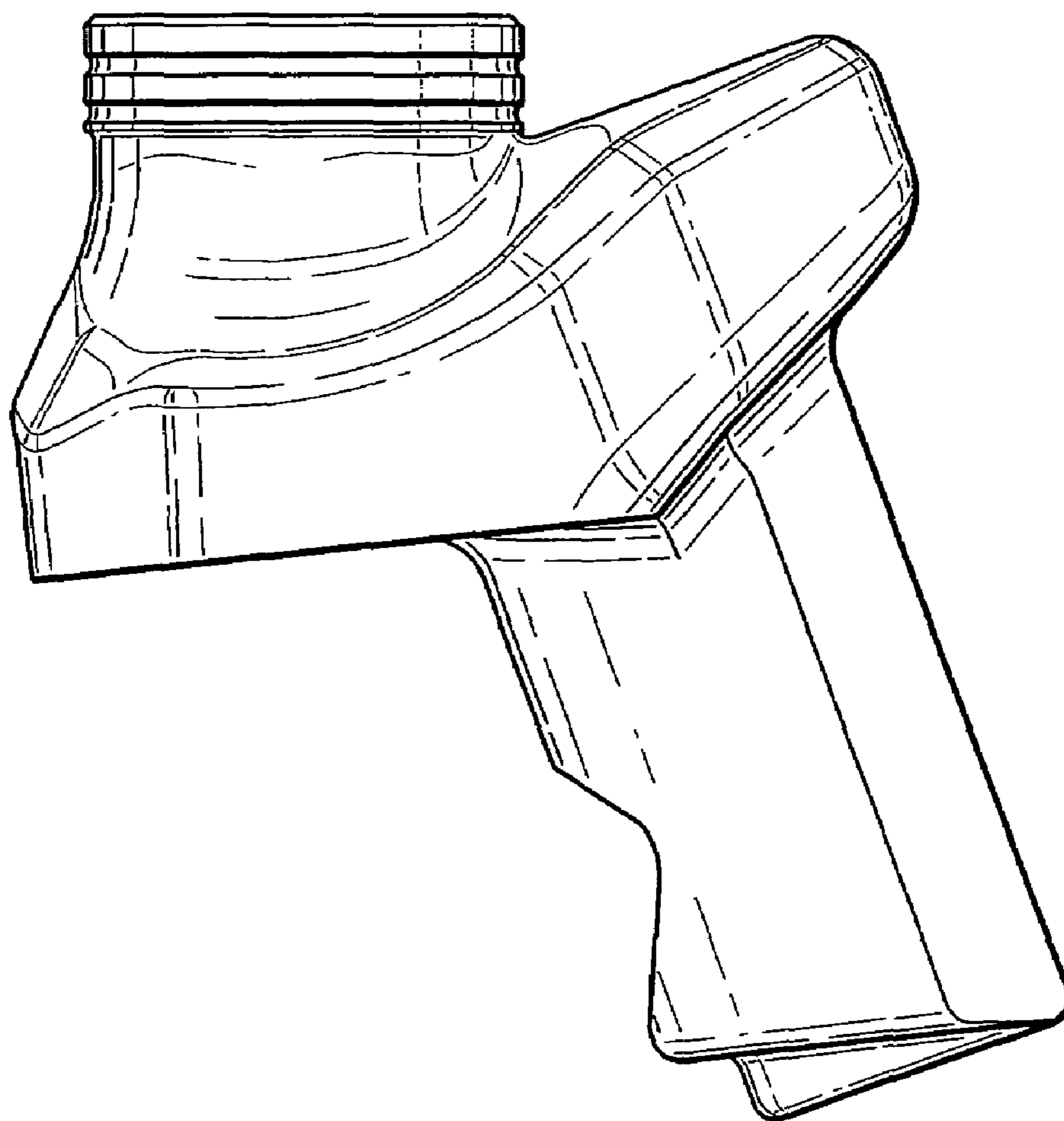


FIG. 3

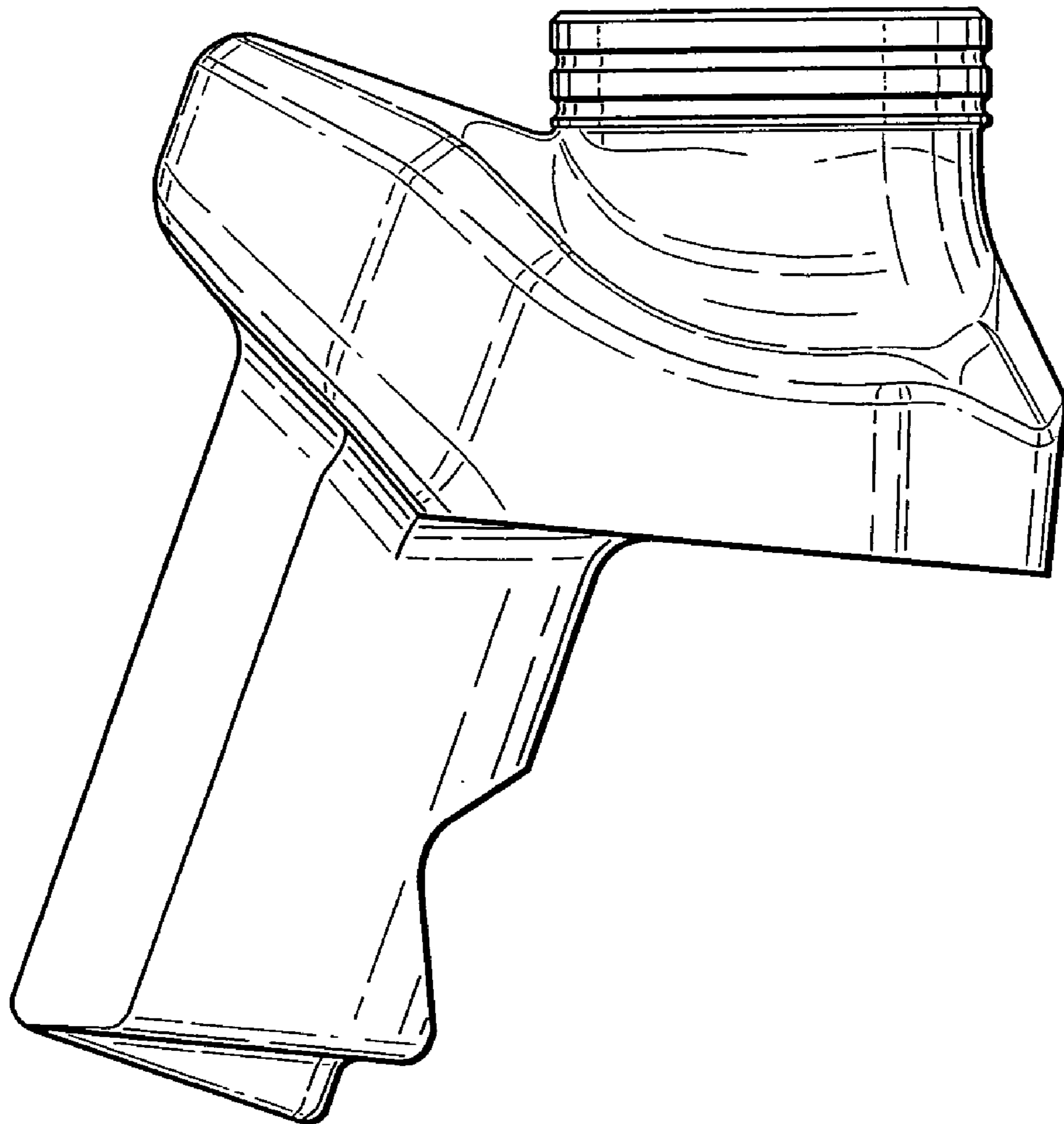


FIG. 4

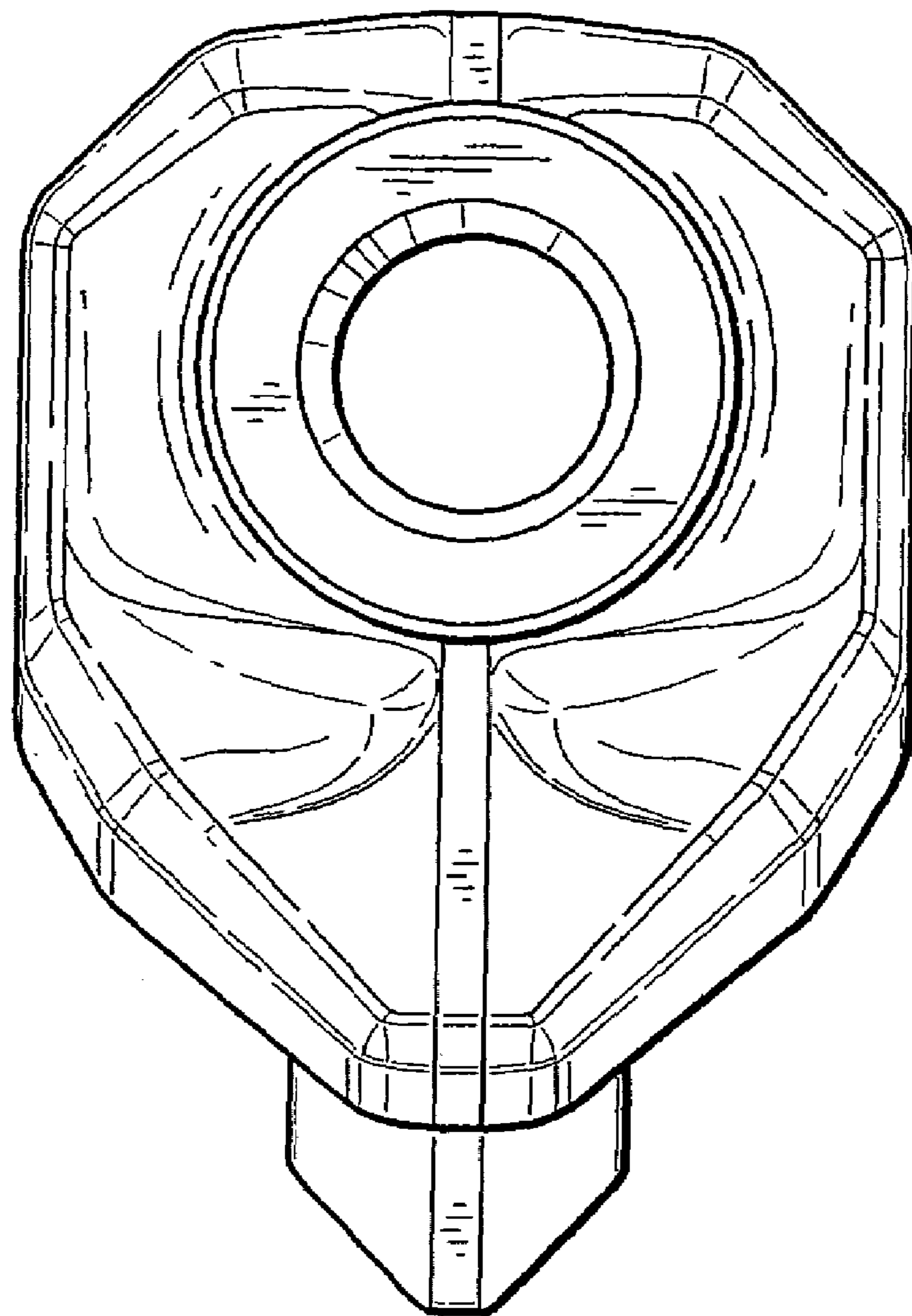


FIG. 5

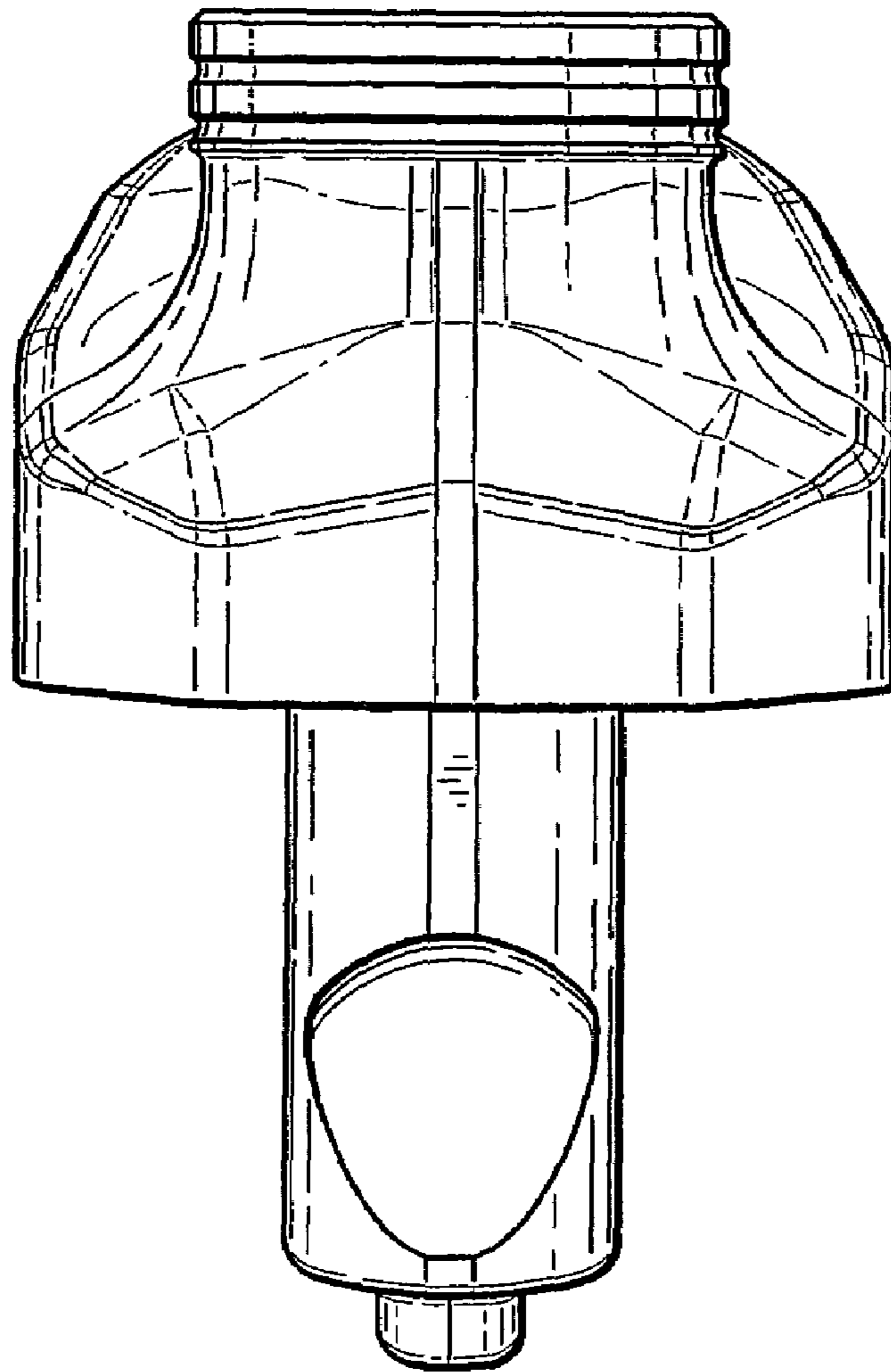


FIG. 6

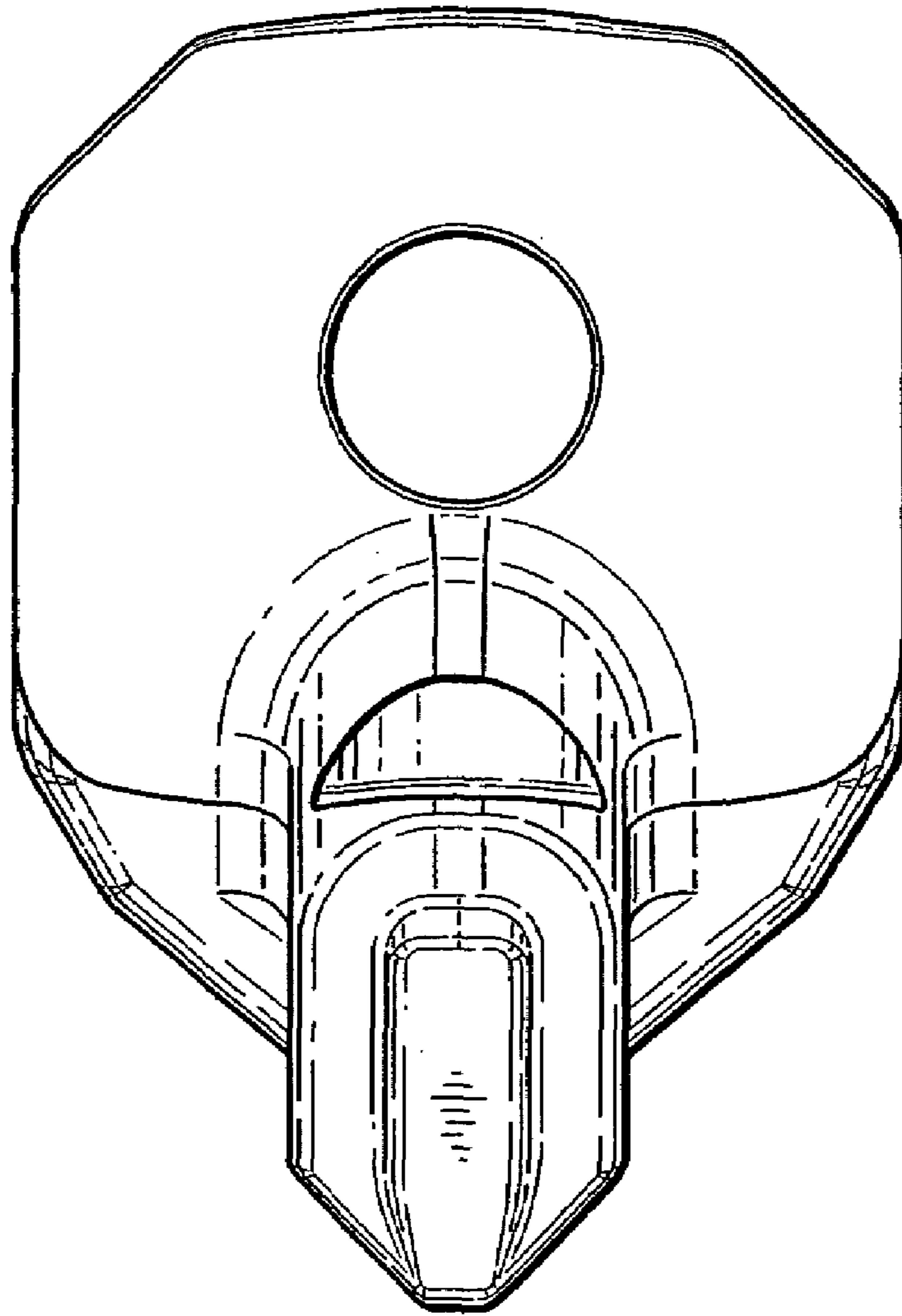


FIG. 7

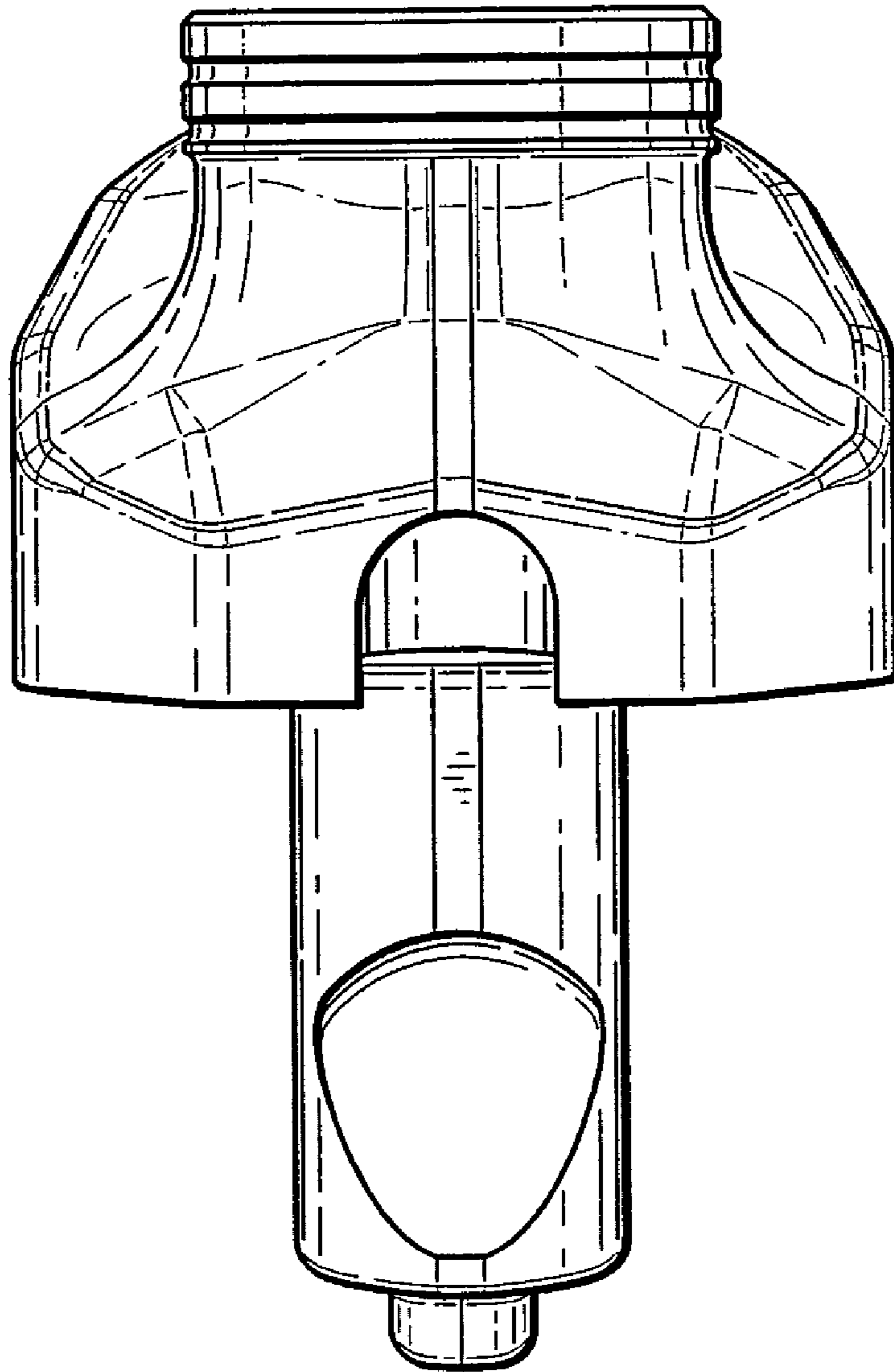


FIG. 8

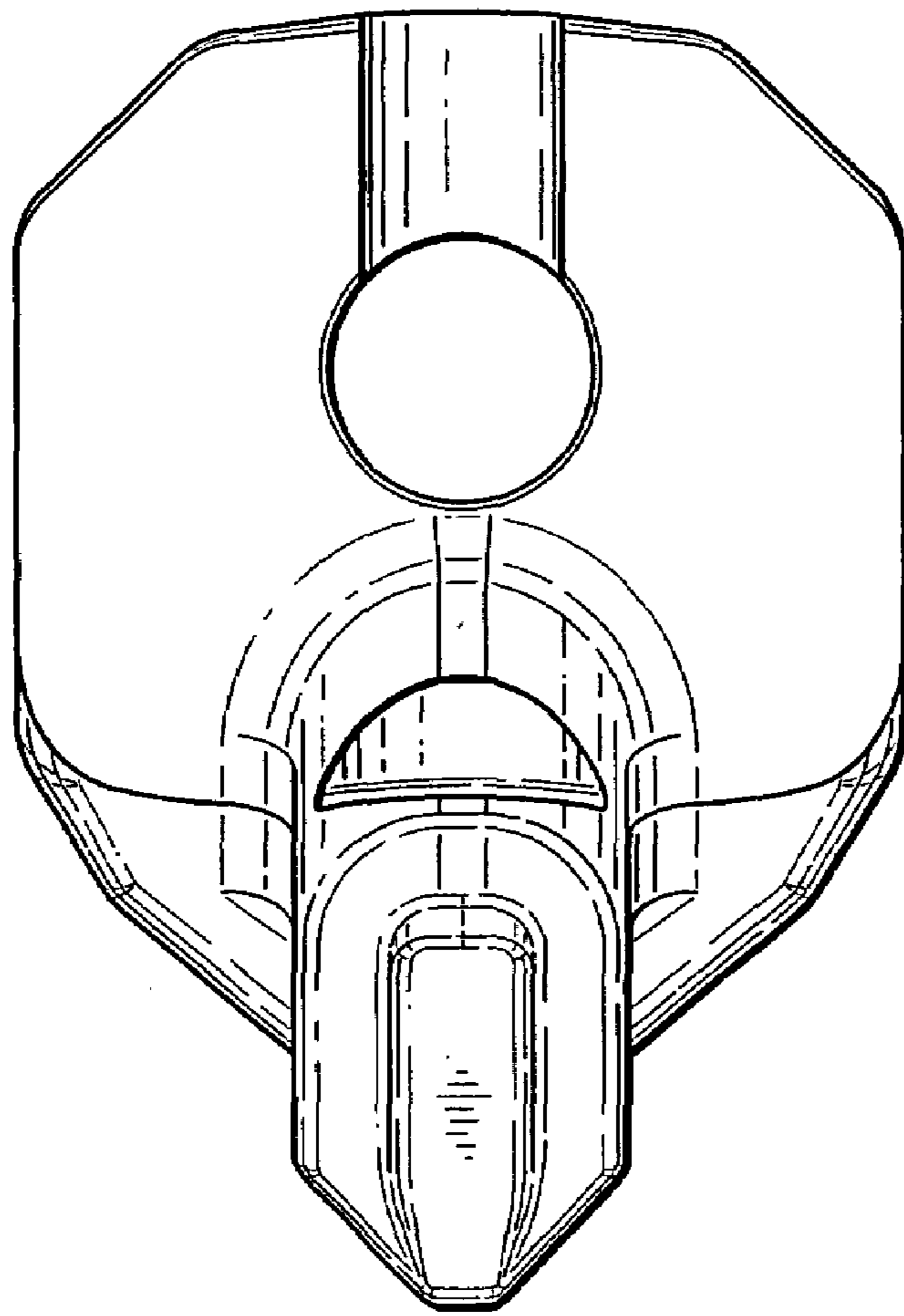


FIG. 9