



US00D574688S

(12) **United States Design Patent**  
**Yamamoto**

(10) **Patent No.:** **US D574,688 S**

(45) **Date of Patent:** **\*\* Aug. 12, 2008**

(54) **RECHARGEABLE POWER IMPACT WRENCH**

(75) Inventor: **Yuji Yamamoto, Anjo (JP)**

(73) Assignee: **Makita Corporation, Anjo (JP)**

(\*\*) Term: **14 Years**

(21) Appl. No.: **29/287,923**

(22) Filed: **Oct. 2, 2007**

(30) **Foreign Application Priority Data**

Apr. 3, 2007 (JP) ..... 2007-08734

(51) **LOC (8) Cl.** ..... **08-05**

(52) **U.S. Cl.** ..... **D8/68**

(58) **Field of Classification Search** ..... D8/14.1,  
D8/61, 62, 63, 64, 65, 66, 67, 68, 69, 70;  
81/57.11, 429, 454, 455, 456, 469, 489; 173/13,  
173/104, 114, 168, 169, 170, 171, 178, 201,  
173/211, 213, 217; 408/20, 124, 125, 234,  
408/241 R; 451/358; 310/50; 227/8, 113,  
227/114, 120, 130, 136, 142

See application file for complete search history.

(56) **References Cited**

**U.S. PATENT DOCUMENTS**

D437,761 S	2/2001	Okumura et al.	
D477,205 S *	7/2003	Sakai et al.	D8/68
D484,385 S *	12/2003	Sakai et al.	D8/68
6,679,406 B2 *	1/2004	Sakai et al.	408/241 R
D489,955 S	5/2004	Concari et al.	
D499,624 S	12/2004	Concari et al.	
D508,642 S *	8/2005	Kokawa et al.	D8/68
D508,643 S *	8/2005	Concari et al.	D8/68
D514,910 S *	2/2006	Nagasaka et al.	D8/68
D519,808 S *	5/2006	Otsuka et al.	D8/68

D520,832 S *	5/2006	Ozawa et al.	D8/68
D520,834 S *	5/2006	Furuta et al.	D8/68
D524,136 S *	7/2006	Taniguchi et al.	D8/68
D525,099 S *	7/2006	Nagasaka et al.	D8/68
D525,505 S *	7/2006	Ito et al.	D8/68
D527,237 S *	8/2006	Otsuka et al.	D8/68
D528,888 S *	9/2006	Nagasaka et al.	D8/68
7,108,079 B2 *	9/2006	Sakai et al.	173/217
D539,110 S *	3/2007	Okuda	D8/68
7,185,998 B2 *	3/2007	Oomori et al.	408/241 R
7,186,117 B2 *	3/2007	Chen	310/50
D551,047 S *	9/2007	Lopano	D8/68
D559,060 S *	1/2008	Lopano	D8/68
2003/0159843 A1 *	8/2003	Sakai et al.	173/217
2005/0155778 A1 *	7/2005	Ishida et al.	173/170
2006/0048959 A1 *	3/2006	Sakai et al.	173/217
2006/0175069 A1 *	8/2006	Sakakibara et al.	173/217
2007/0056760 A1 *	3/2007	Yoshimizu et al.	173/217

\* cited by examiner

*Primary Examiner*—T. Chase Nelson

(74) *Attorney, Agent, or Firm*—Oliff & Berridge, PLC

(57) **CLAIM**

The ornamental design for a rechargeable power impact wrench, as shown and described.

**DESCRIPTION**

FIG. 1 is a perspective view of a rechargeable power impact wrench showing our new design;

FIG. 2 is a front elevation view thereof;

FIG. 3 is a rear elevation view thereof;

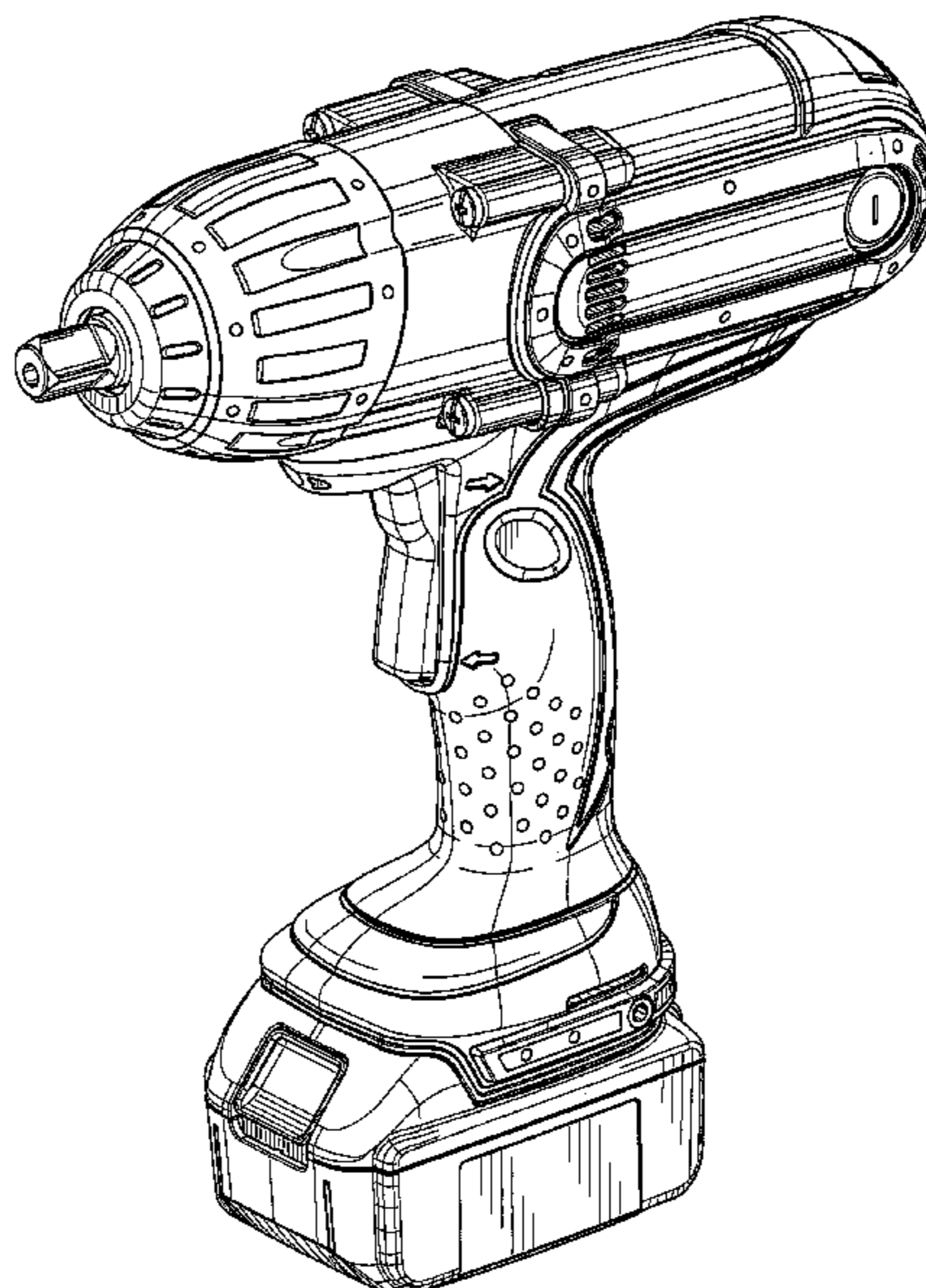
FIG. 4 is a left side elevation view thereof;

FIG. 5 is a right side elevation view thereof;

FIG. 6 is a top plan view thereof; and,

FIG. 7 is a bottom plan view thereof.

**1 Claim, 5 Drawing Sheets**



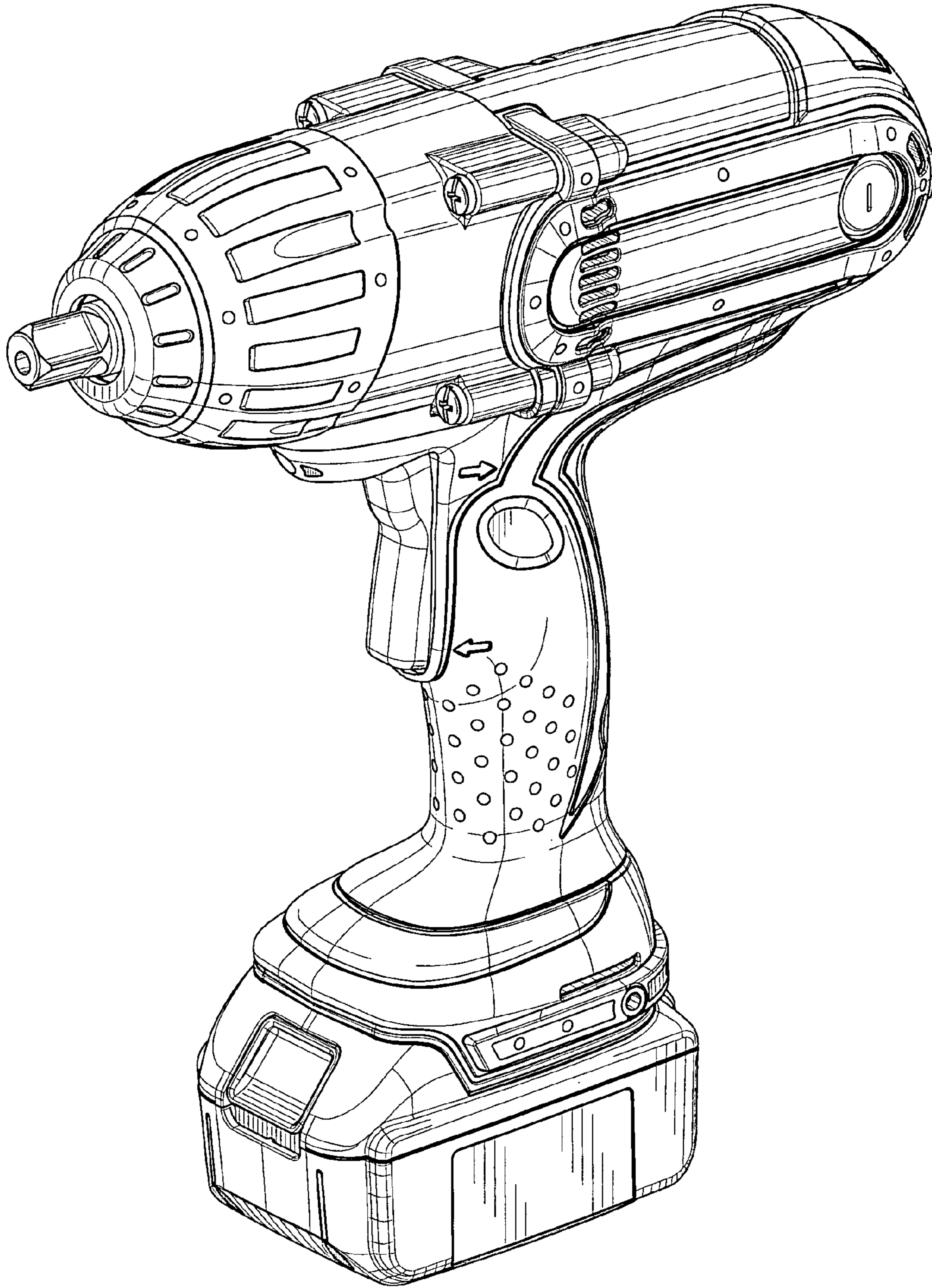


FIG. 1

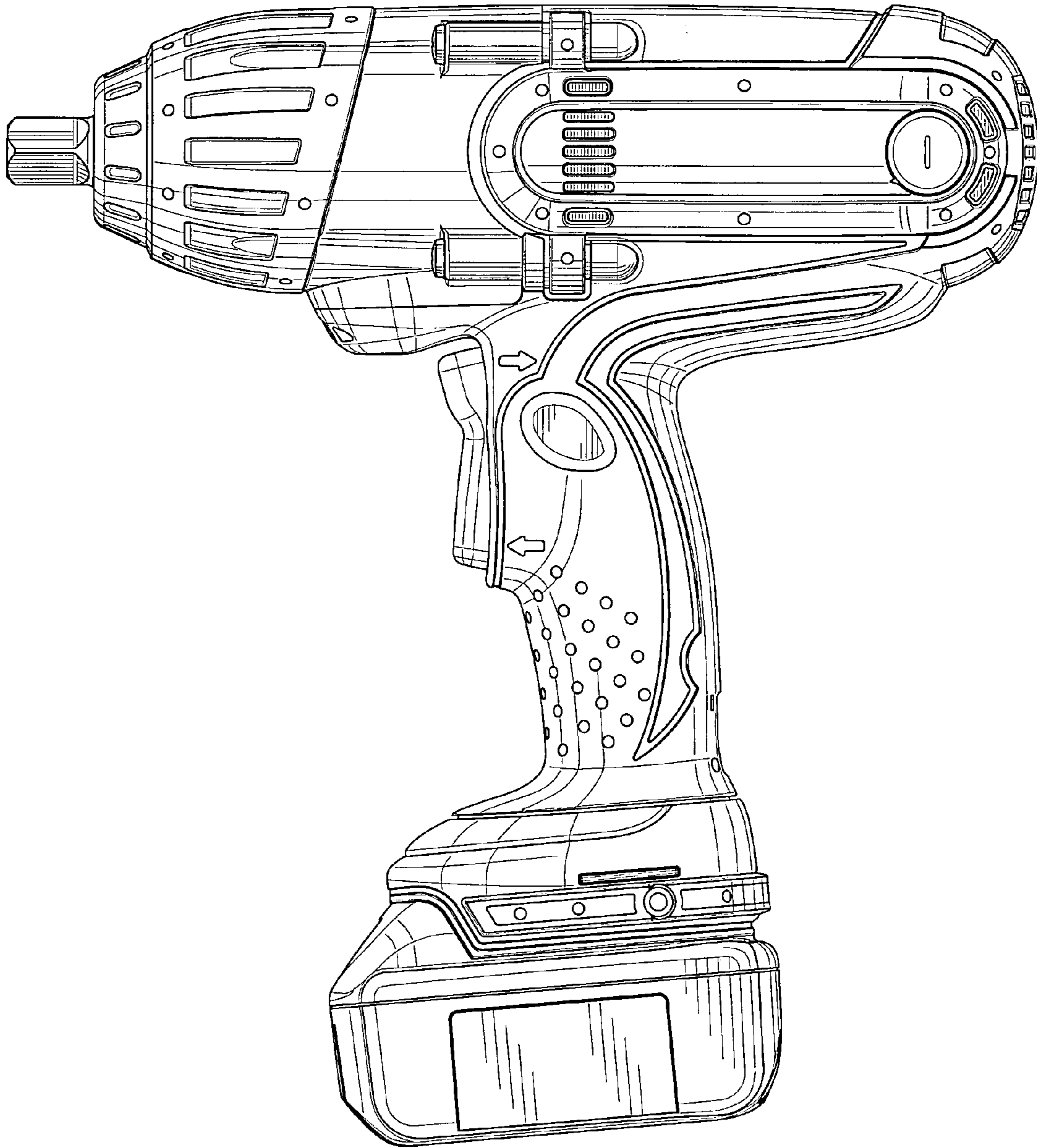


FIG. 2

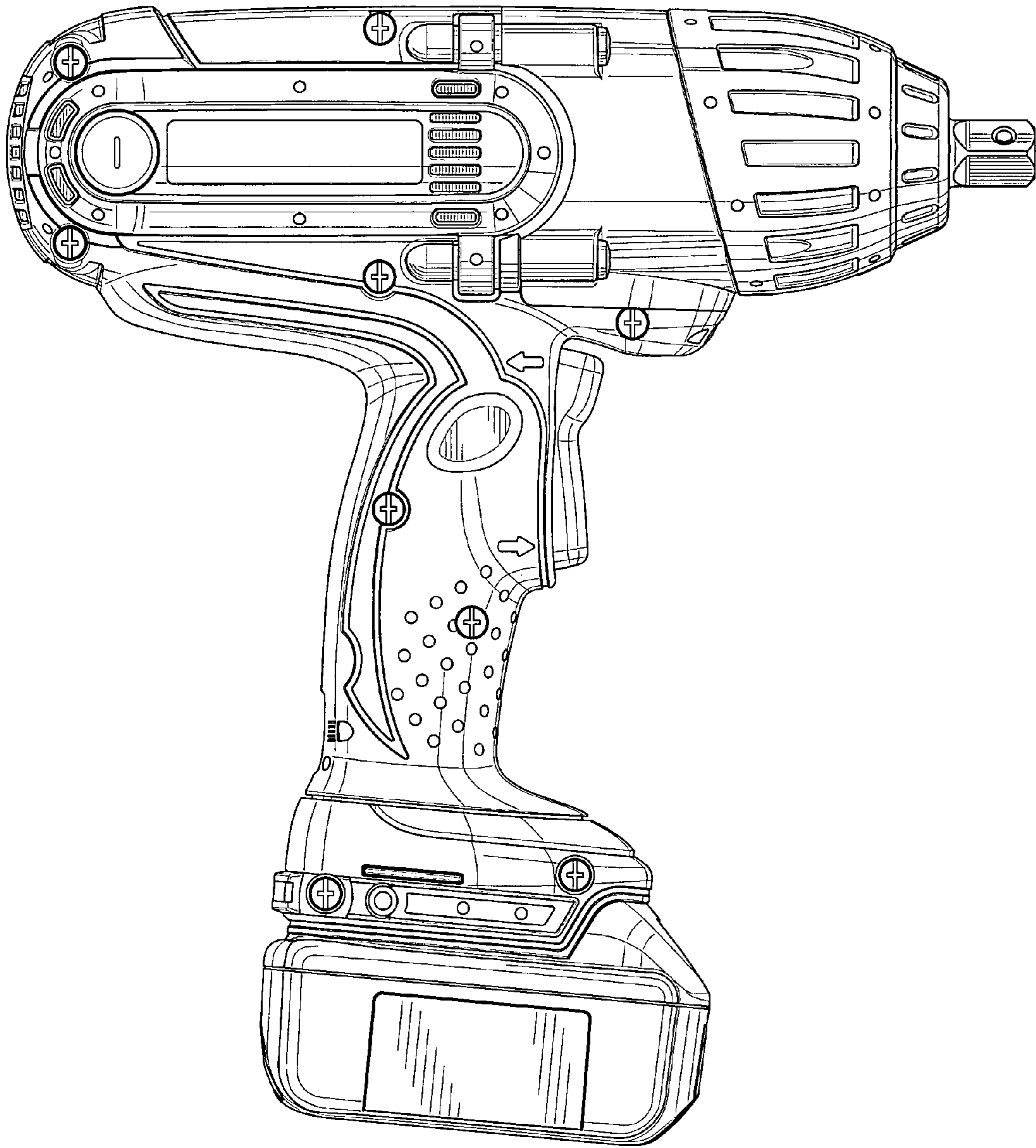


FIG. 3

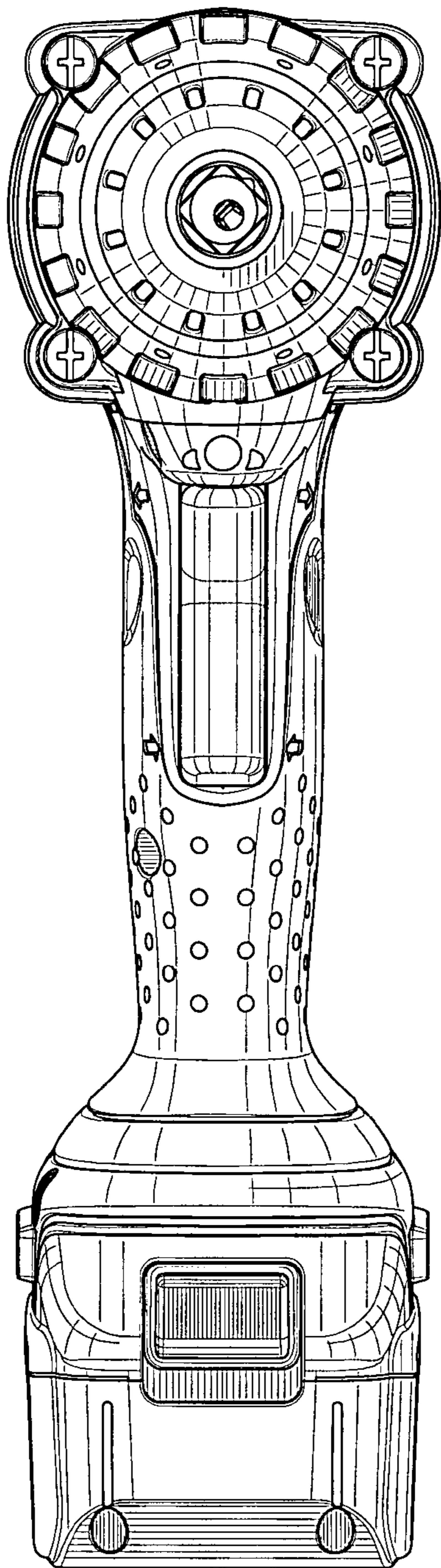


FIG. 4

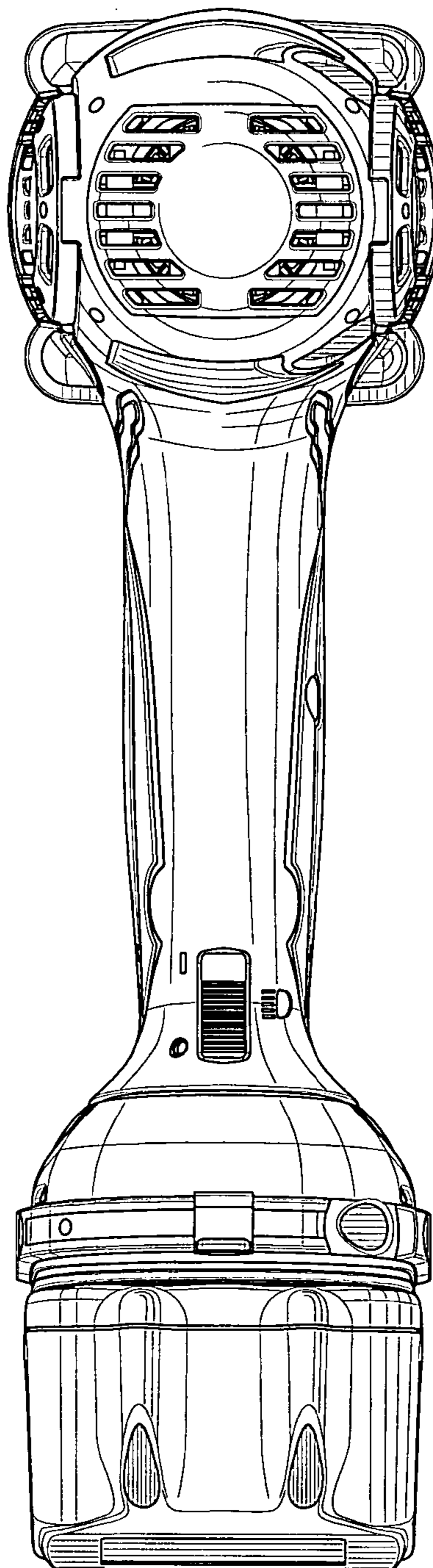


FIG. 5

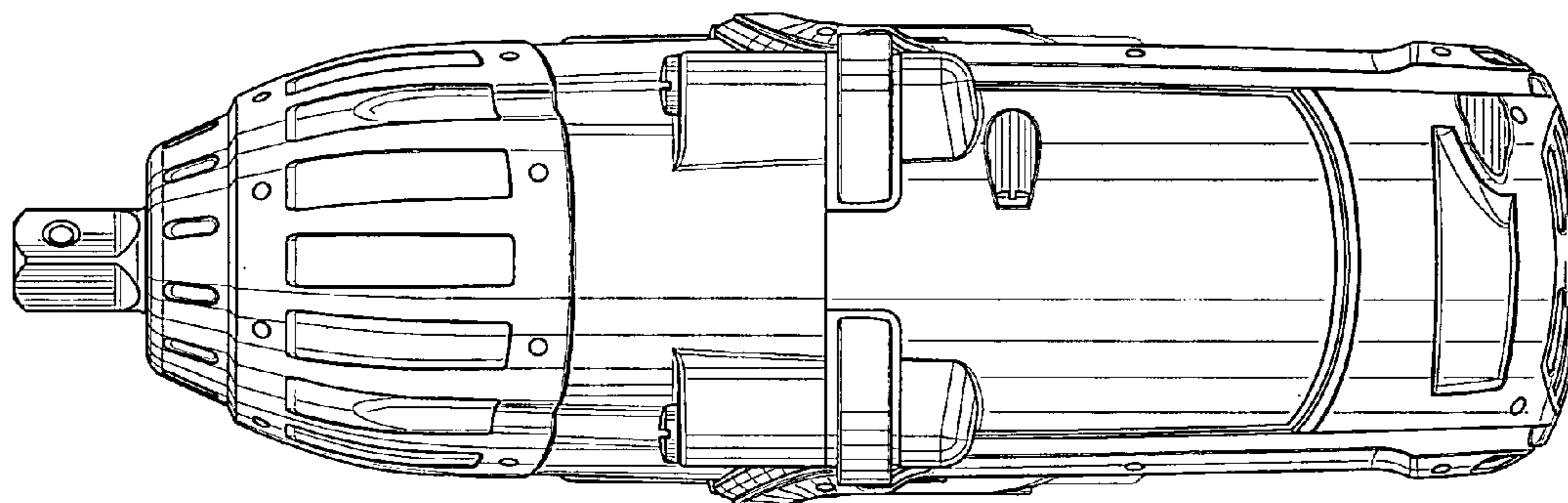


FIG. 6

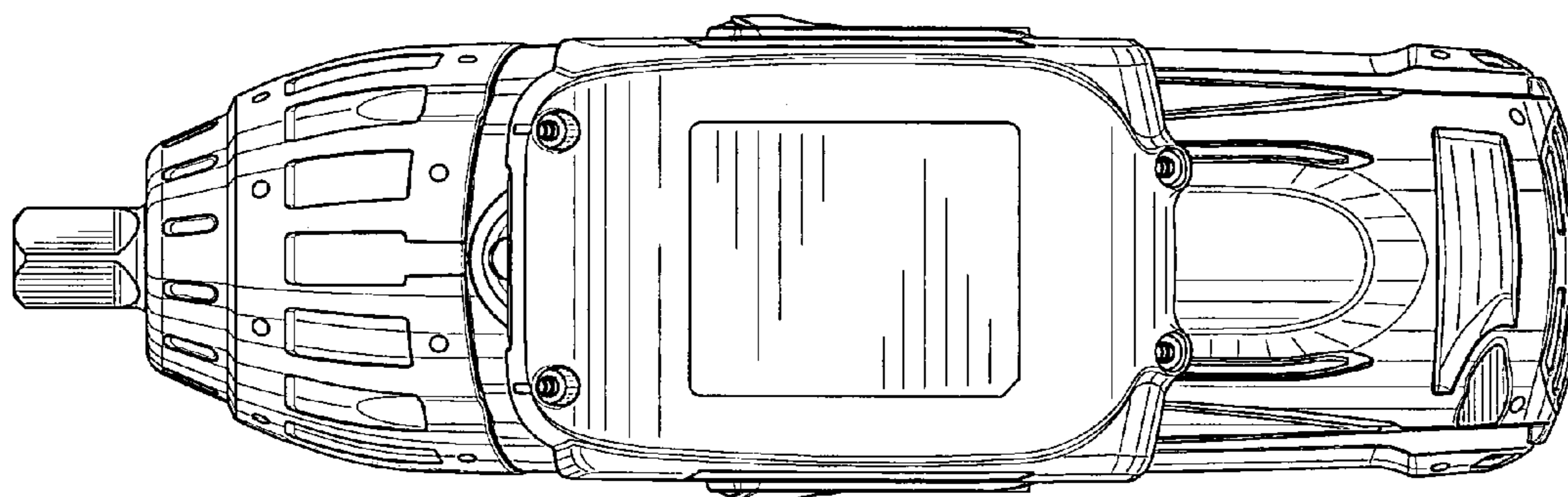


FIG. 7