



US00D574687S

(12) **United States Design Patent**  
**Van Wambeke**

(10) **Patent No.:** **US D574,687 S**

(45) **Date of Patent:** **\*\* Aug. 12, 2008**

(54) **JIGSAW HOUSING**

2003/0196338 A1\* 10/2003 Eto et al. .... 30/392

(75) Inventor: **Weston J. Van Wambeke**, Towson, MD  
(US)

(73) Assignee: **Black & Decker Inc.**, Newark, DE (US)

(\*\*) Term: **14 Years**

(21) Appl. No.: **29/295,163**

(22) Filed: **Sep. 21, 2007**

(51) **LOC (8) Cl.** ..... **08-03**

(52) **U.S. Cl.** ..... **D8/64**

(58) **Field of Classification Search** ..... D8/61,  
D8/62, 64, 66, 69, 68, 67, 70; D7/379; D21/532;  
83/34, 747, 699.21; 30/394, 393, 392, 377,  
30/376, 375; 173/216

See application file for complete search history.

(56) **References Cited**

**U.S. PATENT DOCUMENTS**

D404,274 S *	1/1999	Ogasawara et al. ....	D8/64
D414,094 S	9/1999	Heun	
D440,474 S	4/2001	Heun	
D463,963 S	10/2002	Metaxatos	
D474,384 S	5/2003	Andriolo	
D476,871 S	7/2003	Santarsiero et al.	
D486,711 S	2/2004	Tam et al.	
6,705,017 B2	3/2004	Ellis et al.	
D489,239 S	5/2004	Keller	
D519,014 S	4/2006	Aglassinger	
D519,346 S	4/2006	Wu	
D519,804 S *	5/2006	Wu .....	D8/64
D519,805 S	5/2006	Ng	
D519,806 S	5/2006	Waldron	
D520,318 S	5/2006	Waldron	
D521,834 S	5/2006	Andriolo et al.	
D522,335 S	6/2006	Houghton	
D524,622 S	7/2006	Corcoran	
D525,098 S *	7/2006	Taniguchi et al. ....	D8/64
D532,664 S	11/2006	Wu	
2003/0167641 A1*	9/2003	Teng .....	30/337

**OTHER PUBLICATIONS**

Assembly view and parts list for Black and Decker Jigsaw Model No. JS350K, Type 1, Published 2005.

Assembly view and parts list for Black and Decker Jigsaw Model No. JS600K, Type 1, Published 2005.

Assembly view and parts list for Black and Decker Jigsaw Model No. DC330K, Type 10, Published 2005.

Assembly view and parts list for Black and Decker Jigsaw Model No. DW331K, Type 1 Published 2005.

Assembly view and parts list for Black and Decker Jigsaw Model No. JS500K, Type 1 Published 2005.

(Continued)

*Primary Examiner*—Cathron Brooks

*Assistant Examiner*—Austin Murphy

(74) *Attorney, Agent, or Firm*—Harness, Dickey & Pierce, P.L.C.

(57) **CLAIM**

The ornamental design for a jigsaw housing, as shown and described.

**DESCRIPTION**

FIG. 1 is a side view of a jigsaw housing in accordance with the present teachings.

FIG. 2 is an opposite side view of the jigsaw housing of FIG. 1.

FIG. 3 is a front view of the jigsaw housing of FIG. 1.

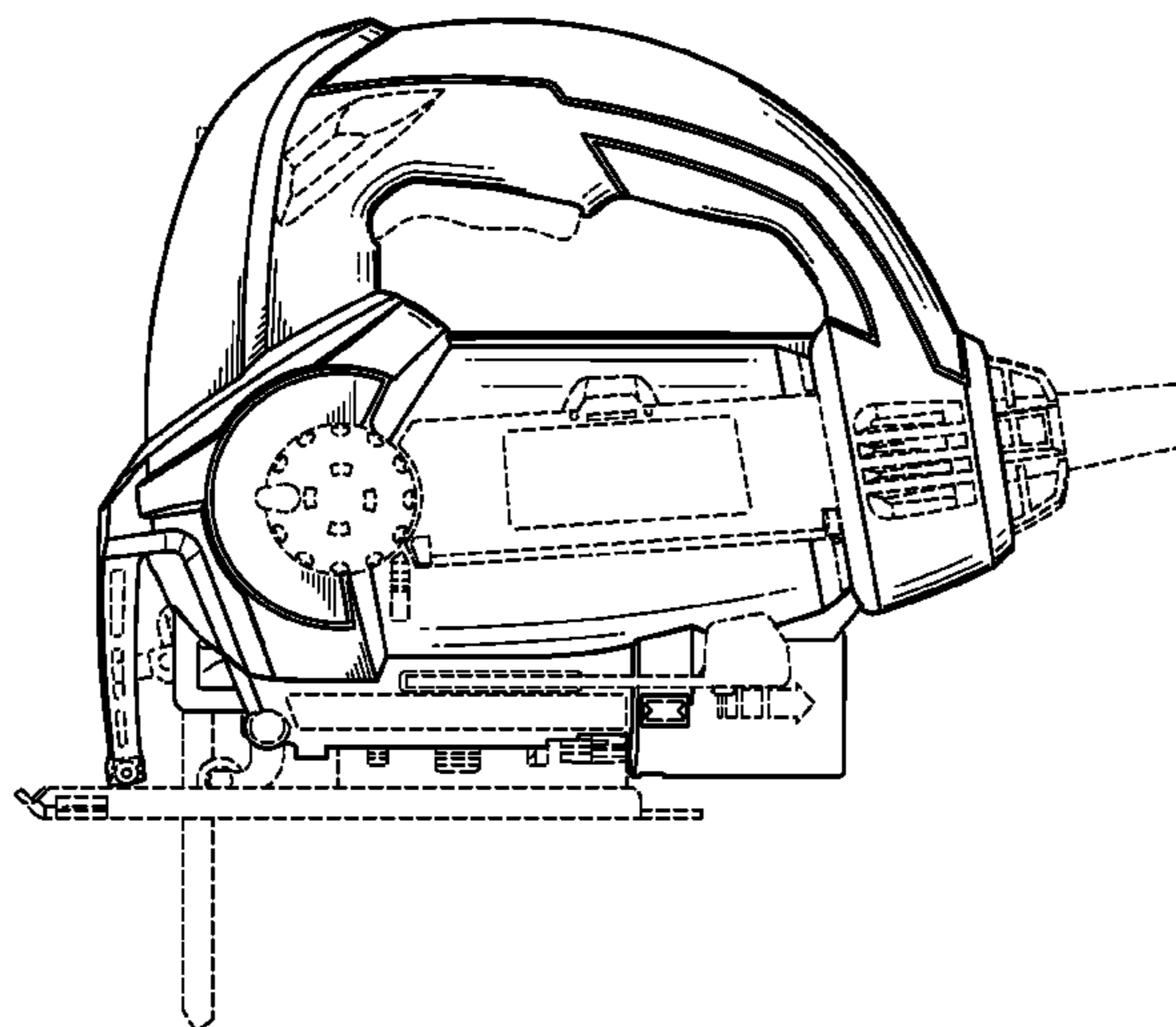
FIG. 4 is a rear view of the jigsaw housing of FIG. 1.

FIG. 5 is a top view of the jigsaw housing of FIG. 1, a bottom view of the jigsaw housing is excluded because the view is almost entirely obstructed by a cutting shoe shown in broken line; and,

FIG. 6 is a perspective view of the jigsaw housing of FIG. 1.

The broken lines shown in the drawings form no part of the claimed design.

**1 Claim, 5 Drawing Sheets**



OTHER PUBLICATIONS

Assembly view and parts list for Black and Decker Jigsaw Model No. JS700K, Type 1 Published 2005.

Assembly view and parts list for Black and Decker Jigsaw Model No. FS18JS, Type 1 Published 2005.

German Design Registration No. M94 03 565.2; filed Dec. 29, 1993.

German Design Registration No. 499 05 194.7; filed May 27, 1999.

German Design Registration No. 499 01 078.7; filed Aug. 3, 1998.

German Design Registration No. 402 08 158.7; filed Apr. 17, 2002.

German Design Registration No. 402 08 159.5; filed Apr. 17, 2002.

German Design Registration No. 40401105; filed Feb. 20, 2004.

European Community Design Registration No. 000134408-0001; Registration date Jan. 26, 2004.

European Community Design Registration No. 000295613-0003; Registration date Feb. 9, 2005.

European Community Design Registration No. 000337506-0001; Registration date Apr. 28, 2005.

European Community Design Registration No. 000337530-0001; Registration date Jun. 28, 2005.

European Community Design Registration No. 000398151-0004; Registration date Sep. 8, 2005.

European Community Design Registration No. 000435482-0001; Registration date Nov. 18, 2005.

European Community Design Registration No. 000435482-0002; Registration date Nov. 18, 2005.

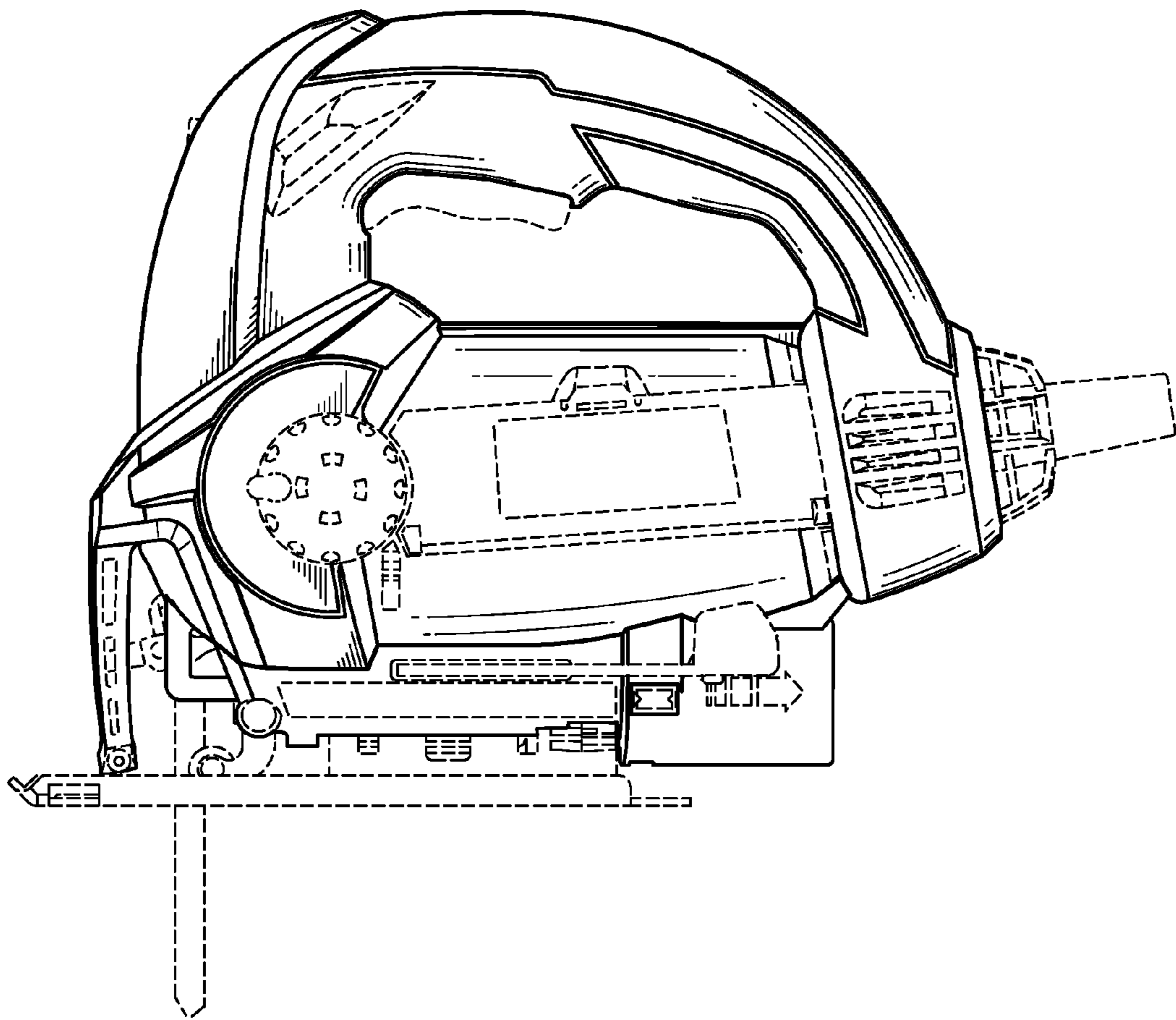
European Community Design Registration No. 000491162-0001; Registration date Mar. 3, 2006.

European Community Design Registration No. 000491170-0001; Registration date Mar. 7, 2006.

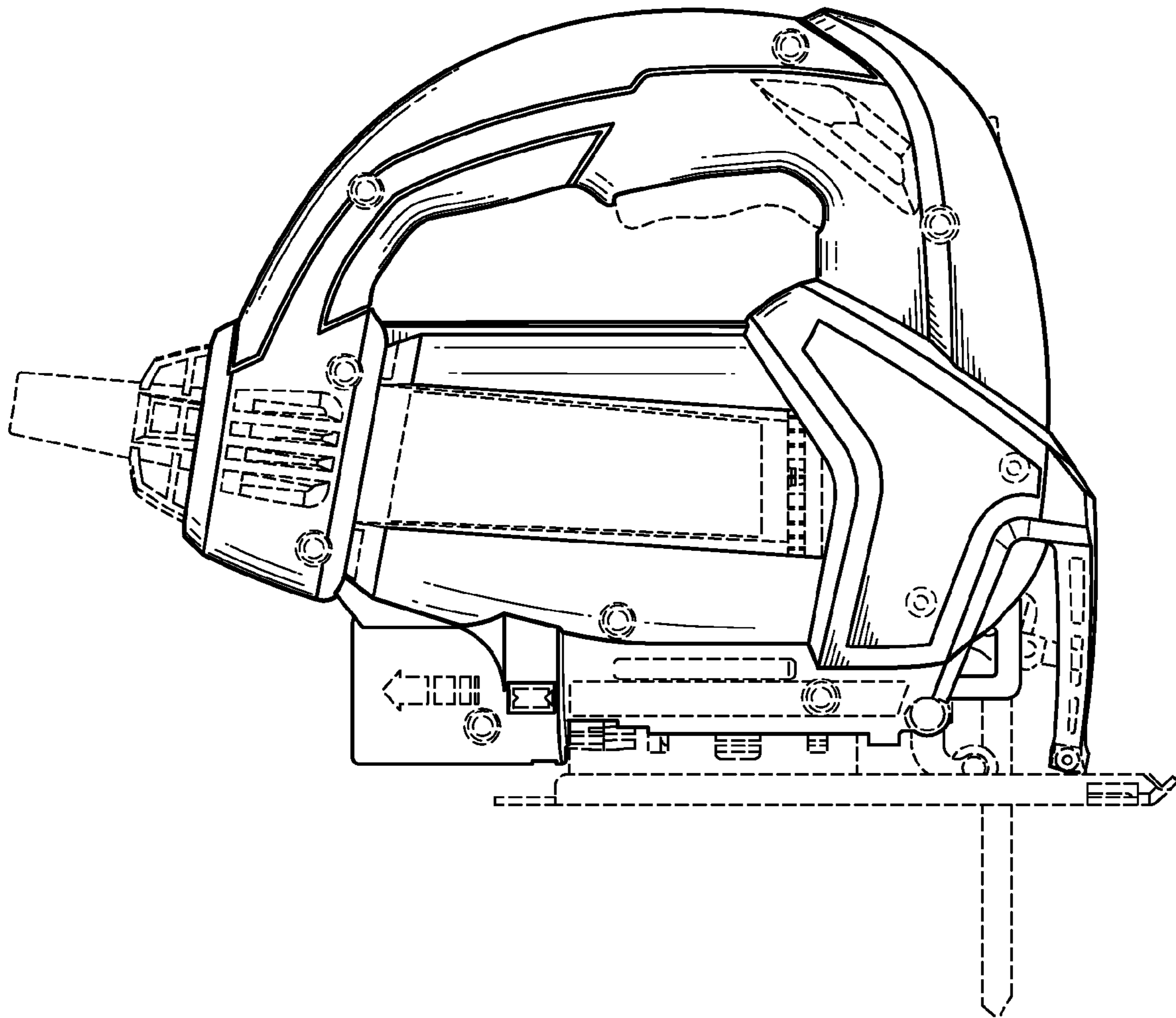
European Community Design Registration No. 000519392-0002; Registration date Apr. 26, 2006.

German Design Registration No. 40403290; filed May 28, 2004.

\* cited by examiner

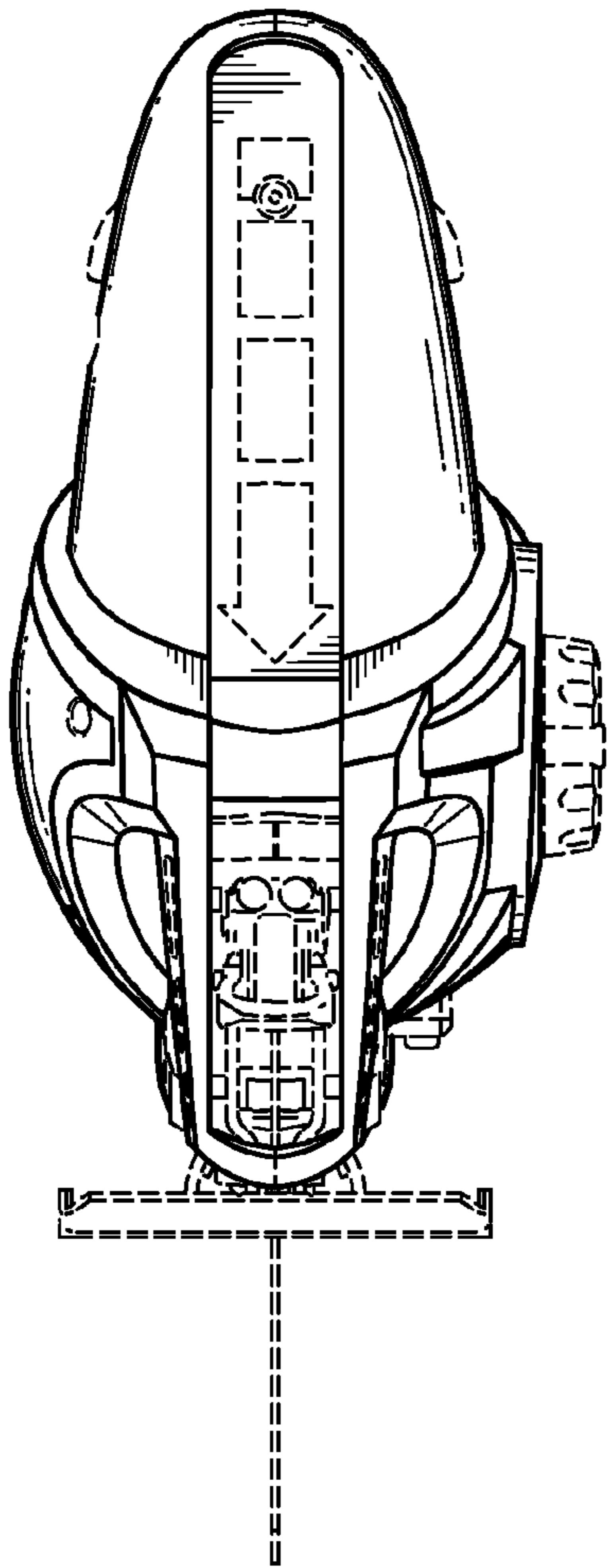


*FIG. 1*

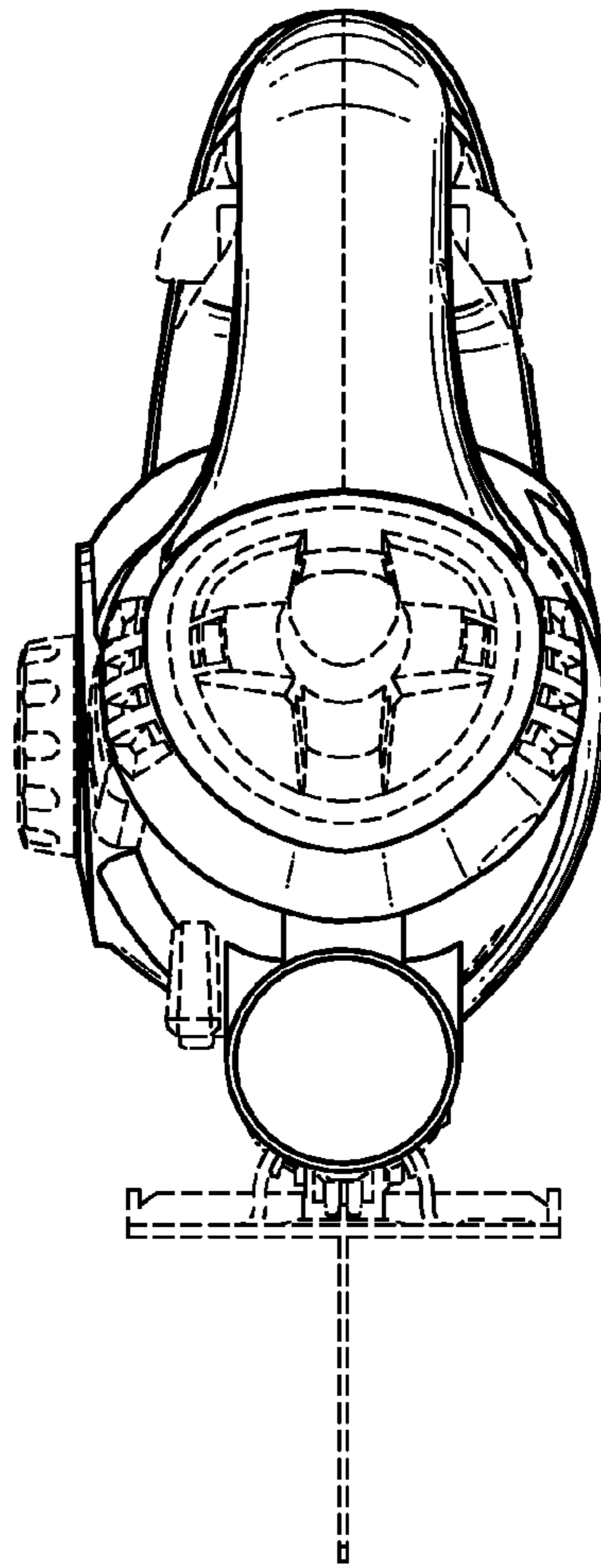


***FIG. 2***

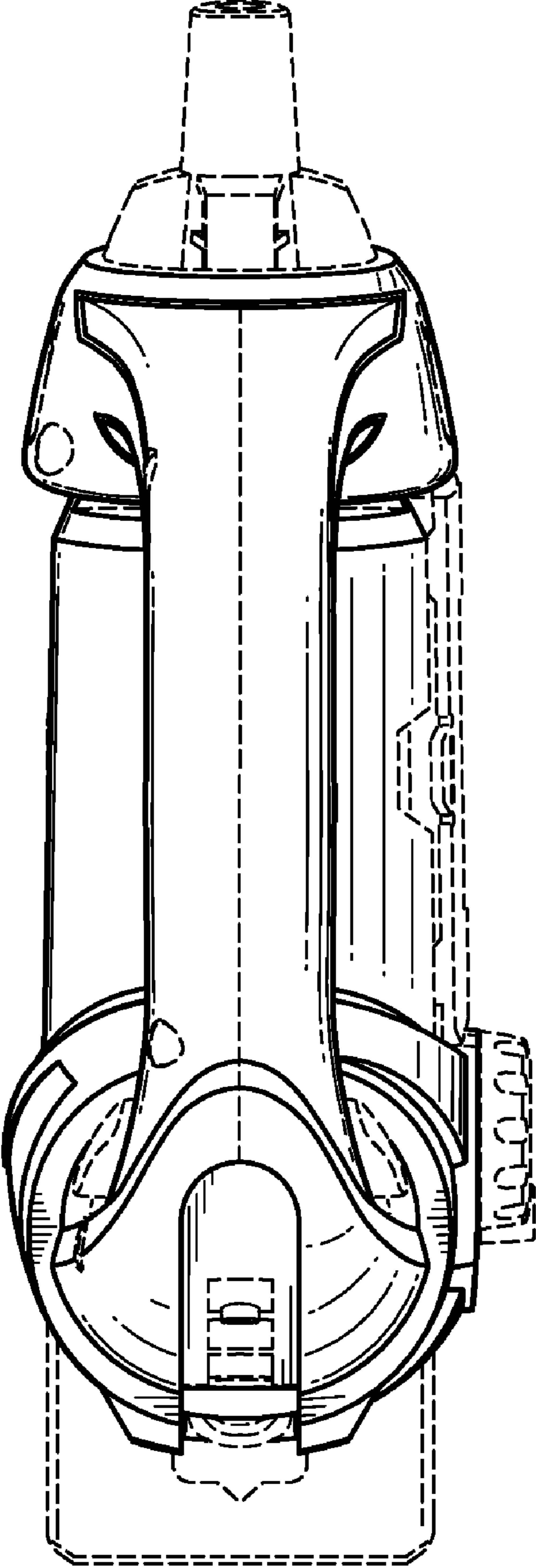




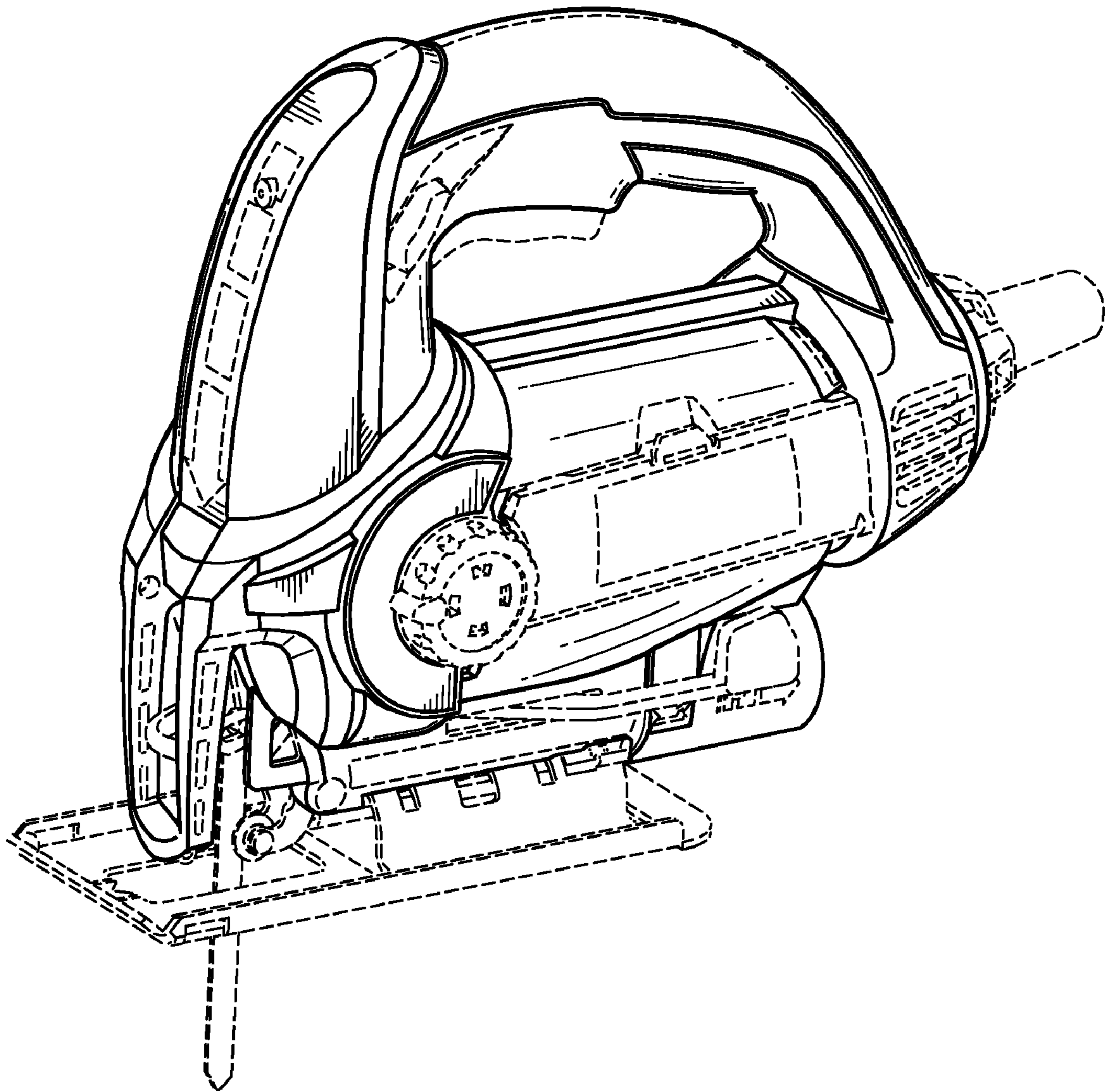
***FIG. 3***



***FIG. 4***



***FIG. 5***



***FIG. 6***