



US00D574684S

(12) **United States Design Patent**  
**Kim**

(10) **Patent No.:** **US D574,684 S**

(45) **Date of Patent:** **\*\* Aug. 12, 2008**

(54) **TOOL FOR FIXING REDUCER FOR  
SPRINKLER IN SIDE WALL**

(75) Inventor: **Hyung Soo Kim**, Jungnang-gu (KR)

(73) Assignees: **Yong Wong E.N.C. Ltd.**,  
Yeongdeungpo-gu (KR); **Morti Hirsch**,  
New York, NY (US)

(\*\*) Term: **14 Years**

(21) Appl. No.: **29/285,516**

(22) Filed: **Mar. 30, 2007**

(51) **LOC (8) Cl.** ..... **08-05**

(52) **U.S. Cl.** ..... **D8/51**

(58) **Field of Classification Search** ..... D8/14,  
D8/51, 59, 71, 72, 73, 74, 373; 29/256, 257,  
29/263, 272, 264, 273; 81/488  
See application file for complete search history.

(56) **References Cited**

U.S. PATENT DOCUMENTS

1,019,605	A *	3/1912	Cummings	81/302
3,722,065	A *	3/1973	Harris	29/237
4,305,438	A *	12/1981	Spinoso et al.	141/98
5,088,360	A *	2/1992	Lish	81/180.1
5,367,756	A *	11/1994	Huetinck	29/237
5,893,201	A *	4/1999	Myers	29/268

D456,226	S *	4/2002	Doshay	D8/26
6,378,909	B1 *	4/2002	Rogers et al.	285/39
6,487,942	B1 *	12/2002	Carter et al.	81/426.5
6,575,252	B2 *	6/2003	Reed	169/90
D523,736	S *	6/2006	Lu	D8/373
D562,660	S *	2/2008	Kim	D8/51

\* cited by examiner

*Primary Examiner*—Philip S Hyder

(74) *Attorney, Agent, or Firm*—Day Pitney LLP

(57) **CLAIM**

The ornamental design for the tool for fixing reducer for sprinkler in side wall, as shown.

**DESCRIPTION**

FIG. 1 is a perspective view of a tool for fixing a reducer for sprinkler in a side wall showing new design;

FIG. 2 is a front view thereof;

FIG. 3 is a rear view thereof;

FIG. 4 is a left-side view thereof;

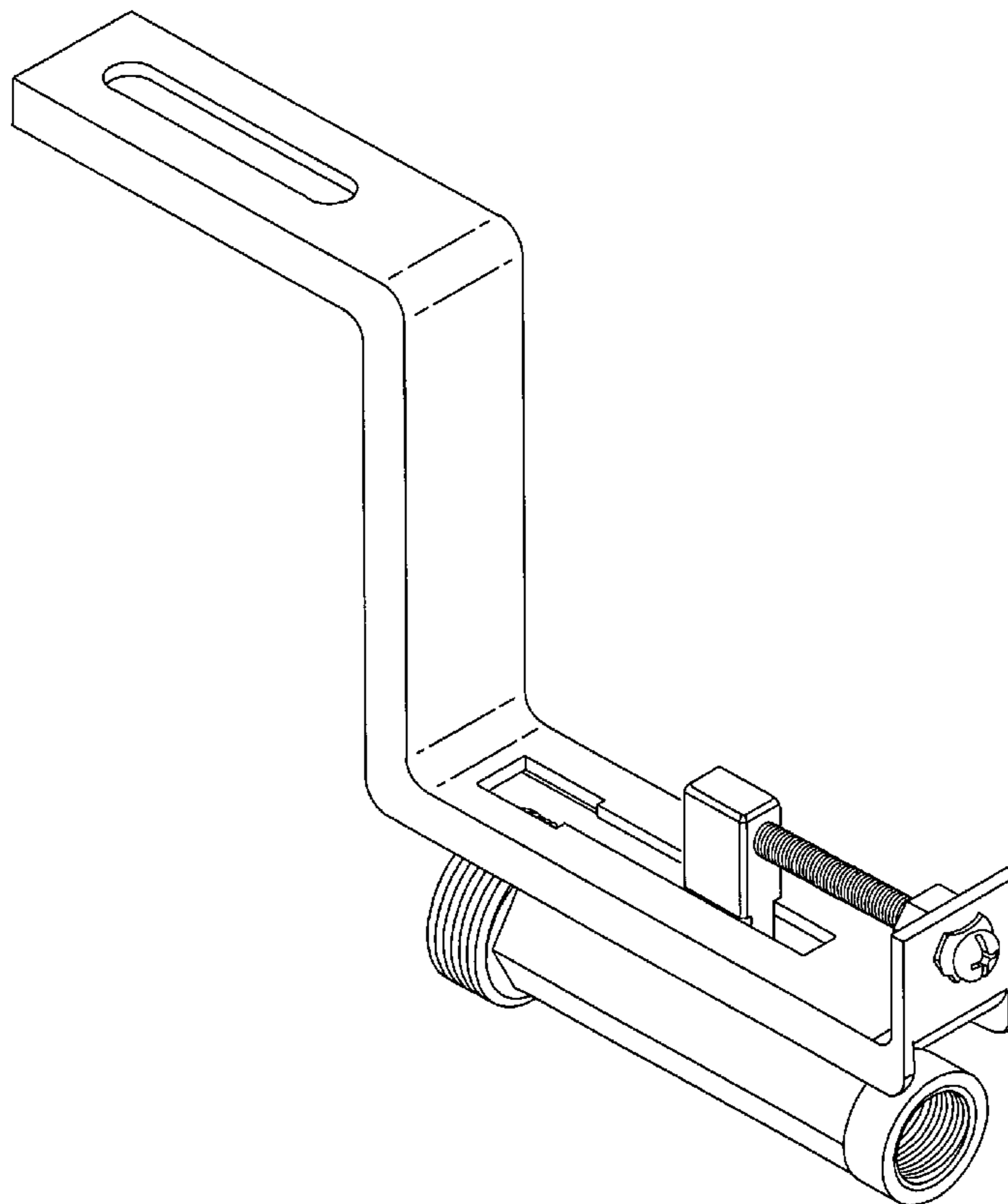
FIG. 5 is a right-side view thereof;

FIG. 6 is a top plan view thereof;

FIG. 7 is a bottom view thereof; and,

FIG. 8 is another perspective view thereof.

**1 Claim, 6 Drawing Sheets**



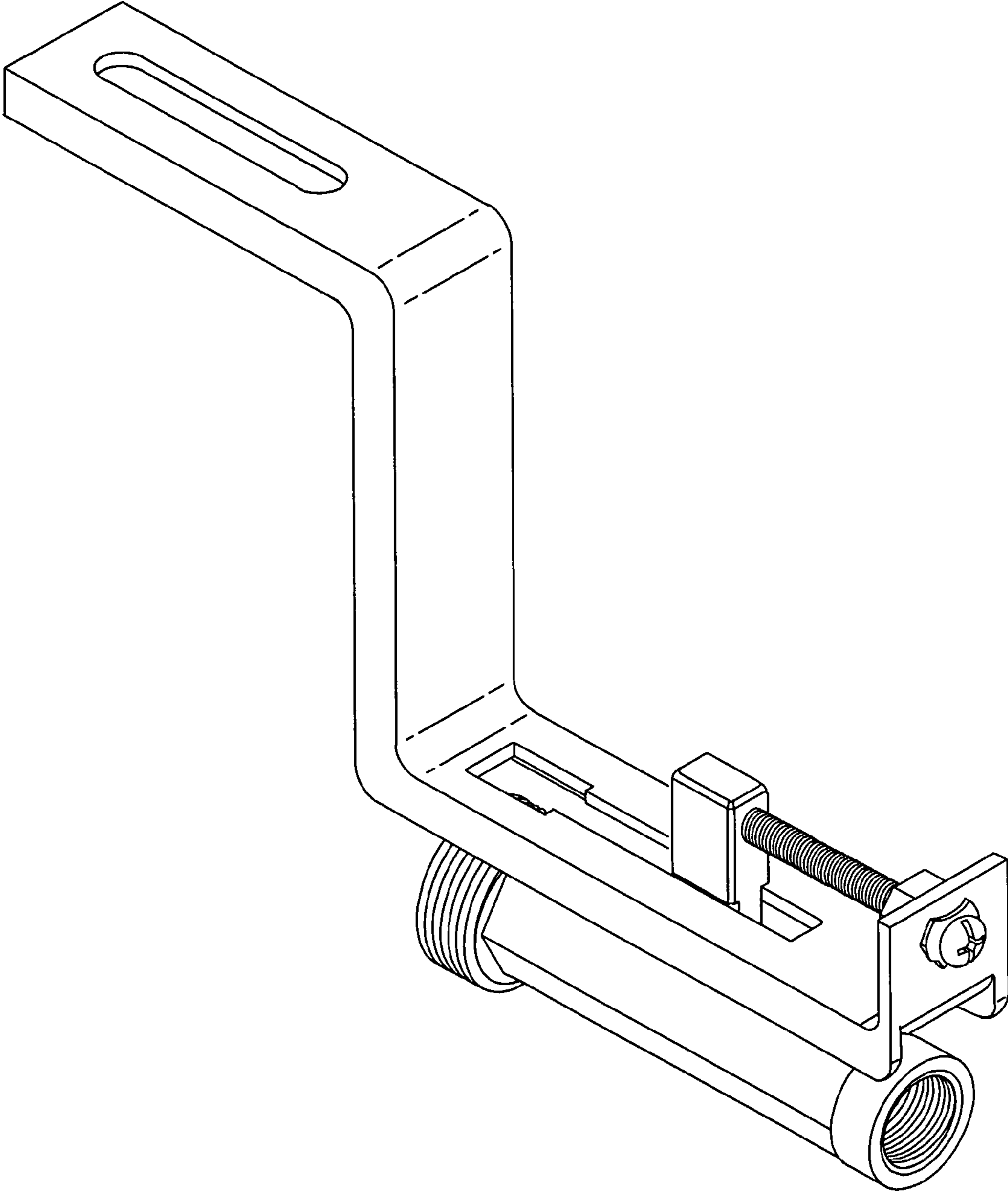


FIG. 1

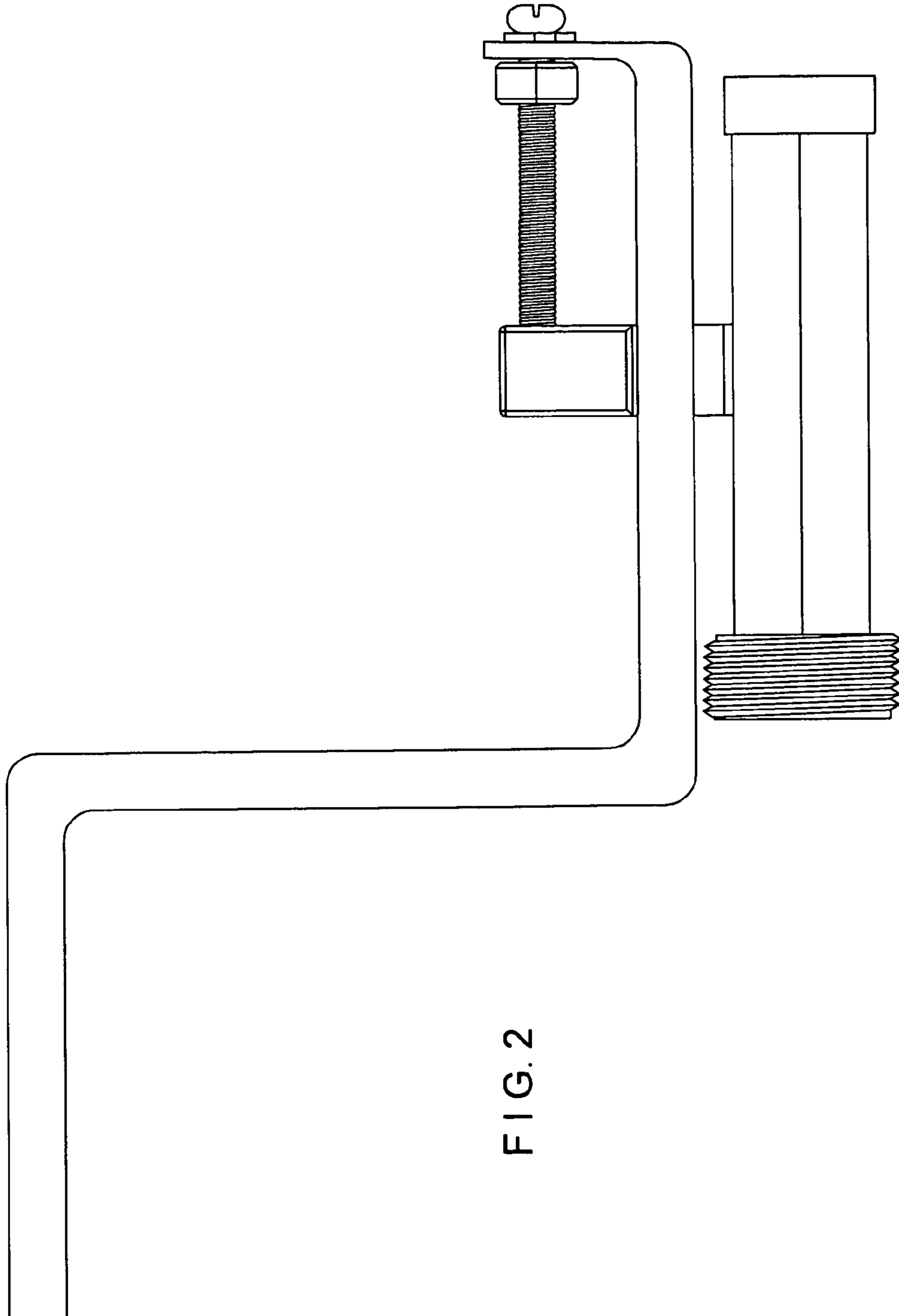
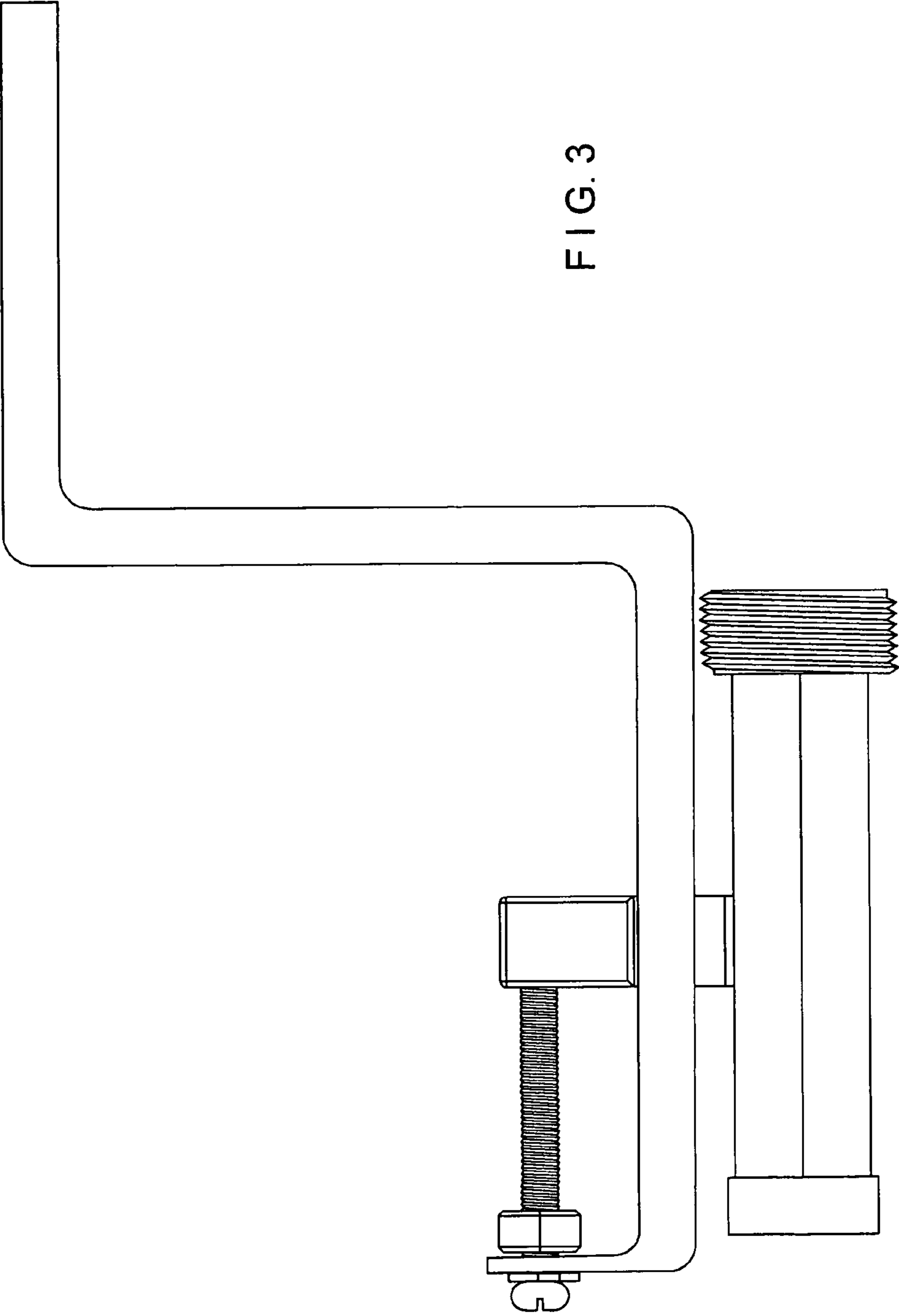


FIG. 2



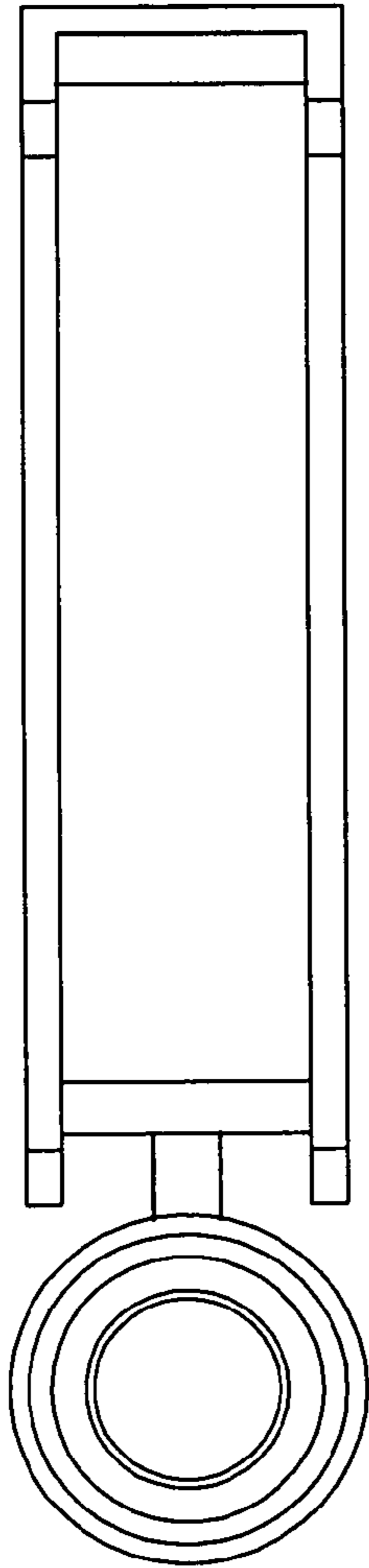


FIG. 4

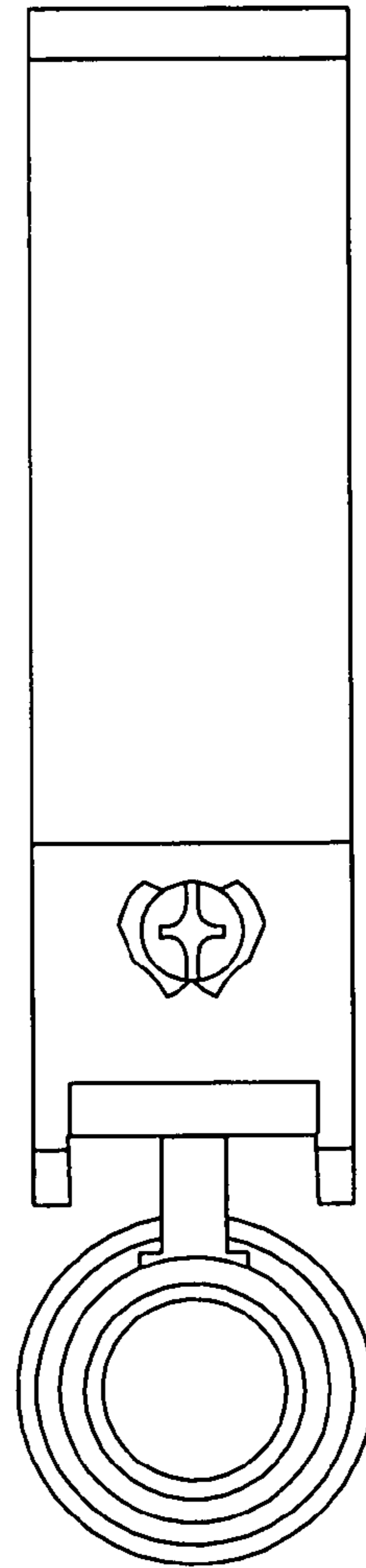


FIG. 5

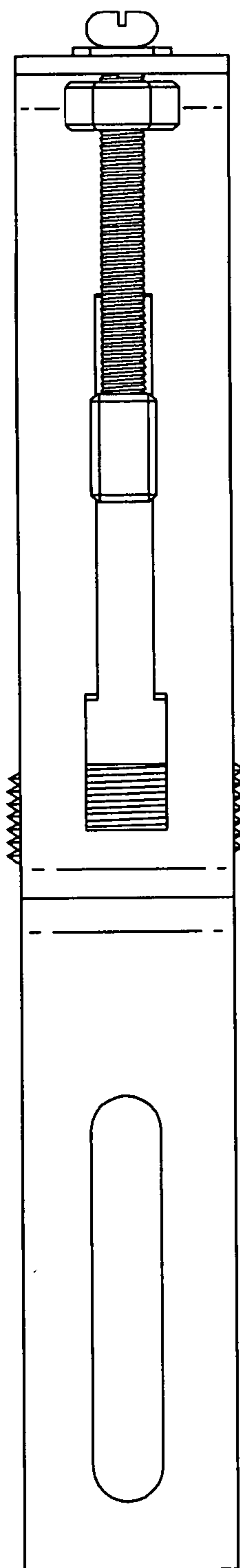


FIG. 6

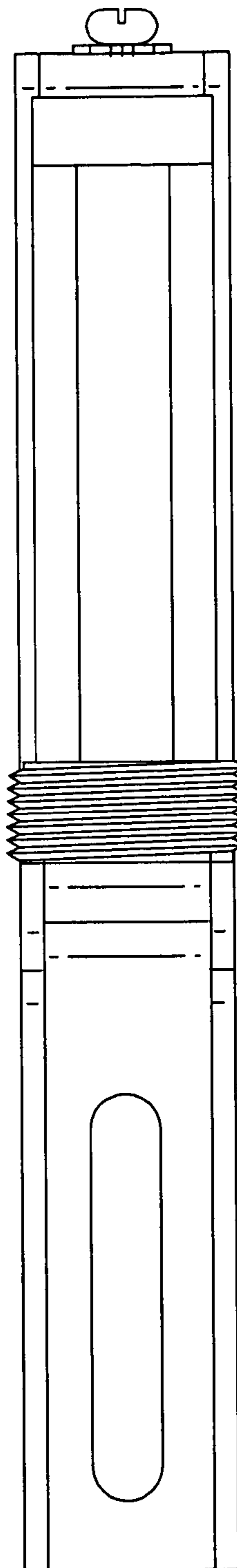


FIG. 7

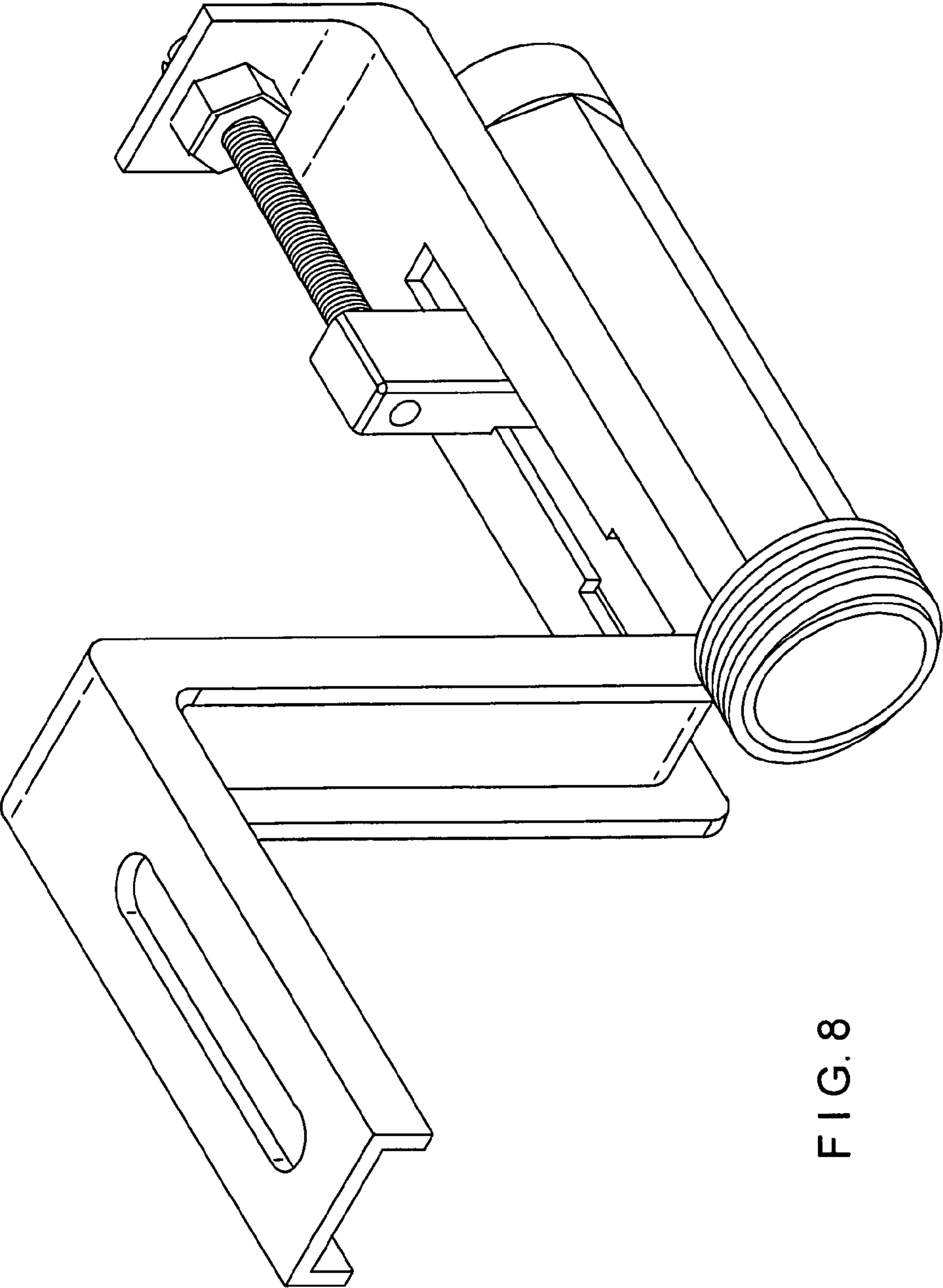


FIG. 8