



US00D574679S

(12) **United States Design Patent**
Denby

(10) **Patent No.:** **US D574,679 S**

(45) **Date of Patent:** **** Aug. 12, 2008**

(54) **HUB AND CHAIN GRASS CUTTING DEVICE**

(76) Inventor: **Christopher R. Denby**, 981 County Rd.,
1450, Center, TX (US) 75935

(**) Term: **14 Years**

(21) Appl. No.: **29/266,071**

(22) Filed: **Sep. 14, 2006**

(51) **LOC (8) Cl.** **08-01**

(52) **U.S. Cl.** **D8/8**

(58) **Field of Classification Search** D8/8,
D8/9; 30/276; 56/12.7

See application file for complete search history.

(56) **References Cited**

U.S. PATENT DOCUMENTS

4,259,782	A *	4/1981	Proulx	30/276
D262,512	S *	1/1982	Moore	D8/8
4,571,831	A *	2/1986	White, III	30/276
D298,905	S *	12/1988	Petherick et al.	D8/8
D303,067	S *	8/1989	Pinson et al.	D8/8
D347,150	S *	5/1994	Falconbridge	D8/8
D379,052	S *	5/1997	Skinner	D8/8
D399,104	S *	10/1998	Sutliff et al.	D8/8
6,148,523	A *	11/2000	Everts et al.	30/276
6,374,585	B1 *	4/2002	Legrand	56/12.7
6,519,857	B1 *	2/2003	Proulx et al.	30/276
D496,840	S *	10/2004	Iacona	D8/8
6,928,741	B2 *	8/2005	Proulx et al.	30/276
D532,263	S *	11/2006	Iacona	D8/8

* cited by examiner

Primary Examiner—Holly H. Baynham

Assistant Examiner—Sheryl Friedman

(74) *Attorney, Agent, or Firm*—John M. Harrison

(57) **CLAIM**

The ornamental design for a hub and chain grass cutting device, as shown and described.

DESCRIPTION

FIG. 1 is a front perspective view of the hub and chain grass cutting device showing my new design;

FIG. 2 is a rear perspective view of the hub and chain grass cutting device;

FIG. 3 is a front elevational view;

FIG. 4 is a rear elevational view;

FIG. 5 is a top plan view;

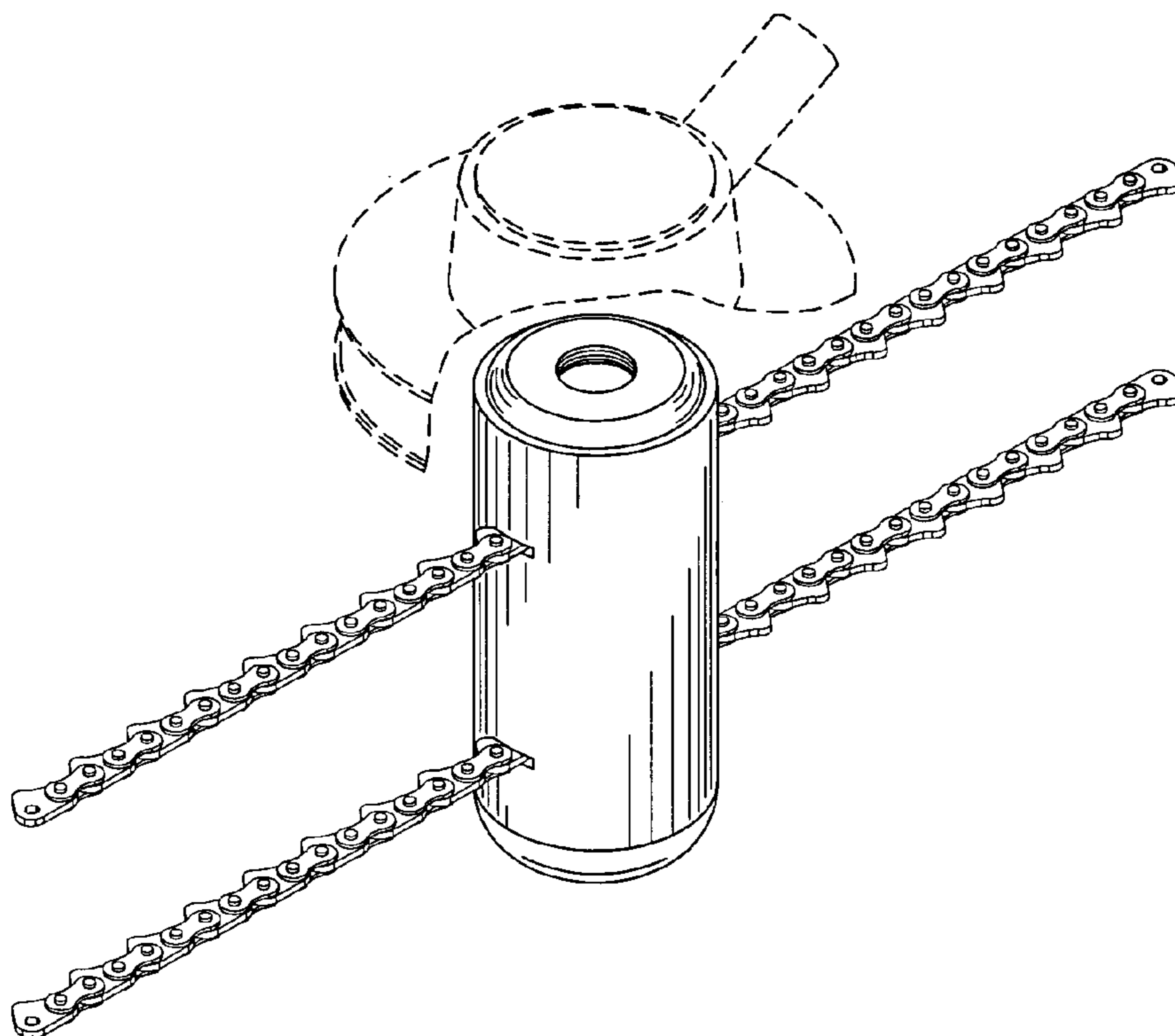
FIG. 6 is a bottom plan view;

FIG. 7 is a left side elevational view; and,

FIG. 8 is a right side elevational view of the hub and chain grass cutting device illustrated in FIGS. 1—7.

The broken lines illustrating a partial view of a driving device for receiving the Hub and chain grass cutting device are for illustrative purposes only and form no part of the claimed design.

1 Claim, 3 Drawing Sheets



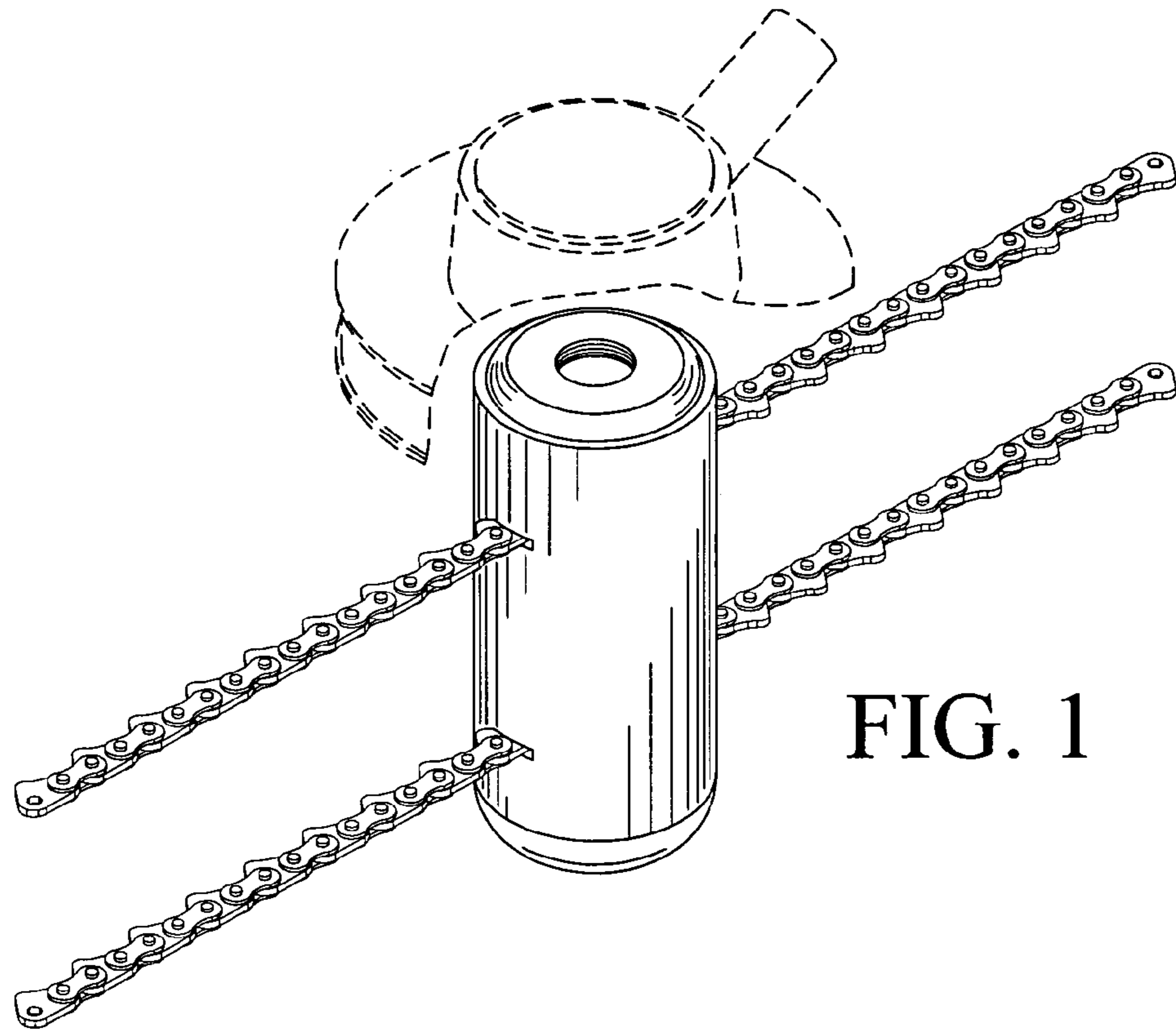


FIG. 1

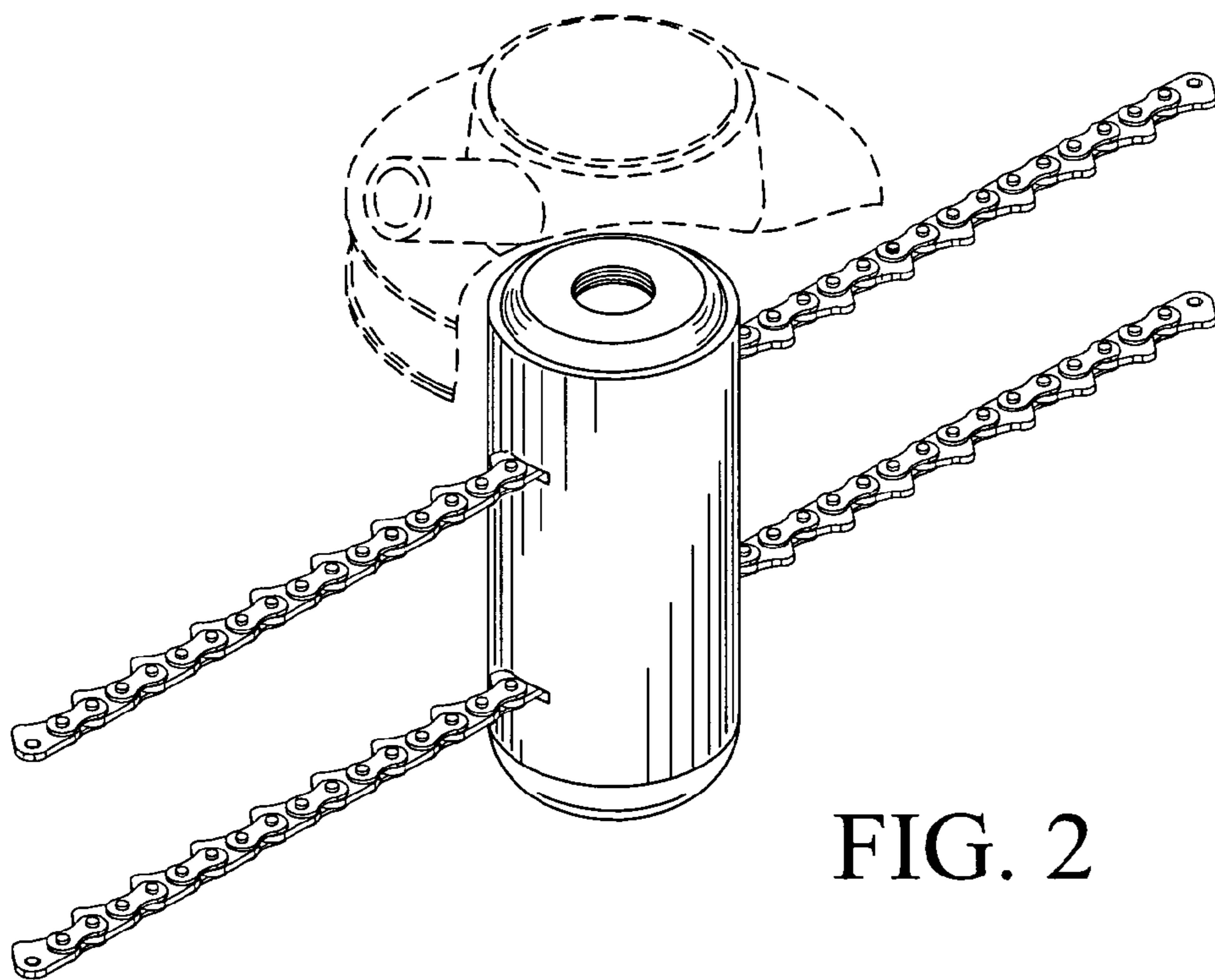


FIG. 2

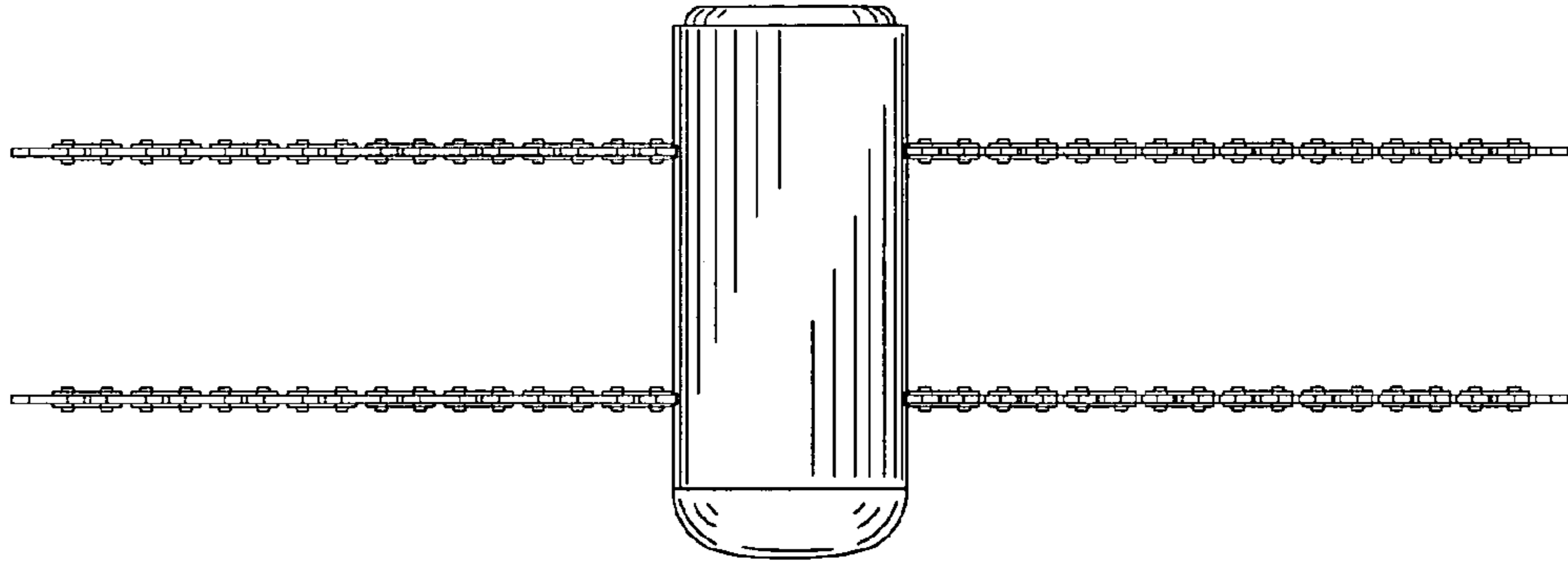


FIG. 3

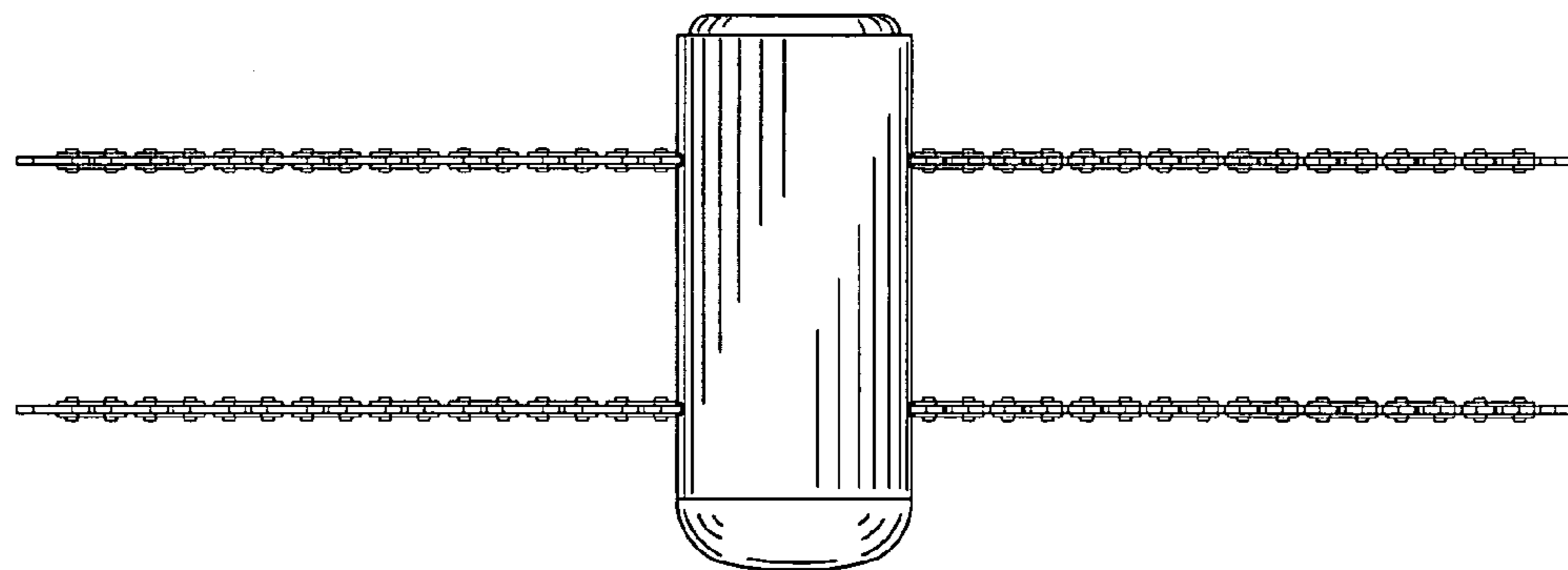


FIG. 4

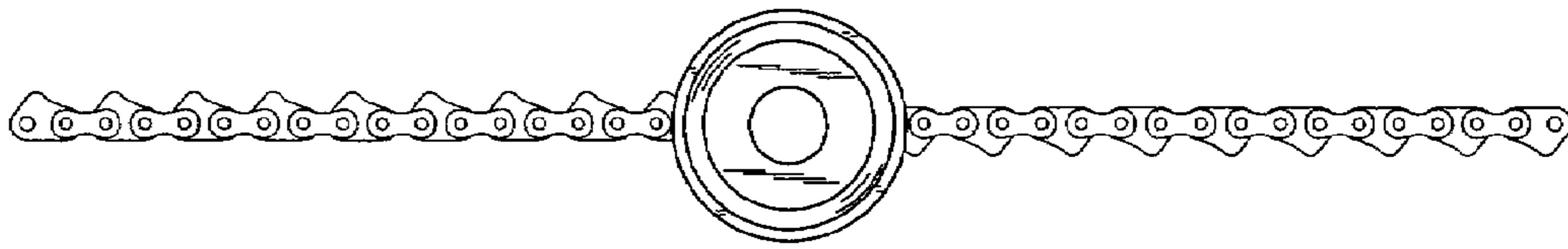


FIG. 5

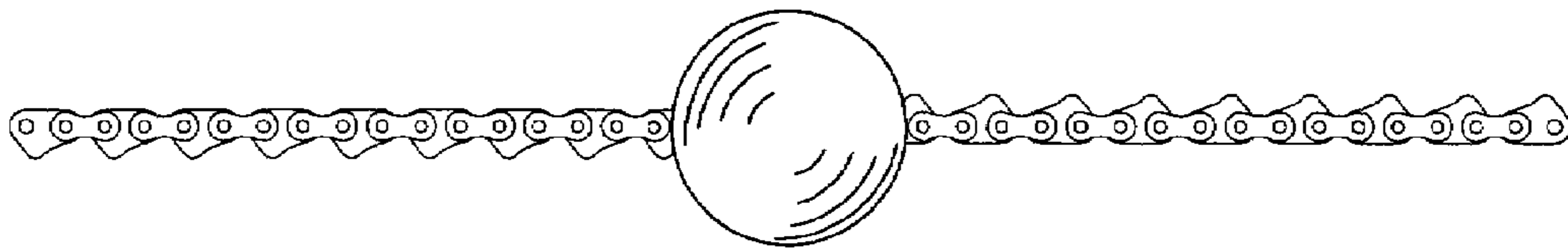


FIG. 6

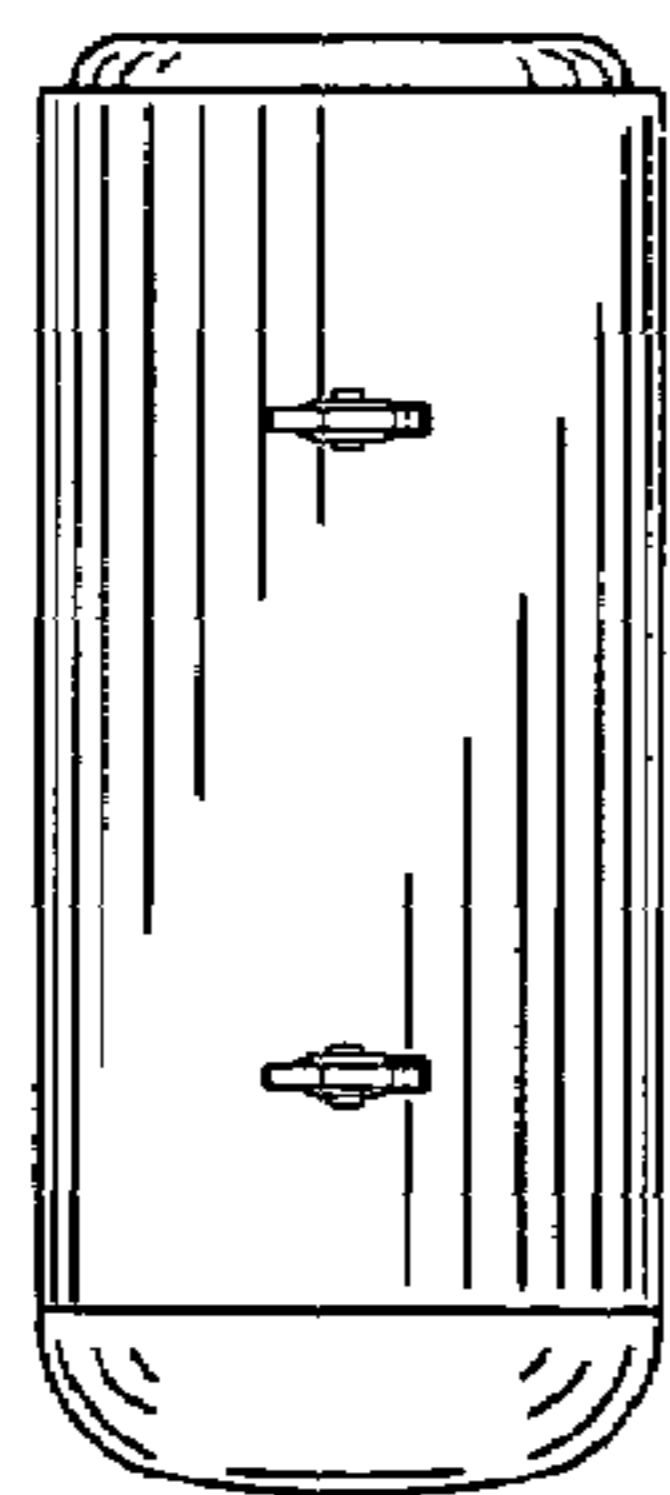


FIG. 7

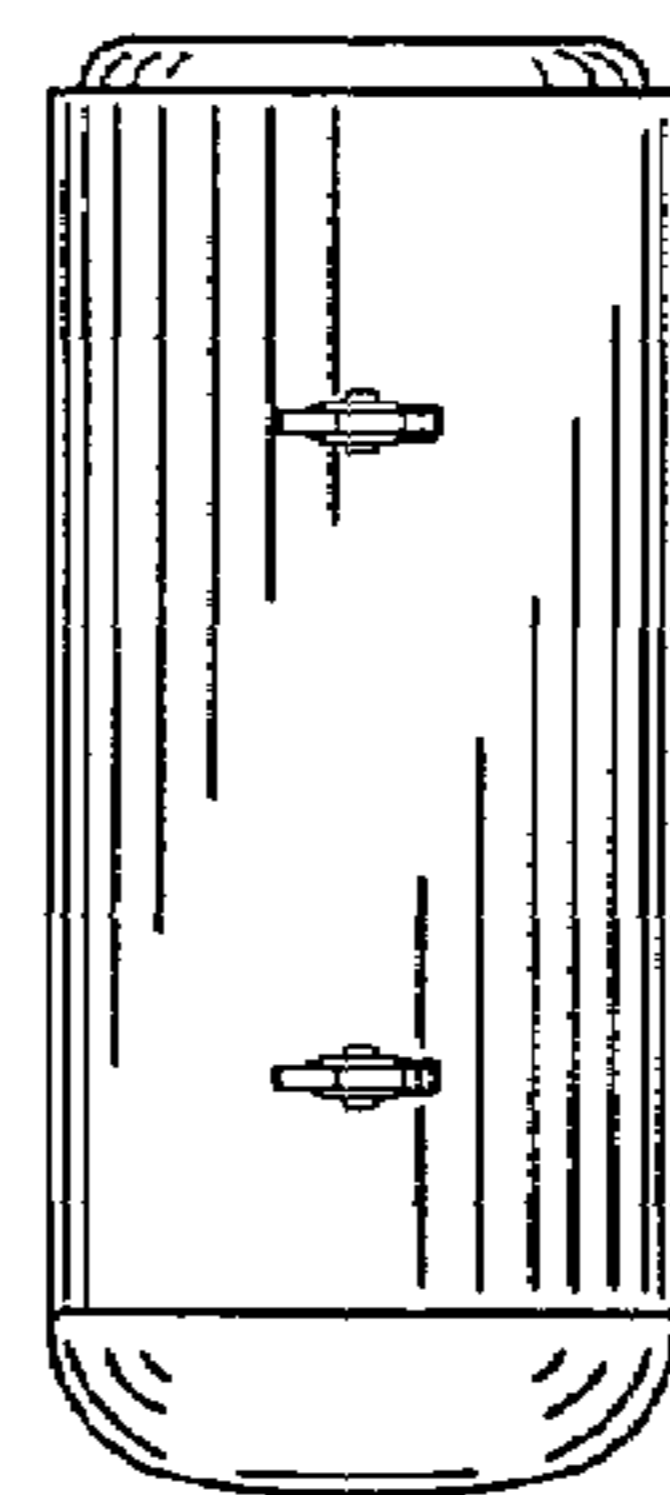


FIG. 8