



US00D574675S

(12) **United States Design Patent**
Debuyer

(10) **Patent No.:** **US D574,675 S**

(45) **Date of Patent:** **** Aug. 12, 2008**

(54) **FOOD SLICER**

(76) **Inventor:** **Julien Debuyer**, P.O. Box 2 F-38340, La Val B'ajol (FR)

(**) **Term:** **14 Years**

(21) **Appl. No.:** **29/275,573**

(22) **Filed:** **Dec. 29, 2006**

(51) **LOC (8) Cl.** **07-04**

(52) **U.S. Cl.** **D7/673**

(58) **Field of Classification Search** D7/672,
D7/673, 693, 677, 678, 695; 83/437.5, 932,
83/437.7, 856, 441.1, 247, 699.51, 431, 435.15,
83/425.3, 699.61; 241/273.1-273.4, 93,
241/95, 168, 169, 101.1; 30/278-291
See application file for complete search history.

(56) **References Cited**

U.S. PATENT DOCUMENTS

1,974,194	A *	9/1934	Phillips	241/101.1
3,495,639	A *	2/1970	Johansson	241/95
4,038,892	A *	8/1977	Popeil	83/874
D400,767	S *	11/1998	de Saint-Genois	D7/673
6,732,622	B2 *	5/2004	Vincent	83/247
D495,218	S *	8/2004	Yu	D7/673
D505,301	S *	5/2005	Wong	D7/673
D532,261	S *	11/2006	Mellen et al.	D7/673

OTHER PUBLICATIONS

Chef's Food Slicer, manufactured by DeBuyer, 4 photos taken on Jan. 8, 2007. Product on sale or in public use prior to filing date of Dec. 29, 2006.

Mandoline Classic, manufactured by Debuyer Industries, 7 photos, product shown in a printed publication in a foreign country and offered for sale in the U.S. prior to Dec. 29, 2005.

Chef's Food Slicer, 4 photos, product on sale or in public use prior to Dec. 9, 2006.

* cited by examiner

Primary Examiner—Terry A Wallace

(74) *Attorney, Agent, or Firm*—Squire Sanders & Dempsey LLP

(57) **CLAIM**

The ornamental design for a food slicer, as shown and described.

DESCRIPTION

FIG. 1 is a perspective view of a food slicer showing our new design.

FIG. 2 is a left side view of the food slicer of FIG. 1.

FIG. 3 is a right side view of the food slicer of FIG. 1.

FIG. 4 is a bottom view of the food slicer of FIG. 1.

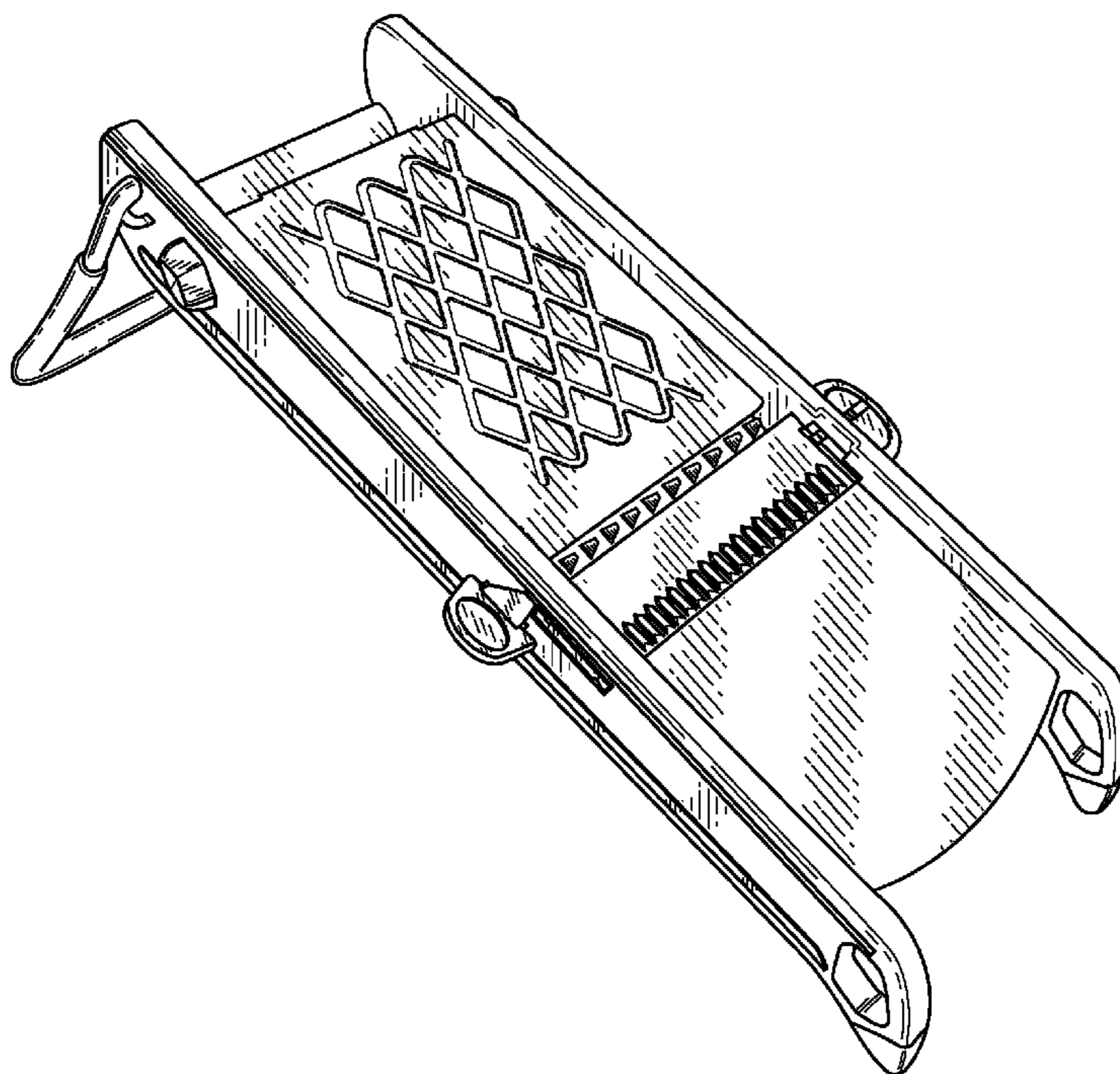
FIG. 5 is a top view of the food slicer of FIG. 1.

FIG. 6 is a front view of the food slicer of FIG. 1.

FIG. 7 is a rear view of the food slicer of FIG. 1; and,

FIG. 8 is another perspective view of the food slicer of FIG. 1.

1 Claim, 7 Drawing Sheets



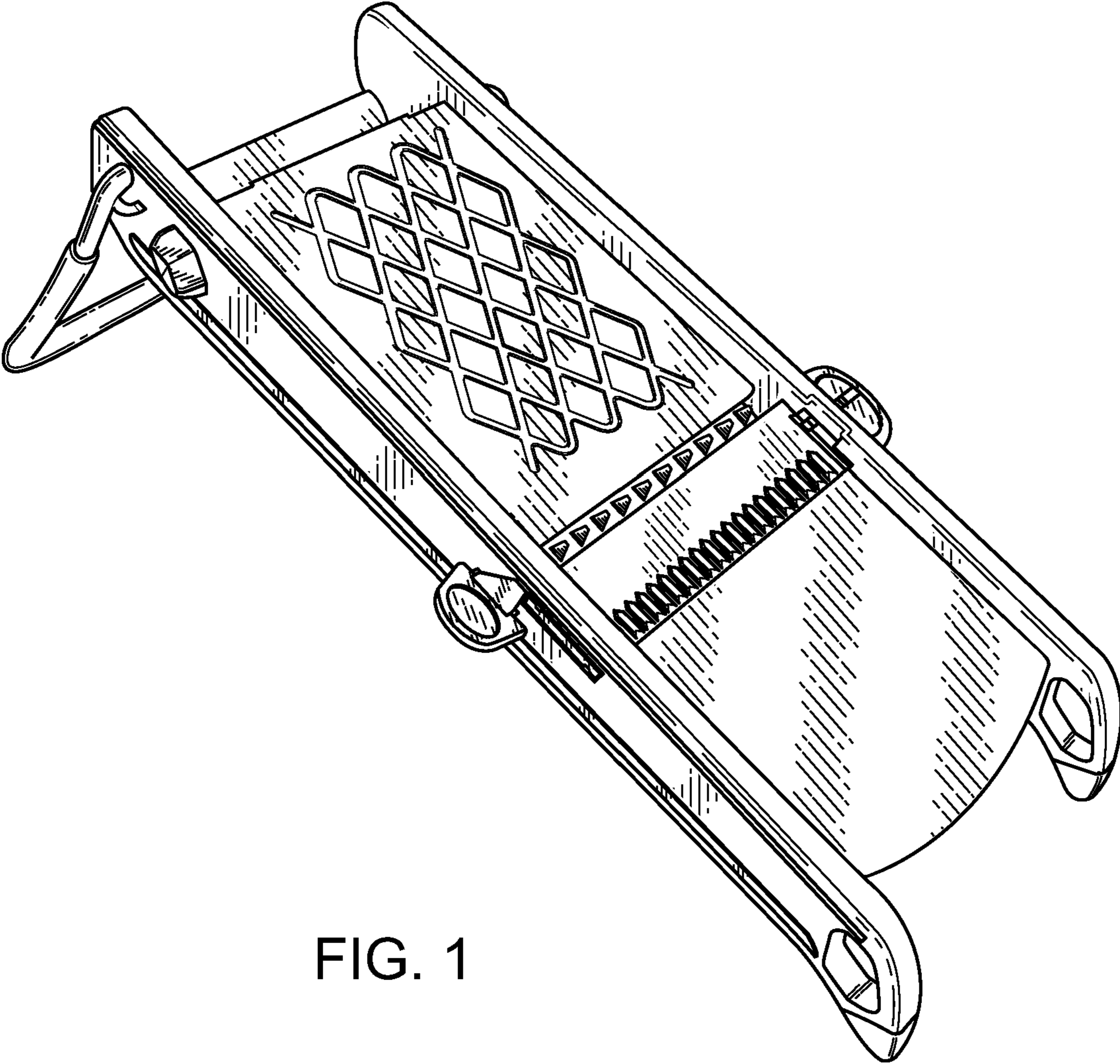


FIG. 1

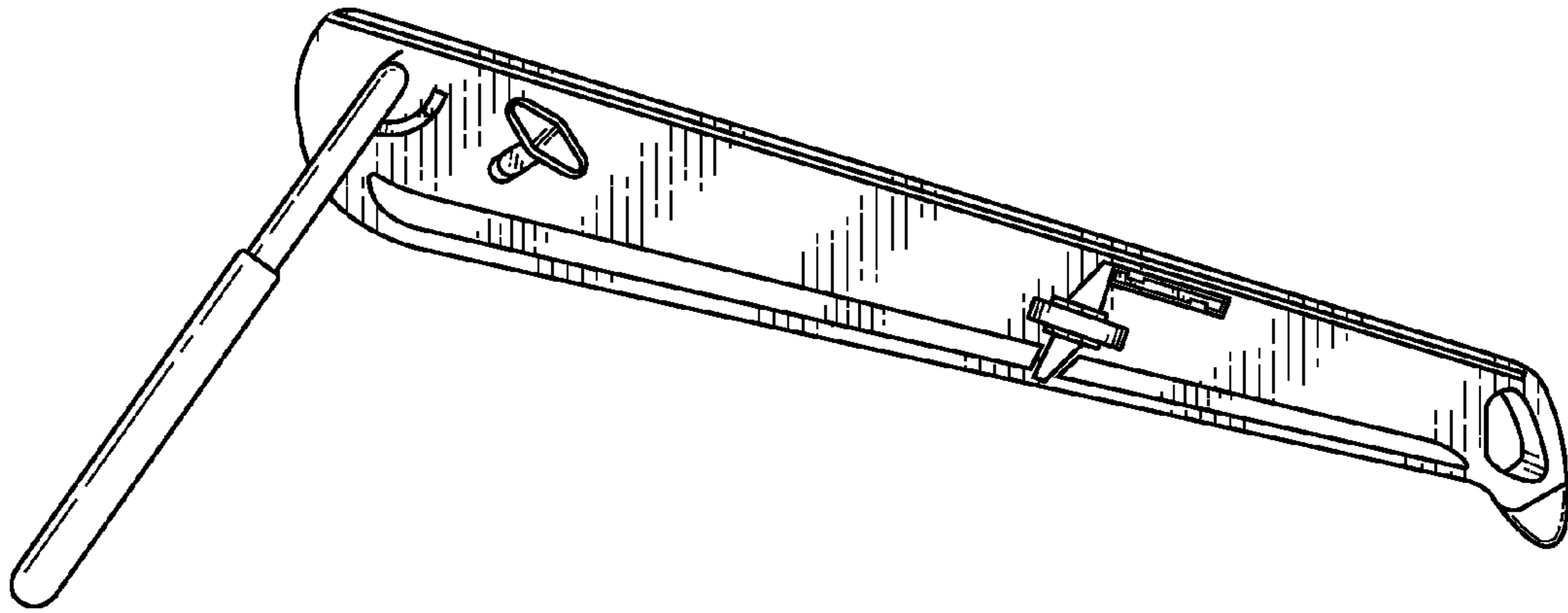


FIG. 2

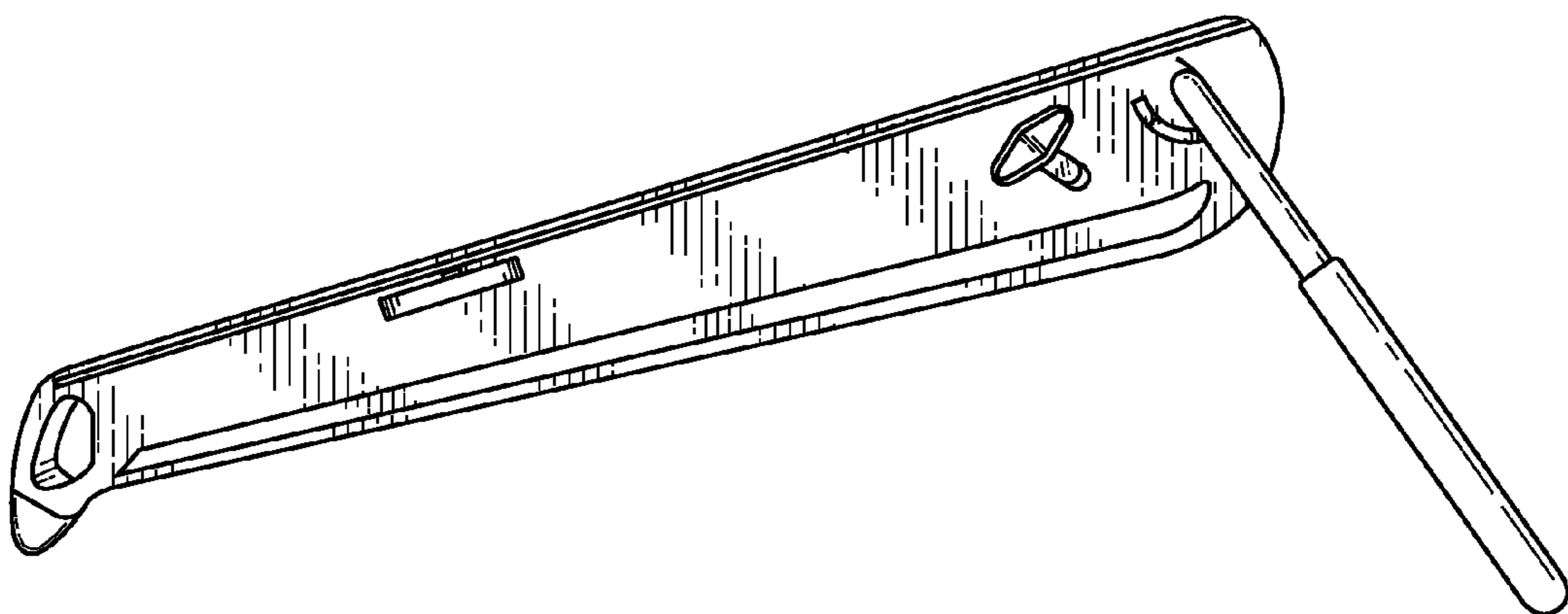


FIG. 3

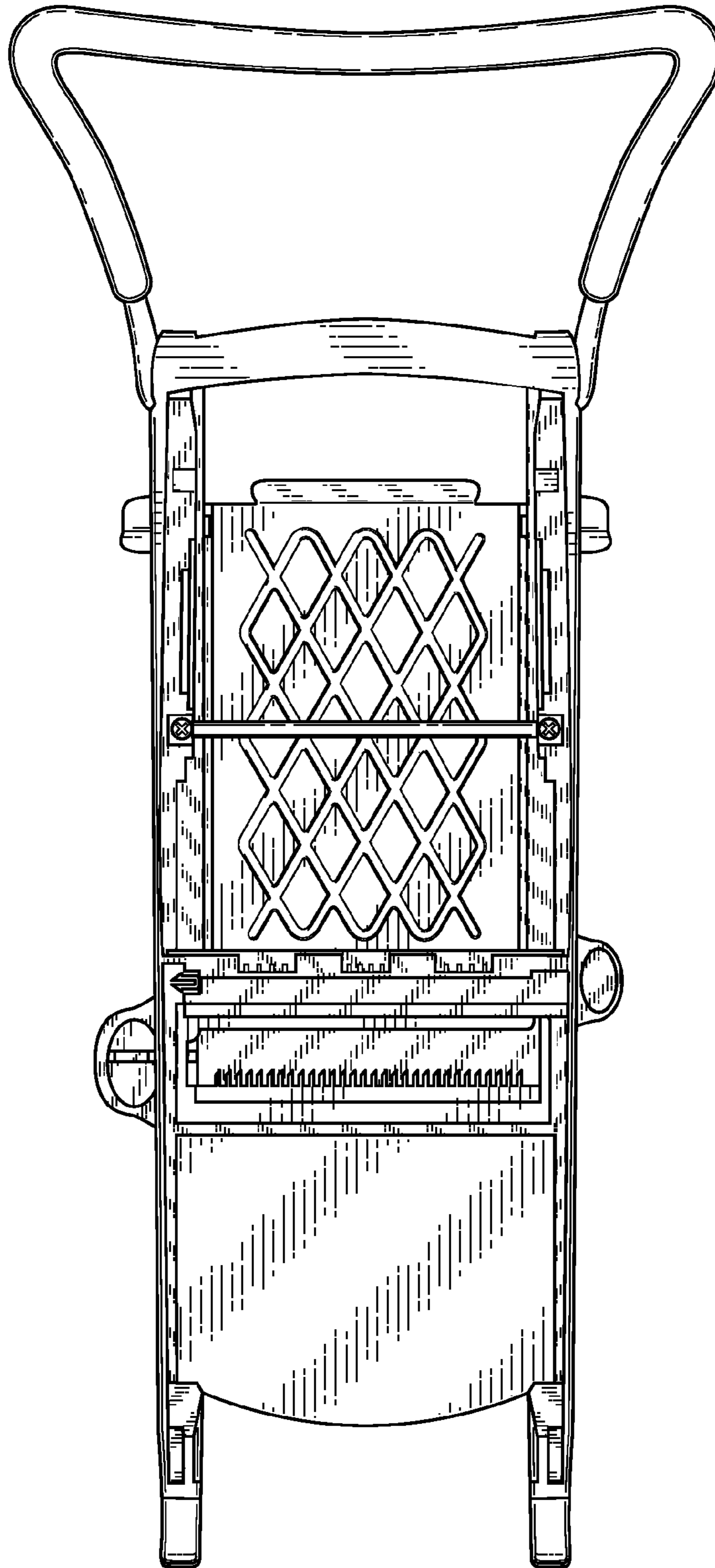


FIG. 4

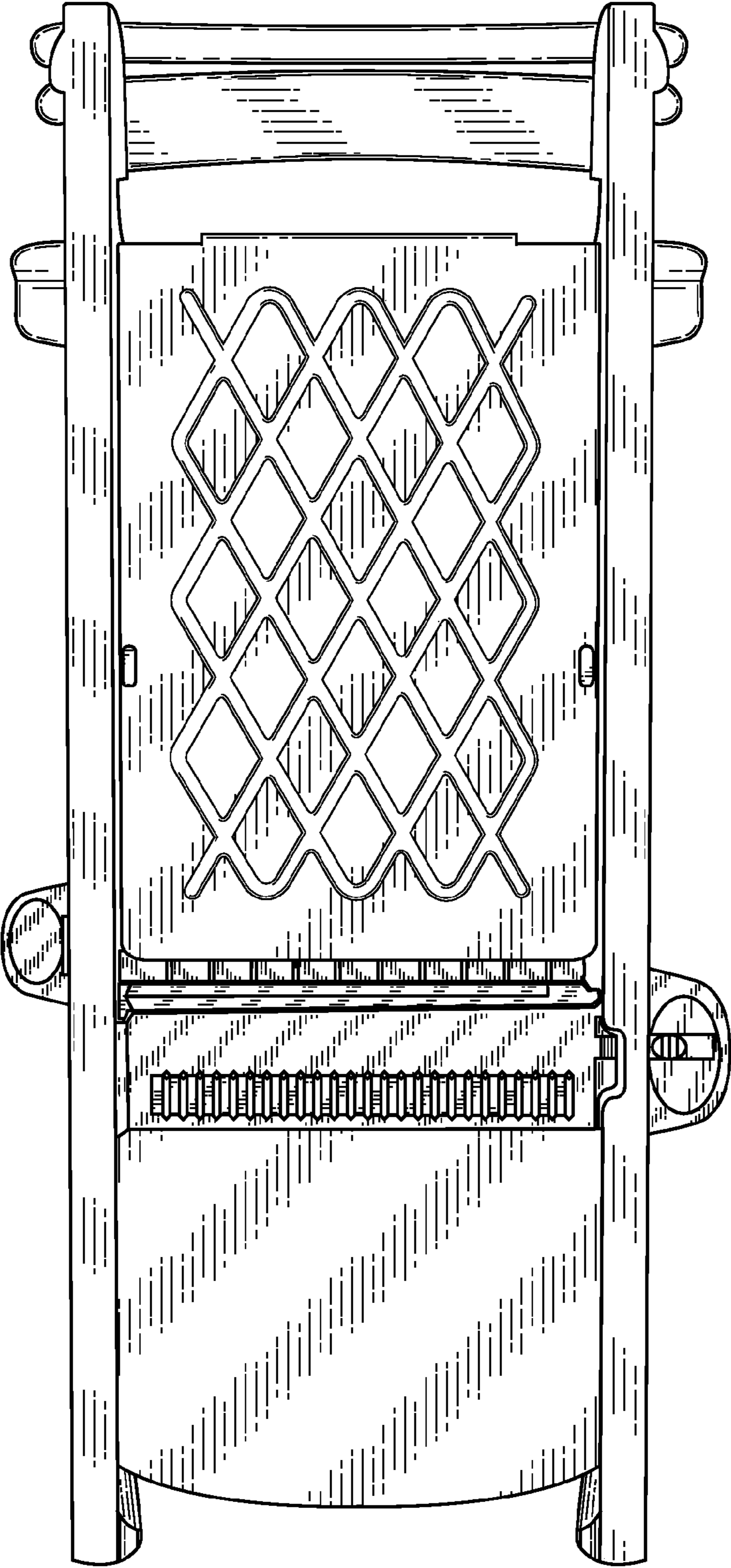


FIG. 5

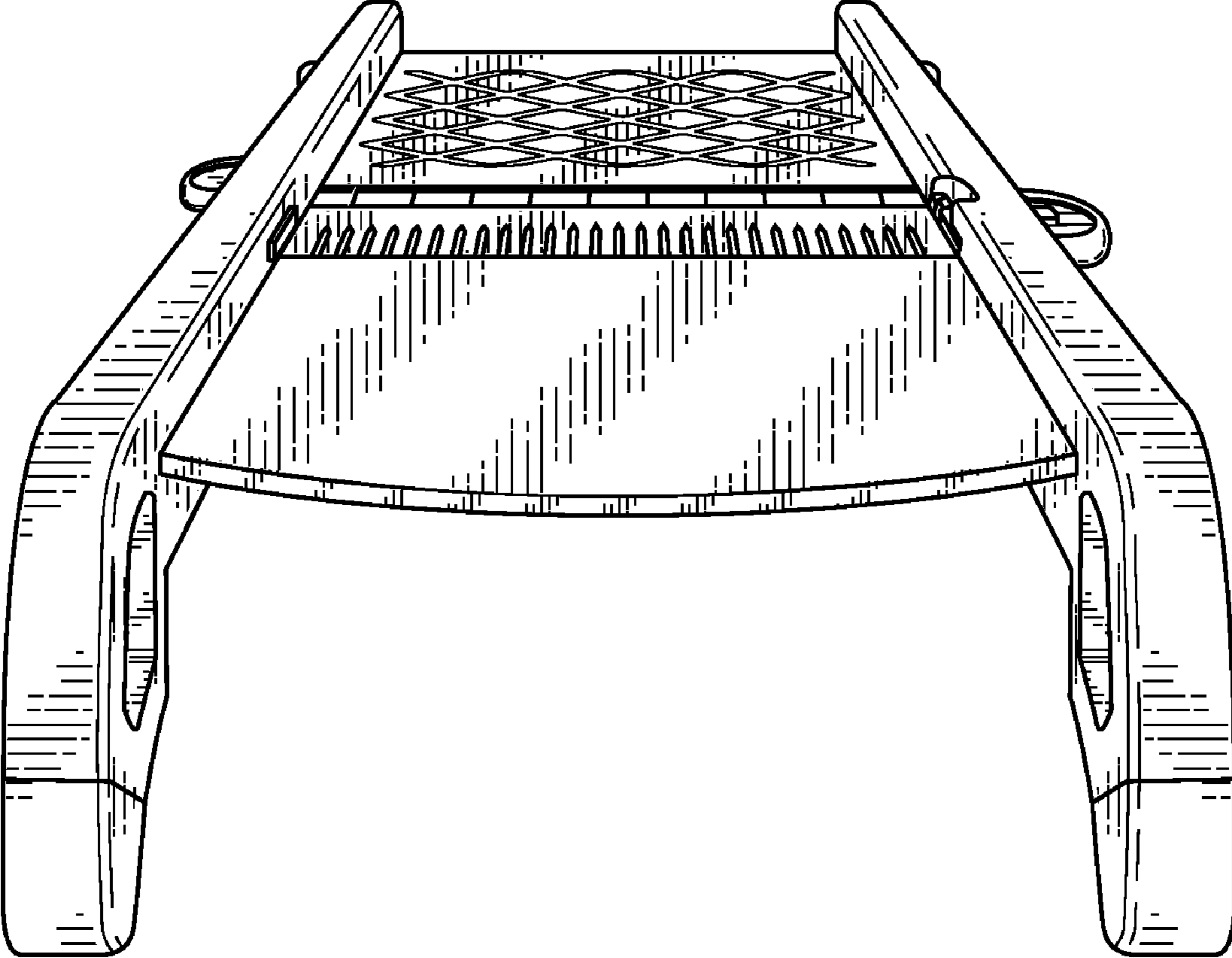


FIG. 6

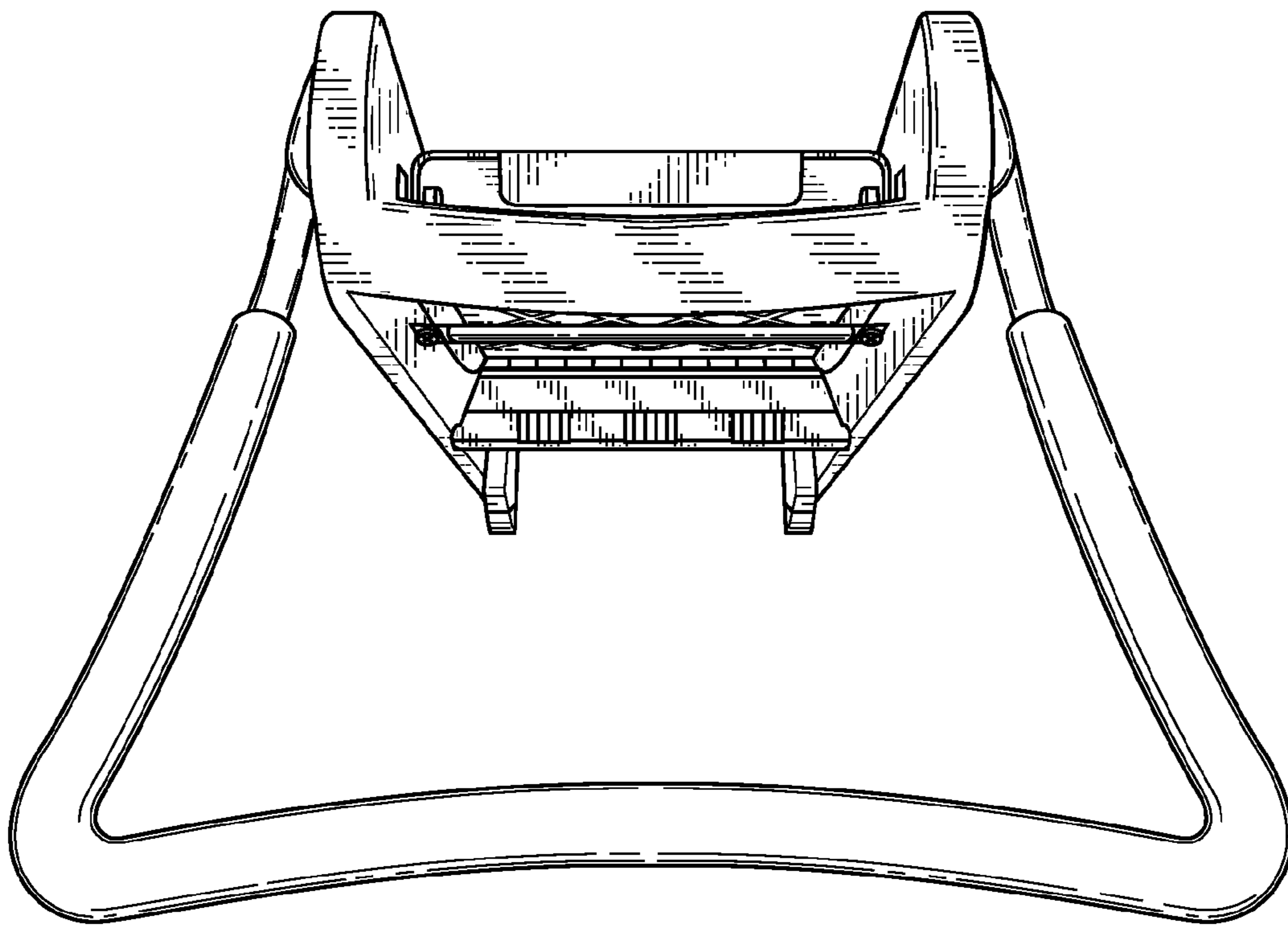


FIG. 7

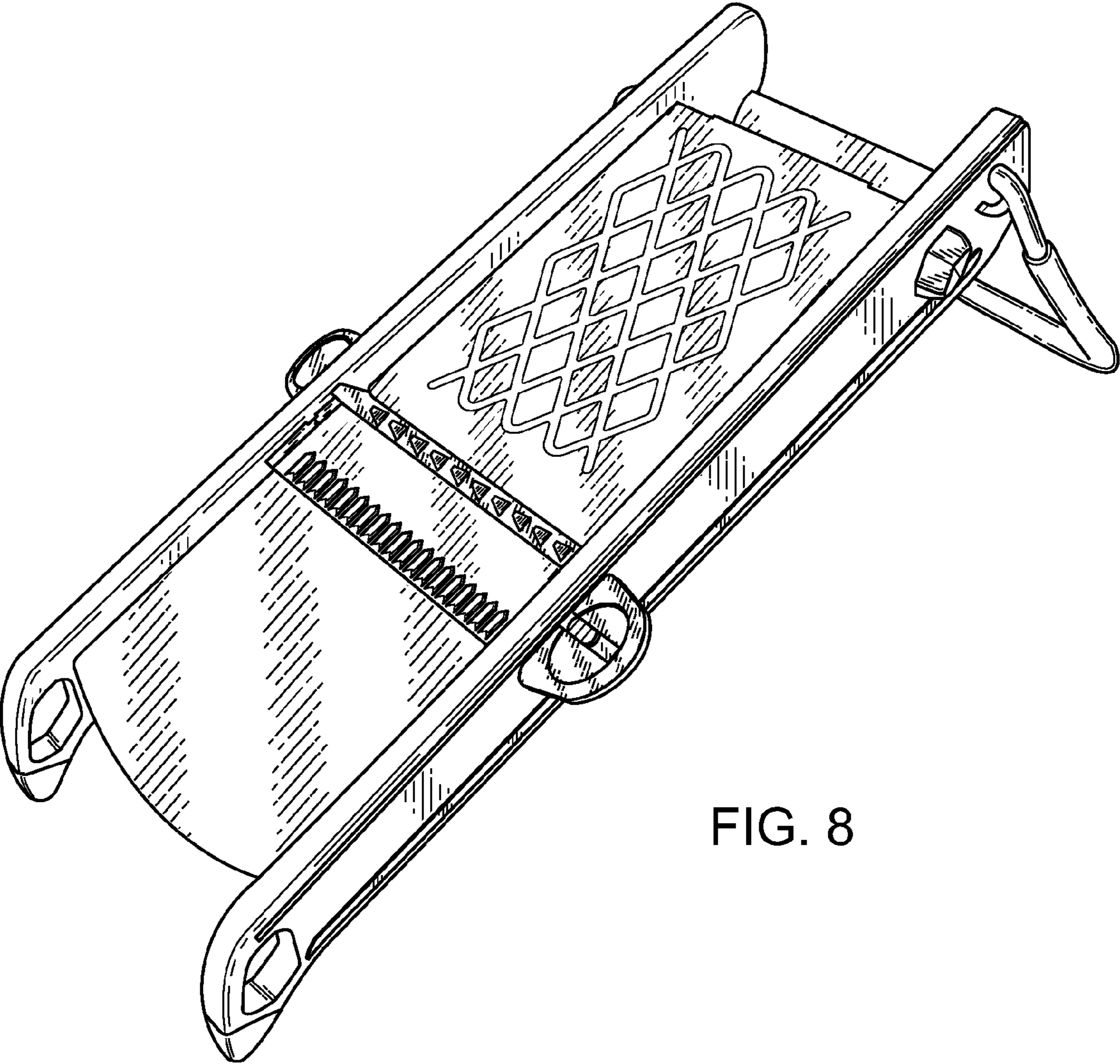


FIG. 8