



US00D574673S

(12) **United States Design Patent**
Tsui

(10) **Patent No.:** **US D574,673 S**

(45) **Date of Patent:** **** Aug. 12, 2008**

(54) **COLLAPSIBLE COLANDER WITH A
STAINLESS STEEL MESH STRAINER BASE**

2005/0127073 A1* 6/2005 Kusuma et al. 220/6
2006/0096929 A1* 5/2006 Repp et al. 210/740

(76) Inventor: **Sam Tung Tsui**, Unit E. 11th Floor,
Summit Building, 30 Man Yue Street,
Hung Hom, Kowloon, Hong Kong (CN)

* cited by examiner

Primary Examiner—Terry A Wallace
(74) *Attorney, Agent, or Firm*—Nath Law Group; Jerald L.
Meyer; Derek Richmond

(**) Term: **14 Years**

(21) Appl. No.: **29/287,859**

(57) **CLAIM**

(22) Filed: **Sep. 27, 2007**

The ornamental design for a collapsible colander with a stain-
less steel mesh strainer base, as shown and described.

(51) **LOC (8) Cl.** **07-04**

(52) **U.S. Cl.** **D7/667**

(58) **Field of Classification Search** D7/667,
D7/668, 400, 584, 587, 588; 210/464, 465,
210/470–478, 498, 499; 99/455, 501–513;
220/6, 8

See application file for complete search history.

DESCRIPTION

FIG. 1 is a front perspective view of a collapsible colander
with a stainless steel mesh strainer base showing my new
design;

FIG. 2 is a top plan view thereof;

FIG. 3 is a bottom plan view thereof;

FIG. 4 is a side view thereof;

FIG. 5 is a front perspective view thereof in a collapsed
configuration;

FIG. 6 is a top plan view of FIG. 5;

FIG. 7 is a bottom plan view of FIG. 5; and,

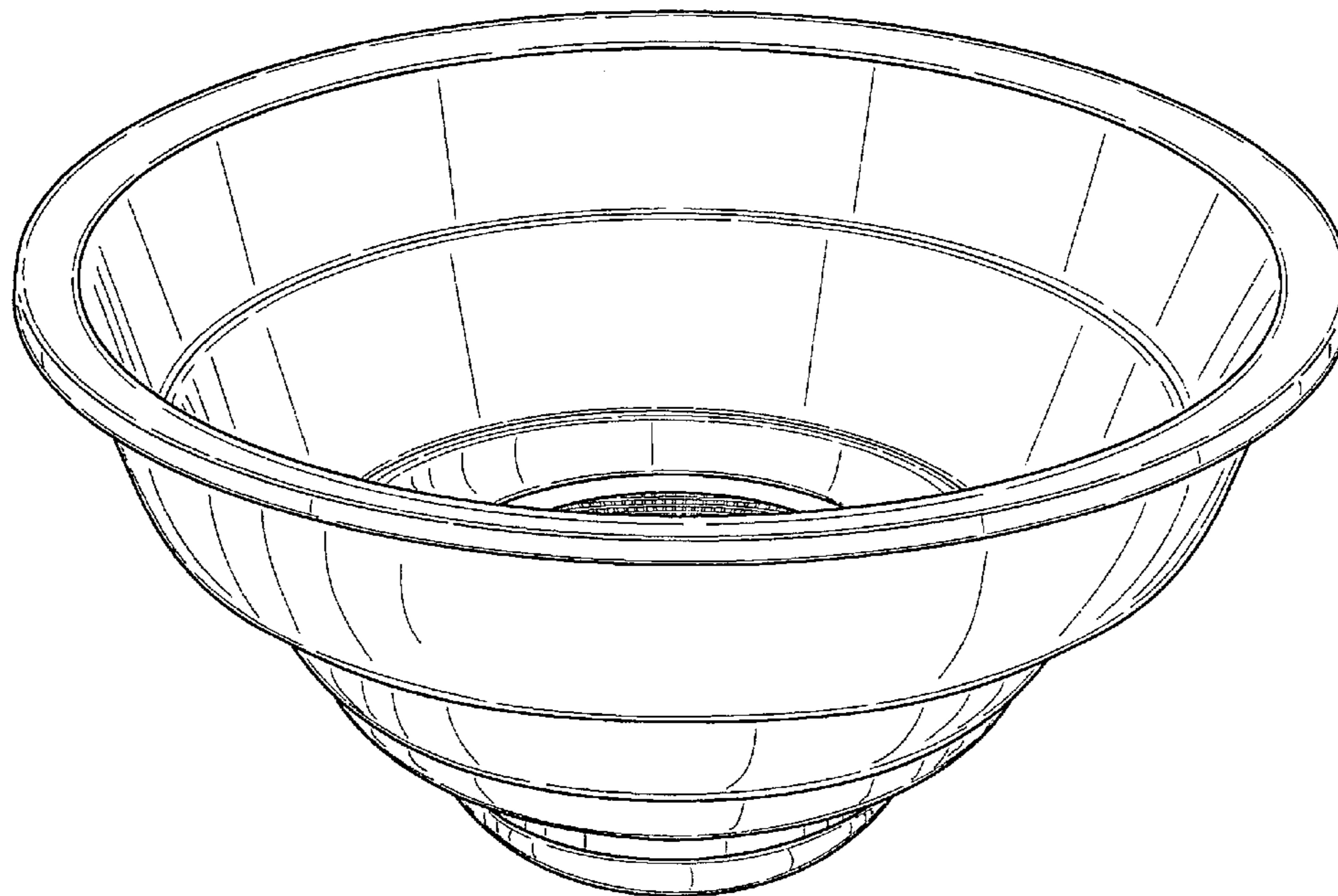
FIG. 8 is a side view of FIG. 5.

(56) **References Cited**

U.S. PATENT DOCUMENTS

D28,876 S *	6/1898	Macy	D7/667
3,300,048 A *	1/1967	Pollock	210/474
D327,605 S *	7/1992	Daenen et al.	D7/667
D458,807 S *	6/2002	Trazzi	D7/523
D482,240 S *	11/2003	Soofoo et al.	D7/584
6,705,471 B2 *	3/2004	Kataoka	210/474
D502,847 S *	3/2005	Leonori	D7/667

1 Claim, 6 Drawing Sheets



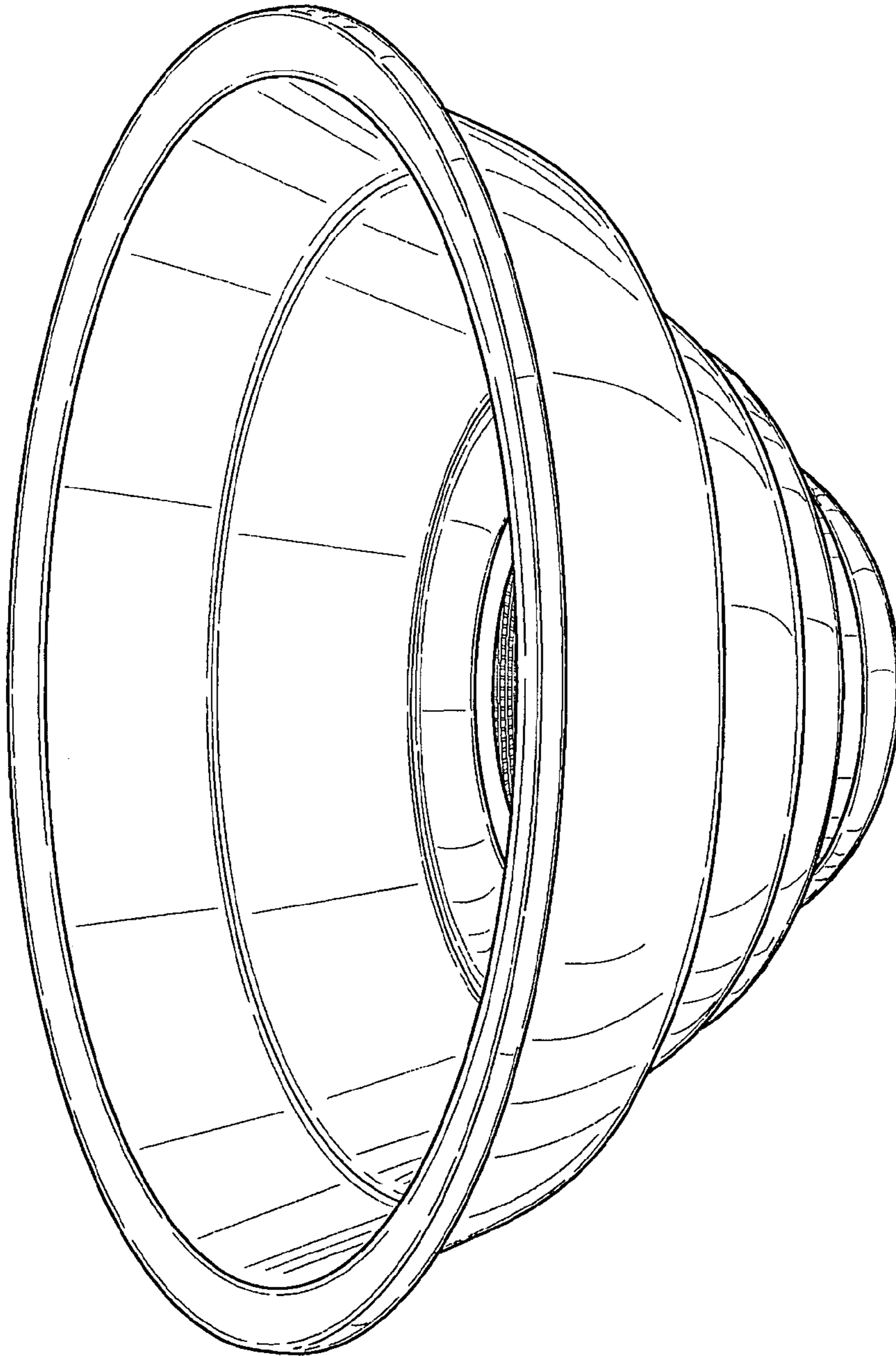


FIG. 1

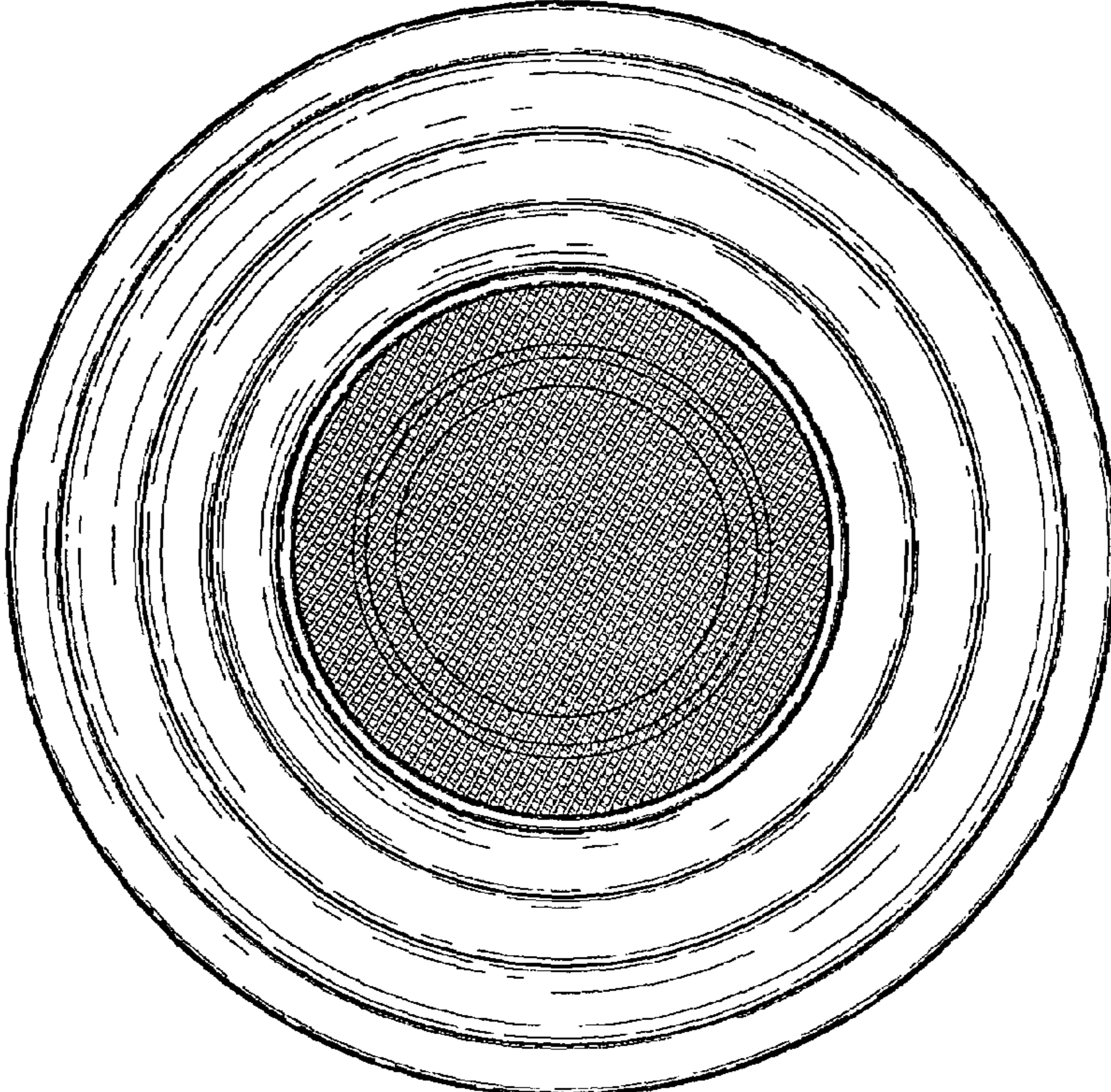


FIG. 2

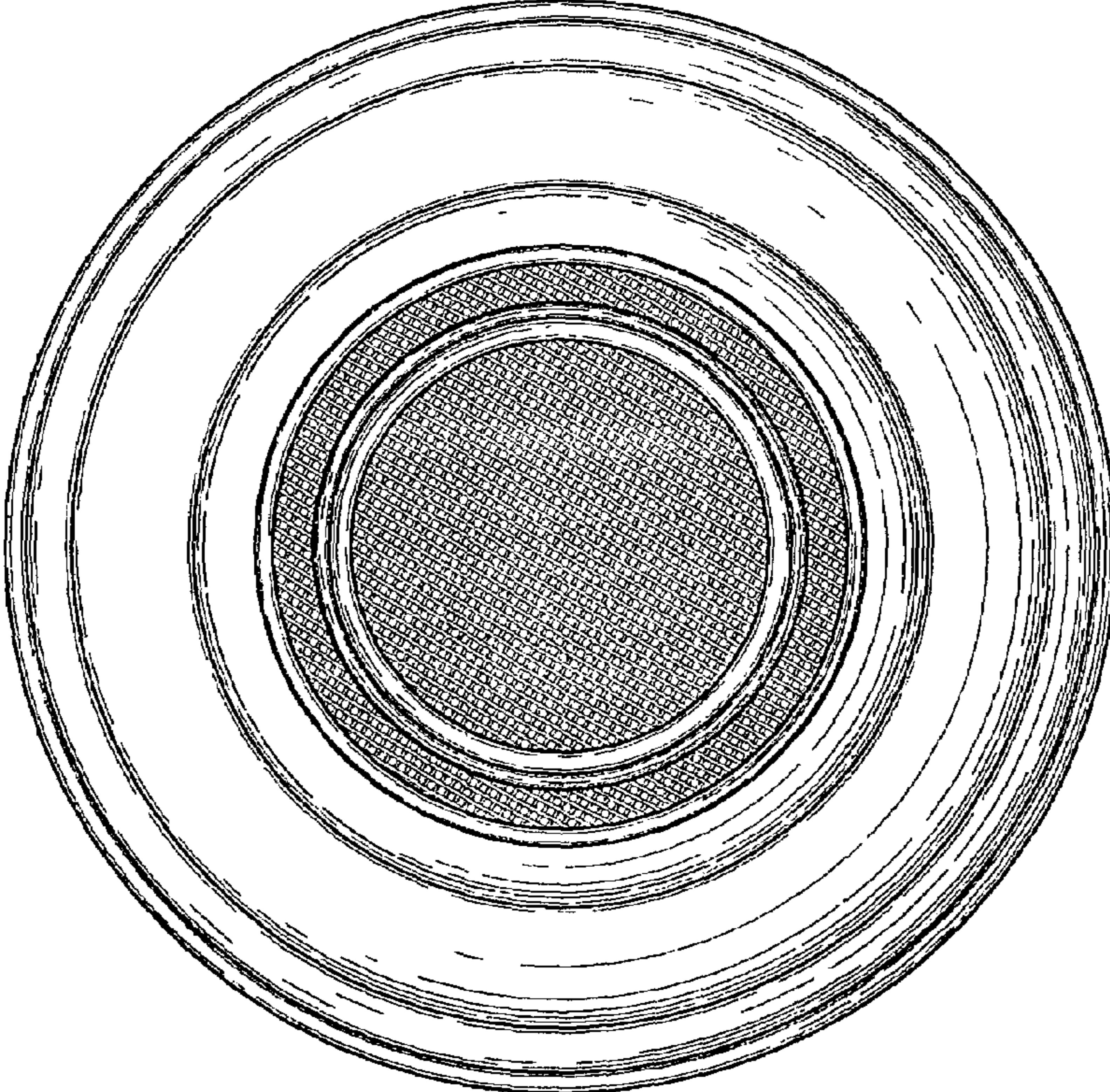


FIG. 3

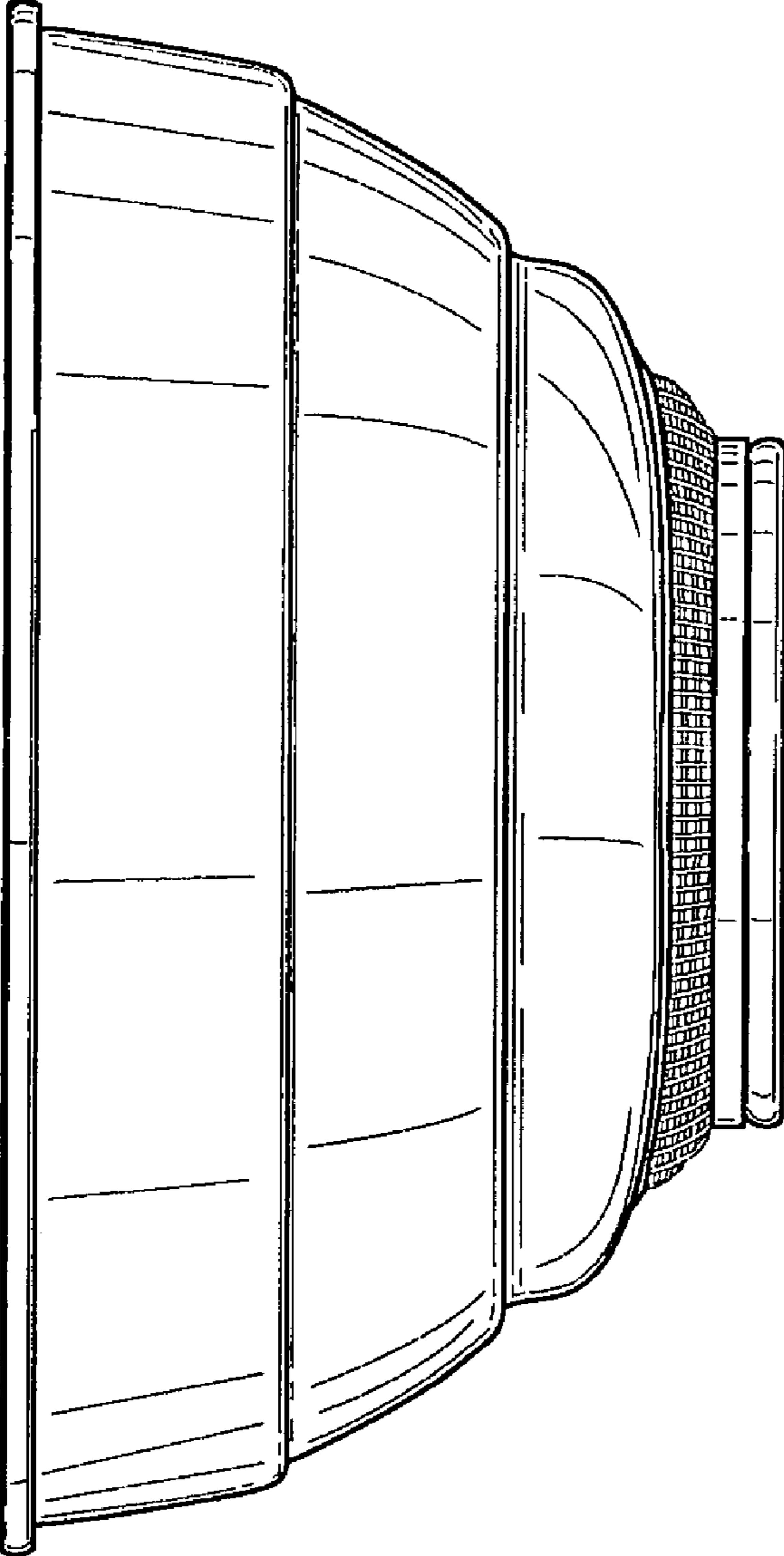


FIG. 4

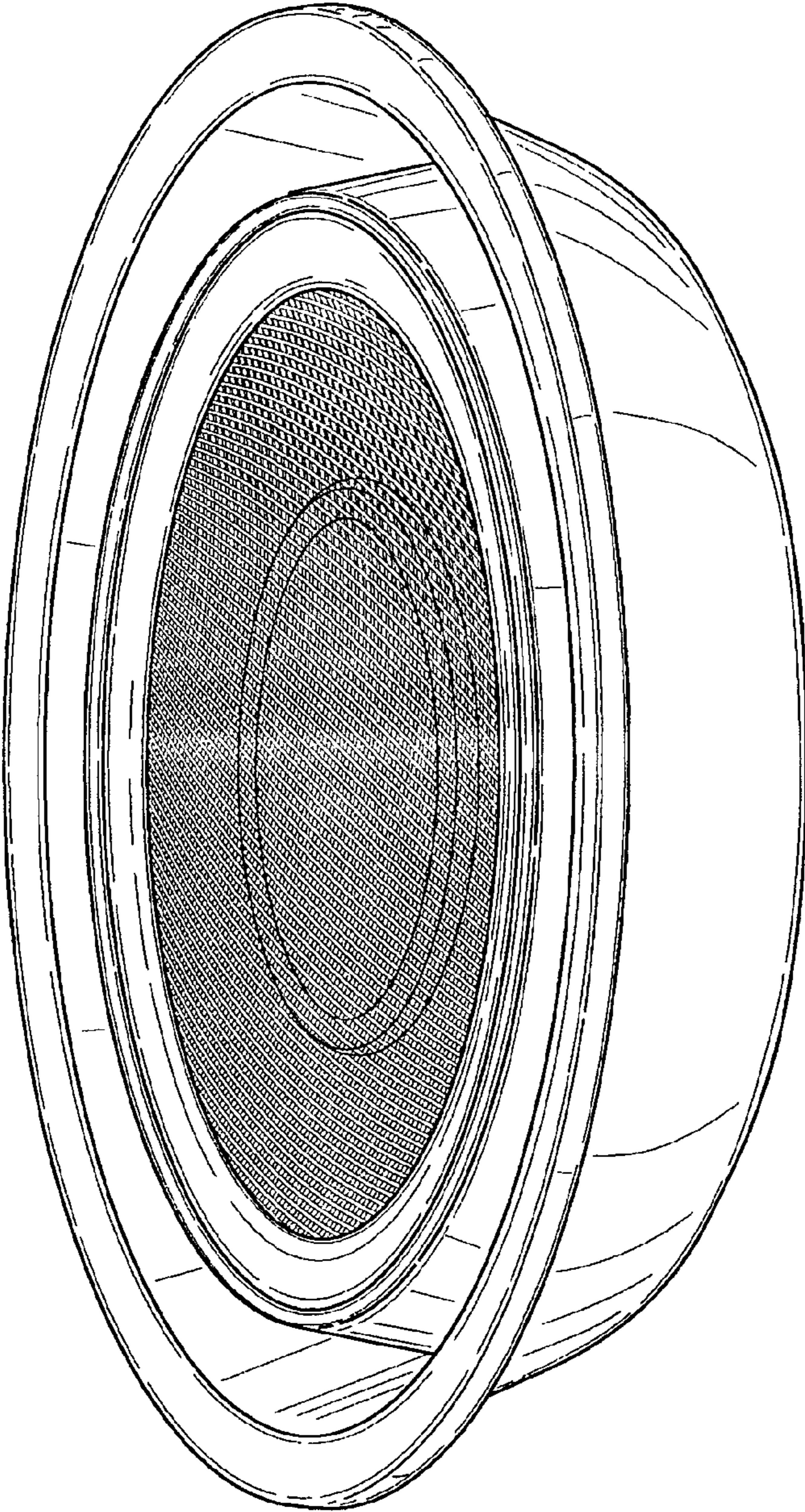


FIG. 5

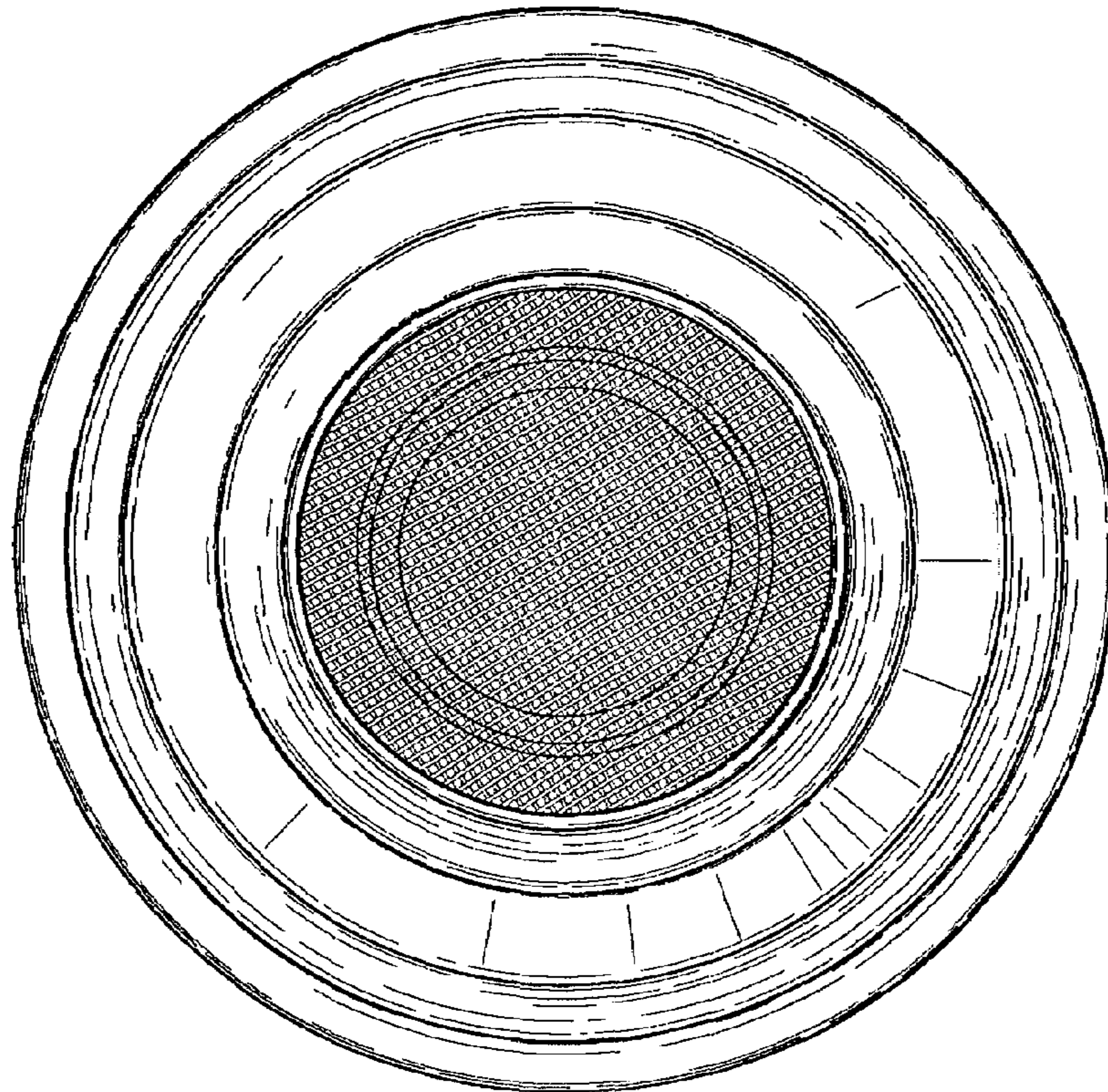


FIG. 6

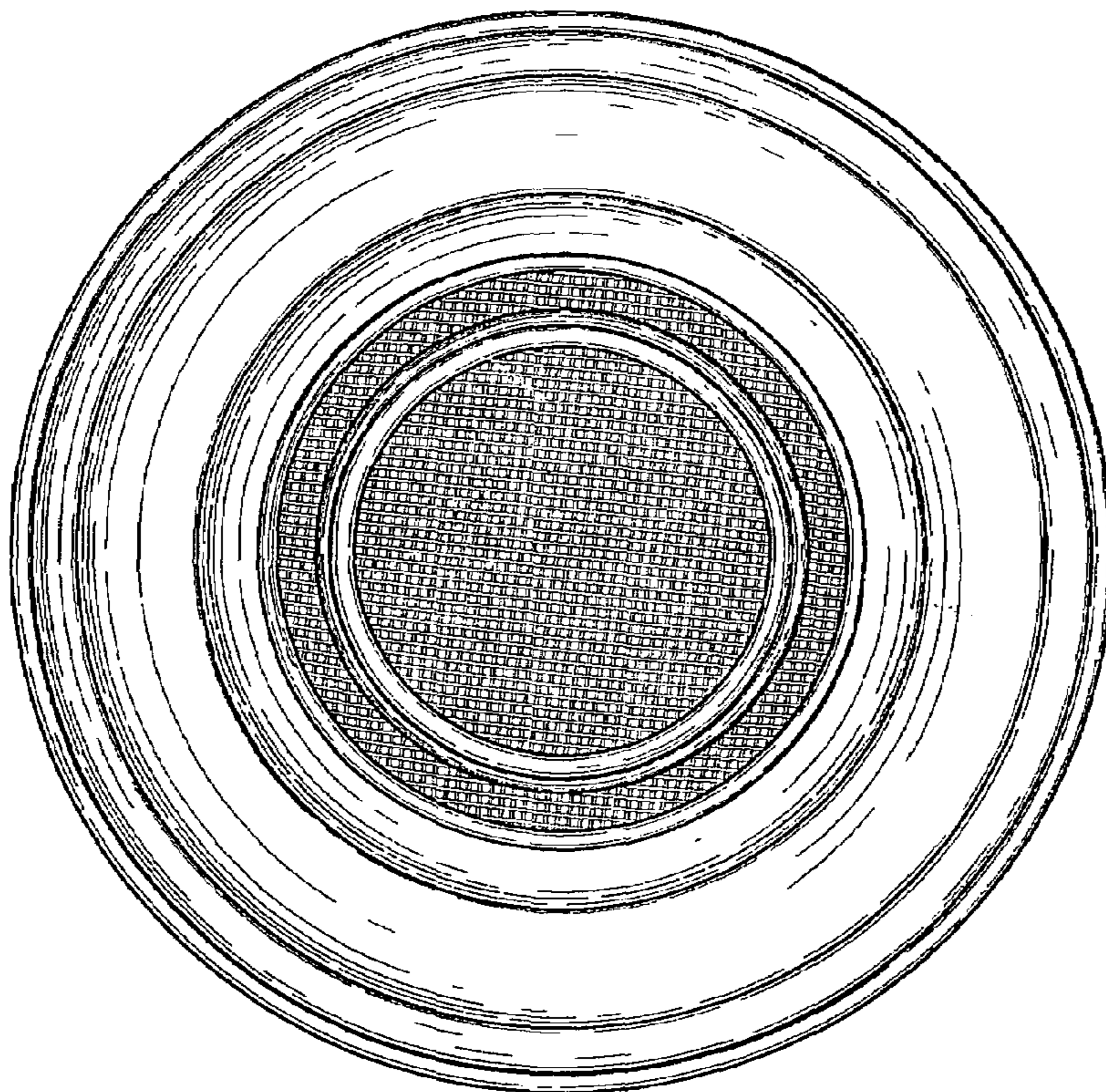


FIG. 7

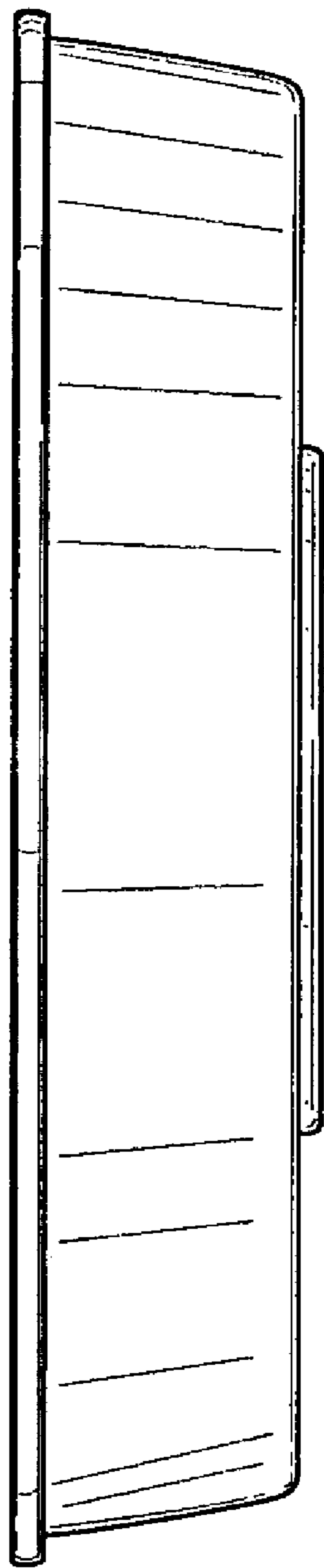


FIG. 8