



US00D574671S

(12) **United States Design Patent**
Chiang et al.

(10) **Patent No.:** **US D574,671 S**
(45) **Date of Patent:** **** Aug. 12, 2008**

(54) **PORTIONS OF A FRUIT DISPLAY**
(76) Inventors: **Chia C. Chiang**, 418 N. La Jolla, Los Angeles, CA (US) 90048; **Blake McEldowney**, 249 Eldridge St., #19, New York, NY (US) 10002; **Max Burton**, 1009 NW. Hoyt St., Portland, OR (US) 97209; **Brent D. Sokol**, 418 N. La Jolla, Los Angeles, CA (US) 90048

D273,652 S 5/1984 Lederman et al.
D278,674 S 5/1985 Tardif et al.
D291,397 S 8/1987 Unger
D293,082 S 12/1987 Butler
4,842,875 A 6/1989 Anderson
4,886,372 A 12/1989 Greengrass et al.
D312,555 S * 12/1990 Daenen et al. D7/540

(Continued)

(**) Term: **14 Years**

FOREIGN PATENT DOCUMENTS

(21) Appl. No.: **29/282,891**

DE 2259561 A 6/1974

(22) Filed: **Jul. 31, 2007**

(Continued)

Related U.S. Application Data

OTHER PUBLICATIONS

(63) Continuation of application No. 29/250,626, filed on Nov. 23, 2006, now Pat. No. Des. 550,514, which is a continuation of application No. 29/224,068, filed on Feb. 23, 2005, now Pat. No. Des. 548,017.

Chia C. Chiang et al., Portions of a Fruit Ripening Container, 29/275,641, (unpublished copending US design patent application), filed Jan. 2, 2007, continuation of 29/223,882, filed Feb. 16, 2005 (now D547,600).

(51) **LOC (8) Cl.** **07-01**

(Continued)

(52) **U.S. Cl.** **D7/629**

(58) **Field of Classification Search** D7/538-542,
D7/602, 629, 368, 669, 412, 391-392.1;
D9/424-429; 62/457.1-457.9, 371, 372;
99/467-482; 426/118, 106

Primary Examiner—Terry A Wallace
(74) *Attorney, Agent, or Firm*—Brent D. Sokol

See application file for complete search history.

(57) **CLAIM**

The ornamental design for portions of a fruit display, as shown and described.

(56) **References Cited**

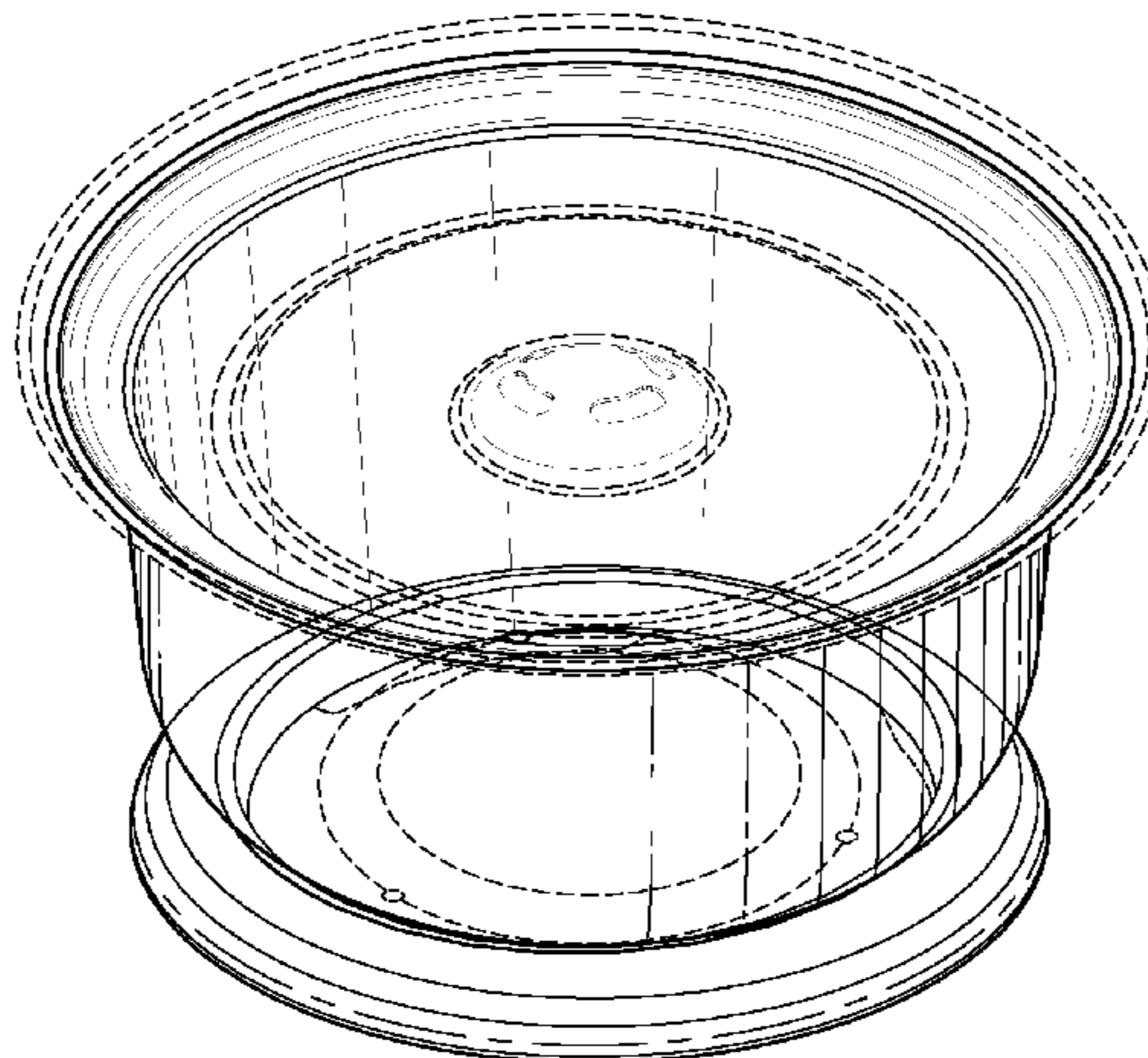
U.S. PATENT DOCUMENTS

DESCRIPTION

1,126,258 A 1/1915 Myers
1,985,670 A 12/1934 Sykes
2,412,325 A 12/1946 Devine et al.
3,298,511 A 1/1967 Schertz
D210,311 S 2/1968 Newman
3,480,197 A 11/1969 Massey
D244,246 S 5/1977 Daenen
D247,945 S * 5/1978 Saunders D7/539
D252,312 S 7/1979 Ackeret
D259,400 S 6/1981 Carroll et al.
D267,071 S 11/1982 Carlson
4,440,321 A 4/1984 Campbell et al.

FIG. 1 is a perspective view of portions of a fruit display.
FIG. 2 is a front view of the portions of FIG. 1.
FIG. 3 is side view of the portions of FIG. 1. The opposite side of the portions is a mirror image of the side view shown in FIG. 3.
FIG. 4 is a top view of the portions of FIG. 1; and,
FIG. 5 is a back view of the portions of FIG. 1.

1 Claim, 3 Drawing Sheets



U.S. PATENT DOCUMENTS

D315,618	S	3/1991	Blaser	
D322,186	S	12/1991	Rubbico	
D327,394	S	6/1992	Scherer	
5,121,877	A	6/1992	Bodary et al.	
D336,596	S *	6/1993	Osgood et al. D7/608
D346,552	S	5/1994	Krupa	
5,345,784	A	9/1994	Bazemore et al.	
5,427,808	A	6/1995	Adams	
D360,825	S	8/1995	Knoss et al.	
D379,300	S	5/1997	Krupa et al.	
D380,381	S	7/1997	Krupa et al.	
5,661,979	A	9/1997	DeBoer	
5,667,827	A	9/1997	Breen et al.	
5,711,978	A	1/1998	Breen et al.	
5,758,794	A	6/1998	Rider, Jr. et al.	
5,759,794	A *	6/1998	Levine et al. 435/7.24
D396,408	S	7/1998	Carver	
D398,448	S	9/1998	Zanni	
5,829,602	A	11/1998	St. John Danko	
D411,714	S	6/1999	Wilson et al.	
5,916,614	A	6/1999	Gorlich	
6,013,293	A	1/2000	De Moor	
6,135,307	A	10/2000	Fahy	
D442,031	S	5/2001	Perez	
D442,834	S	5/2001	Perez	
6,376,032	B1	4/2002	Clarke et al.	
6,527,121	B1	3/2003	Flynn	
D475,621	S *	6/2003	Buchalski et al. D9/428
D475,897	S *	6/2003	Zettle et al. D7/629
D476,506	S	7/2003	Sneider	
6,651,445	B1	11/2003	Clark et al.	
D487,698	S	3/2004	Rasmussen	
D494,062	S *	8/2004	Willis D9/428
D533,394	S	12/2006	Chiang et al.	
D545,117	S	6/2007	Chiang et al.	
D547,600	S	7/2007	Chiang et al.	
D548,017	S	8/2007	Chiang et al.	
D550,514	S	9/2007	Chiang et al.	
D550,515	S	9/2007	Chiang et al.	
D559,628	S	1/2008	Chiang et al.	
2005/0056158	A1	3/2005	Chiang et al.	
2006/0198064	A1	9/2006	Chiang et al.	
2006/0201340	A1	9/2006	Chiang et al.	

FOREIGN PATENT DOCUMENTS

EP	0282180	A2	9/1988
EP	0417947	A1	3/1991
EP	0636555	A1	2/1993
FR	2242872	A5	3/1975
JP	6484871	A	3/1989
JP	6485064	A	3/1989
JP	1146677	A	2/1999
JP	D1068100	S	4/2000
TW	286124		9/1996
WO	99446715	A1	9/1999

OTHER PUBLICATIONS

Chia C. Chiang et al., Portions of a Fruit Ripening Display, 29/282,889, (unpublished copending US design patent application), filed Jul. 31, 2007, continuation of 29/250,629, filed Nov. 23, 2006, in turn a continuation of 29/223,882, filed Feb. 16, 2005 (now D547,600).

Chia C. Chiang et al., Portions of a Fruit Display, 29/282,887, (unpublished copending US design patent application), filed Jul. 31, 2007, continuation of 29/250,629, (now D559,628) filed Nov. 23, 2006, in turn a continuation of 29/223,882, filed Aug. 16, 2005 (now D547,600).

Kitinoja, Lisa, et al., "Small-scale Postharvest Handling Practices - A Manual for Horticultural Corps - 3rd Ed.," Postharvest Horticulture Series No. 8 - Mar. 1995, entire page - excerpt from Section 9 on Ripening, University of California - Davis, Postharvest Technology Research and Information Center, Davis, CA, U.S.A.

Retromodern. Com, "Lobo Fruit Bowl / Bread Basket design year 1977," <http://www.retromodern.com>, © 2000-2001 (copyright before effective date), all, U.S.A.

Catalogcity.Com, "Kitchen Basket - Banana Tree," <http://amos.catalogcity.com/cc?main=catalog&pcd=4328503&prd=6291163&ccsyn=22>, Jan. 22, 2003, all, U.S.A.

Catalogcity.com, "Ripen-Right Fruit Bowl," [www.http://amos.catalogcity.com/cc.class/cc?main=catalog&pcd=4989142&prd=7194690&ccsyn=22](http://amos.catalogcity.com/cc.class/cc?main=catalog&pcd=4989142&prd=7194690&ccsyn=22), Jan. 22, 2003, all, U.S.A.

Tabletools.com, "Filio Fruit Tray, by Mono Table Top," http://www.tabletools.com/tabletools/showdetl.cfm?&DID=G&user_ID=2327780&st=5803, Feb. 2, 2003. all, U.S.A.

Designstore.com "Rosendahl stainless steel fruit dish," <http://www.designstore.com/rosstainsteel.html>, Feb. 2, 2003, all, U.S.A.

Surprise.com, "Fruit Ripening Brown," http://surprise.com/food/foodie/fruit_ripening-bowl.cfm, Feb. 2, 2003, all, U.S.A.

Startsampling.com, "Hammacher Ripening Bowl," <http://www.startsampling.com/SIProduct.iphtml?name=Ripening%20Bowl>, Feb. 3, 2003, all, U.S.A.

Catalogcity.com, "Spathe Bowl," <http://r2.us.rmi.yahoo.com/rmi/http://amos.catalogcity.com/cc.classccrmivars?target=top?main=catalog&pcd=2921396&ccsyn>, Feb. 4, 2003, all, U.S.A.

Catalogcity.com, "Fruit Bowl - Natural Wood," <http://r2.us.rmi.yahoo.com/rmi/http://amos.catalogcity.com/cc.class/cc/rmivars?target>, Feb. 4, 2003, all U.S.A.

Techno Scout, "Fruit Saver Advertisement," Parade Magazine, Feb. 9, 2003, Parade Publications, N.Y., U.S.A.

First Capital Craft Mall & Family Ties "Banana Hanger," <http://imagineifyouwill.site.yahoo.net/bananahanger.html>, Feb. 11, 2003 all, U.S.A.

Tabletools, com, "Top Serve Container," http://www.tabletools.com/tabletools/showdetl.cfm?&DID=G&Product_ID=2940&CATID, Feb. 11, 2003, all, U.S.A.

Target.com, "Arthur Court Kitchen Banana & Fruit bowl," http://www.target.com/gp/detail.html/sr=1-1/qid=1044982115/ref=sr_1_1/601-9410451_73. . ., Feb. 11, 2003, all, U.S.A.

Ebay. com, 70's "Space Age Terrarium Fruit Ripener," <http://cgi.ebay.com/wseBay1SAA.d117ViewItem&itm=2306242466&Category=367>, Feb. 12, 2003, all, U.S.A.

KitchenClassics.com, "The Ingenious Kitchen Tool" - Koller-Craft Fruit Ripener, <http://kitchen-classics.com/fruitripen.html>, Feb. 12, 2003, all, U.S.A.

Koller-Craft Plastic Products, "How It works," Product Insert for Koller-Craft Fruit Ripener, Feb. 12, 2003 or earlier, Koller-Craft Plastic Products, Fenton, MO, U.S.A.

Stedelijk Museum, "Gij's Bakker Flow (Fruit Bowl) 2000-2002," Stedelijk Museum Bulletin, Apr. 2003, p. 37, photo, Netherlands.

Gifco, Gift Consultant Magazine, 1999, p. 203 93823S, Japan.

Chiang, Sokol, Knapp, Draft Liivia Fruit Ripener Quick Start Guide, Jul. 2007, Distributed Sep. 2007, entire document.

Chiang, Sokol, Knapp, Draft Liivia Fruit Ripener: Real Technology instruction manual, Jul. 2007, Distributed Sep. 2007, entire document.

* cited by examiner

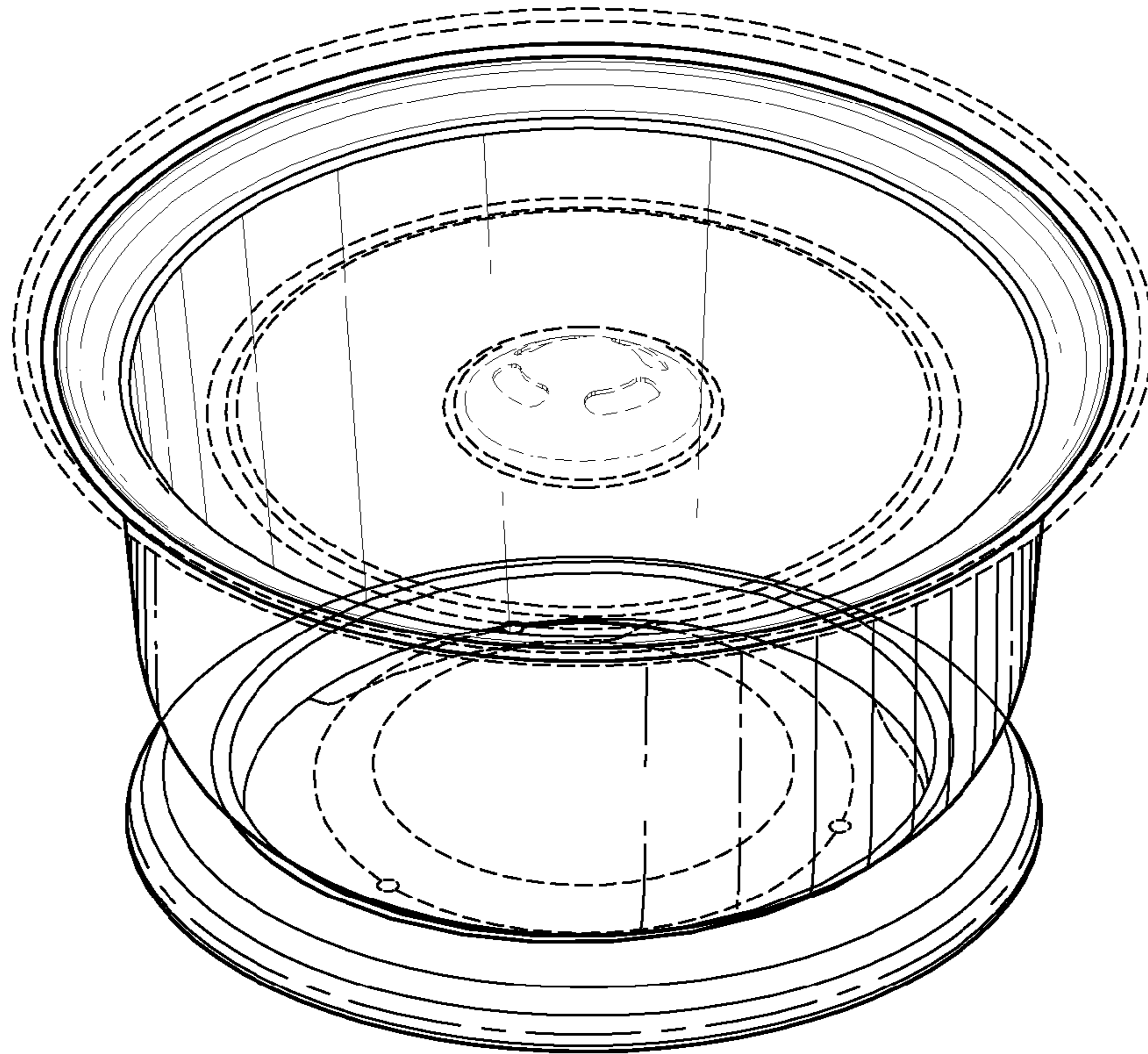


FIG. 1

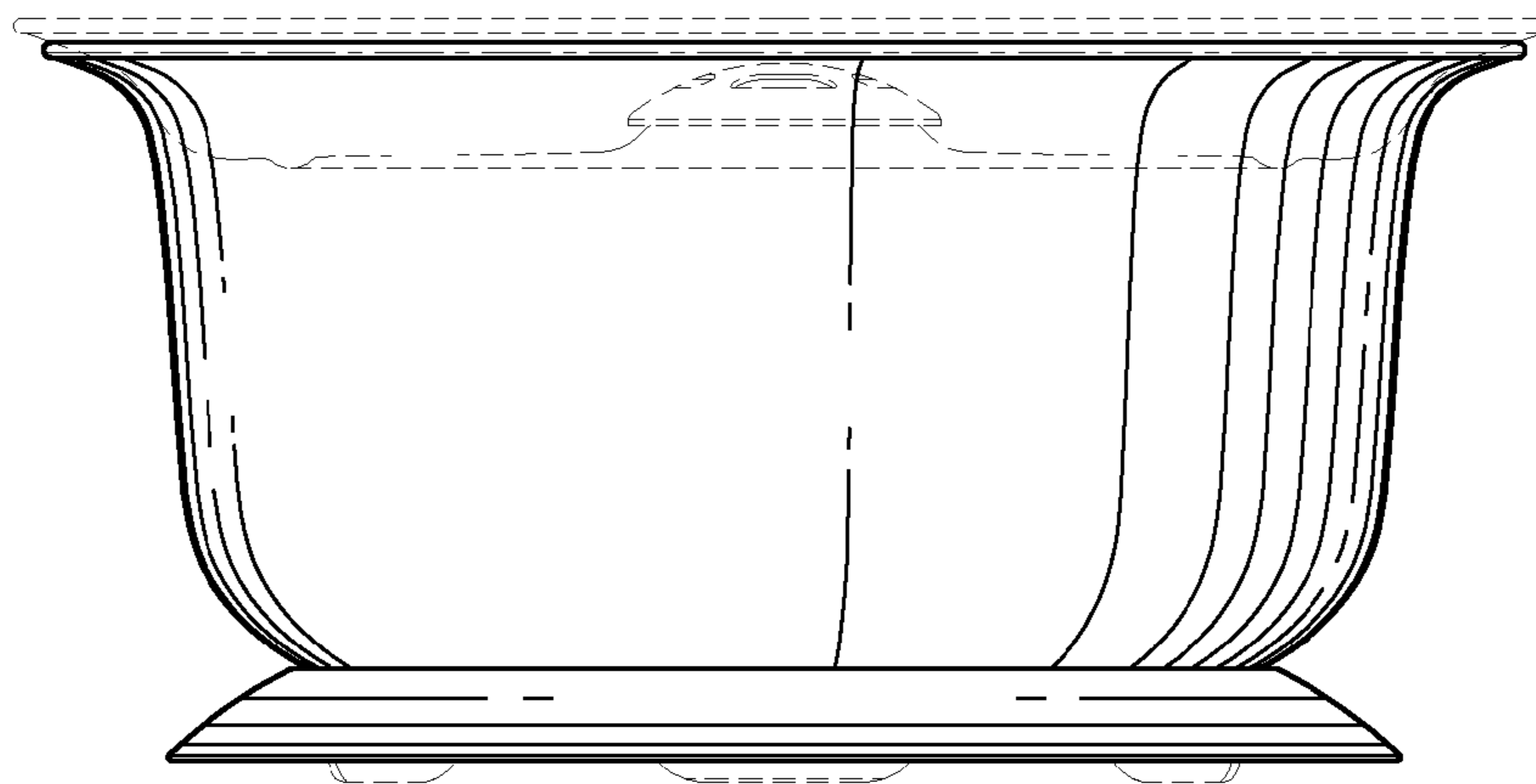


FIG. 2

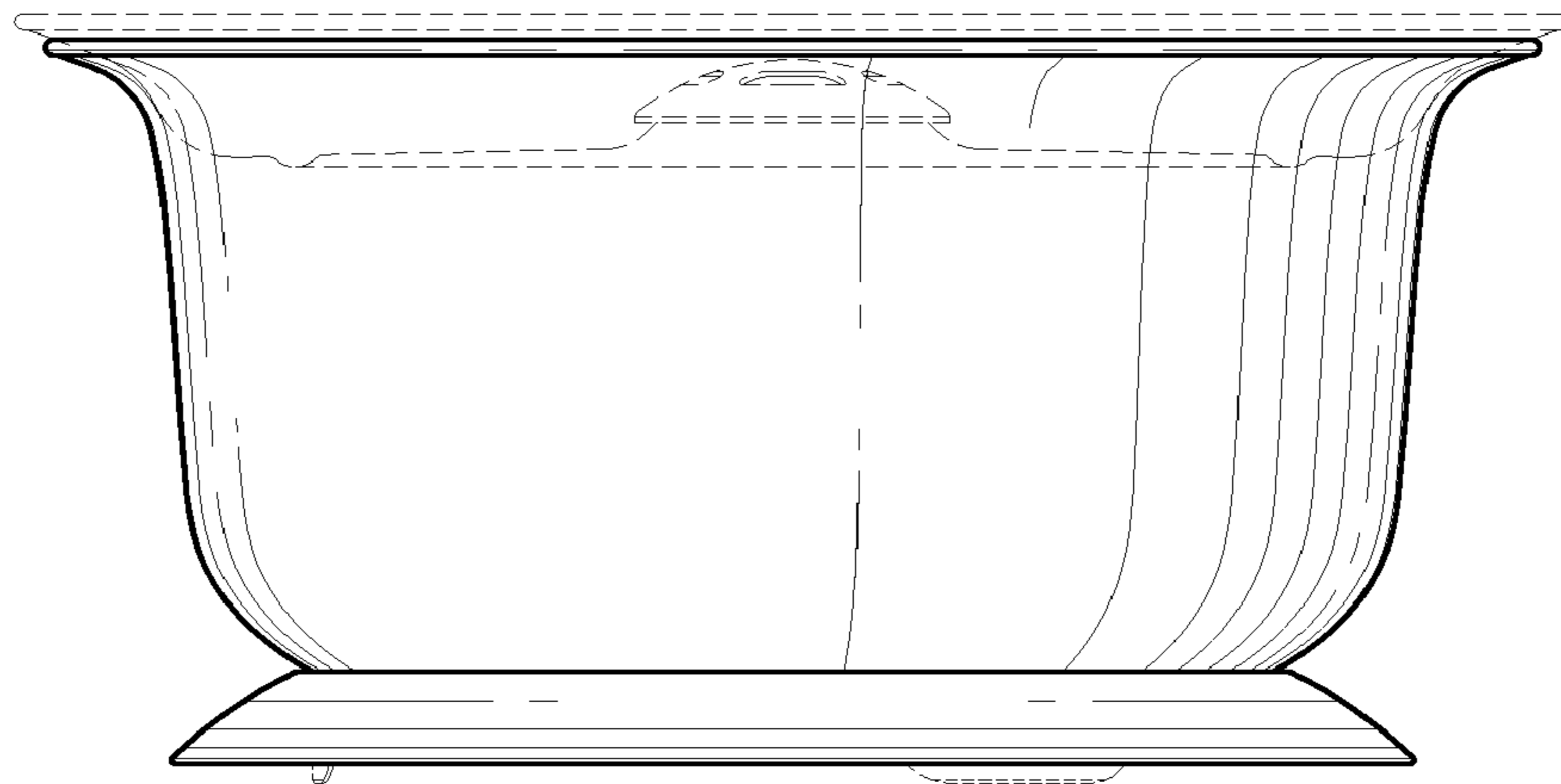


FIG. 3

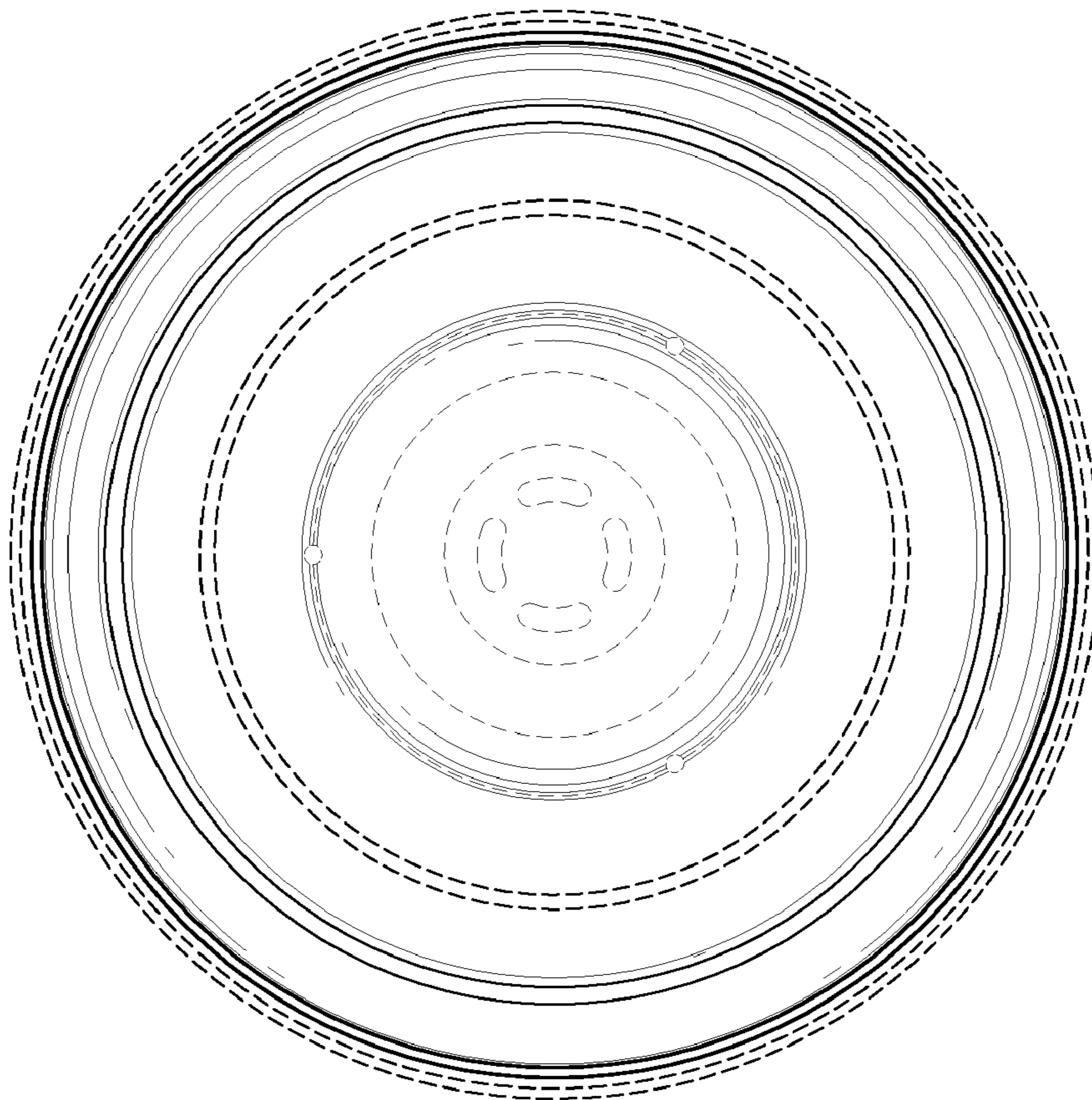


FIG. 4

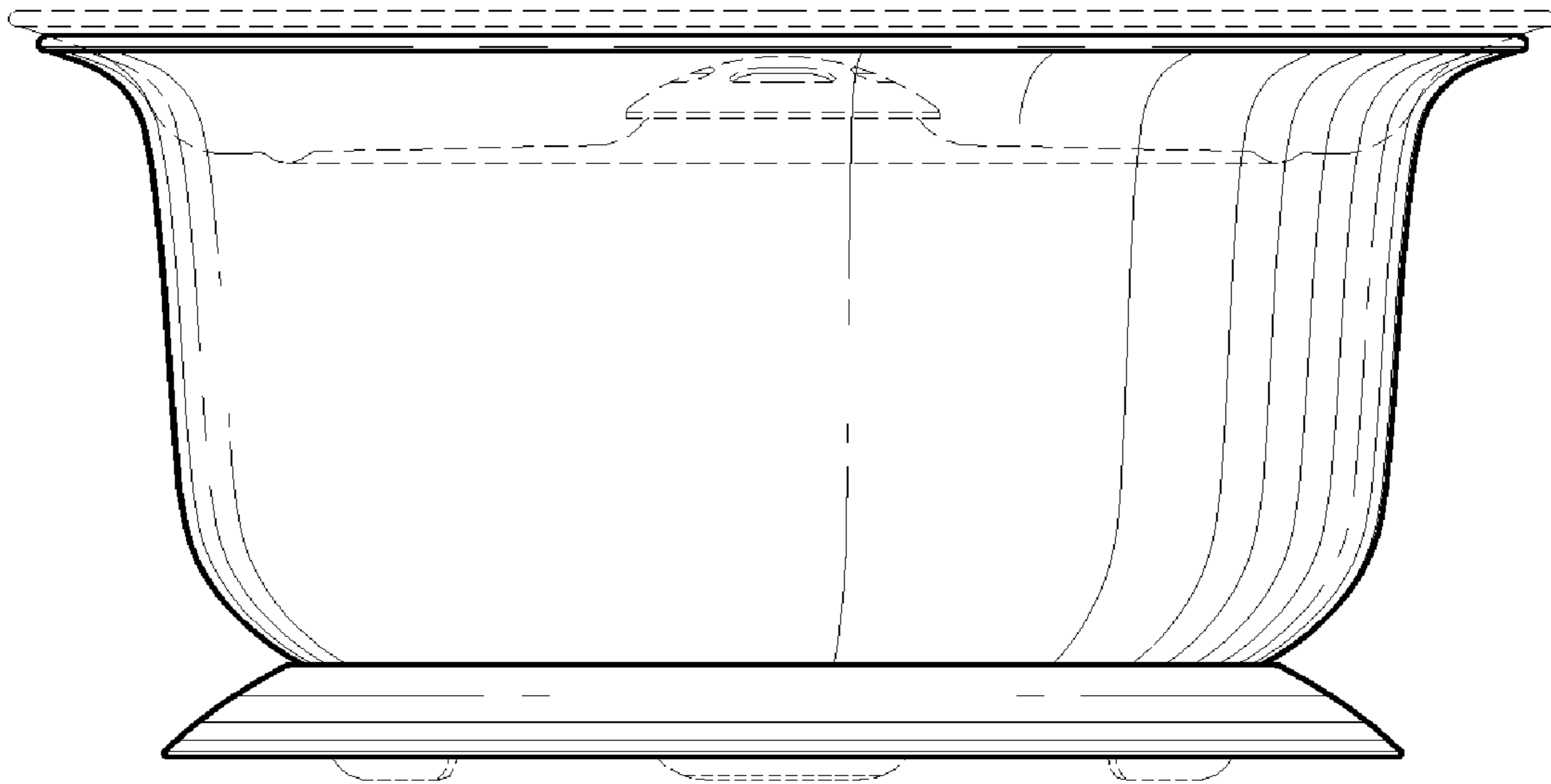


FIG. 5