



US00D574669S

(12) **United States Design Patent**  
**Bergin**

(10) **Patent No.:** **US D574,669 S**

(45) **Date of Patent:** **\*\* Aug. 12, 2008**

(54) **CUP HOLDER**

(75) Inventor: **Peter W. A. Bergin**, Rancho Mirage, CA (US)

(73) Assignee: **Caddy Products, Inc.**, Thousand Palms, CA (US)

(\*\*) Term: **14 Years**

(21) Appl. No.: **29/288,360**

(22) Filed: **Jun. 8, 2007**

D380,125 S	6/1997	Ayotte et al.	.....	D7/620
D380,652 S	7/1997	Ayotte et al.	.....	D7/620
D383,362 S *	9/1997	Ayotte et al.	.....	D7/620
D385,464 S	10/1997	Stern et al.	.....	D7/602
5,709,429 A	1/1998	Bergin	.....	297/188.04
D398,127 S	9/1998	Bergin et al.	.....	D34/27
5,813,644 A *	9/1998	Bergin	.....	248/311.2
D400,678 S *	11/1998	Clark et al.	.....	D34/27
5,938,091 A	8/1999	Bergin et al.	.....	224/411
D425,012 S	5/2000	Bergin	.....	D12/419
6,186,382 B1	2/2001	Bergin et al.	.....	224/411
D445,308 S *	7/2001	Oxley	.....	D7/620
6,641,101 B2	11/2003	Bergin	.....	248/311.2

\* cited by examiner

**Related U.S. Application Data**

(62) Division of application No. 29/259,788, filed on May 16, 2006, now Pat. No. Des. 548,015.

*Primary Examiner*—Terry A Wallace

(74) *Attorney, Agent, or Firm*—Westman, Champlin & Kelly, P.A.; Z. Peter Sawicki

(51) **LOC (8) Cl.** ..... **07-06**

(52) **U.S. Cl.** ..... **D7/620**

(58) **Field of Classification Search** ..... D7/619.1–625;  
248/311.2, 313, 212, 220.2, 224.7, 223.41,  
248/223.31; 291/188.18, 188.14, 188.2

See application file for complete search history.

(57) **CLAIM**

The ornamental design for a cup holder, as shown and described.

**DESCRIPTION**

FIG. 1 is a perspective view of the present invention;

FIG. 2 is a right elevational view;

FIG. 3 is a left elevational view;

FIG. 4 is a front view;

FIG. 5 is a rear view;

FIG. 6 is a top view; and,

FIG. 7 is a bottom view.

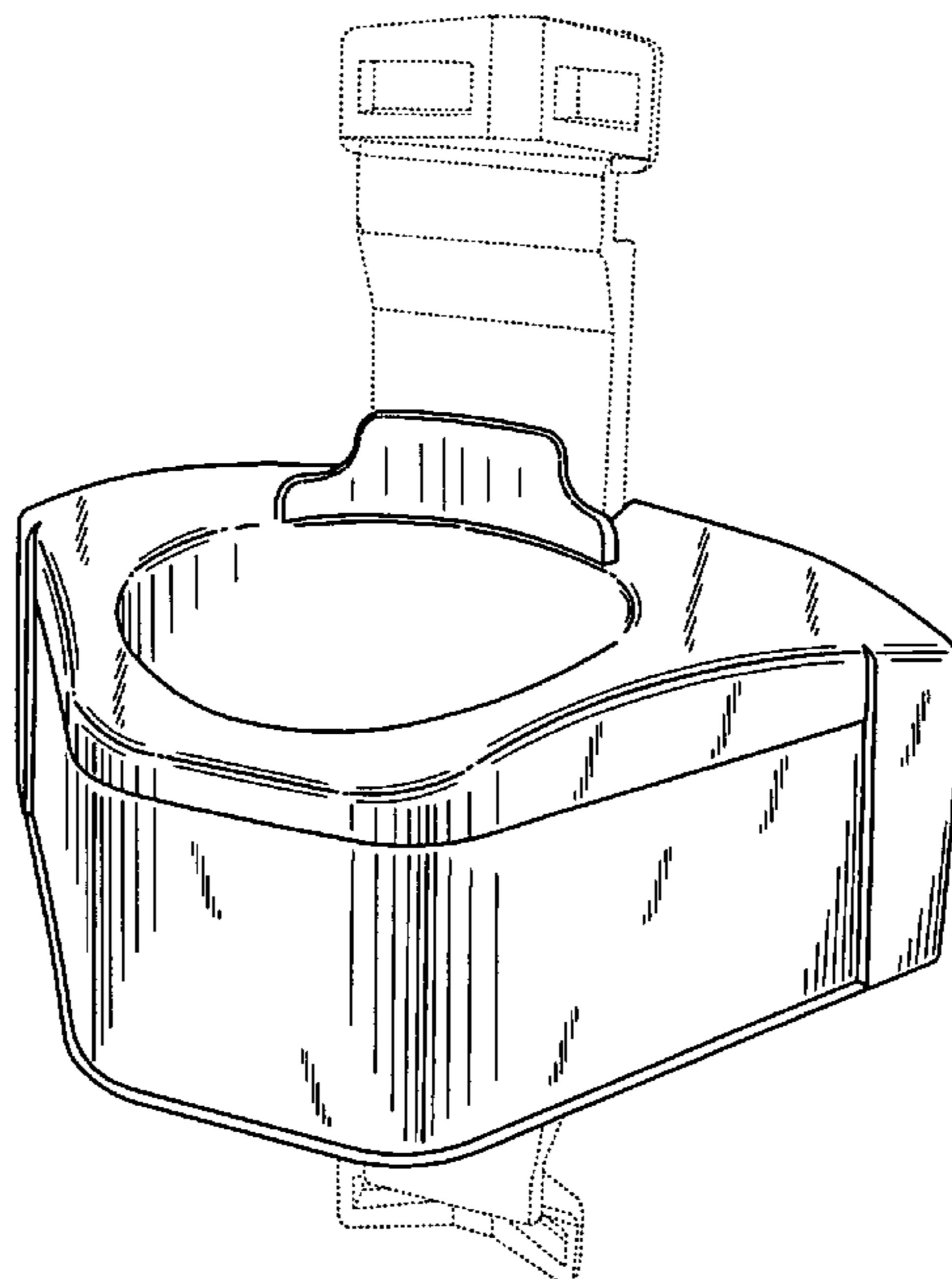
The broken lines are for illustrative purposes only and form no part of the claimed design.

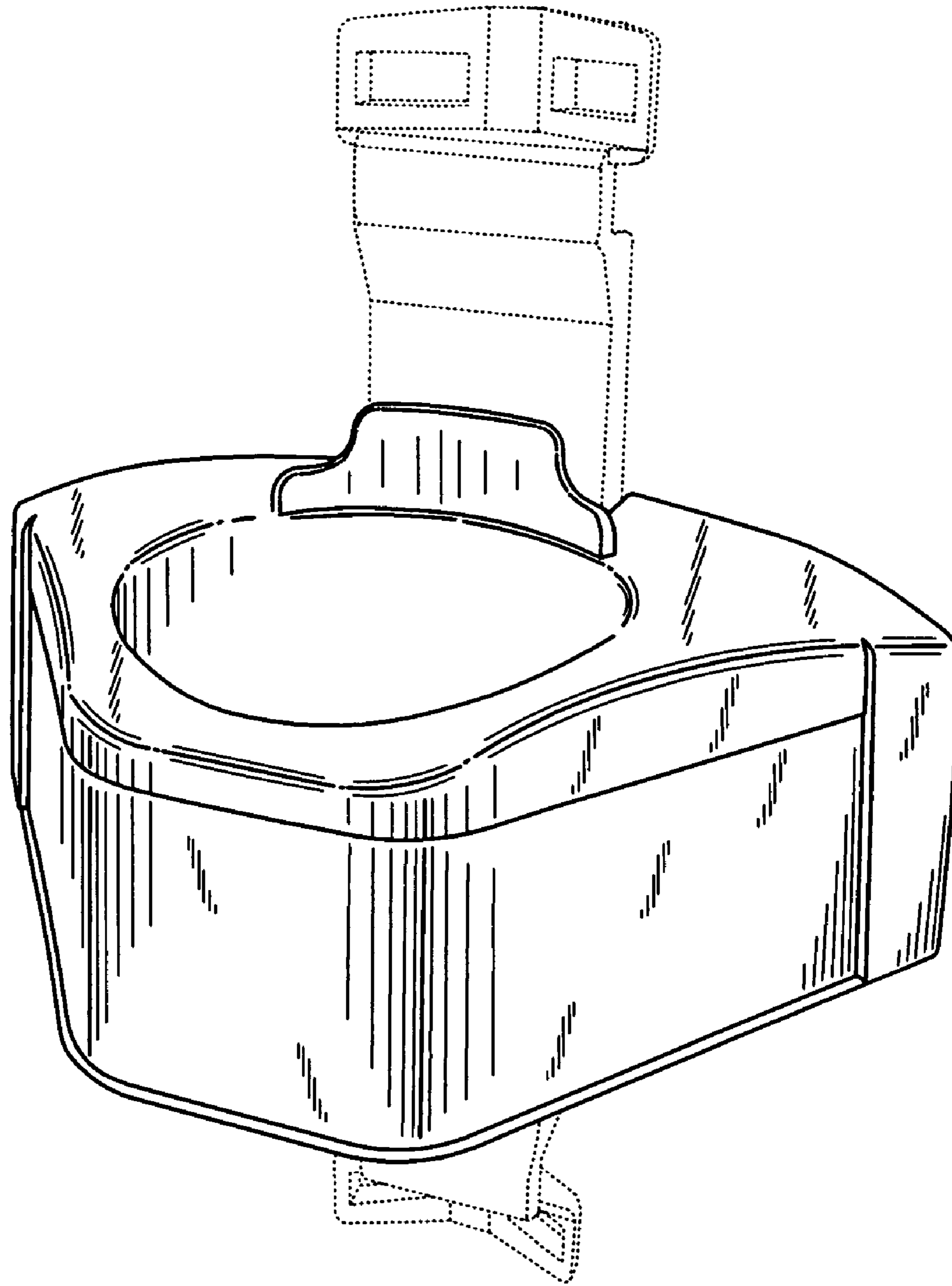
(56) **References Cited**

**U.S. PATENT DOCUMENTS**

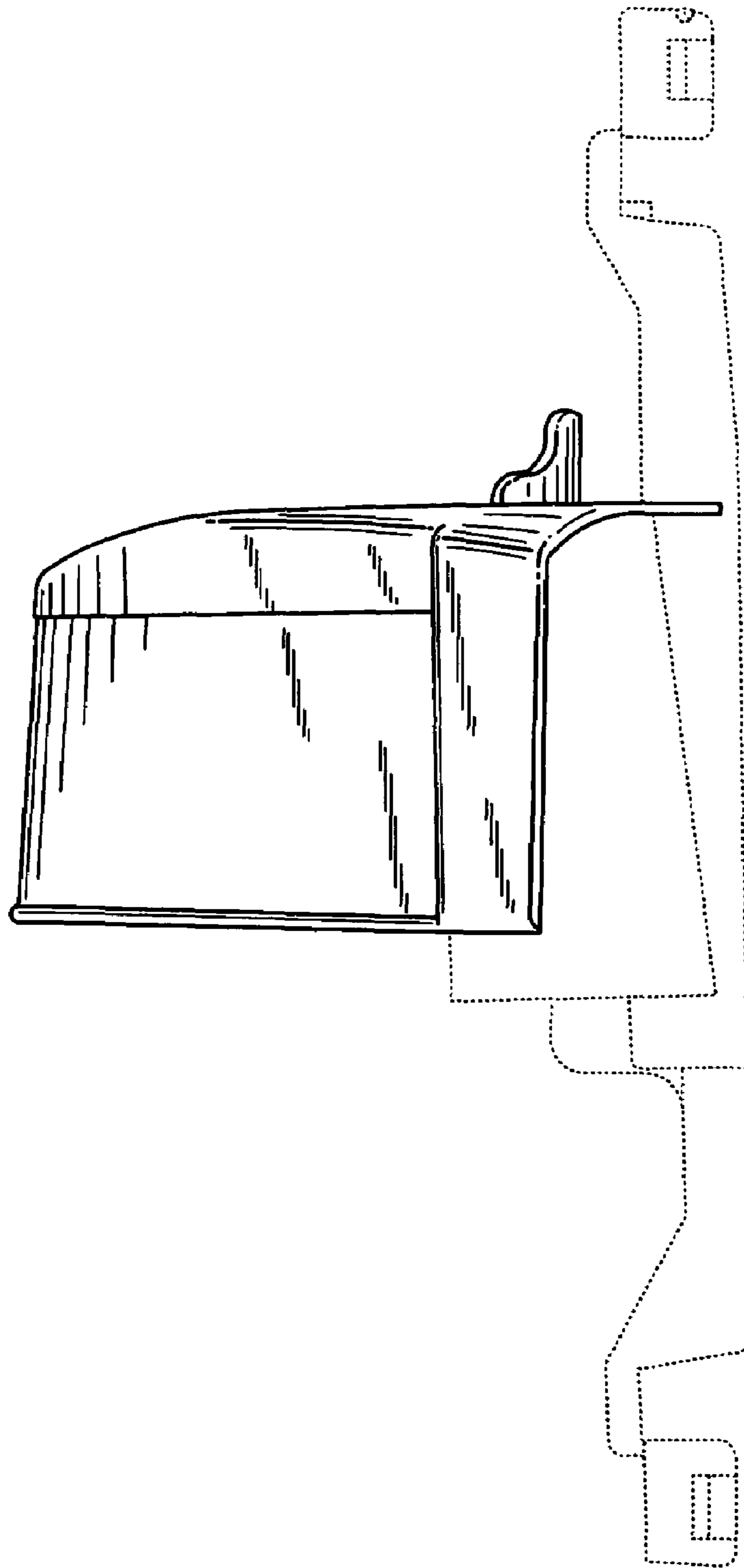
D307,852 S *	5/1990	Clark	.....	D7/620
D328,223 S	7/1992	Clark	.....	D7/622
5,234,251 A	8/1993	Ayotte	.....	297/194
5,302,000 A	4/1994	Ayotte	.....	297/194
D350,259 S	9/1994	Ayotte	.....	D7/620
D353,289 S	12/1994	Ayotte et al.	.....	D6/510
5,421,638 A	6/1995	Ayotte et al.	.....	297/188.04
D365,250 S *	12/1995	Bergin et al.	.....	D7/620
D367,997 S	3/1996	Ayotte et al.	.....	D7/620
D368,628 S *	4/1996	Bergin	.....	D7/620
D377,439 S	1/1997	Ayotte et al.	.....	D7/620

**1 Claim, 7 Drawing Sheets**

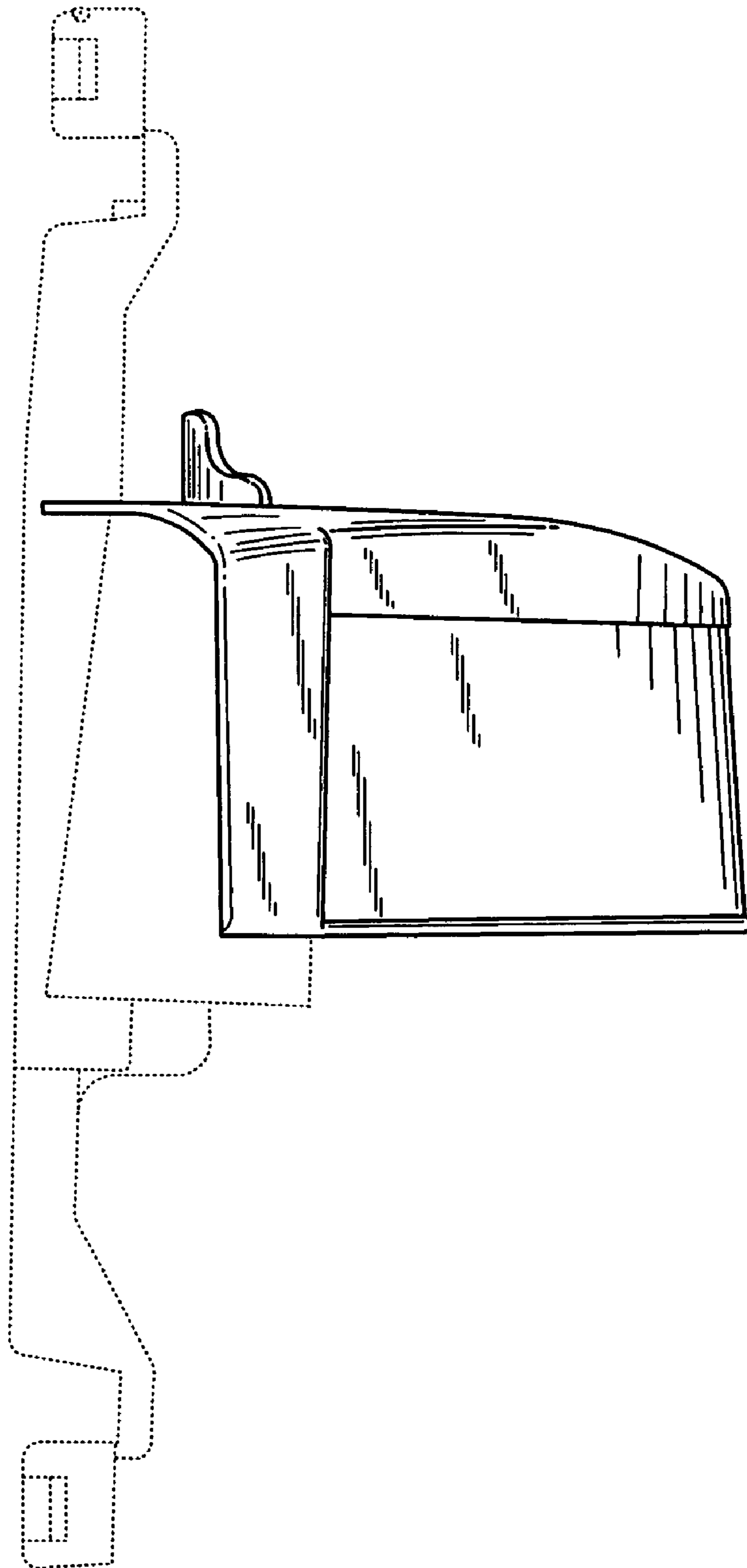




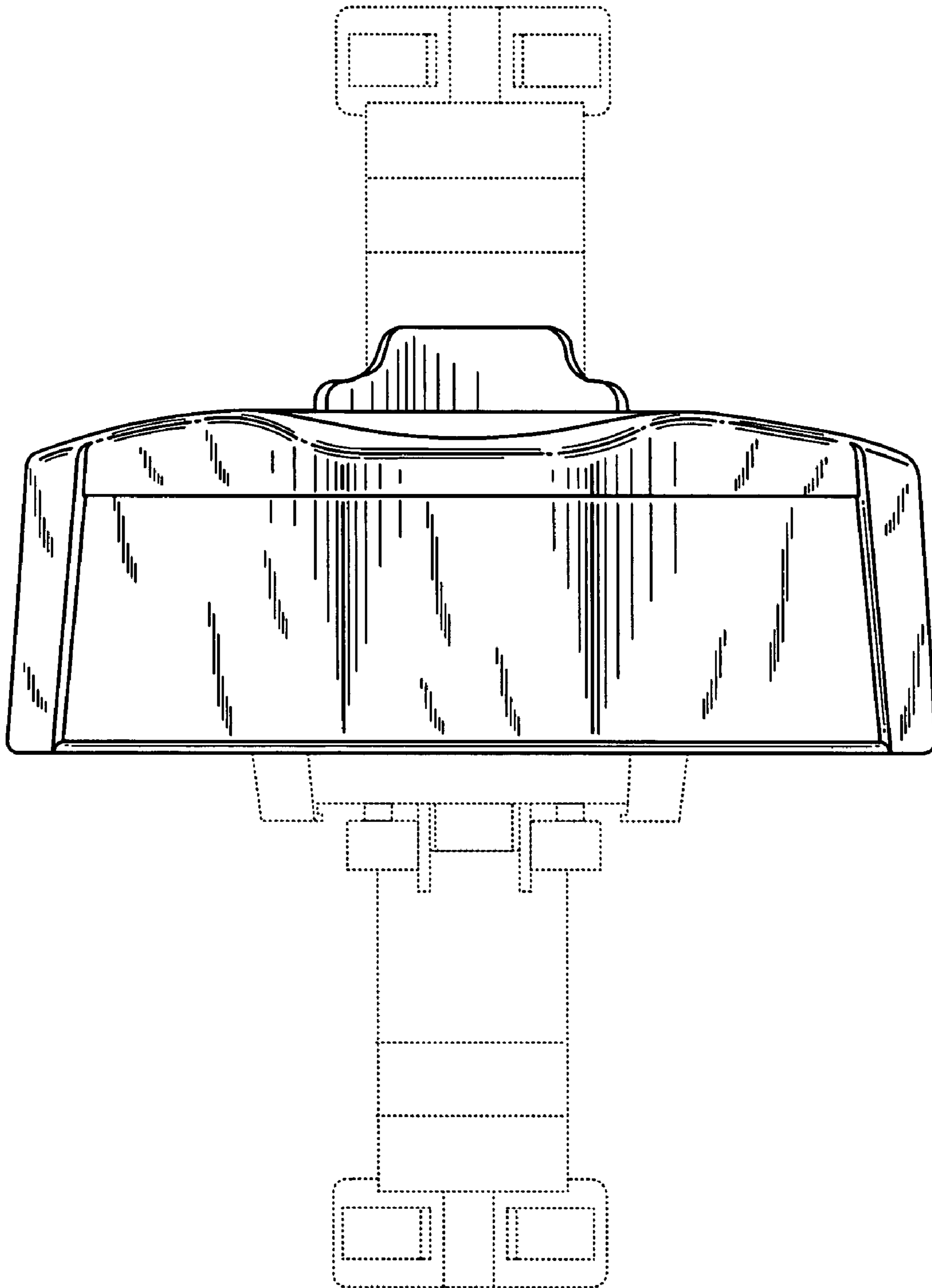
*Fig. 1*



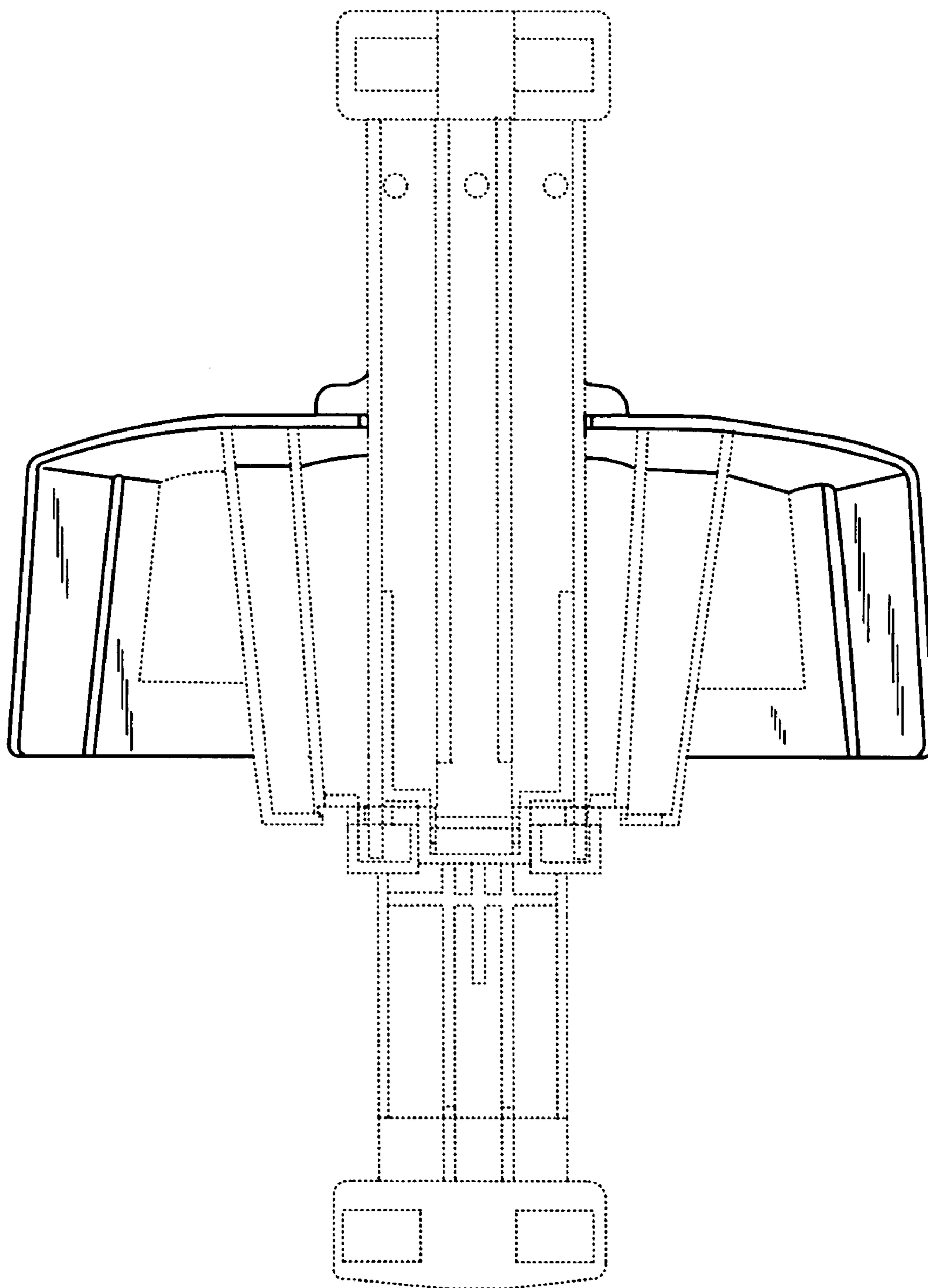
*Fig. 2*



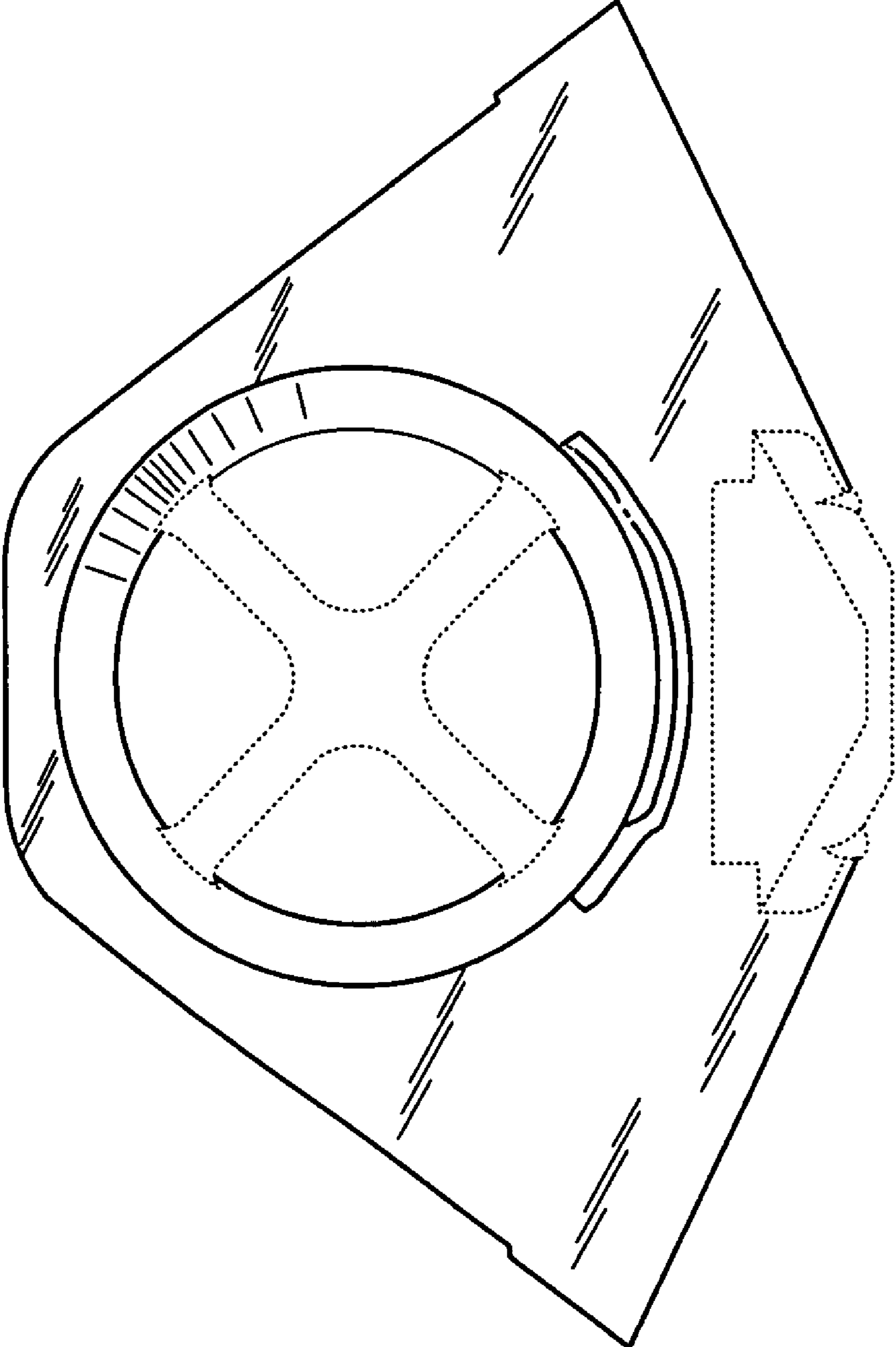
*Fig. 3*



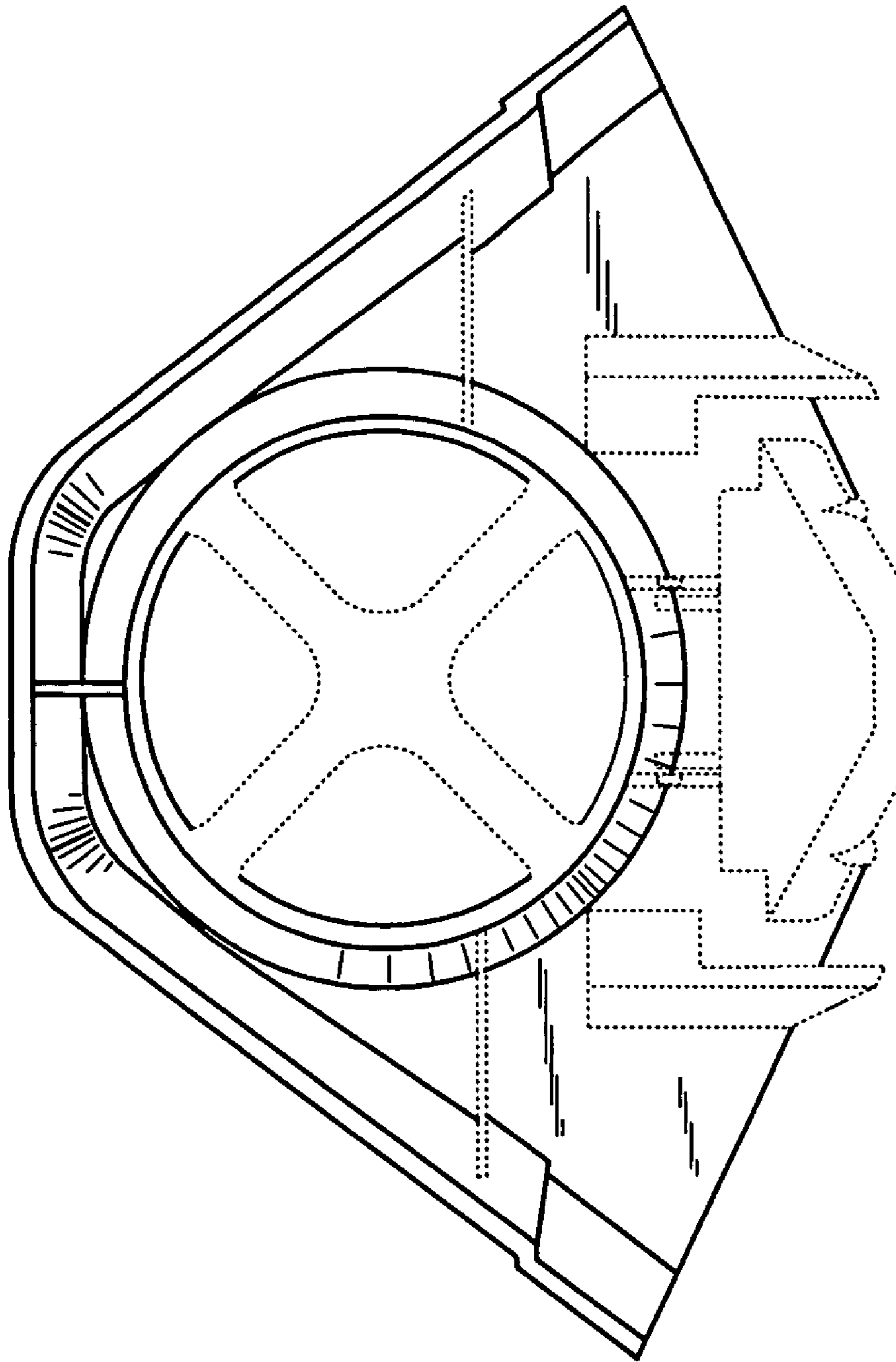
*Fig. 4*



*Fig. 5*



*Fig. 6*



*Fig. 7*