



US00D574668S

(12) **United States Design Patent**
Kelly

(10) **Patent No.:** **US D574,668 S**

(45) **Date of Patent:** **** Aug. 12, 2008**

(54) **COMBINATION COOLER, TACKLE BOX,
SEAT AND FISHING ROD HOLDER**

(76) Inventor: **Robert W. Kelly**, 6844 Sawyer Rd.,
Liberty, NC (US) 27298

(**) Term: **14 Years**

(21) Appl. No.: **29/289,819**

(22) Filed: **Aug. 2, 2007**

(51) **LOC (8) Cl.** **07-01**

(52) **U.S. Cl.** **D7/608; D22/136; D32/53**

(58) **Field of Classification Search** D7/603-608,
D7/629, 612-615; D22/134, 136, 199; D32/53;
43/54.1, 55; 220/915.1, 915.2, 592.01, 592.03,
220/592.09, 592.16, 592.2; 62/457.1-457.9,
62/371, 372

See application file for complete search history.

(56) **References Cited**

U.S. PATENT DOCUMENTS

D122,762	S	*	10/1940	Arnold	D7/608
4,128,170	A		12/1978	Elliott	206/315
D261,088	S	*	10/1981	Akimov et al.	D7/608
4,537,044	A	*	8/1985	Putnam	62/371
4,845,881	A	*	7/1989	Ward	43/54.1
D305,850	S	*	2/1990	Peterson et al.	D7/608
5,131,179	A		7/1992	McEwen	43/21.2
D338,137	S	*	8/1993	Ochs	D7/606
5,305,544	A		4/1994	Testa, Jr.	43/54.1
D371,185	S	*	6/1996	Mullins	D22/136

D376,075	S	*	12/1996	Morales Segura	D7/709
5,586,805	A	*	12/1996	Rinehart	297/188.09
D380,297	S	*	7/1997	Magnant et al.	D3/276
D425,600	S	*	5/2000	Pas et al.	D22/136
6,467,779	B1		10/2002	Mills	280/47.26
D530,141	S	*	10/2006	Wilgus et al.	D7/608

* cited by examiner

Primary Examiner—Terry A Wallace

(57) **CLAIM**

The ornamental design for a combination cooler, tackle box, seat and fishing rod holder, as shown and described.

DESCRIPTION

FIG. 1 is a top, front, left side perspective view of a combination cooler, tackle box, seat and fishing rod holder embodying my design;

FIG. 2 is a top plan view thereof;

FIG. 3 is a bottom plan view thereof;

FIG. 4 is a front elevational view thereof;

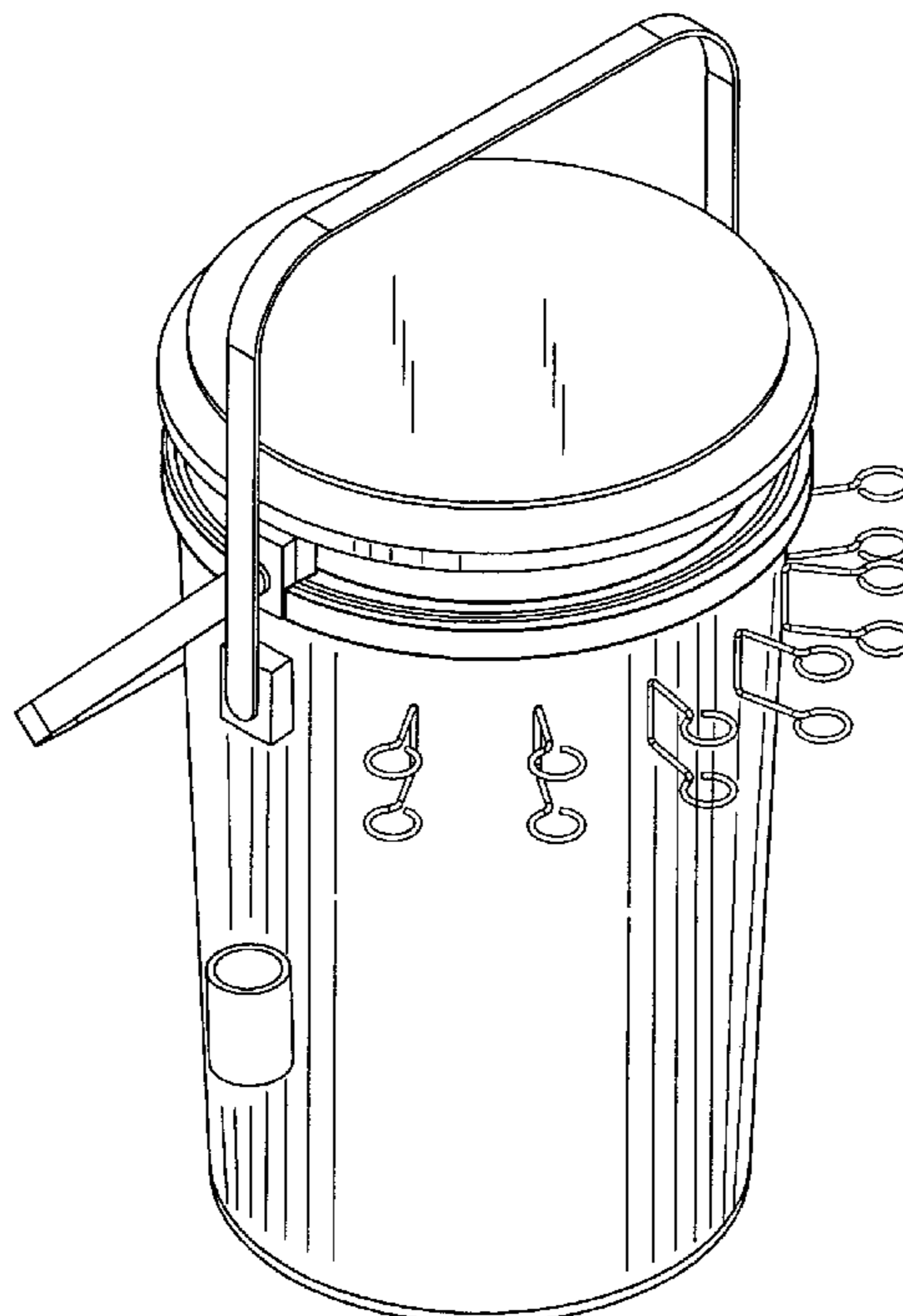
FIG. 5 is a right side elevational view thereof, the left side elevational view being a mirror image thereof;

FIG. 6 is a rear elevational view thereof;

FIG. 7 is a cross sectional view as seen along lines 7—7 in FIG. 2; and,

FIG. 8 is an exploded perspective view showing the cooler and seat removed from the tackle box.

1 Claim, 5 Drawing Sheets



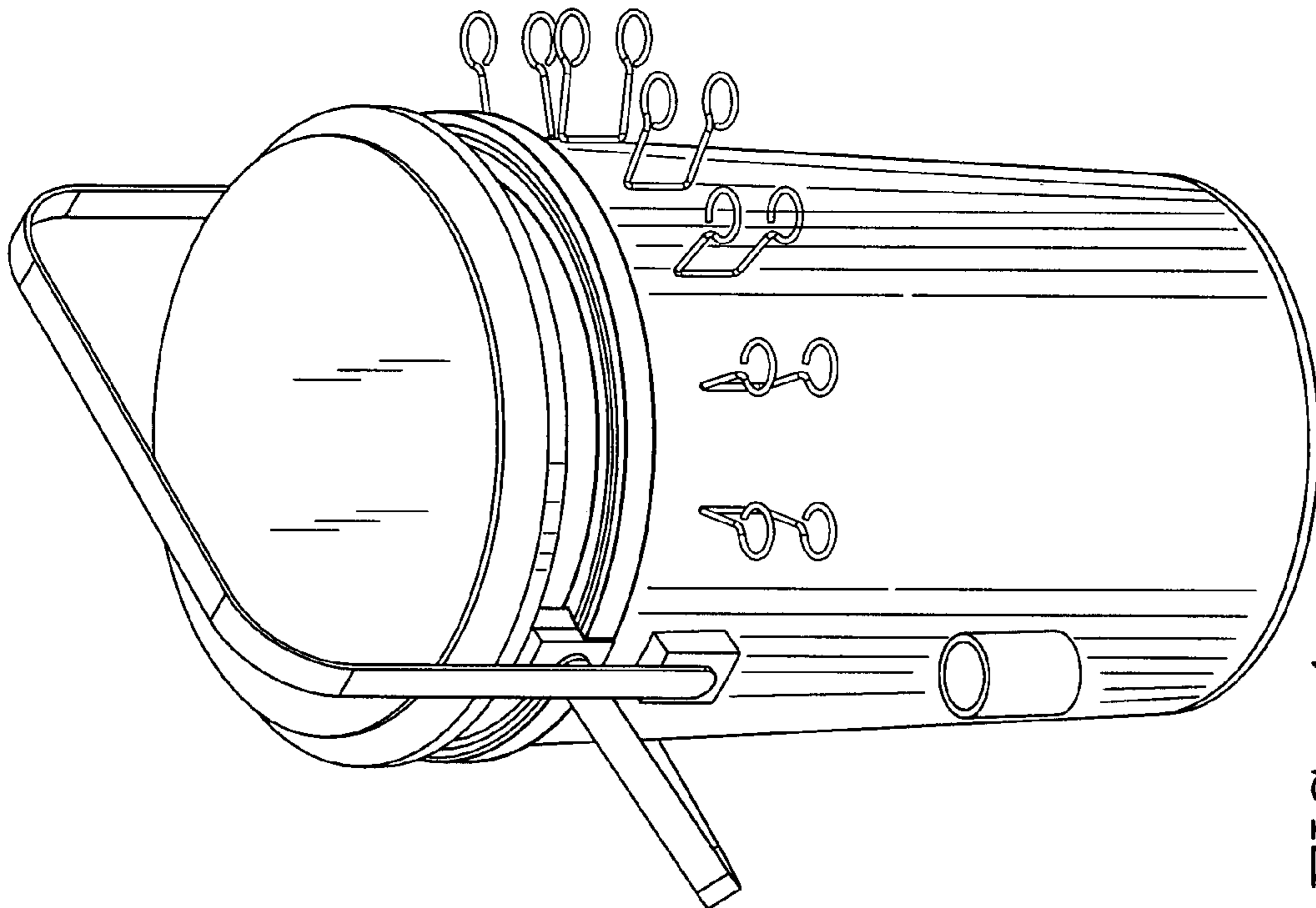


FIG. 1

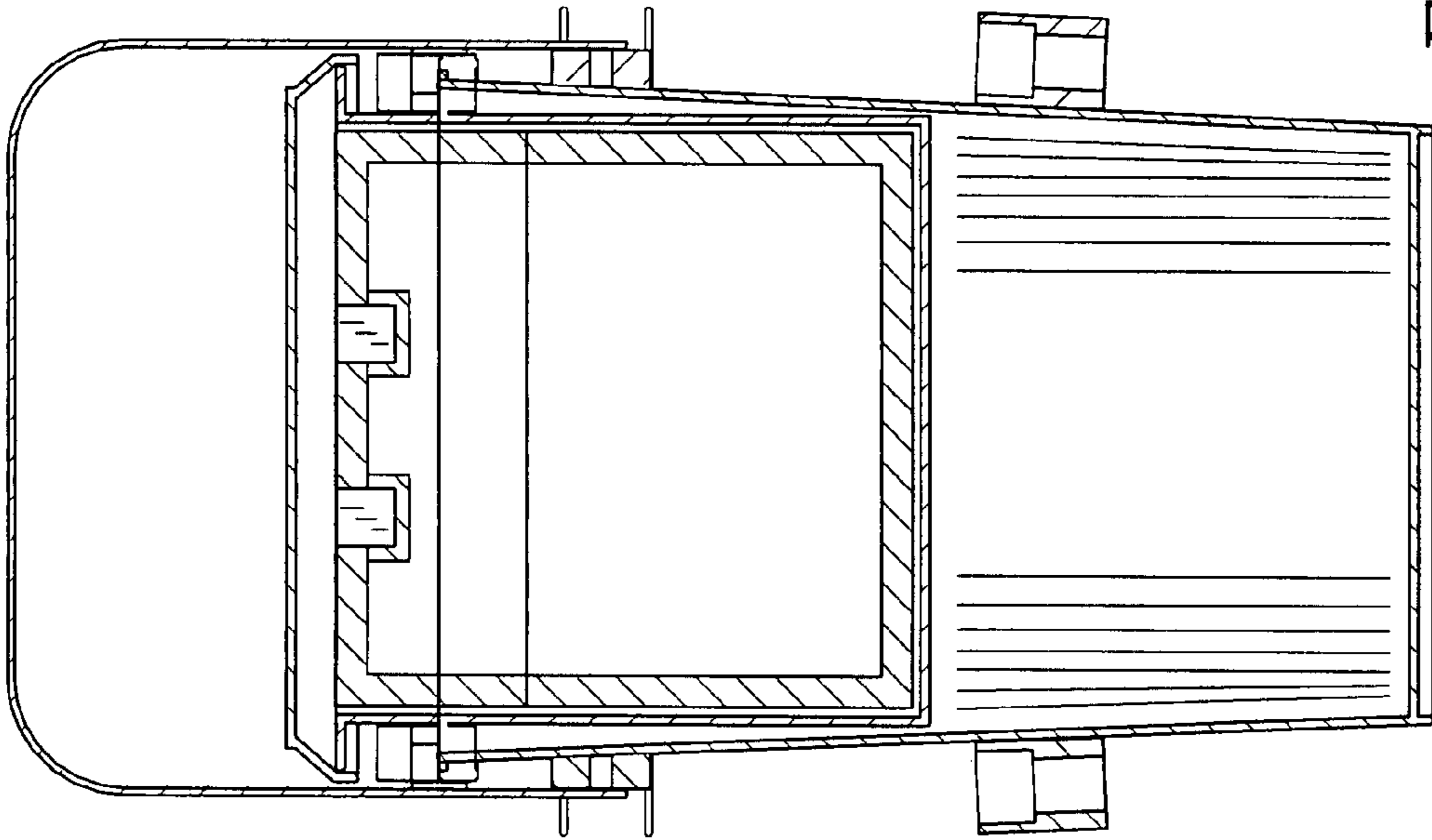


FIG. 7

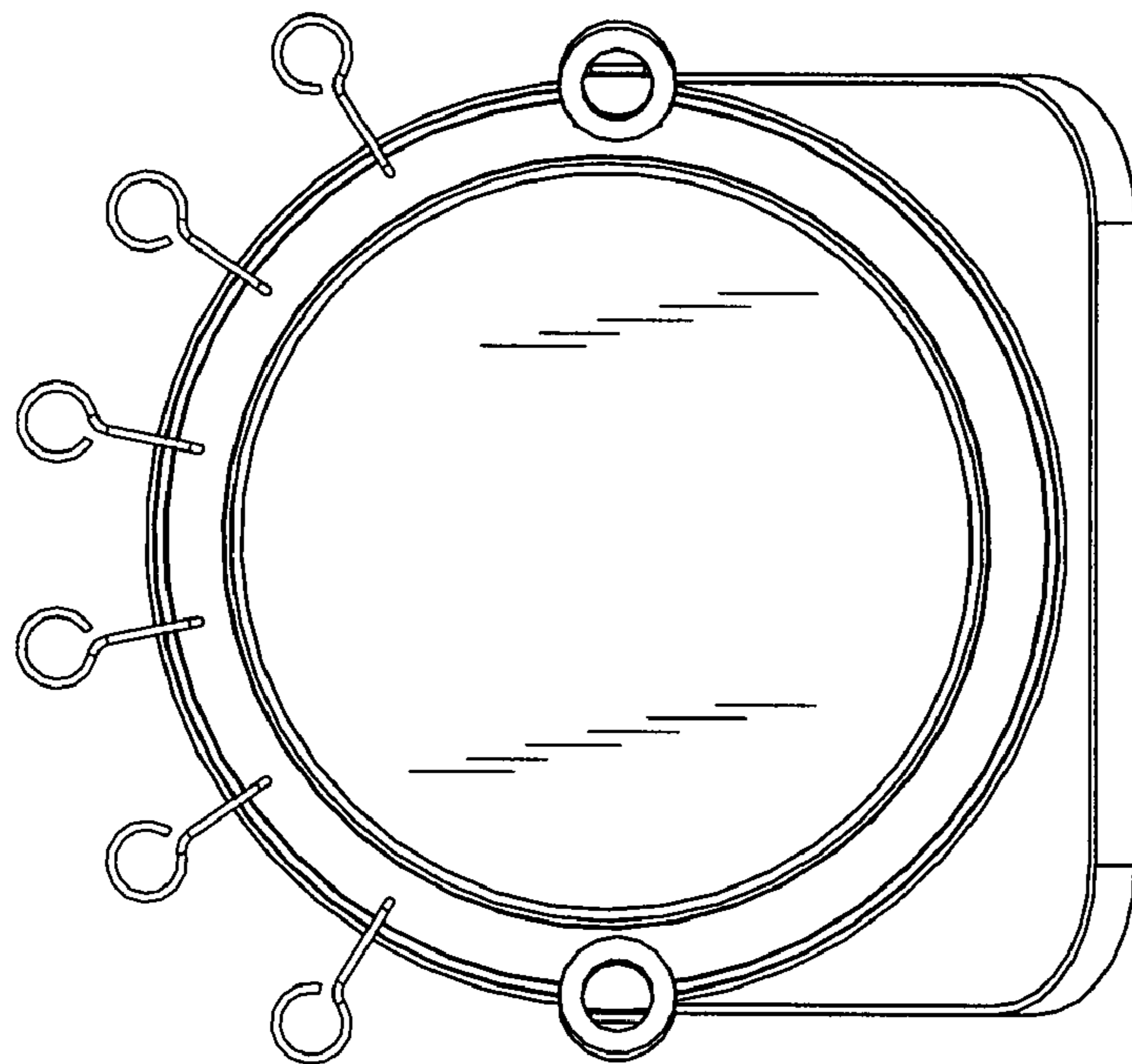


FIG. 3

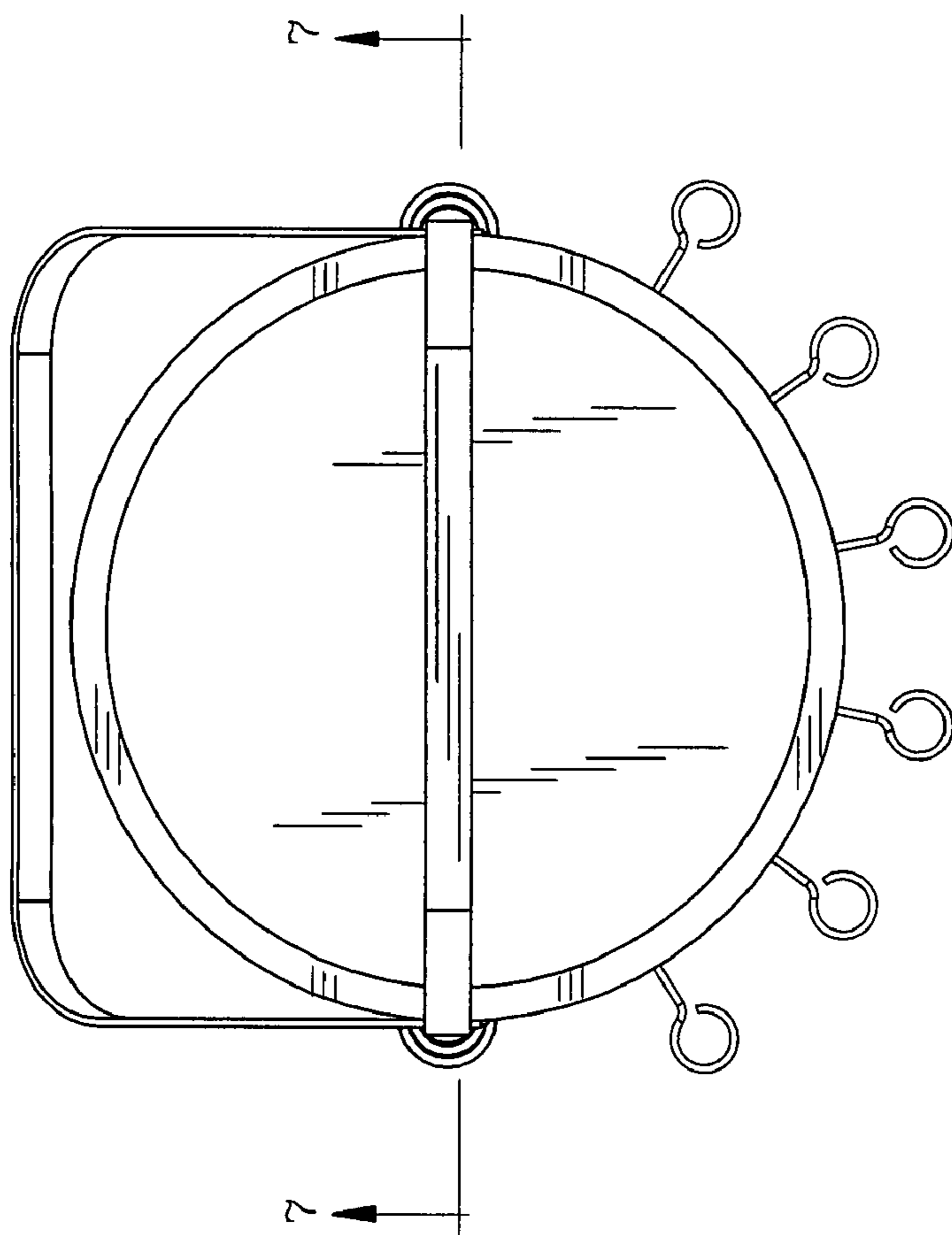


FIG. 2

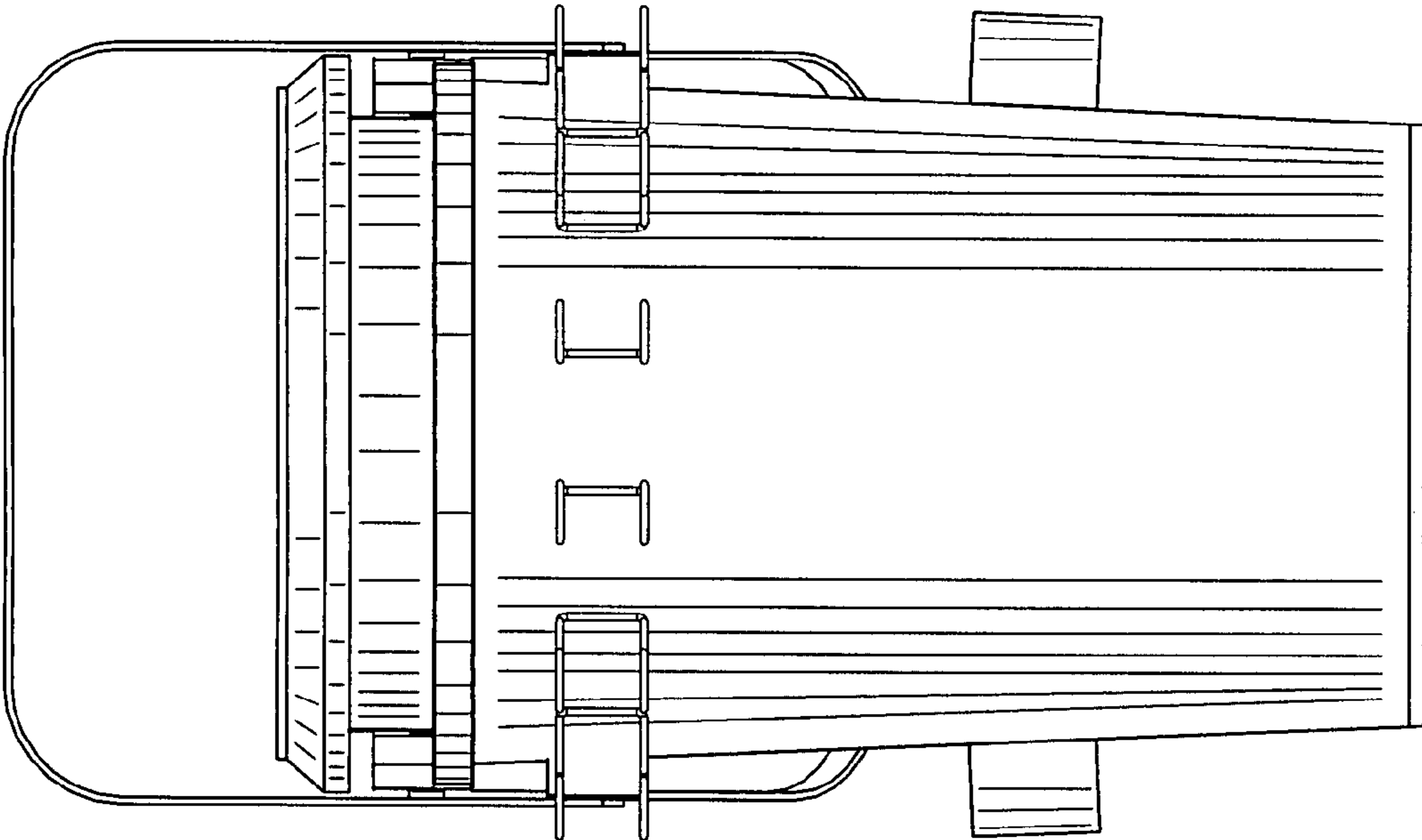


FIG. 4

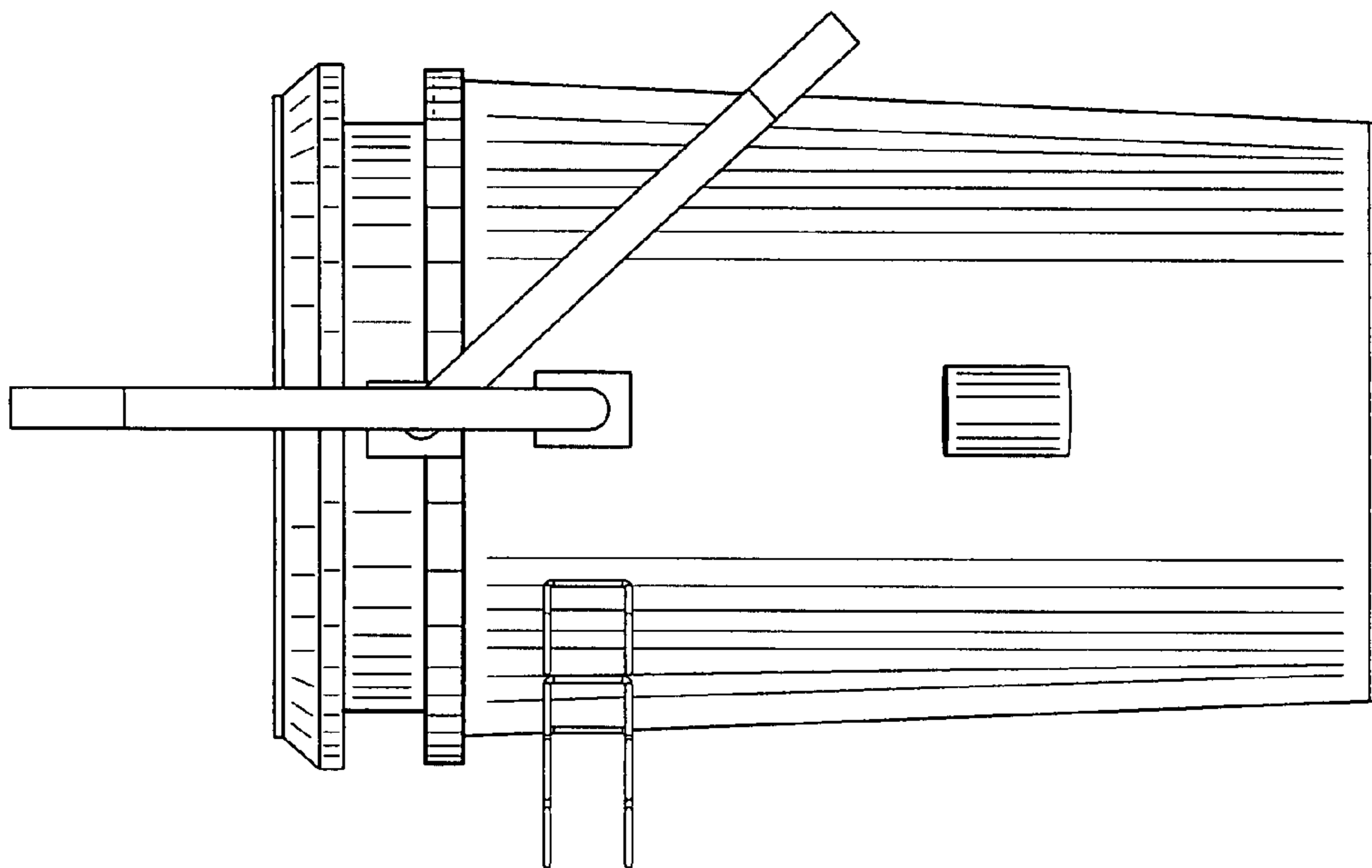


FIG. 5

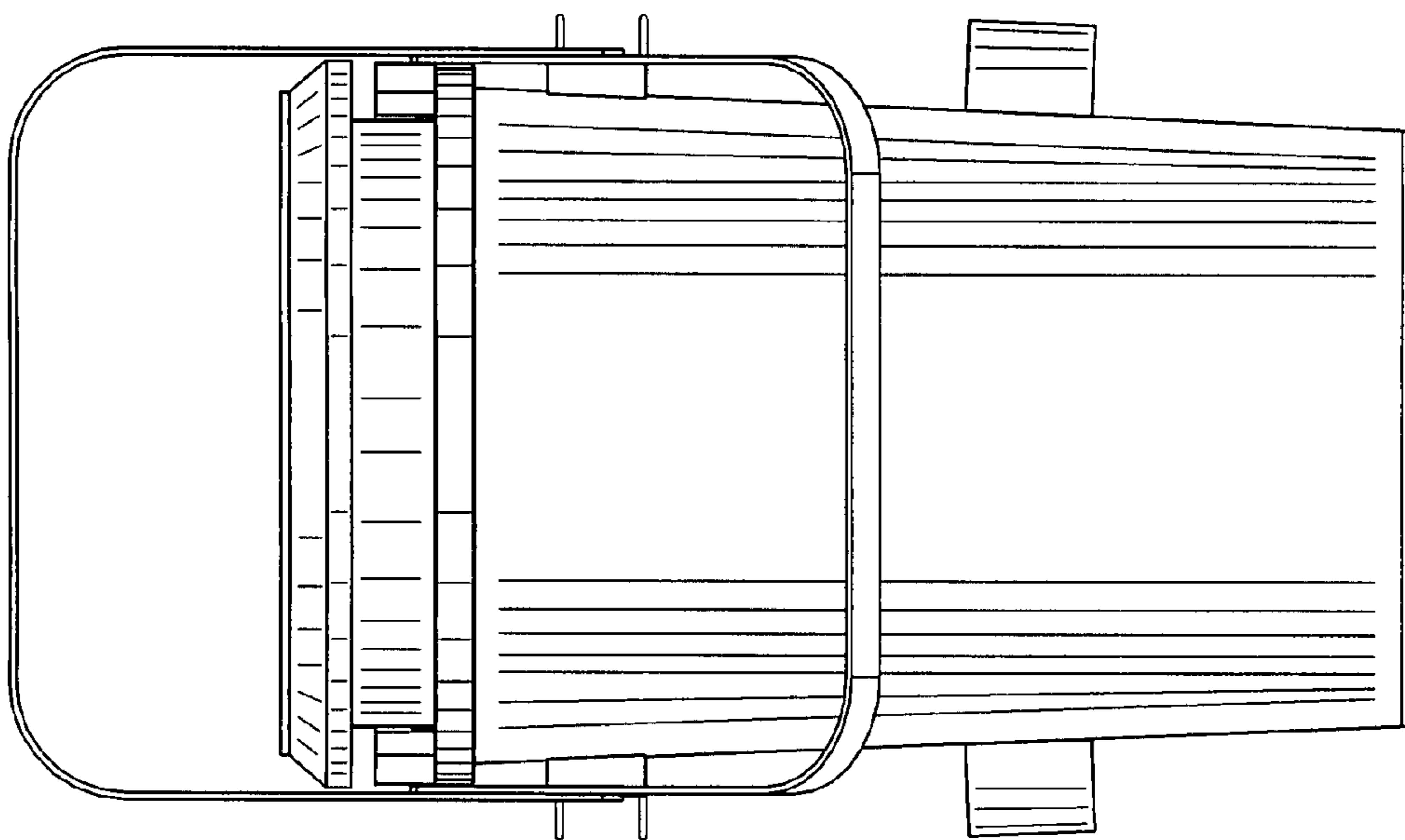


FIG. 6

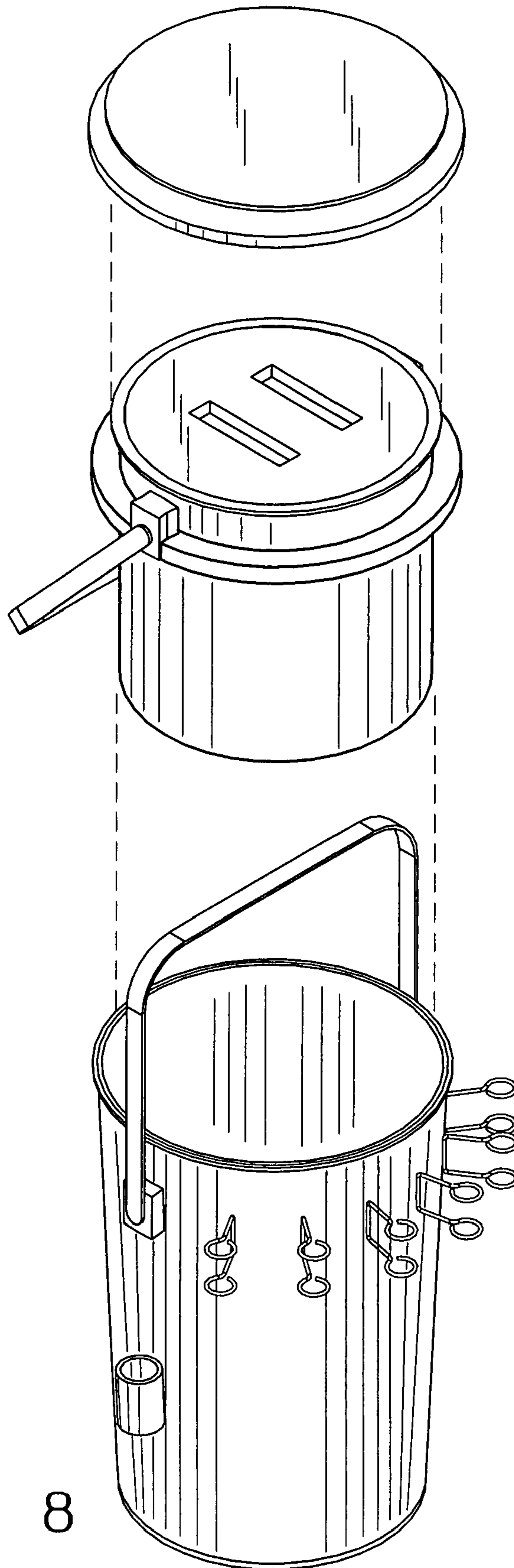


FIG. 8