



US00D574667S

(12) **United States Design Patent**
Grabijas, III et al.

(10) **Patent No.:** **US D574,667 S**

(45) **Date of Patent:** **** Aug. 12, 2008**

(54) **PORTABLE COOLER**

(75) Inventors: **Martin Grabijas, III**, Gig Harbor, WA (US); **Jesse Brian Thompson**, North Bend, WA (US)

(73) Assignee: **Mother, LLC**, Gig Harbor, WA (US)

(**) Term: **14 Years**

(21) Appl. No.: **29/283,187**

(22) Filed: **Aug. 8, 2007**

(51) **LOC (8) Cl.** **07-01**

(52) **U.S. Cl.** **D7/607**

(58) **Field of Classification Search** D7/605-608, D7/709, 710, 602, 629; D3/273, 276, 283, D3/284, 285, 287, 289, 290, 291; 206/541-549; 383/38, 109, 110, 111, 113; 62/457.1-457.9, 62/371, 372; 220/915.1, 915.2, 592.01, 592.03, 220/592.09, 592.16, 592.2

See application file for complete search history.

(56) **References Cited**

U.S. PATENT DOCUMENTS

D291,149 S * 8/1987 Smith D3/287

D387,626 S * 12/1997 Melk D7/605
D422,555 S * 4/2000 Bergh D7/607
6,234,677 B1 * 5/2001 Mogil 383/110
D464,235 S * 10/2002 Jeong D7/607
D536,580 S * 2/2007 Krieger et al. D7/605
D560,450 S * 1/2008 Tagliati et al. D7/709

* cited by examiner

Primary Examiner—Terry A Wallace

(74) *Attorney, Agent, or Firm*—AXIOS Law Group, PLLC; Adam L. K. Philipp

(57) **CLAIM**

The ornamental design of the portable cooler, as shown and described.

DESCRIPTION

FIG. 1 is a perspective view of the cooler showing my design.

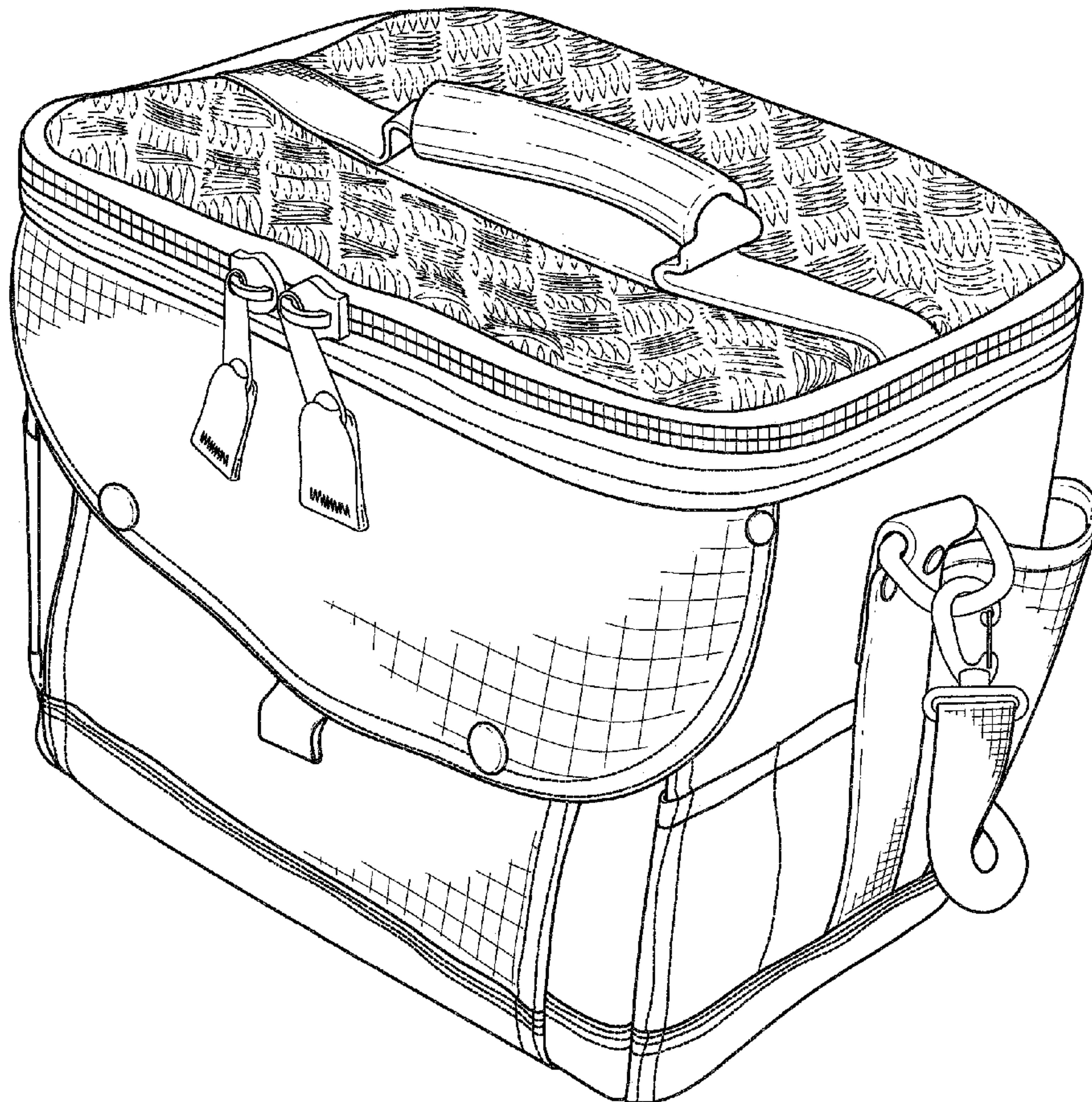
FIG. 2 is a front view thereof.

FIG. 3 is a rear view thereof.

FIG. 4 is a right side view thereof; and,

FIG. 5 is a top view thereof.

1 Claim, 5 Drawing Sheets



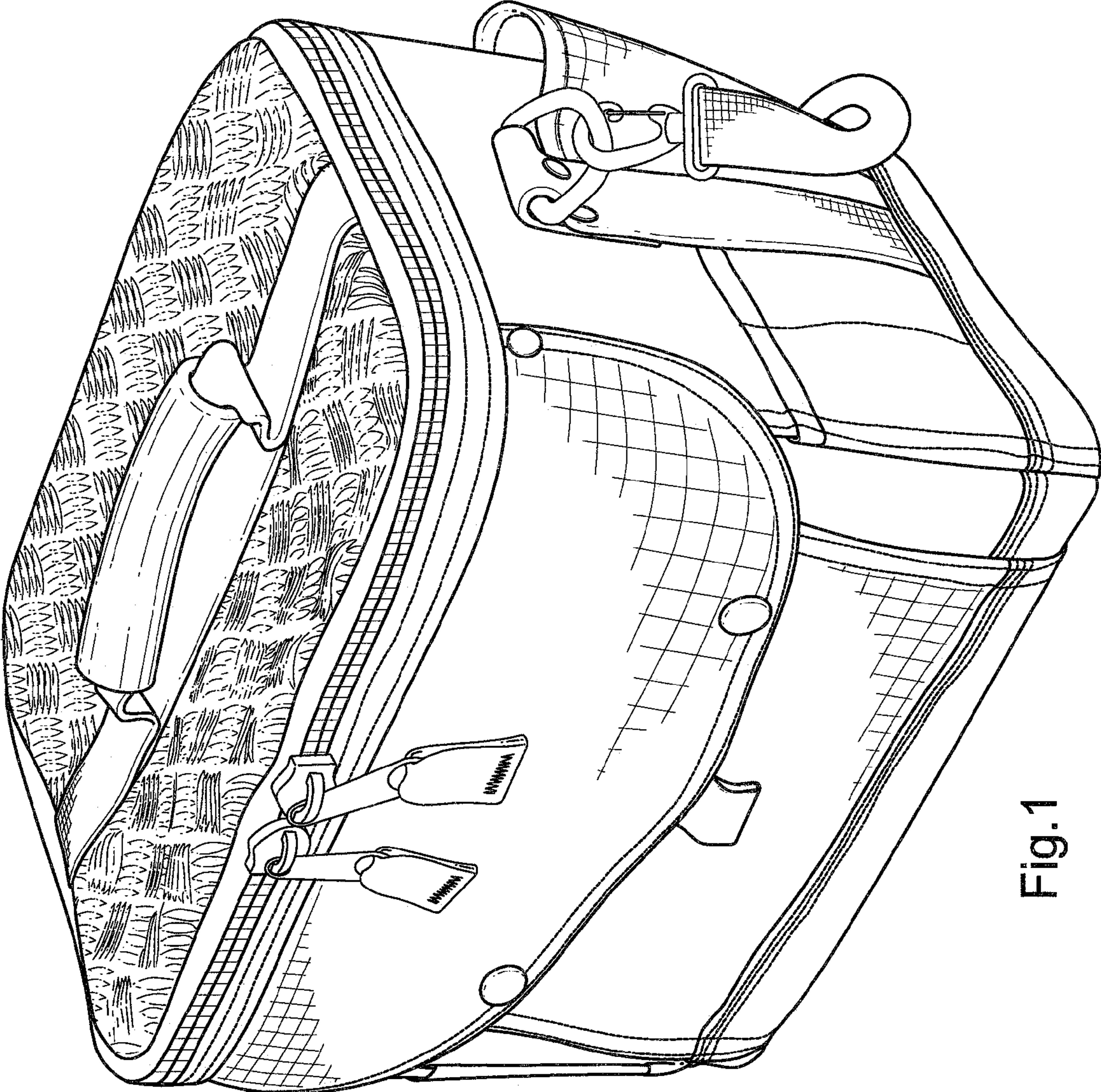


Fig.1

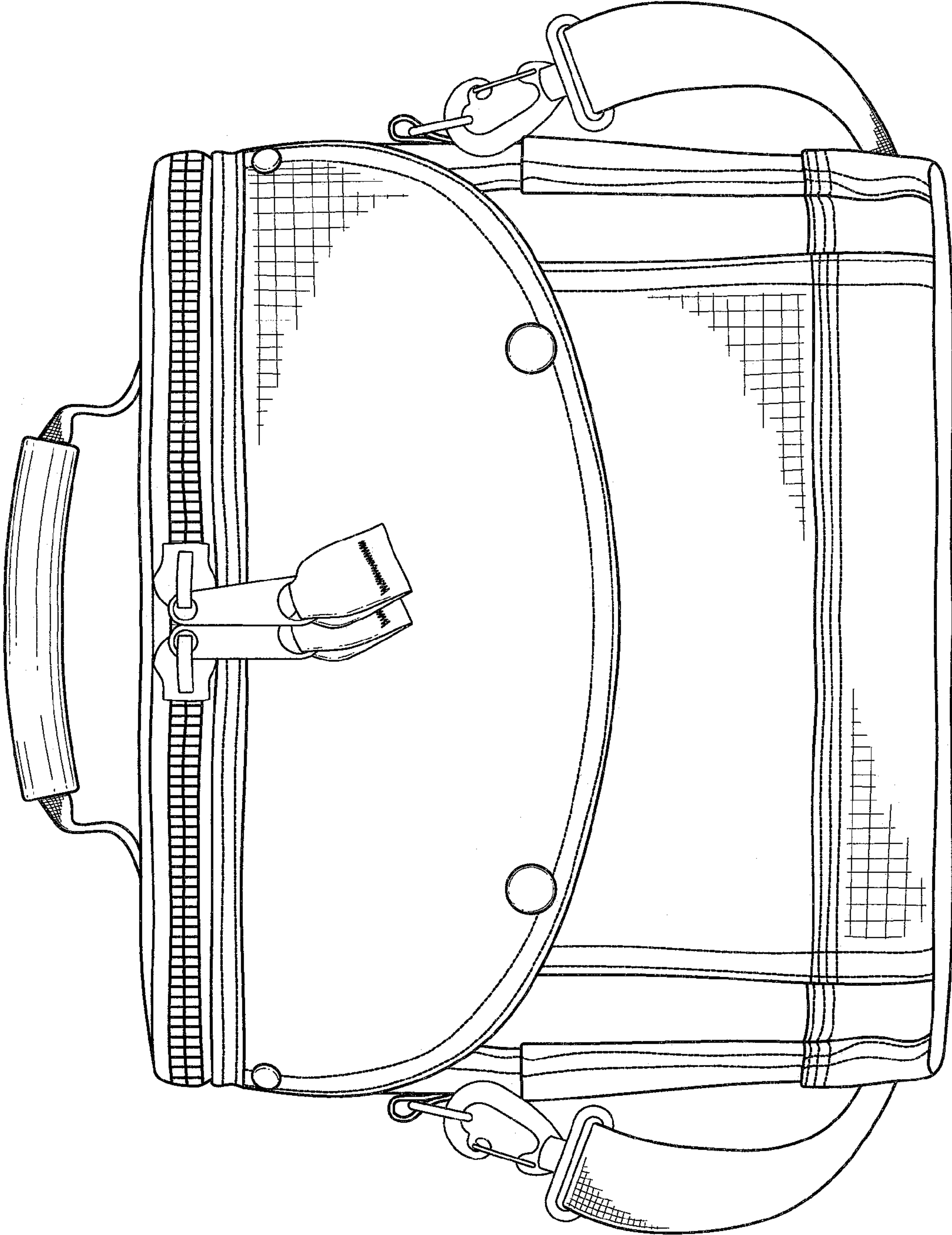


Fig.2

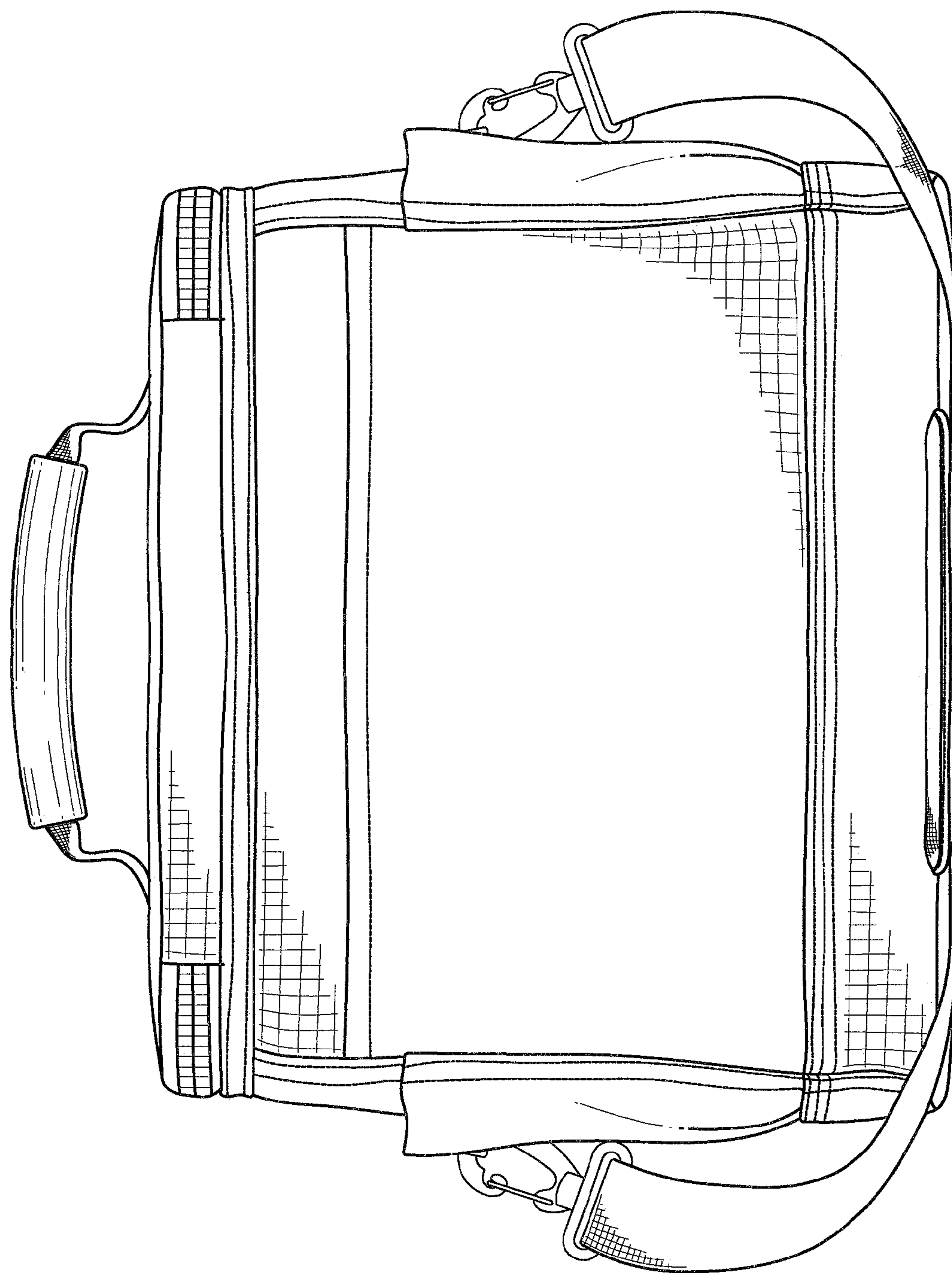


Fig.3

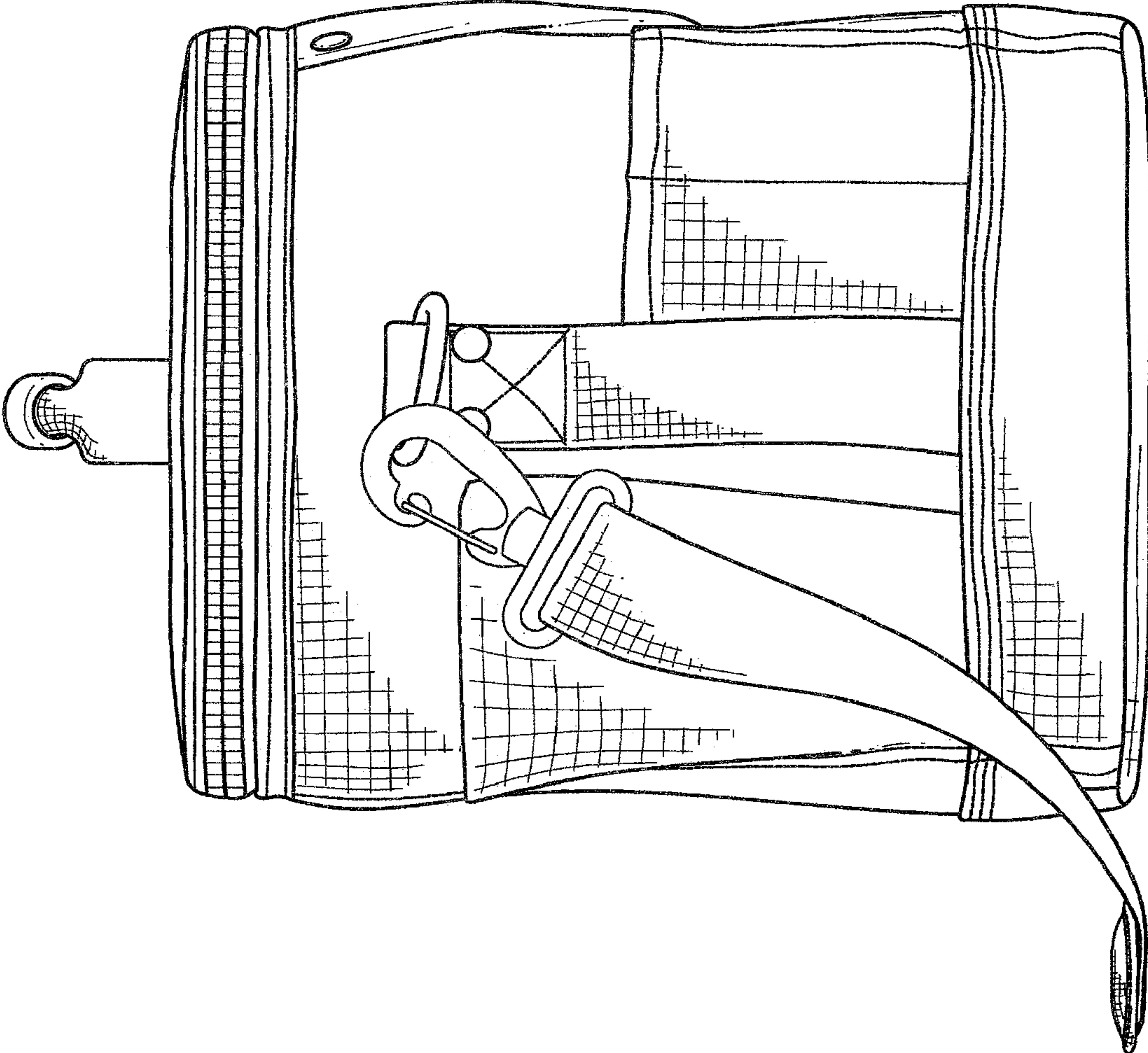


Fig. 4

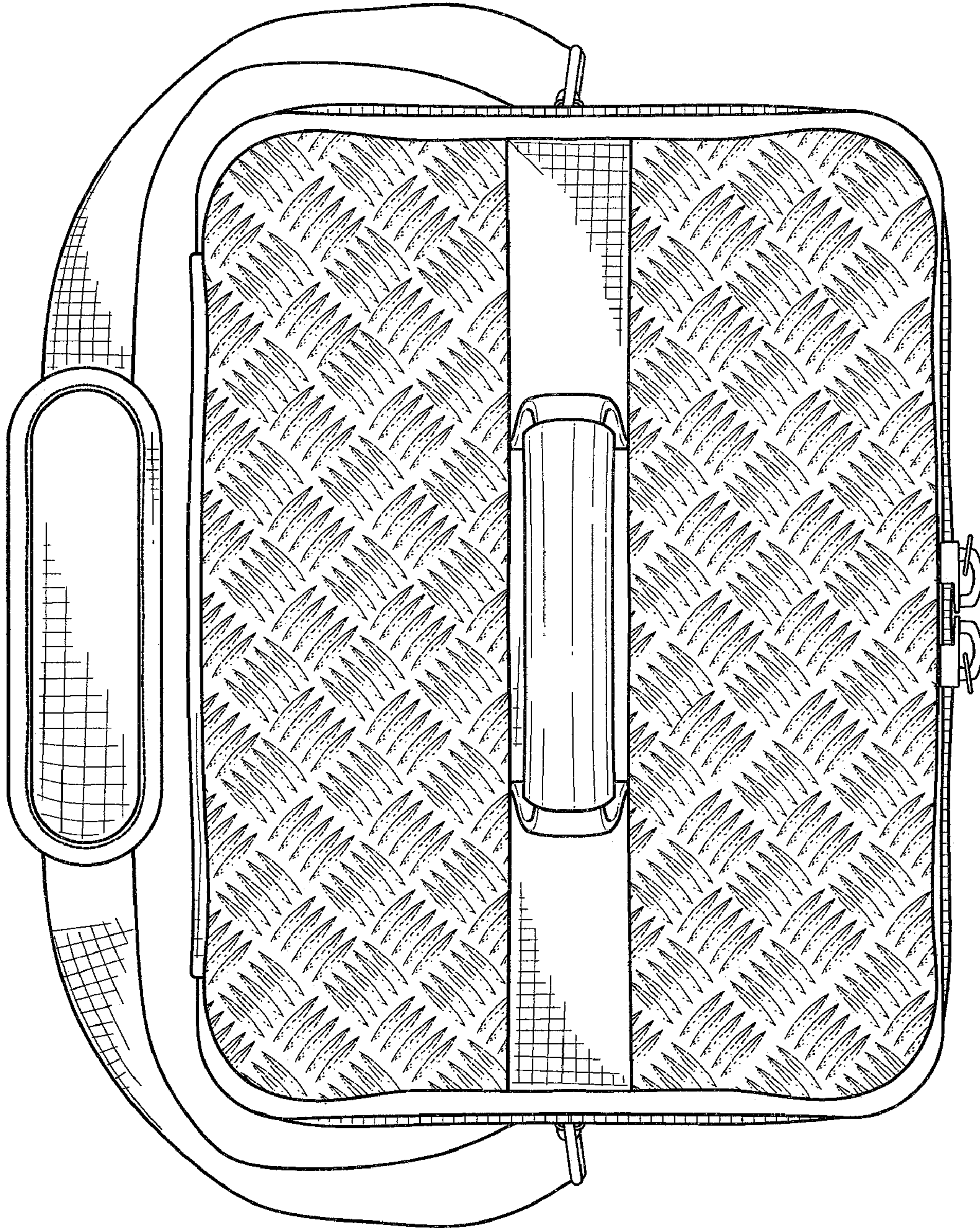


Fig.5