



US00D574664S

(12) **United States Design Patent**
Thompson

(10) **Patent No.:** **US D574,664 S**

(45) **Date of Patent:** **** Aug. 12, 2008**

(54) **SPORT BEVERAGE CONTAINER**

(76) Inventor: **Charles Thompson**, 600 Valley Rd.,
Unit B-60, Warrington, PA (US) 18976

(**) Term: **14 Years**

(21) Appl. No.: **29/289,678**

(22) Filed: **Jul. 27, 2007**

(51) **LOC (8) Cl.** **07-01**

(52) **U.S. Cl.** **D7/515; D7/901; D7/536**

(58) **Field of Classification Search** D7/901,
D7/514, 515, 510, 511, 509, 536, 533; D11/149;
D28/7; D24/197, 198; D3/202; 220/630;
D21/716; D9/668; 206/217

See application file for complete search history.

(56) **References Cited**

U.S. PATENT DOCUMENTS

D212,818 S *	11/1968	Flarity	D7/511
D239,588 S *	4/1976	Krieger	D7/515
D249,438 S *	9/1978	Meier et al.	D7/511
4,164,284 A *	8/1979	Witt et al.	206/217
D288,328 S *	2/1987	Scott	D15/136
D292,463 S *	10/1987	Petrsek	D7/515
D323,602 S *	2/1992	Katz	D7/316
D359,655 S *	6/1995	Hurst et al.	D7/515
D398,188 S *	9/1998	Weeks et al.	D7/515
D424,375 S *	5/2000	D'Arringo	D7/510

D425,757 S *	5/2000	Printz et al.	D7/510
D477,132 S *	7/2003	Bond et al.	D3/202
D478,480 S *	8/2003	Leon	D7/624.1
D511,212 S *	11/2005	Whalen	D24/197
D518,596 S *	4/2006	Angeletta	D28/7
D547,696 S *	7/2007	Wheeler	D11/149
D562,073 S *	2/2008	Yeh	D7/515

* cited by examiner

Primary Examiner—Marianne Pandozzi

(74) *Attorney, Agent, or Firm*—Armand M. Vozzo, Jr.

(57) **CLAIM**

The ornamental design for a sport beverage container, as shown and described.

DESCRIPTION

FIG. 1 is a perspective view of a sport beverage container showing my new design;

FIG. 2 is a front elevational view thereof;

FIG. 3 is a top plan view thereof;

FIG. 4 is a side elevational view thereof;

FIG. 5 is a bottom plan view thereof; and,

FIG. 6 is an exploded perspective view thereof.

The broken lines in the drawings are included for the purpose of illustration and form no part of the claimed design.

1 Claim, 3 Drawing Sheets

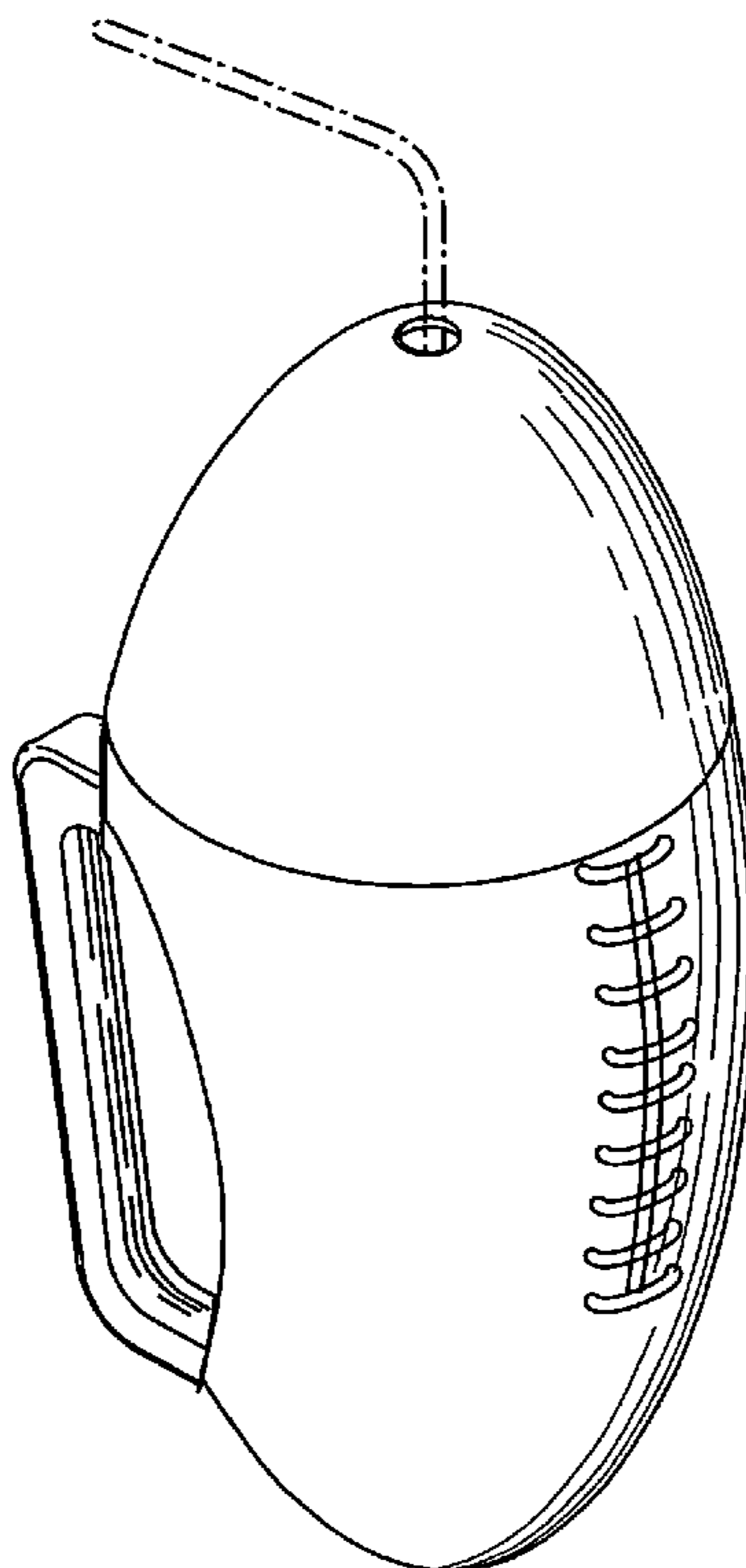


FIG. 1

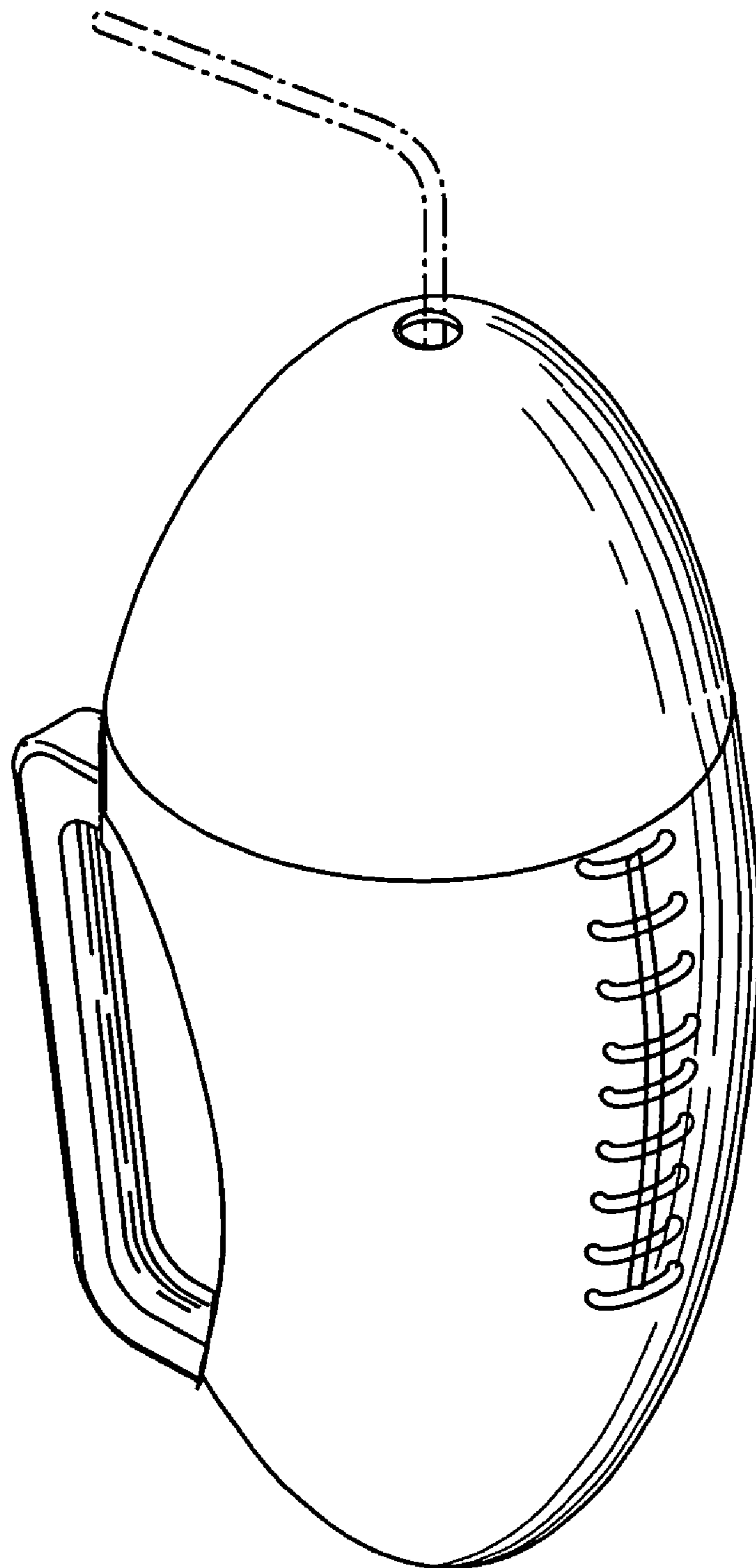


FIG. 2

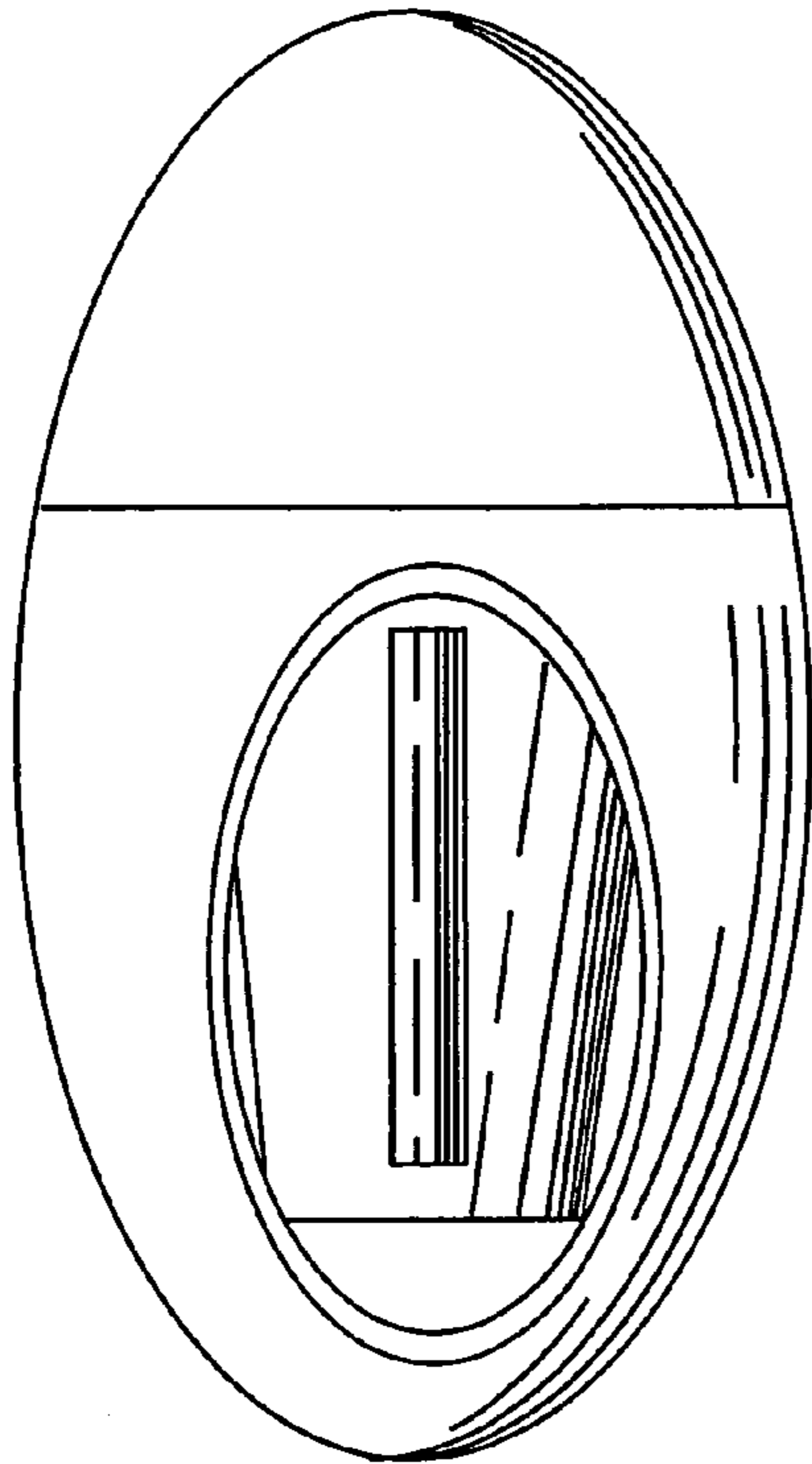


FIG. 4

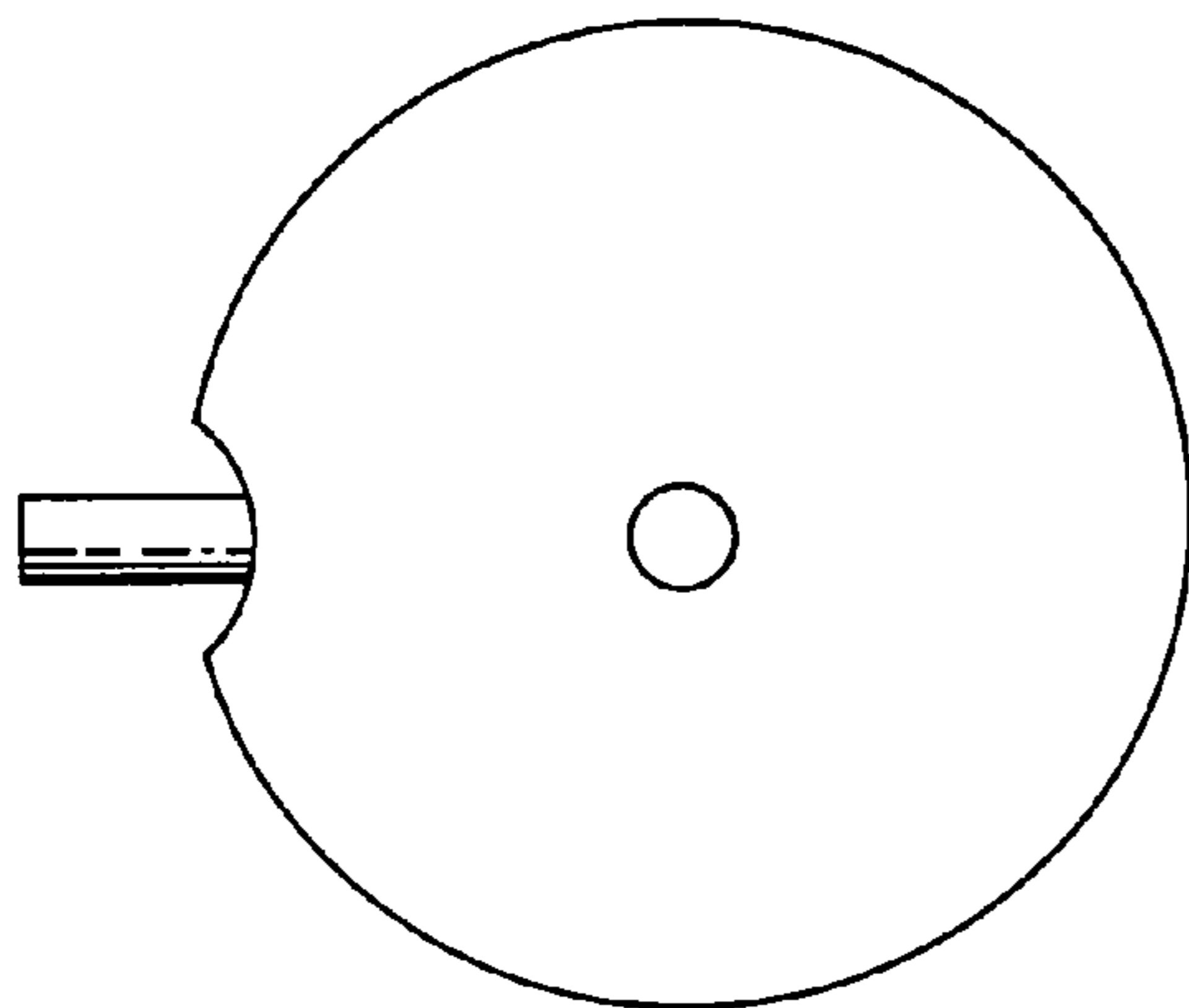
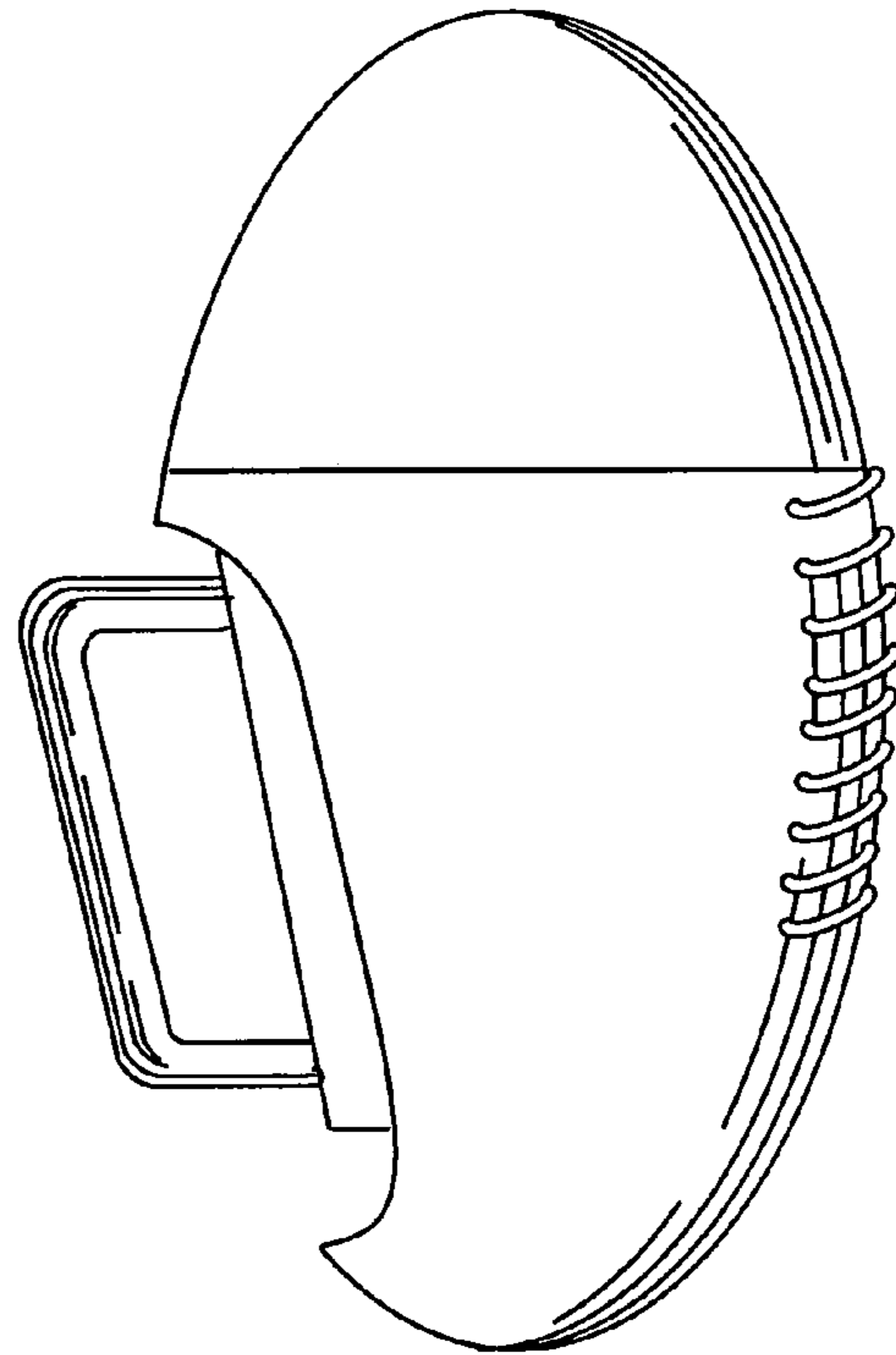


FIG. 3

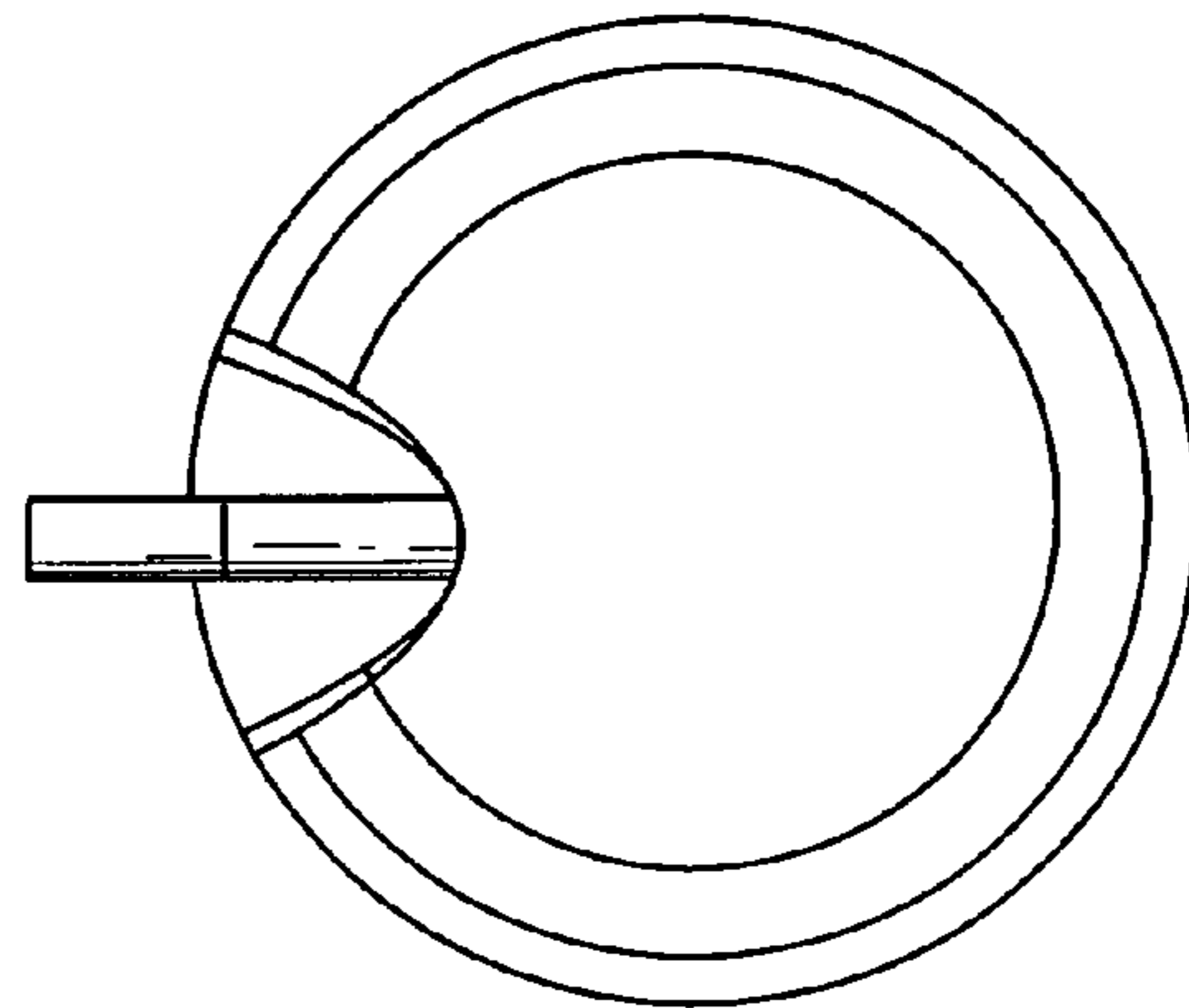


FIG. 5

FIG. 6

