



US00D574654S

(12) **United States Design Patent**
Kaiser

(10) **Patent No.:** **US D574,654 S**

(45) **Date of Patent:** **** Aug. 12, 2008**

(54) **MEDIA STORAGE CONTAINER**

7,222,352 B2 * 5/2007 Park et al. 720/733
D559,578 S * 1/2008 Kaiser D6/407

(75) Inventor: **Shelli C. Kaiser**, Copley, OH (US)

* cited by examiner

(73) Assignee: **Nexpak Corporation**, Duluth, GA (US)

Primary Examiner—Charles A. Rademaker

(**) Term: **14 Years**

Assistant Examiner—Charles D Hanson

(21) Appl. No.: **29/296,601**

(74) *Attorney, Agent, or Firm*—Zollinger & Burleson Ltd

(22) Filed: **Oct. 24, 2007**

(57) **CLAIM**

Related U.S. Application Data

The ornamental design for a media storage container, as shown and described.

(62) Division of application No. 29/237,535, filed on Aug. 31, 2005, now Pat. No. Des. 559,578.

DESCRIPTION

(51) **LOC (8) Cl.** **06-02**

FIG. 1 is a perspective view of a media storage container showing my new design;

(52) **U.S. Cl.** **D6/627**

FIG. 2 is a front elevation view thereof;

(58) **Field of Classification Search** D6/407,
D6/450, 626–635; D9/433, 422, 418, 428,
D9/522, 523, 544, 663; D3/303, 294, 218;
D14/137, 479, 478, 474; 206/751, 755, 457,
206/312, 311, 310, 309, 308.2, 308.1, 307,
206/303, 232, 579, 493, 472; 720/719, 655,
720/728, 734; 211/40; 53/445, 462

FIG. 3 is a rear elevation thereof;

FIG. 4 is a top plan view thereof;

FIG. 5 is a bottom plan view thereof;

FIG. 6 is a left side view thereof;

FIG. 7 is a right side view thereof;

See application file for complete search history.

FIG. 8 is a perspective view of a modified embodiment of the design shown in FIGS. 1 through 7;

FIG. 9 is a front elevation view thereof;

FIG. 10 is a rear elevation view thereof;

FIG. 11 is a left side view thereof;

FIG. 12 is a right side view thereof;

FIG. 13 is a top plan view thereof; and,

FIG. 14 is a bottom plan view thereof.

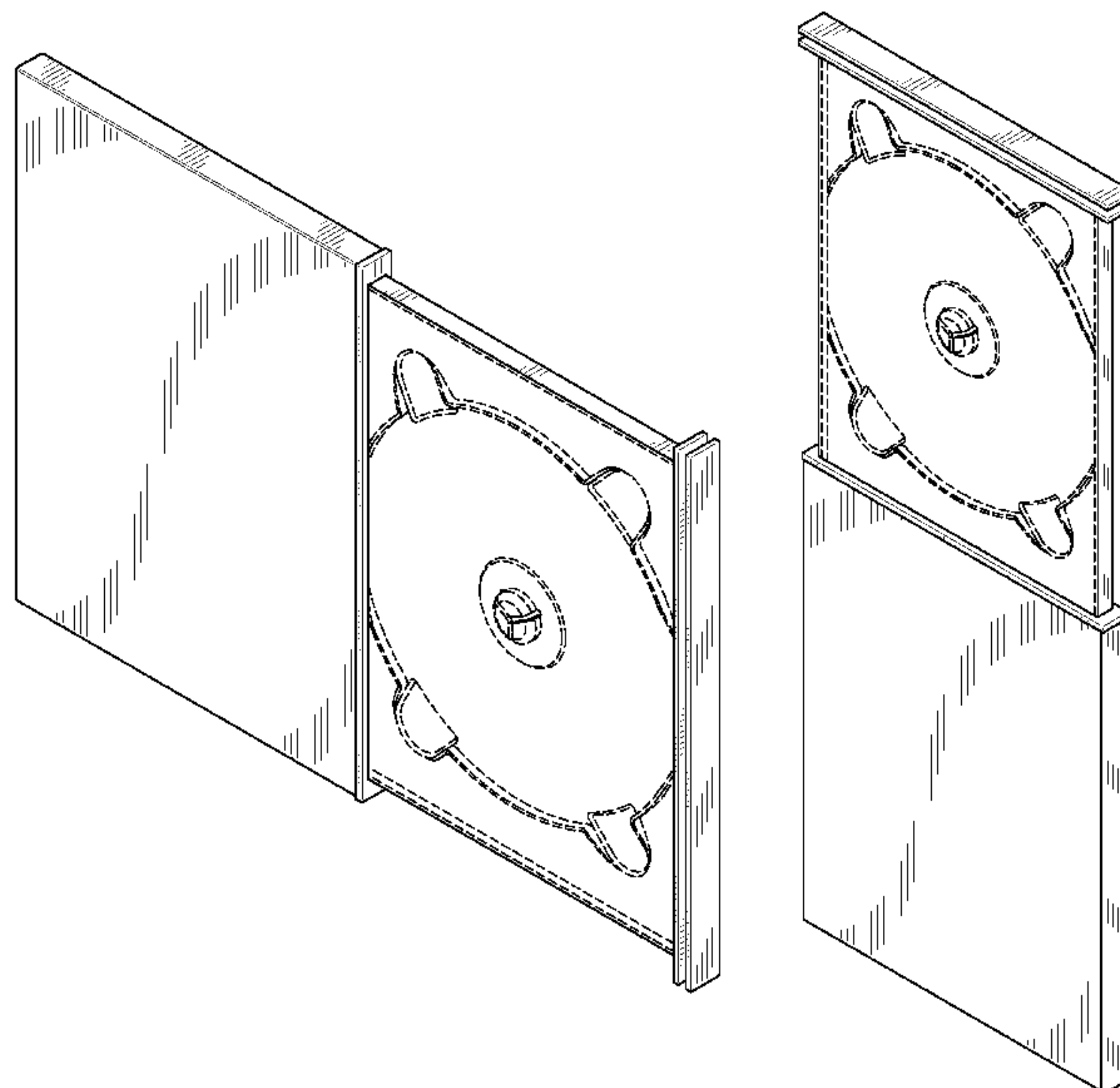
The broken line showing is included for the purpose of illustrating environment and forms no part of the claimed design.

(56) **References Cited**

U.S. PATENT DOCUMENTS

D237,267 S * 10/1975 Edwards D25/123
4,609,105 A * 9/1986 Manes et al. 206/308.3
5,011,010 A * 4/1991 Francis et al. 206/307
5,249,677 A * 10/1993 Lim 206/308.1
5,360,107 A * 11/1994 Chasin et al. 206/313
D384,538 S * 10/1997 Bosworth D6/632
D406,487 S * 3/1999 Attar et al. D6/632
5,988,376 A * 11/1999 Lax 206/308.2
D436,785 S * 1/2001 Kitch D6/627
6,913,148 B2 * 7/2005 Berg et al. 206/493

1 Claim, 10 Drawing Sheets



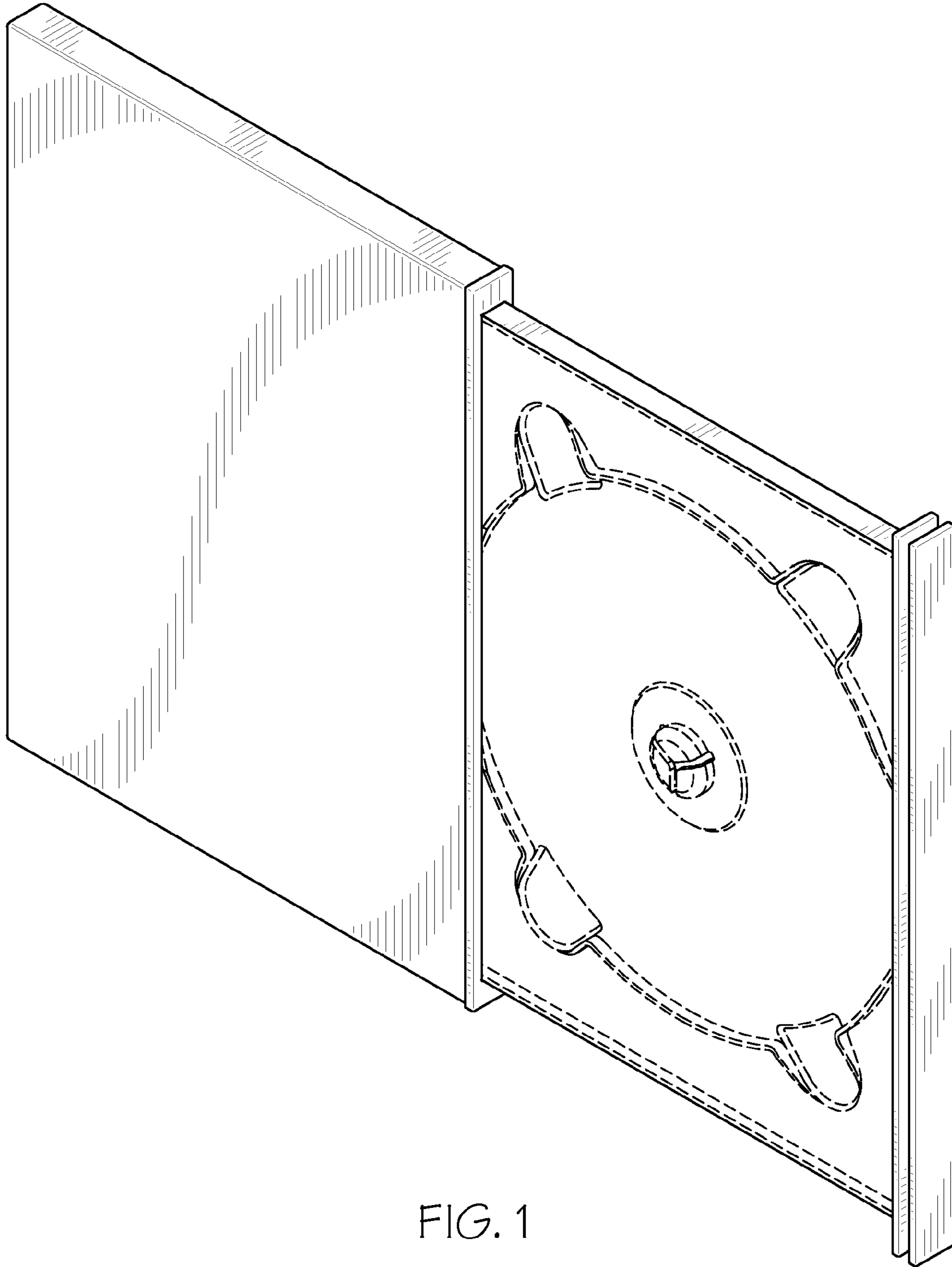


FIG. 1

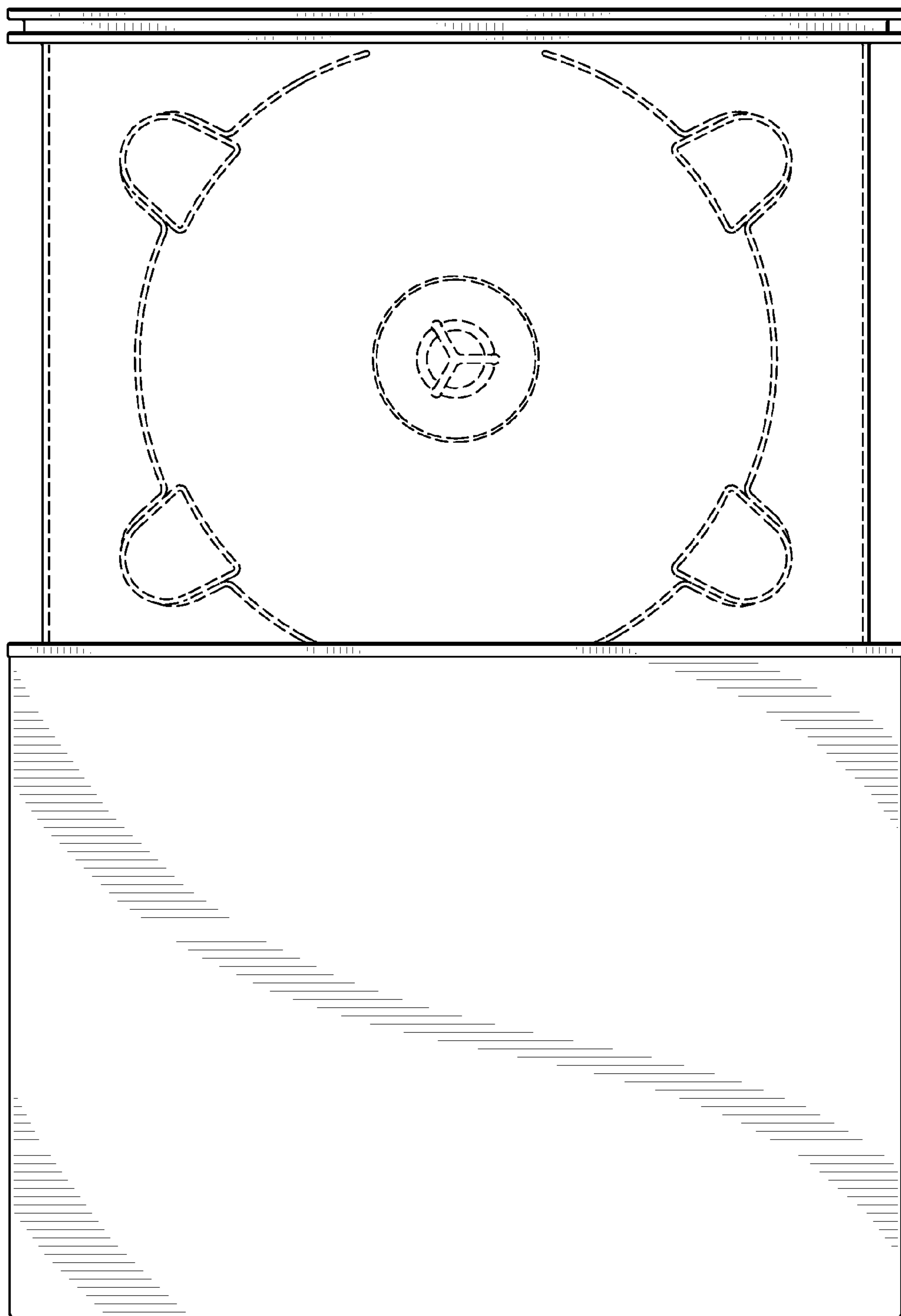


FIG. 2

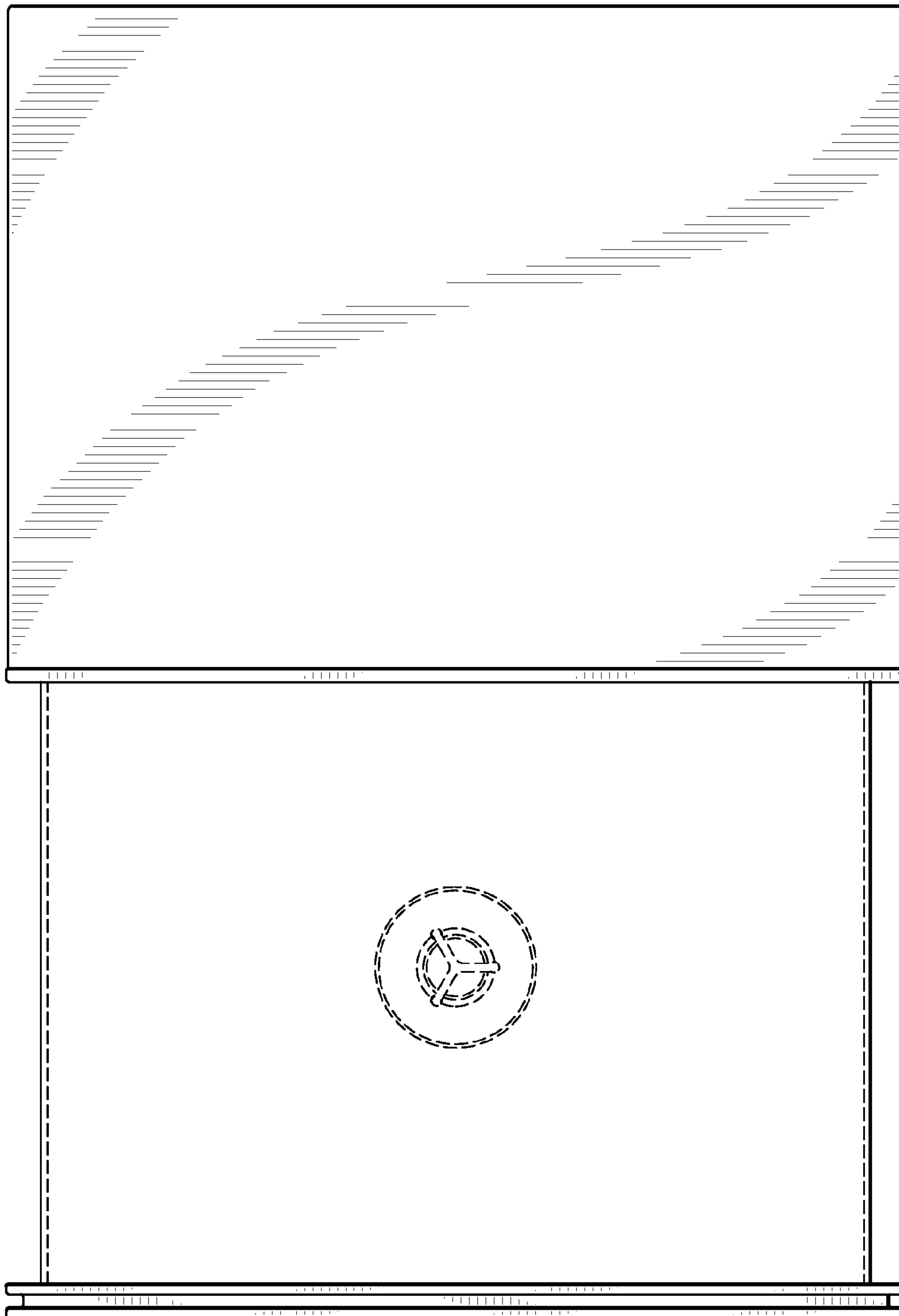


FIG. 3

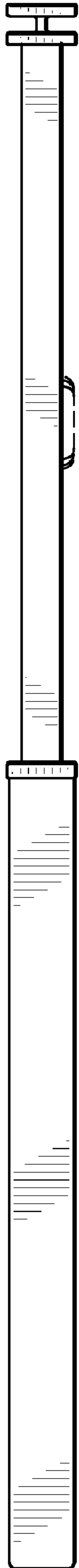


FIG. 4

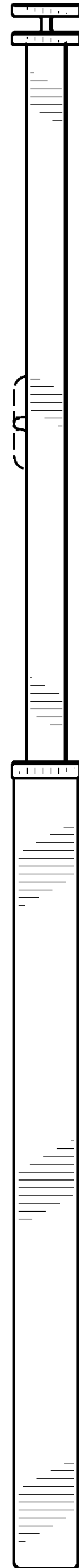


FIG. 5



FIG. 7



FIG. 6

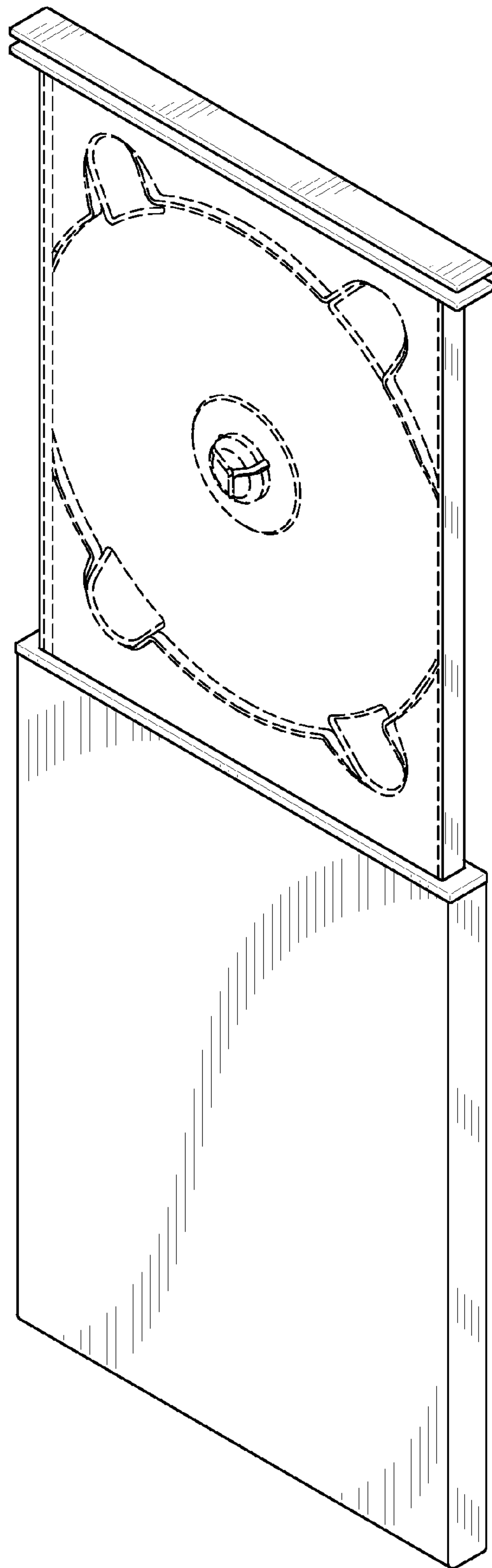


FIG. 8

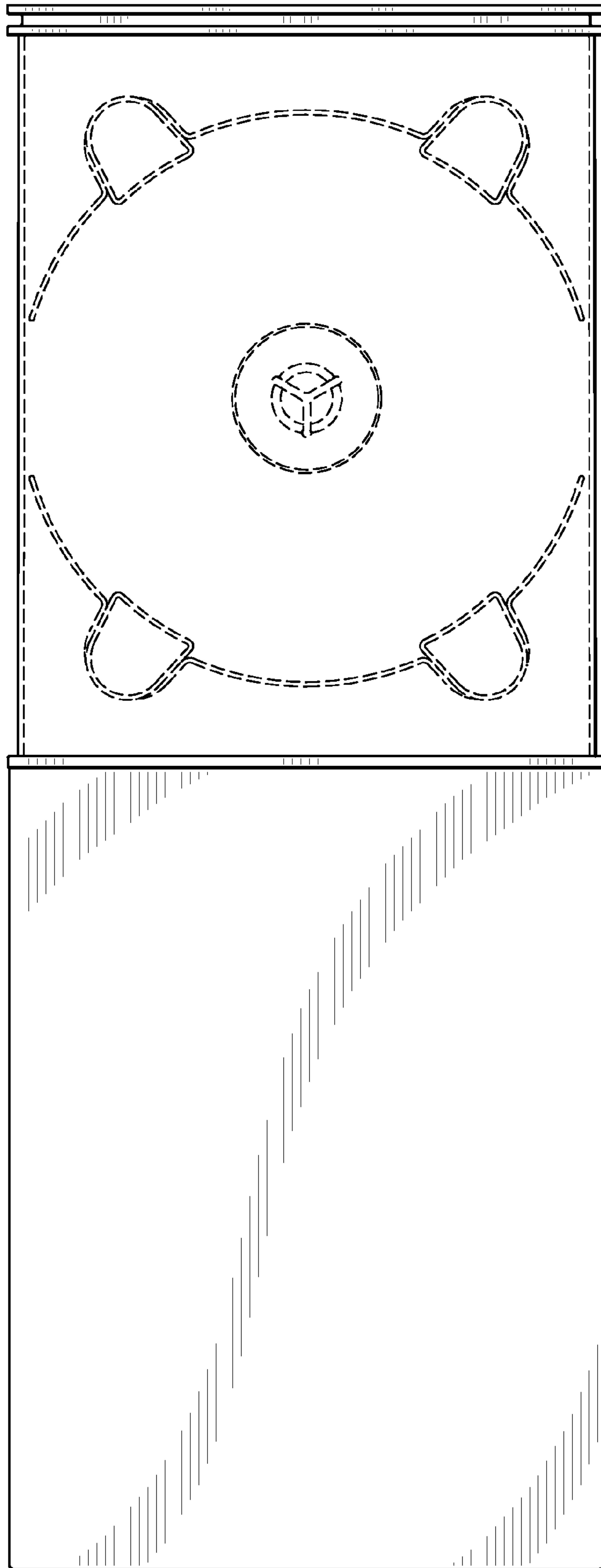


FIG. 9

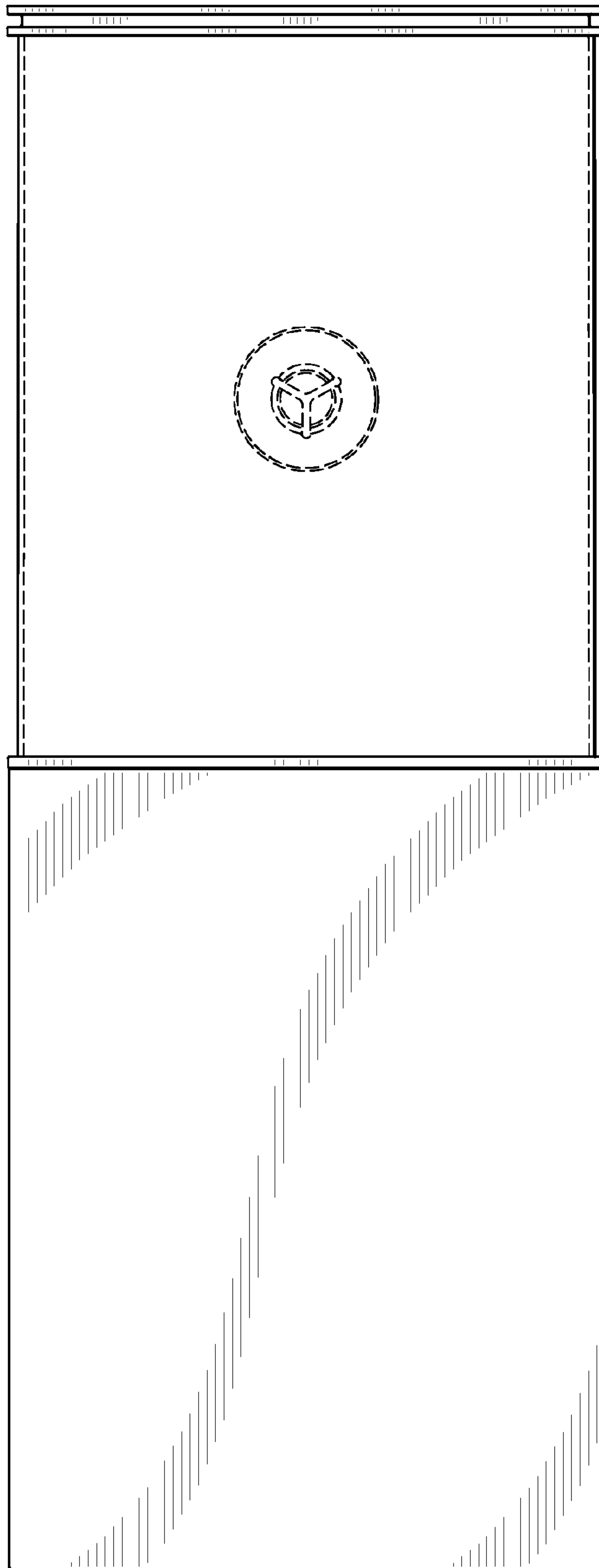


FIG. 10



FIG. 11



FIG. 12



FIG. 13



FIG. 14