



US00D574653S

(12) **United States Design Patent**
Belokin et al.

(10) **Patent No.:** **US D574,653 S**
(45) **Date of Patent:** **** Aug. 12, 2008**

(54) **DISPLAY TRAY**

(75) Inventors: **Paul Belokin**, Denton County, TX (US);
Martin P. Belokin, Denton County, TX
(US); **Norman P. Belokin**, Denton
County, TX (US)

(73) Assignee: **Displays by Martin Paul, Inc. -
Creative Center**, Denton, TX (US)

(**) Term: **14 Years**

(21) Appl. No.: **29/286,344**

(22) Filed: **May 2, 2007**

(51) **LOC (8) Cl.** **06-04**

(52) **U.S. Cl.** **D6/574**

(58) **Field of Classification Search** D6/405-415,
D6/449, 455-458, 461-468, 474-479, 510,
D6/511, 553, 567, 574; D7/590; D8/349;
108/59, 91, 106-107, 110, 144, 153, 180;
211/11, 13.1, 33, 134, 85.25, 85.31, 85.4,
211/86.01, 71.01, 186-191, 194, 181.1, 71-75,
211/88.01, 90.01, 88-90, 126.1; 248/65,
248/166, 220.42, 302; D12/407
See application file for complete search history.

(56) **References Cited**

U.S. PATENT DOCUMENTS

D323,766 S * 2/1992 Robbins et al. D7/590
D400,384 S * 11/1998 Belokin et al. D6/574
D407,295 S * 3/1999 Belokin et al. D8/349

D409,035 S * 5/1999 Belokin et al. D6/574
D410,359 S * 6/1999 Belokin et al. D6/574
5,913,433 A * 6/1999 Belokin et al. 211/90.01
D412,421 S * 8/1999 Belokin et al. D6/574
D413,036 S * 8/1999 Belokin et al. D6/574
D413,473 S * 9/1999 Belokin et al. D6/574
D413,474 S * 9/1999 Belokin et al. D6/574
6,571,967 B2 * 6/2003 Belokin et al. 211/71.01
D508,228 S * 8/2005 Brown D12/407

* cited by examiner

Primary Examiner—Mimosa De

Assistant Examiner—Ricky Pham

(74) *Attorney, Agent, or Firm*—Jack A. Kanz

(57) **CLAIM**

The ornamental design for a display tray, as shown and described.

DESCRIPTION

FIG. 1 is a top rear perspective view of a display tray showing our new design;

FIG. 2 is a rear elevational view thereof;

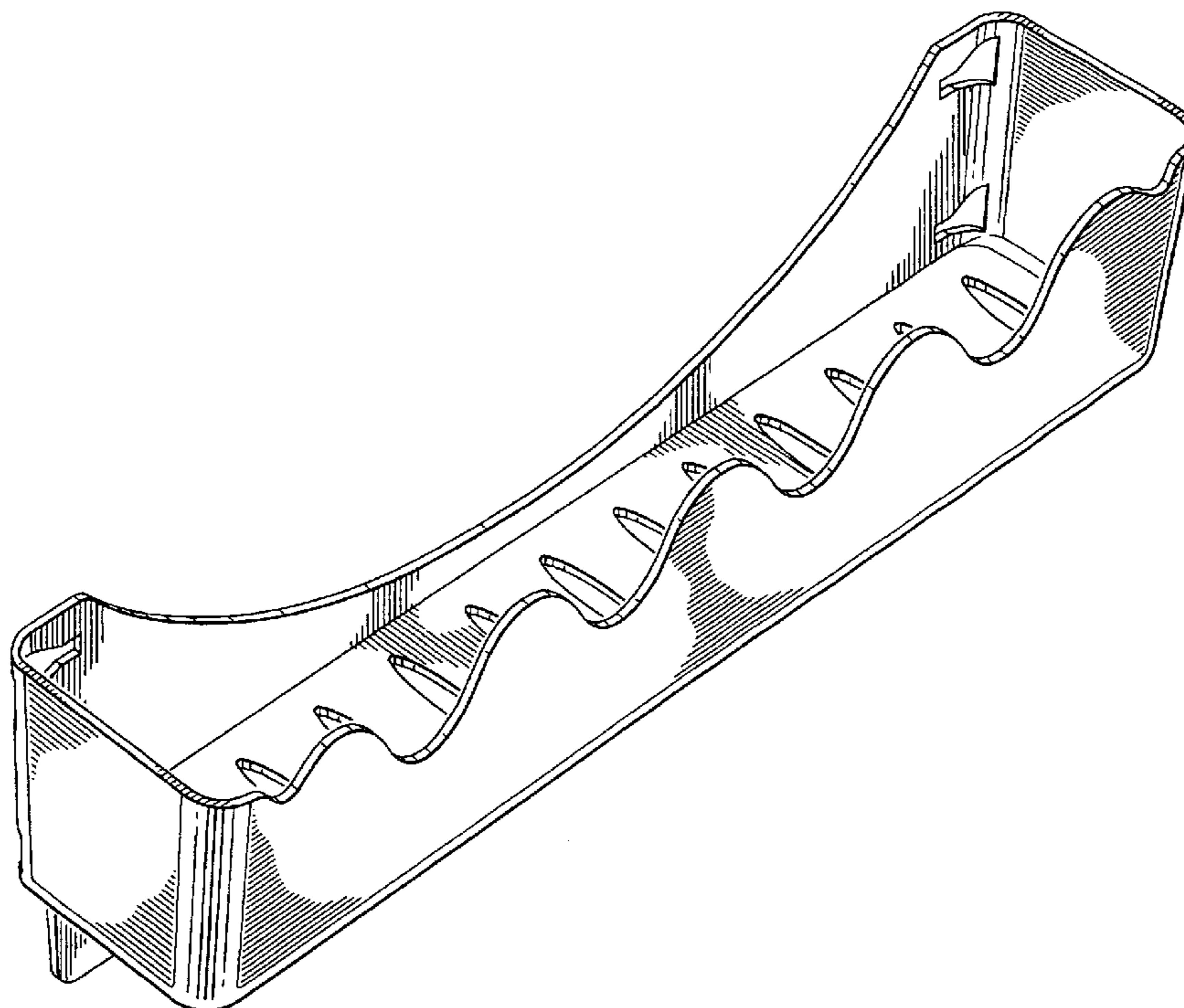
FIG. 3 is a side elevational view of the left-hand side thereof, the right-hand side view being a mirror image of FIG. 3;

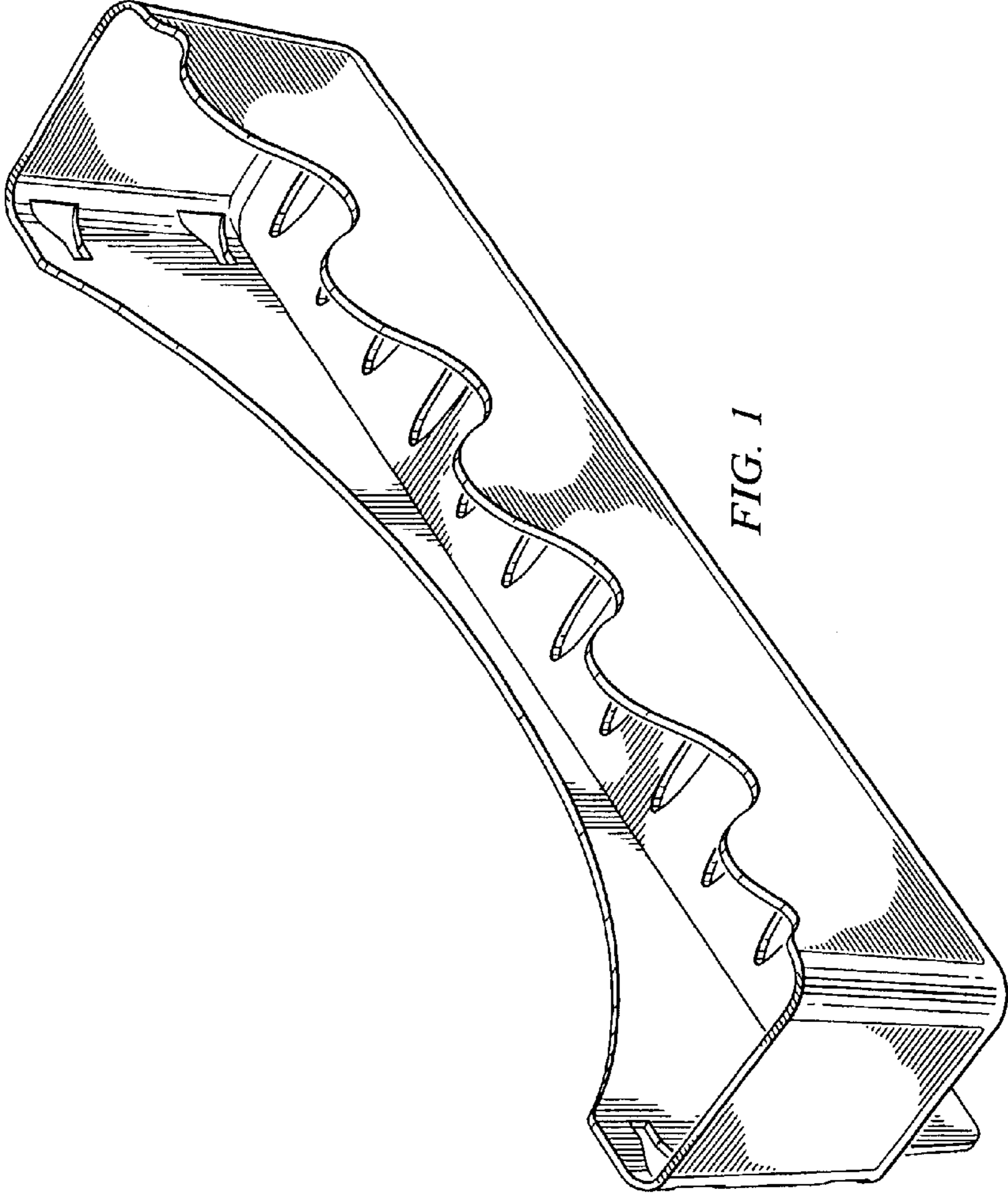
FIG. 4 is a front elevational view thereof;

FIG. 5 is a top plan view thereof; and,

FIG. 6 is a bottom plan view of our new design for a display tray.

1 Claim, 3 Drawing Sheets





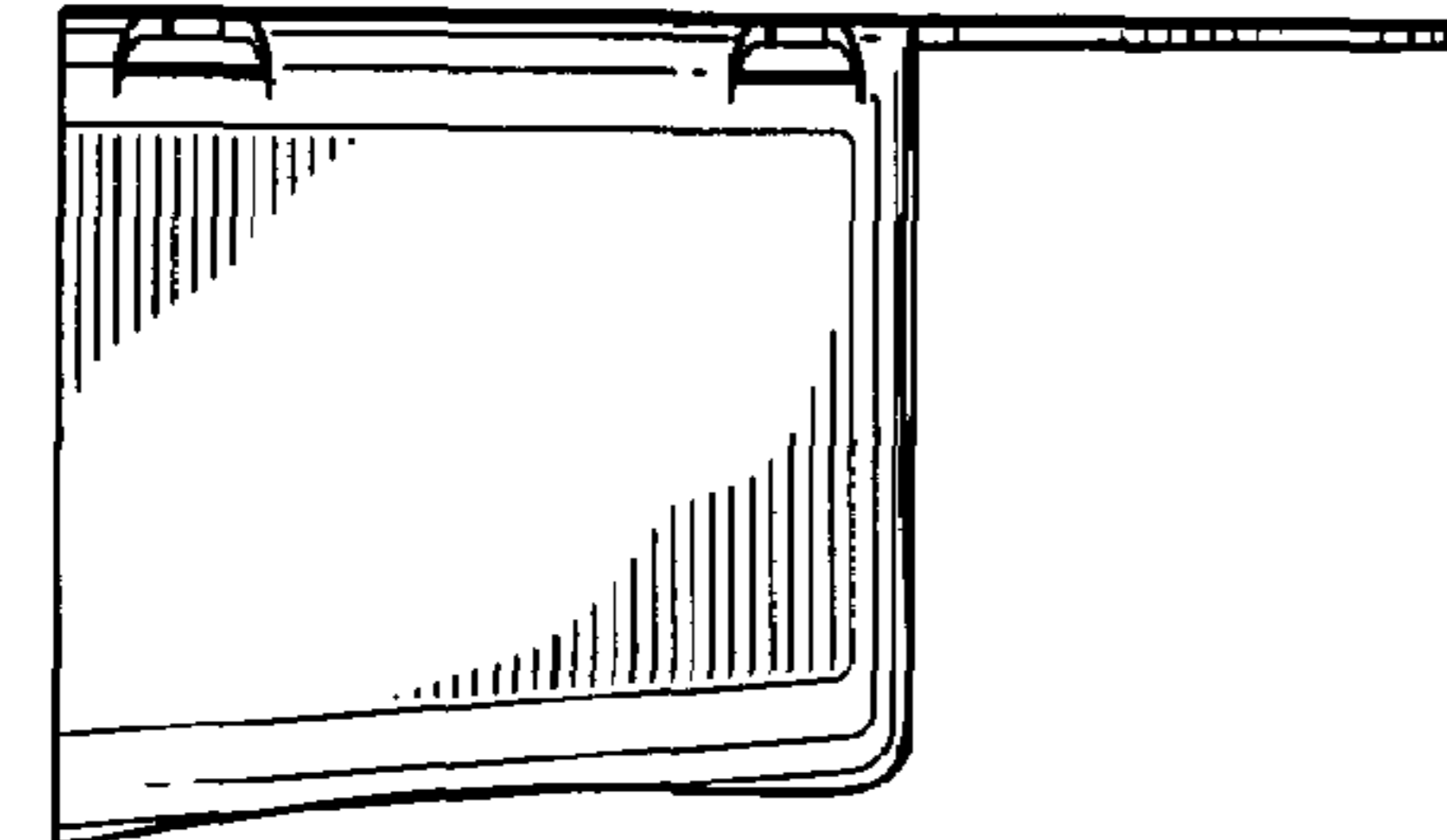


FIG. 3

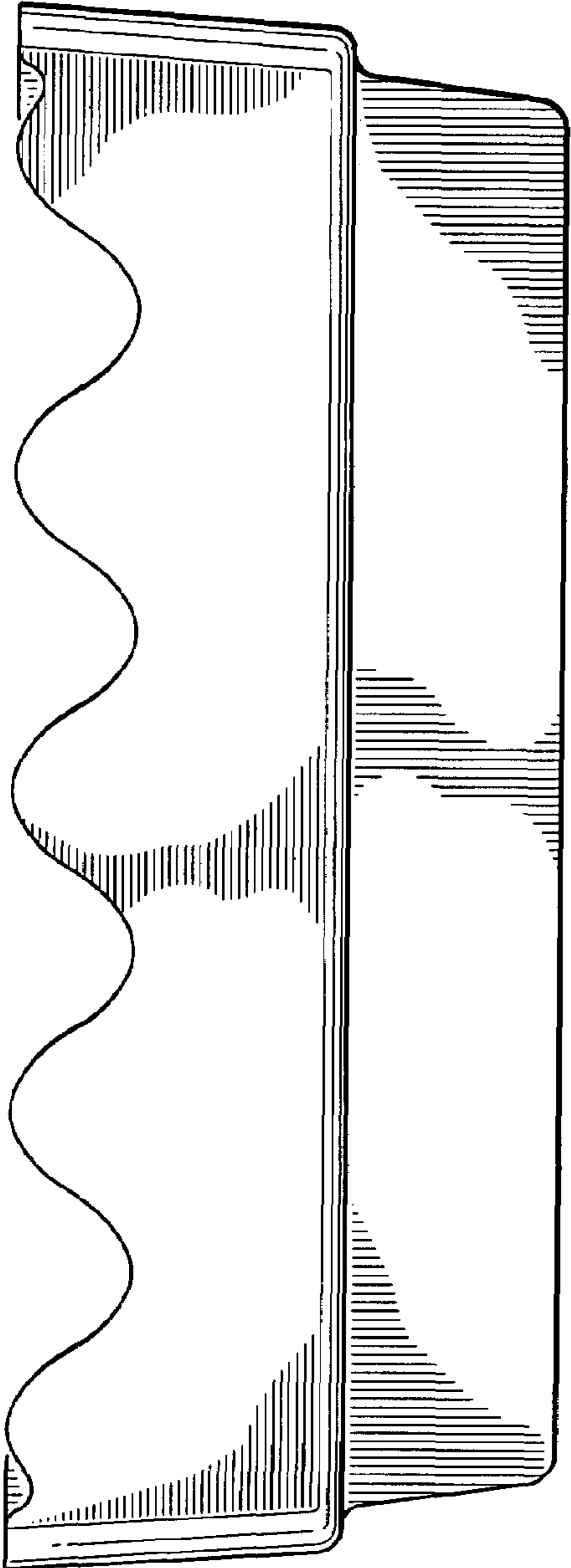


FIG. 2

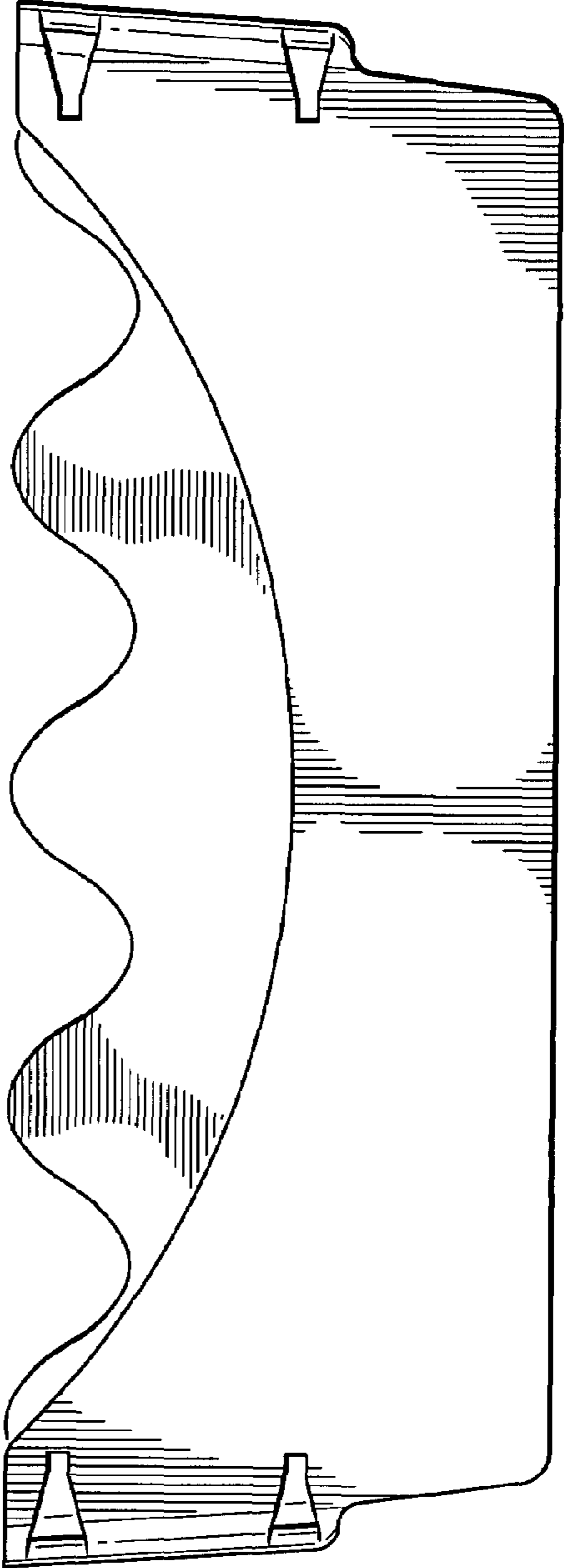


FIG. 4

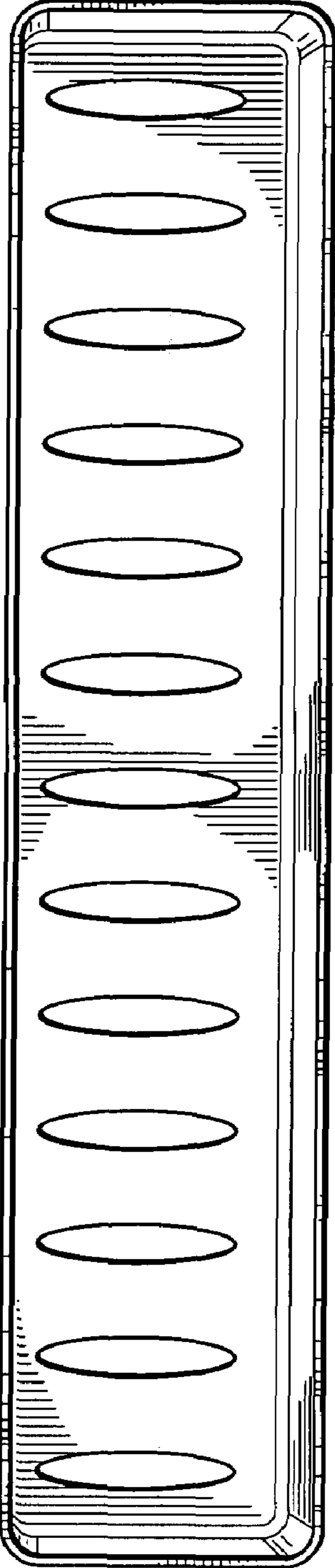


FIG. 5

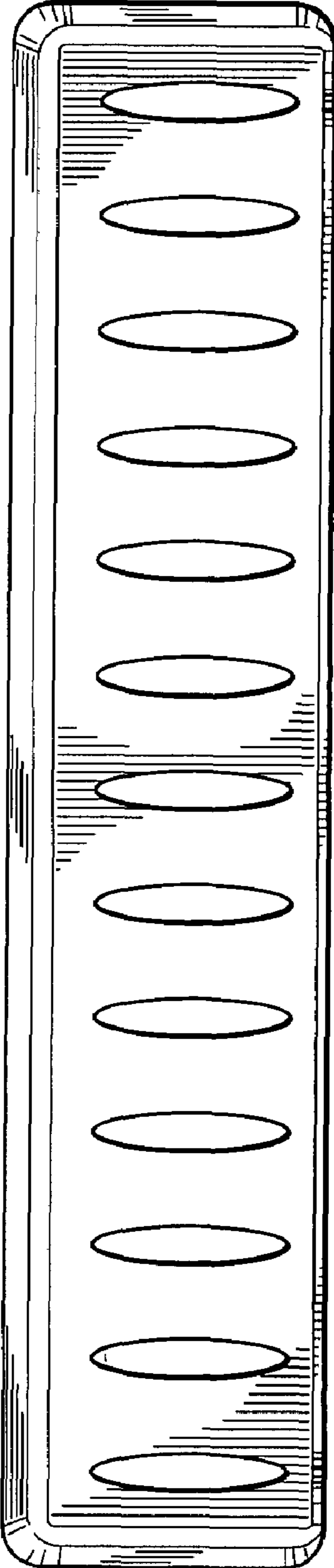


FIG. 6