



US00D574652S

(12) **United States Design Patent**
Zhang

(10) **Patent No.:** **US D574,652 S**

(45) **Date of Patent:** **** Aug. 12, 2008**

(54) **TOWEL BAR**

(75) Inventor: **Zhukai Zhang**, Chicago, IL (US)

(73) Assignee: **Liberty Hardware Mfg. Corp.**,
Winston-Salem, NC (US)

(**) Term: **14 Years**

(21) Appl. No.: **29/286,538**

(22) Filed: **May 10, 2007**

(51) **LOC (8) Cl.** **06-04**

(52) **U.S. Cl.** **D6/549**

(58) **Field of Classification Search** D6/546-550,
D6/518-519, 522-524; D8/300, 303, 315-321;
108/28-29; 211/13.1, 16, 60.1, 86.01, 87.01,
211/88.01, 88.04, 100, 105.1-105.2, 123,
211/181.1, 182; 248/175, 176.1, 251, 302;
16/110.1, 412, 415; 242/570, 590, 595-598
See application file for complete search history.

(56) **References Cited**

U.S. PATENT DOCUMENTS

D516,850 S * 3/2006 Shieh D6/549
D540,086 S * 4/2007 Kirar D6/549

D540,596 S * 4/2007 Duggan D6/549
D540,599 S * 4/2007 Krumpe et al. D6/549
D563,707 S * 3/2008 Lee D6/549

* cited by examiner

Primary Examiner—Brian N Vinson

(74) *Attorney, Agent, or Firm*—Edgar A. Zarins; Lloyd D. Doigan

(57) **CLAIM**

The ornamental design for a towel bar, as shown and described.

DESCRIPTION

FIG. 1 is a perspective view of a towel bar showing my new design;

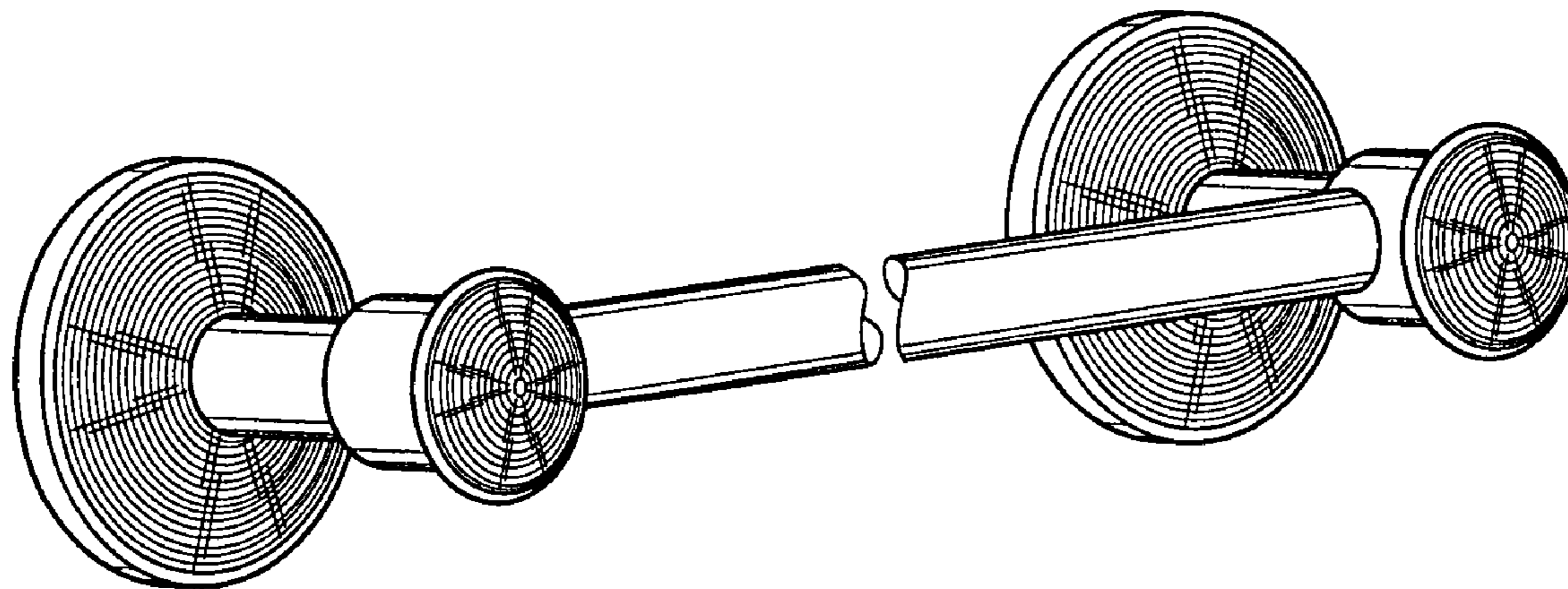
FIG. 2 is a front elevational view thereof;

FIG. 3 is a top plan view thereof; and,

FIG. 4 is a first end view thereof, the opposite end being a mirror image of the end shown.

The towel bar portion is shown broken-away in the views to indicate indeterminate length.

1 Claim, 1 Drawing Sheet



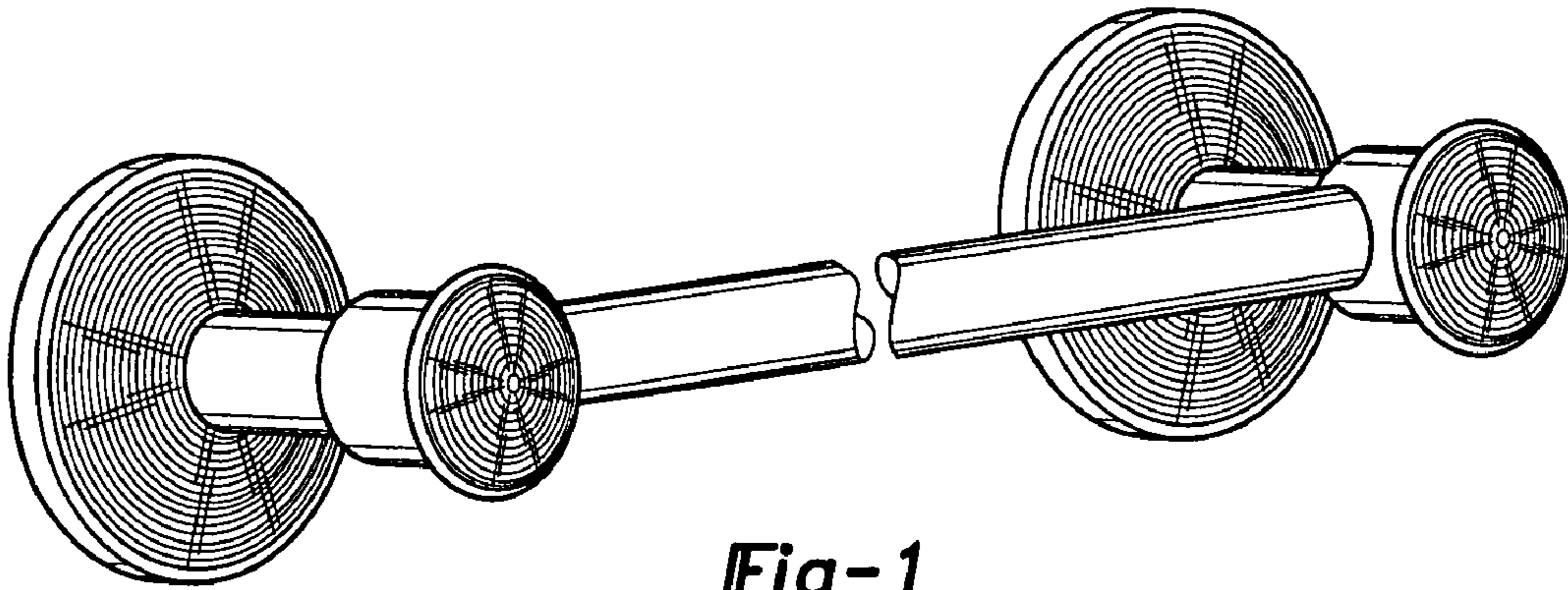


Fig-1

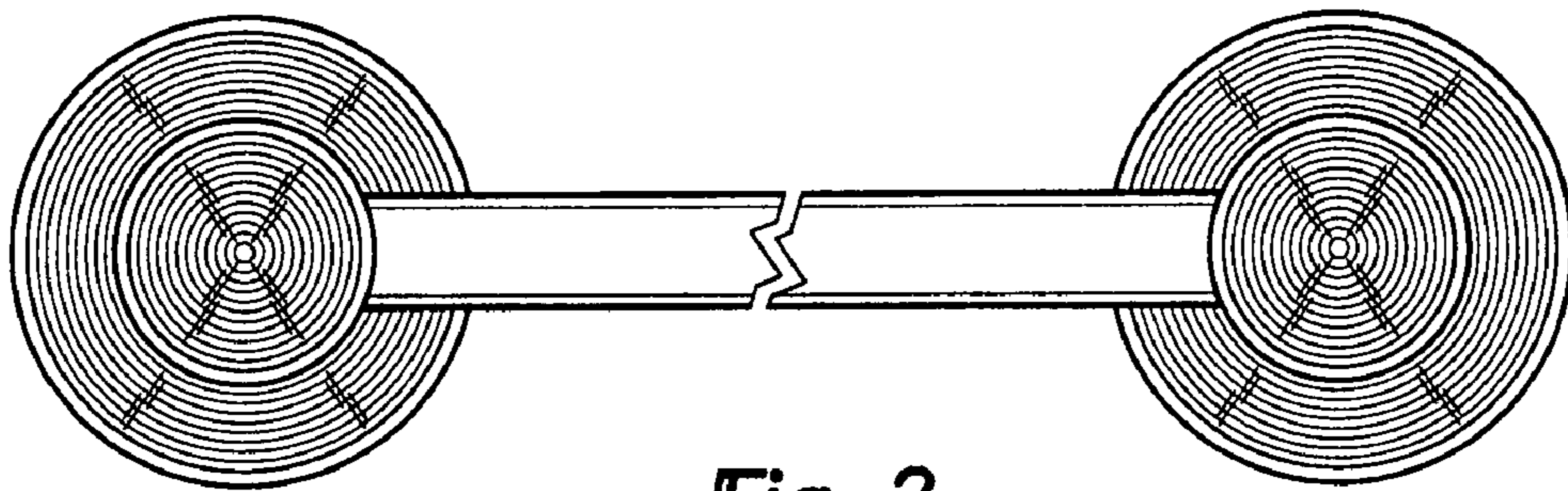


Fig-2

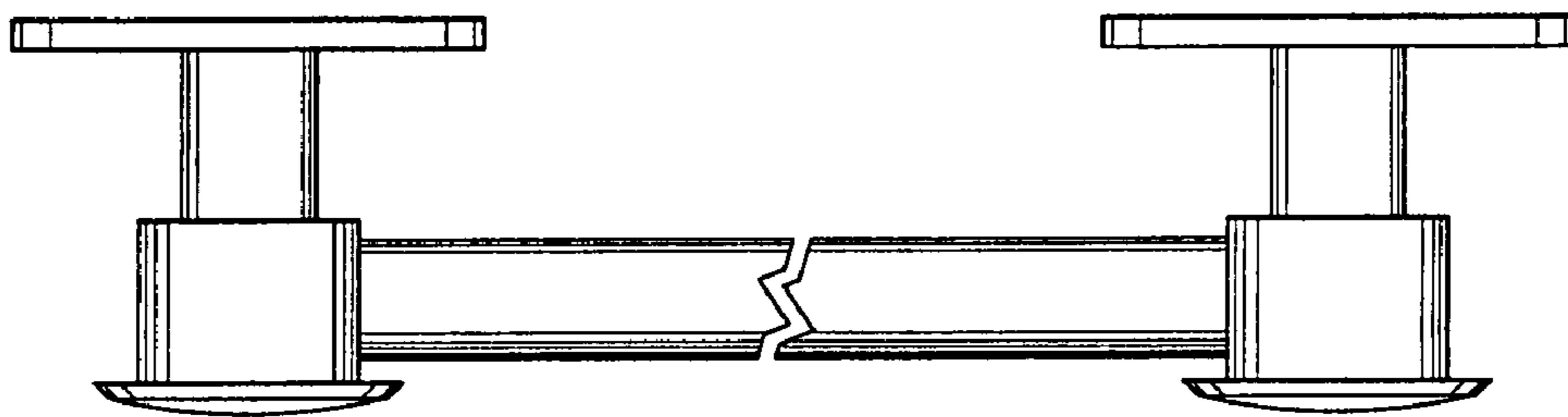


Fig-3

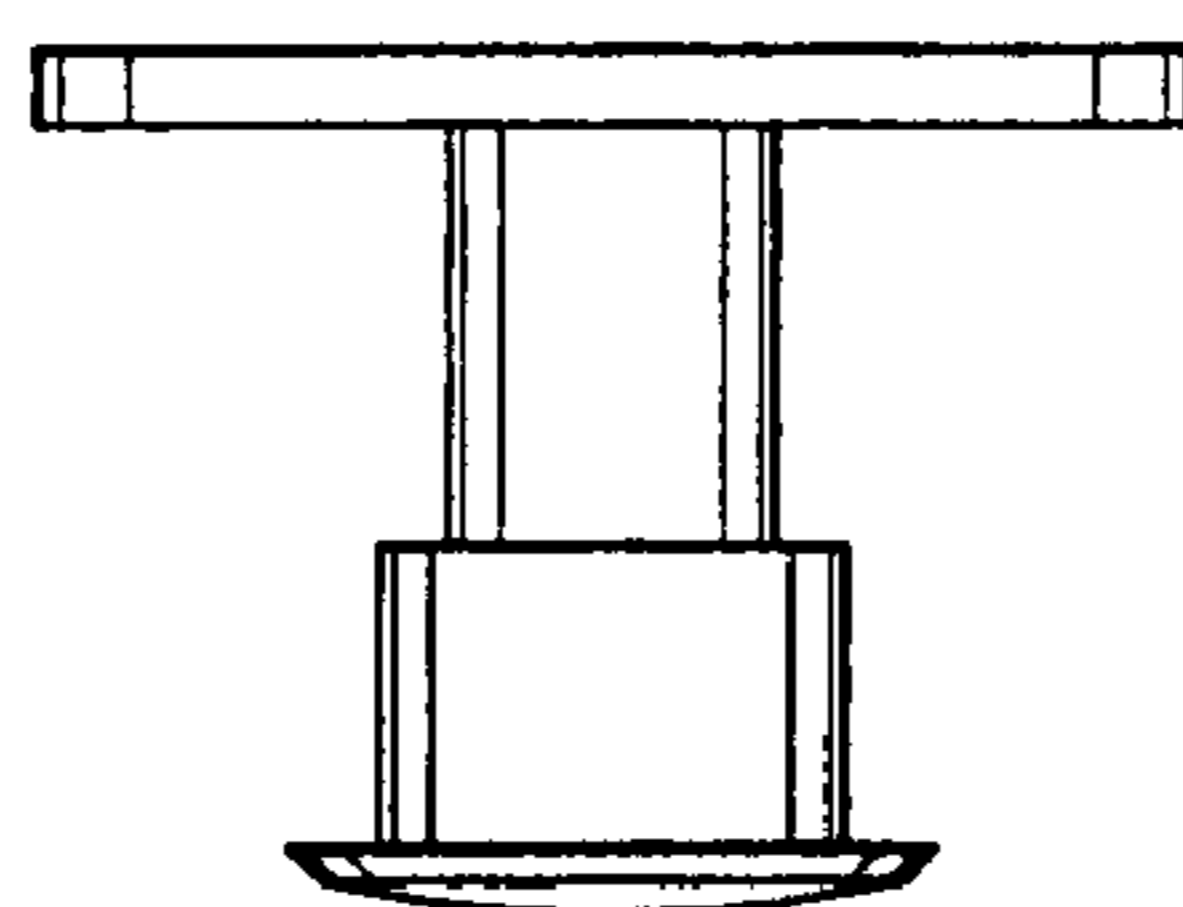


Fig-4