



US00D574649S

(12) **United States Design Patent**
Snider

(10) **Patent No.:** **US D574,649 S**
(45) **Date of Patent:** **** Aug. 12, 2008**

(54) **POLE MOUNTABLE SHOWER SHELF WITH MESH SIDEWALLS AND CURVED FACE CLOTH BAR**

D429,934 S * 8/2000 Hofman D6/525
D443,162 S * 6/2001 Winter D6/570
D475,561 S * 6/2003 Suero, Jr. D6/525
6,688,238 B1 * 2/2004 Alexiou 108/42
D543,747 S * 6/2007 Harwanko D6/525

(75) Inventor: **Martin Snider**, New City, NY (US)

* cited by examiner

(73) Assignee: **MSA Products, Inc.**, Nyack, NY (US)

Primary Examiner—Brian N Vinson

(**) Term: **14 Years**

(74) *Attorney, Agent, or Firm*—Gerald E. Hespos; Anthony J. Casella

(21) Appl. No.: **29/303,632**

(22) Filed: **Feb. 13, 2008**

(57) **CLAIM**

(51) **LOC (8) Cl.** **23-02**

The ornamental design for a pole mountable shower shelf with mesh sidewalls and curved face cloth bar, as shown and described.

(52) **U.S. Cl.** **D6/525**

(58) **Field of Classification Search** D6/524,
D6/525, 329, 462, 468, 527, 569–570; 108/42,
108/59, 106, 180, 144.11, 147.11, 147.12,
108/147.15; 211/13.1, 85.12, 49.1, 71.01,
211/86.01, 87.01, 90.01, 90.03, 90.04, 126.14,
211/126.1, 112, 110, 106, 105.1, 88.01, 134,
211/153, 175, 207, 181.1, 182; 248/130,
248/142, 907

DESCRIPTION

See application file for complete search history.

FIG. 1 is a perspective view of a pole mountable shower shelf with mesh sidewalls and curved face cloth bar in accordance with my design, and with the curved sidewall defining the front of the shelf and the right-angle corner defining the rear of the shelf;

(56) **References Cited**

U.S. PATENT DOCUMENTS

D274,201 S * 6/1984 Aaron D6/525
4,860,909 A * 8/1989 Leumi 248/907
D351,751 S * 10/1994 Brightbill et al. D6/525
D388,642 S * 1/1998 Winter D6/525
D417,991 S * 12/1999 Hofman et al. D6/525
D419,020 S * 1/2000 Emery et al. D6/562
D421,692 S * 3/2000 Wojtowicz et al. D6/525
D421,867 S * 3/2000 Carville et al. D6/562

FIG. 2 is an elevational view of the right rear wall of the shelf shown in view FIG. 1, with the left rear wall being a mirror image thereof;

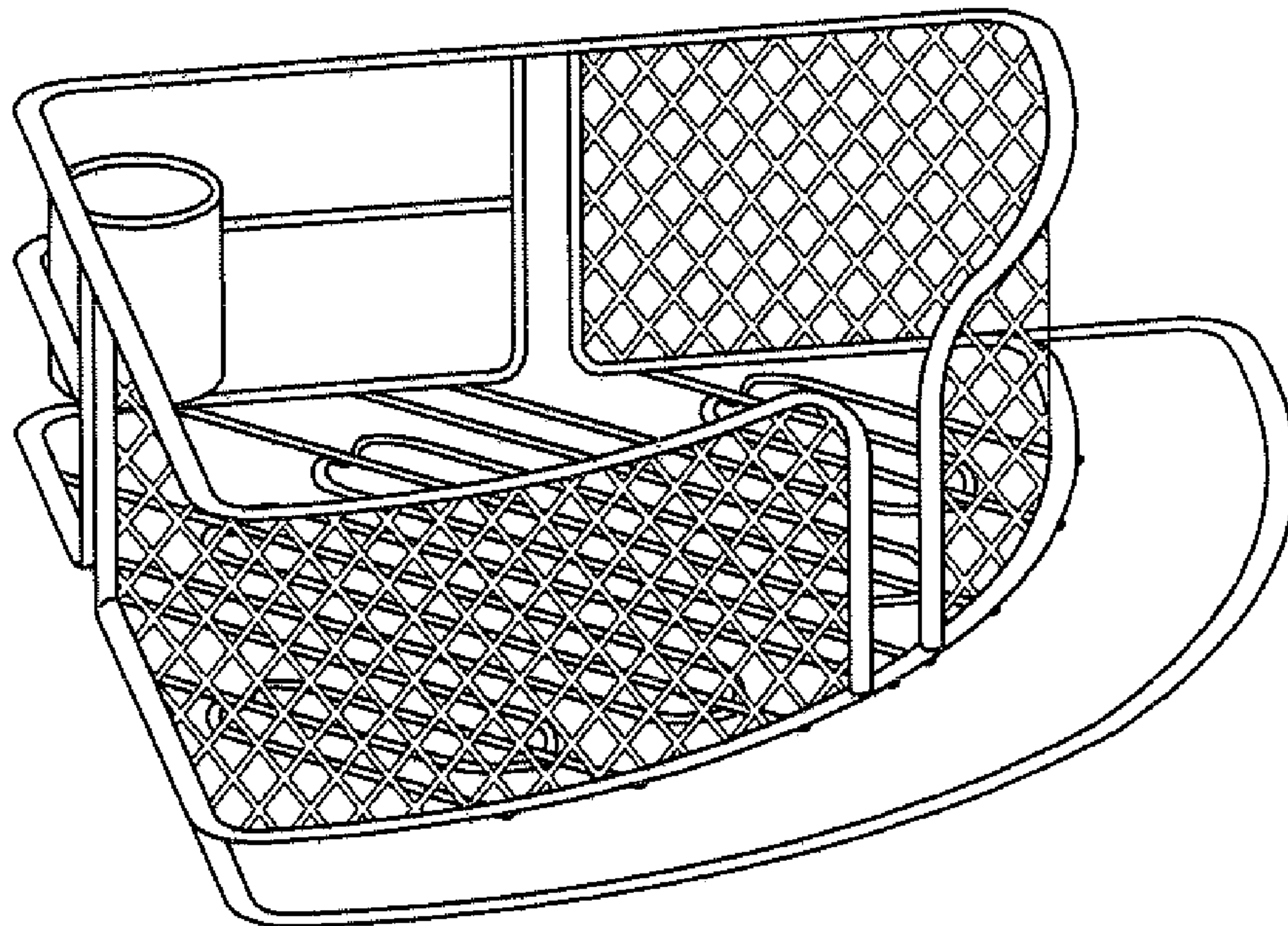
FIG. 3 is a front elevational view of the shelf shown in FIGS. 1 and 2;

FIG. 4 is a rear elevational view of the shelf shown in FIGS. 1–3;

FIG. 5 is a top plan view of the shelf shown in FIGS. 1–4; and,

FIG. 6 is a bottom plan view of the shelf shown in FIGS. 1–5.

1 Claim, 2 Drawing Sheets



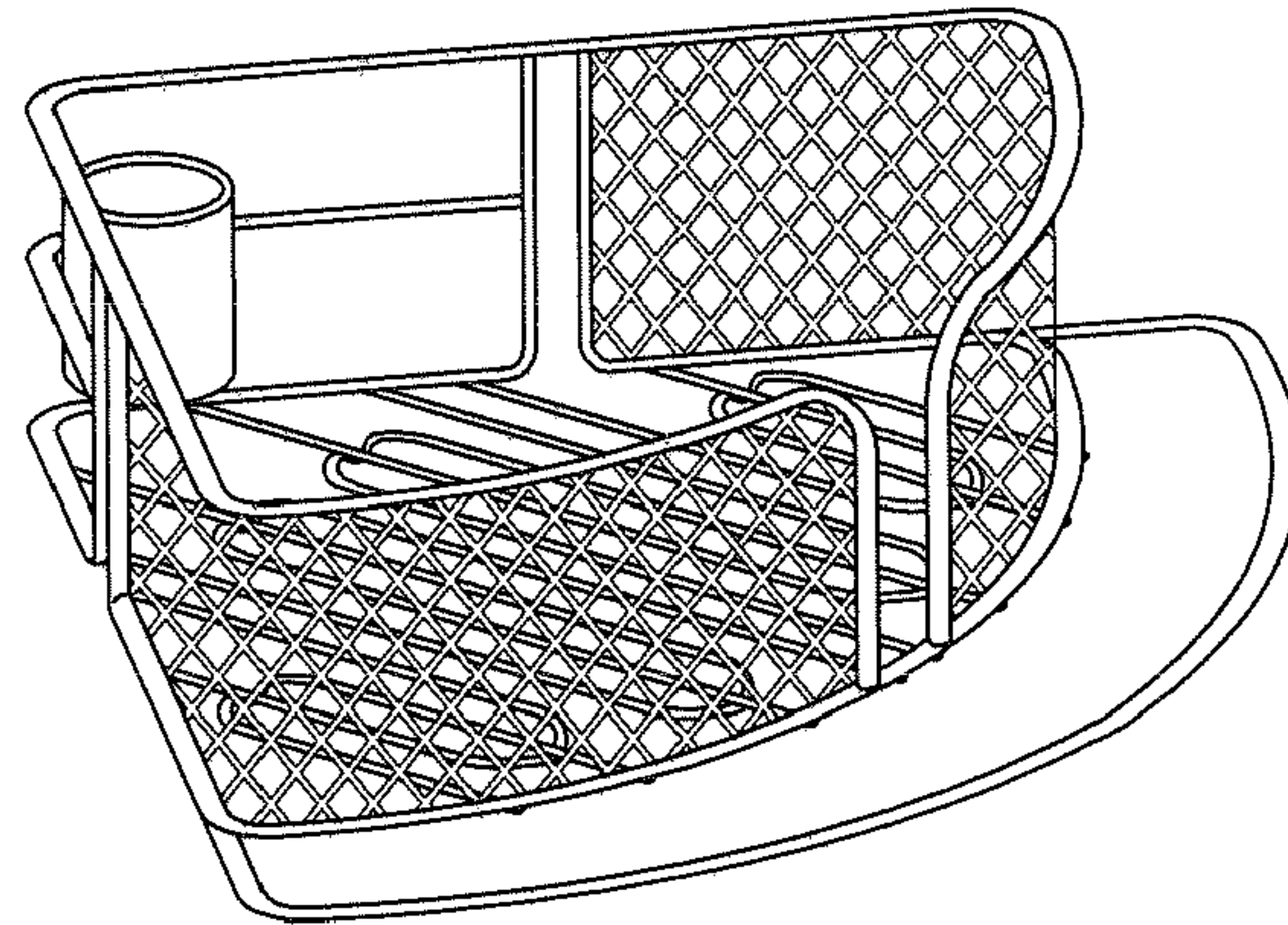


FIG. 1

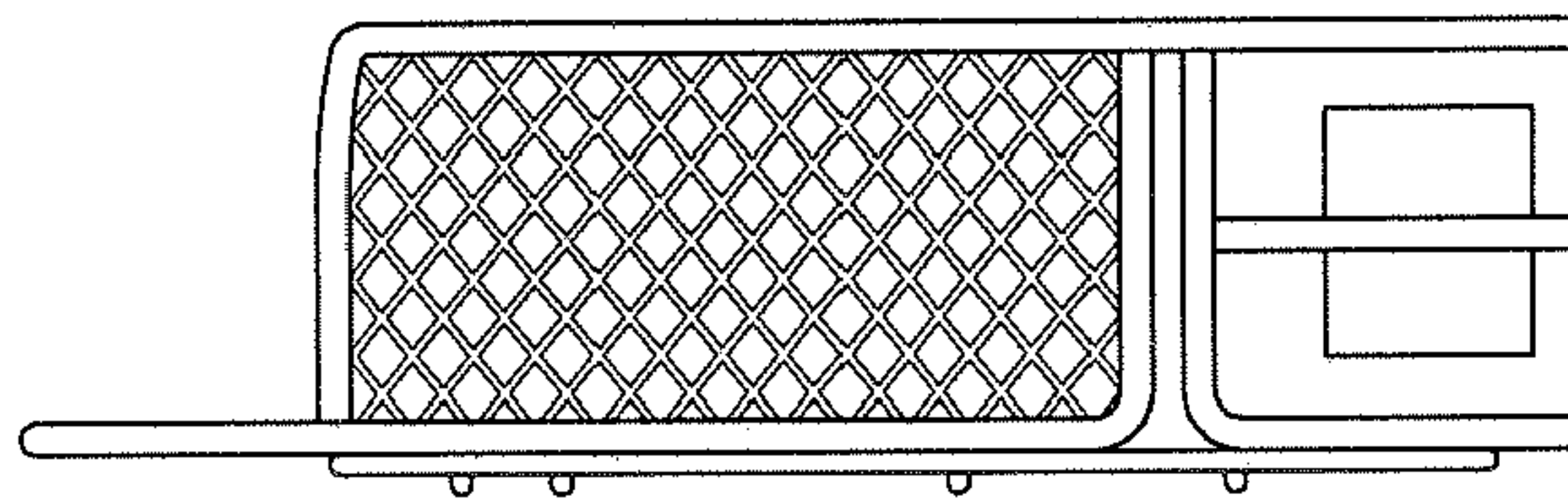


FIG. 2

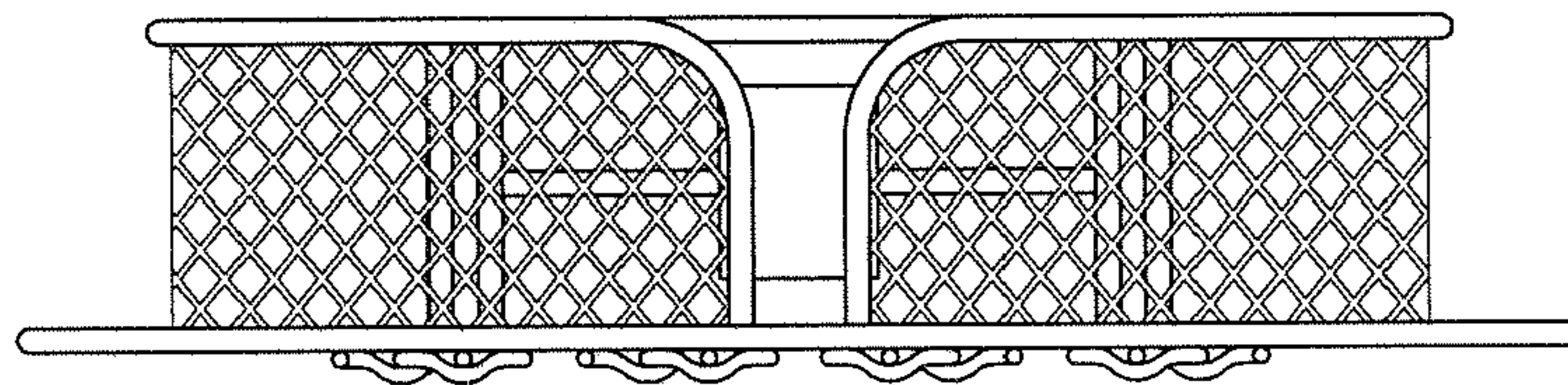


FIG. 3

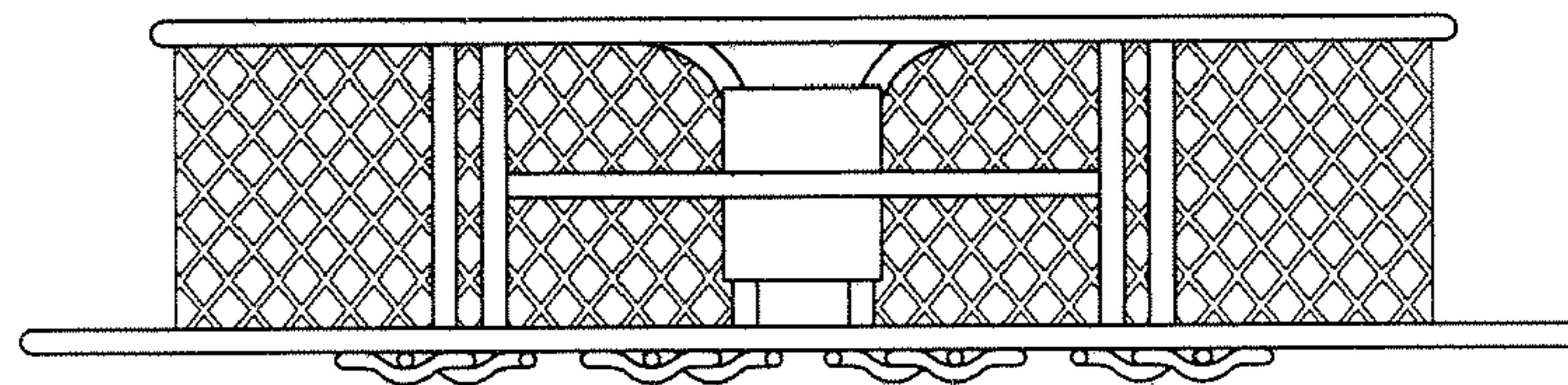


FIG. 4

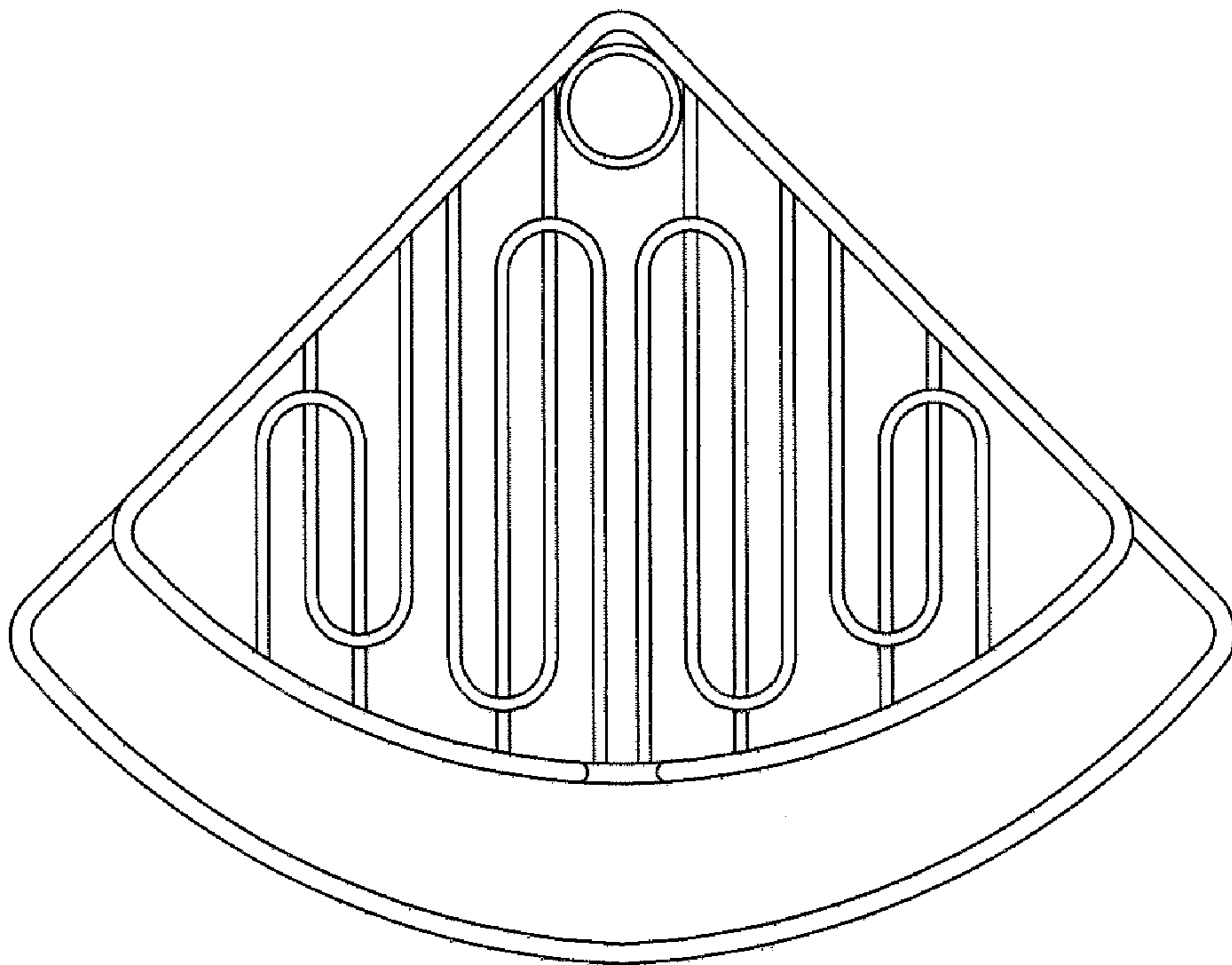


FIG. 5

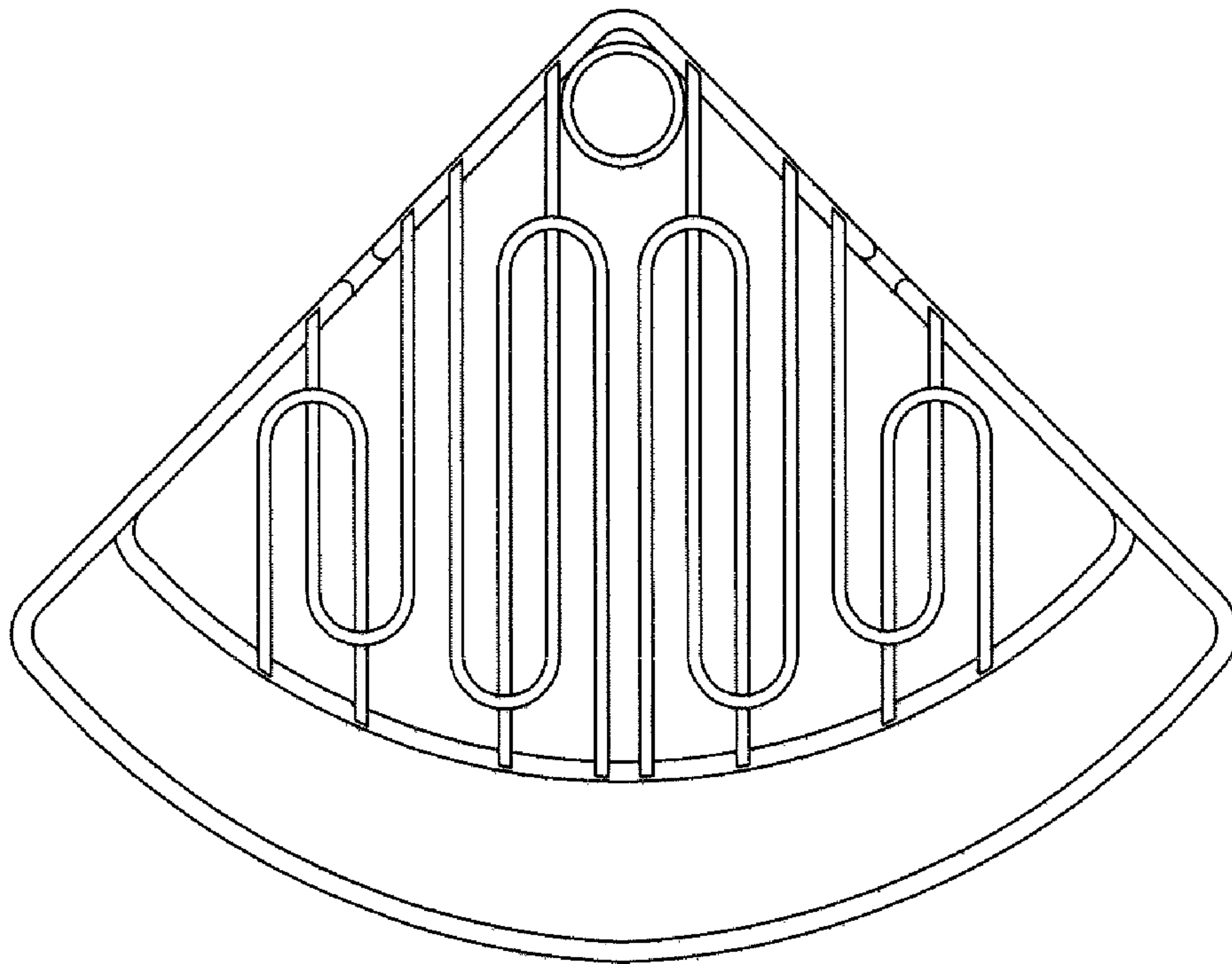


FIG. 6