

US00D574648S

(12) **United States Design Patent**
Guo

(10) **Patent No.:** **US D574,648 S**

(45) **Date of Patent:** **** Aug. 12, 2008**

(54) **BATH ACCESSORY BASE**

(75) Inventor: **Kaku Guo**, Shenzhen (CN)

(73) Assignee: **Globe Union Industrial Corp. (GUIC)**,
Taichung (TW)

(**) Term: **14 Years**

(21) Appl. No.: **29/255,015**

(22) Filed: **Mar. 3, 2006**

(51) **LOC (8) Cl.** **23-02**

(52) **U.S. Cl.** **D6/524; D6/550**

(58) **Field of Classification Search** D6/518-524,
D6/548-550; D8/300, 303, 315-321, 349,
D8/354, 363, 373, 380; 108/28-29; 211/13.1,
211/16, 60.1, 100, 86.01, 87.01, 88.01, 88.04,
211/105.1-105.2, 123, 182, 181.1; 248/176,
248/176.1, 251, 302, 309.1; 16/110.1, 412,
16/415; 242/570, 590, 595-598

See application file for complete search history.

(56) **References Cited**

U.S. PATENT DOCUMENTS

D337,230 S *	7/1993	Wang	D6/550
D390,397 S *	2/1998	Chen	D6/550
D424,354 S *	5/2000	Duggan	D6/550
D431,948 S *	10/2000	Chen	D6/524
D497,751 S *	11/2004	Roberts et al.	D6/524
D498,098 S *	11/2004	Chen	D6/524
D499,290 S *	12/2004	Lai	D6/524
D544,266 S *	6/2007	Wu	D6/524

* cited by examiner

Primary Examiner—Brian N Vinson

(74) *Attorney, Agent, or Firm*—Ming Chow; Sinorica, LLC

(57) **CLAIM**

I claim the ornamental design for a bath accessory base, as shown and described.

DESCRIPTION

FIG. 1 is a front perspective view of a bath accessory base showing my new design;

FIG. 2 is a front elevational view thereof.

FIG. 3 is a left side elevational view thereof;

FIG. 4 is a right side elevational view thereof;

FIG. 5 is a top plan view thereof;

FIG. 6 is a bottom plan view thereof;

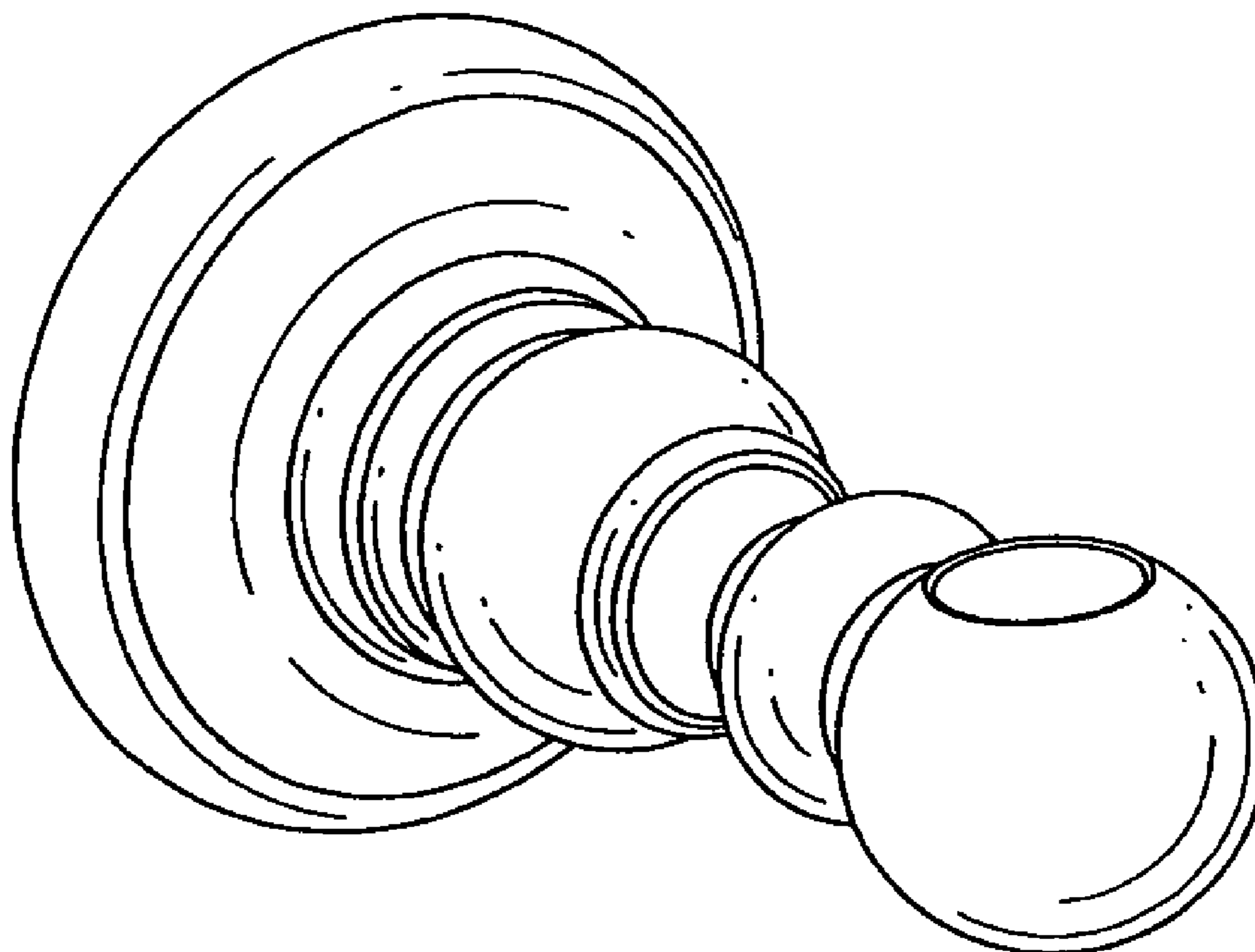
FIG. 7 is a front end view of the bath accessory base in accordance with my design, shown in its environment thereof;

FIG. 8 is a front end view of the bath accessory base in accordance with my design, shown in its environment thereof; and,

FIG. 9 is a front end view of the bath accessory base in accordance with my design, shown in its environment thereof.

The broken lines in the views show environmental features, which are for illustrative purposes only and form no part of the claimed design.

1 Claim, 7 Drawing Sheets



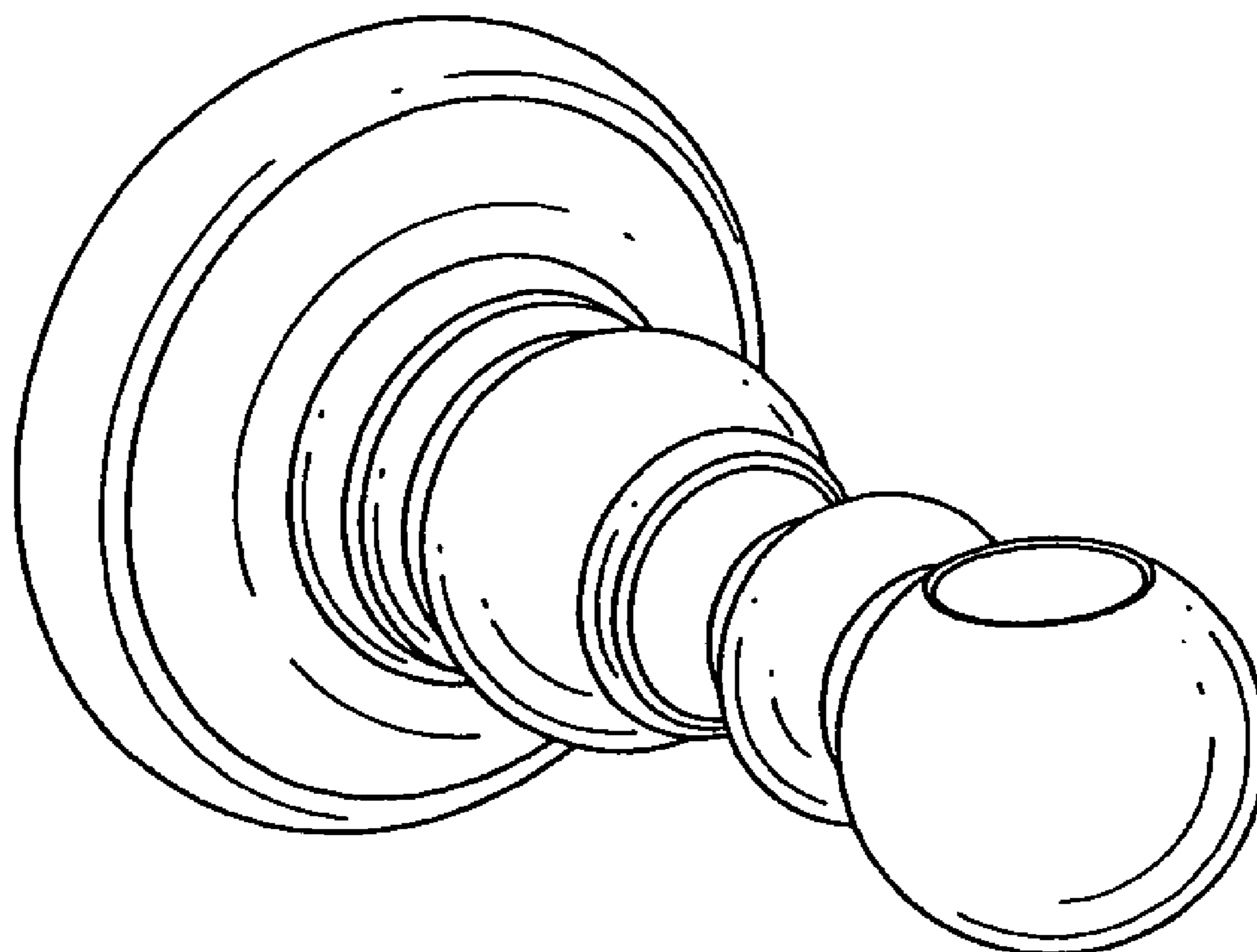


FIG. 1

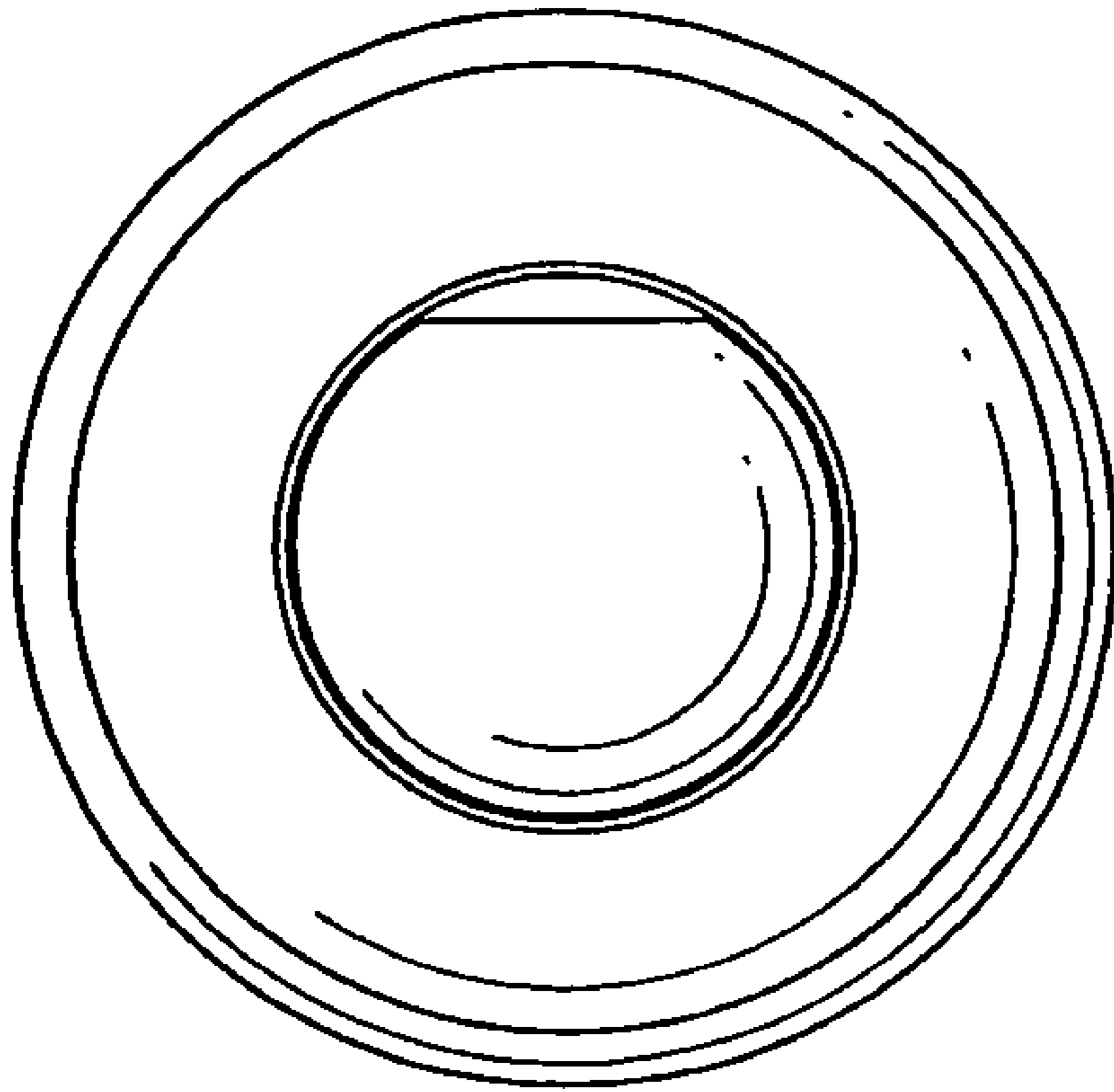


FIG. 2

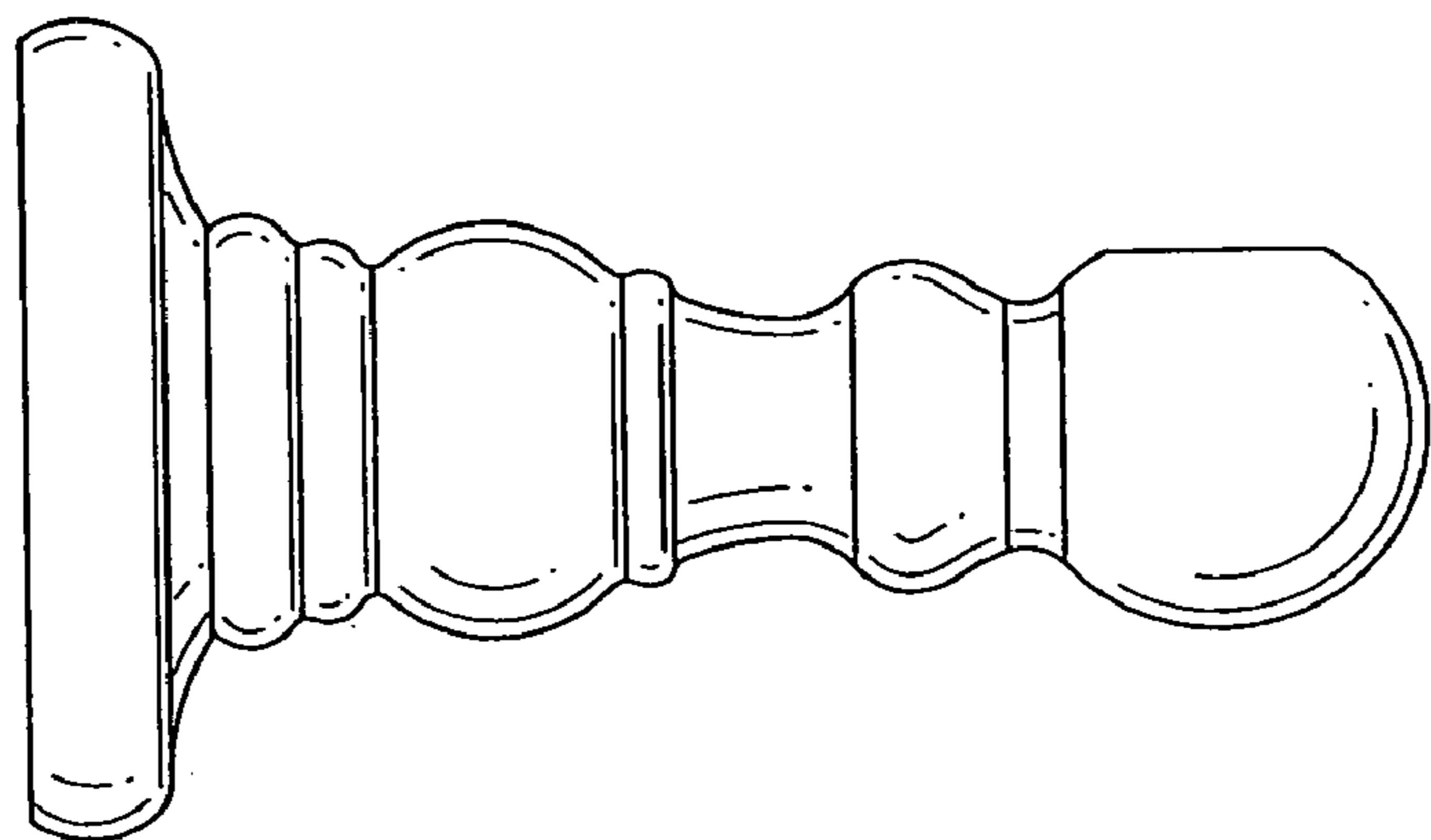


FIG. 3

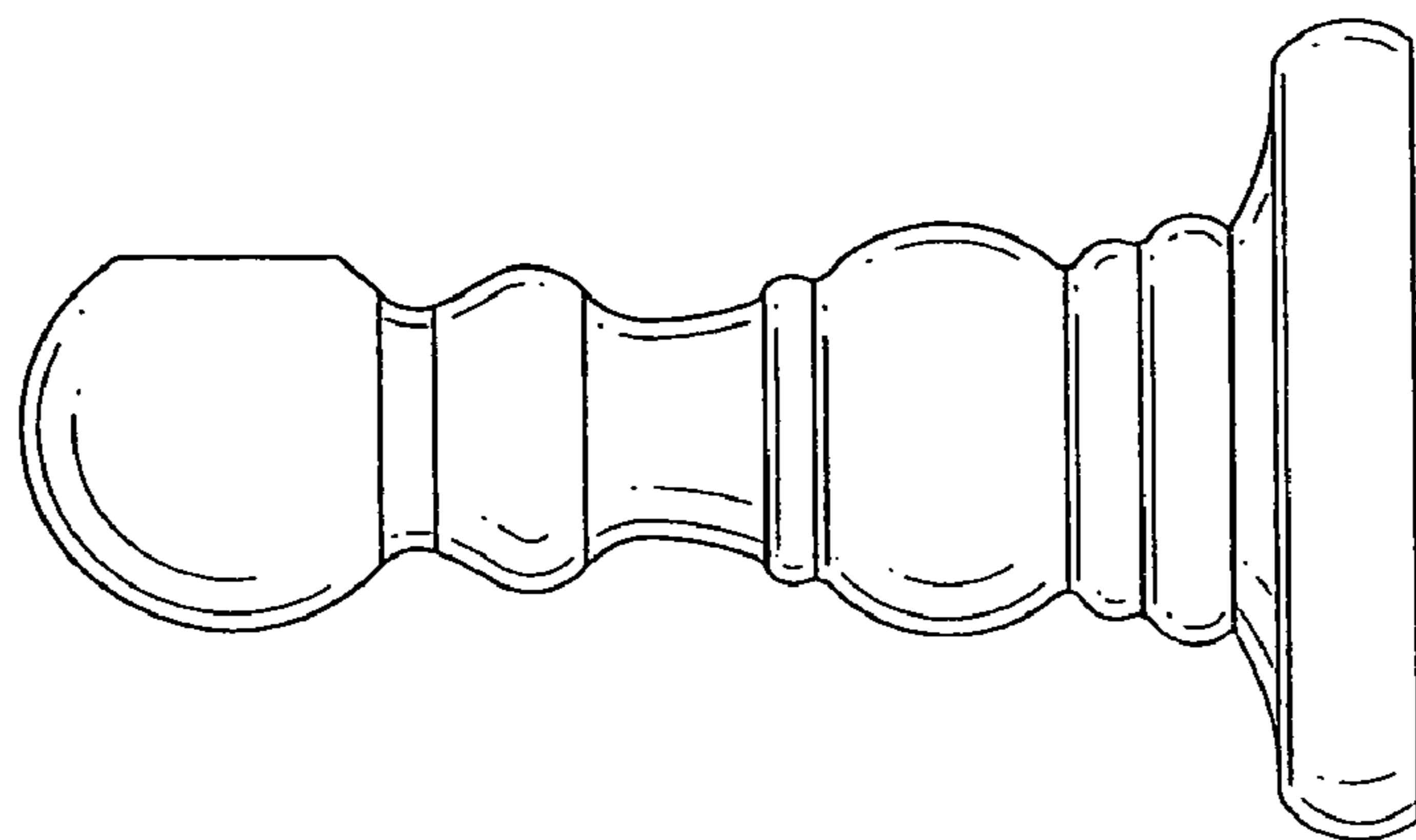


FIG. 4

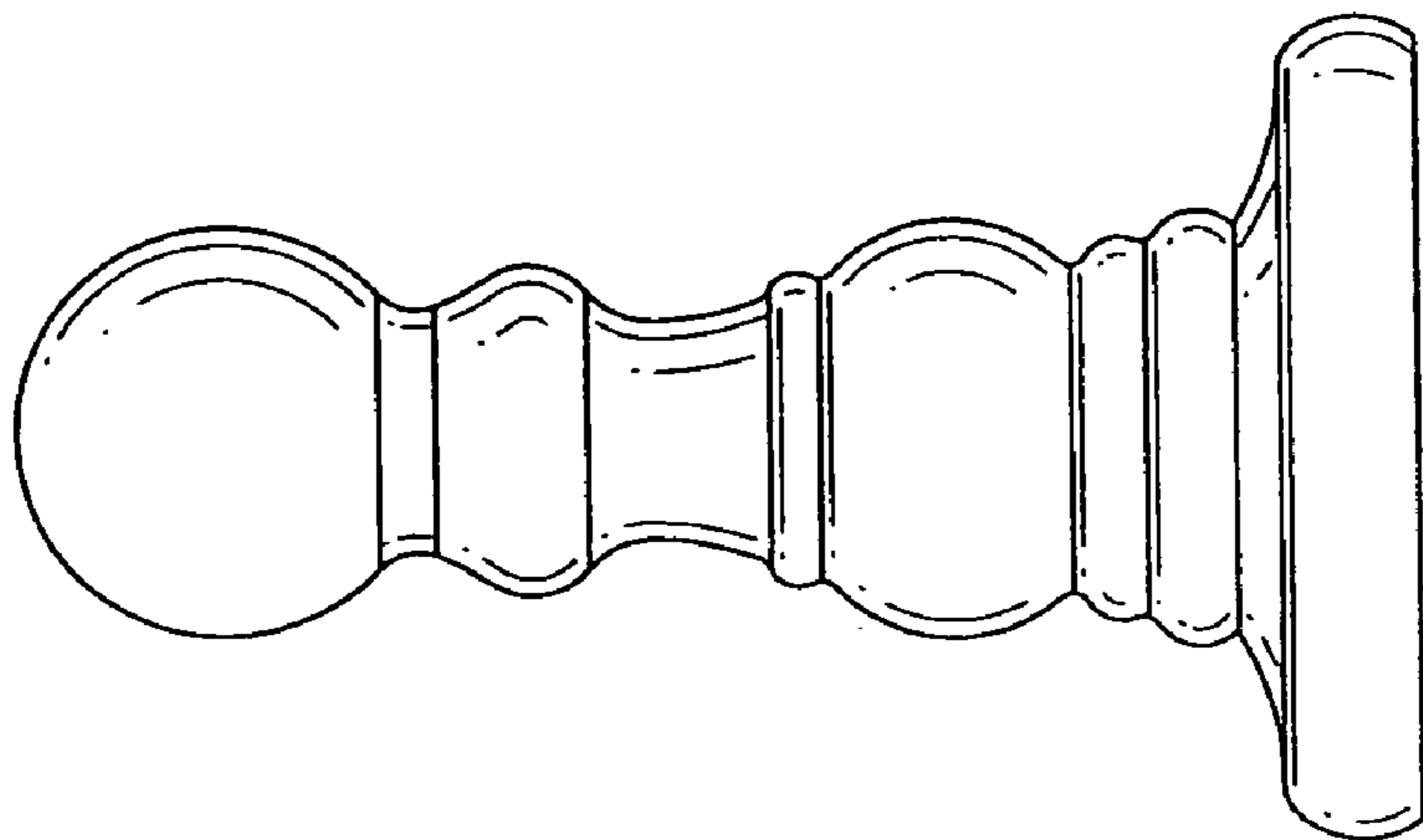


FIG. 6

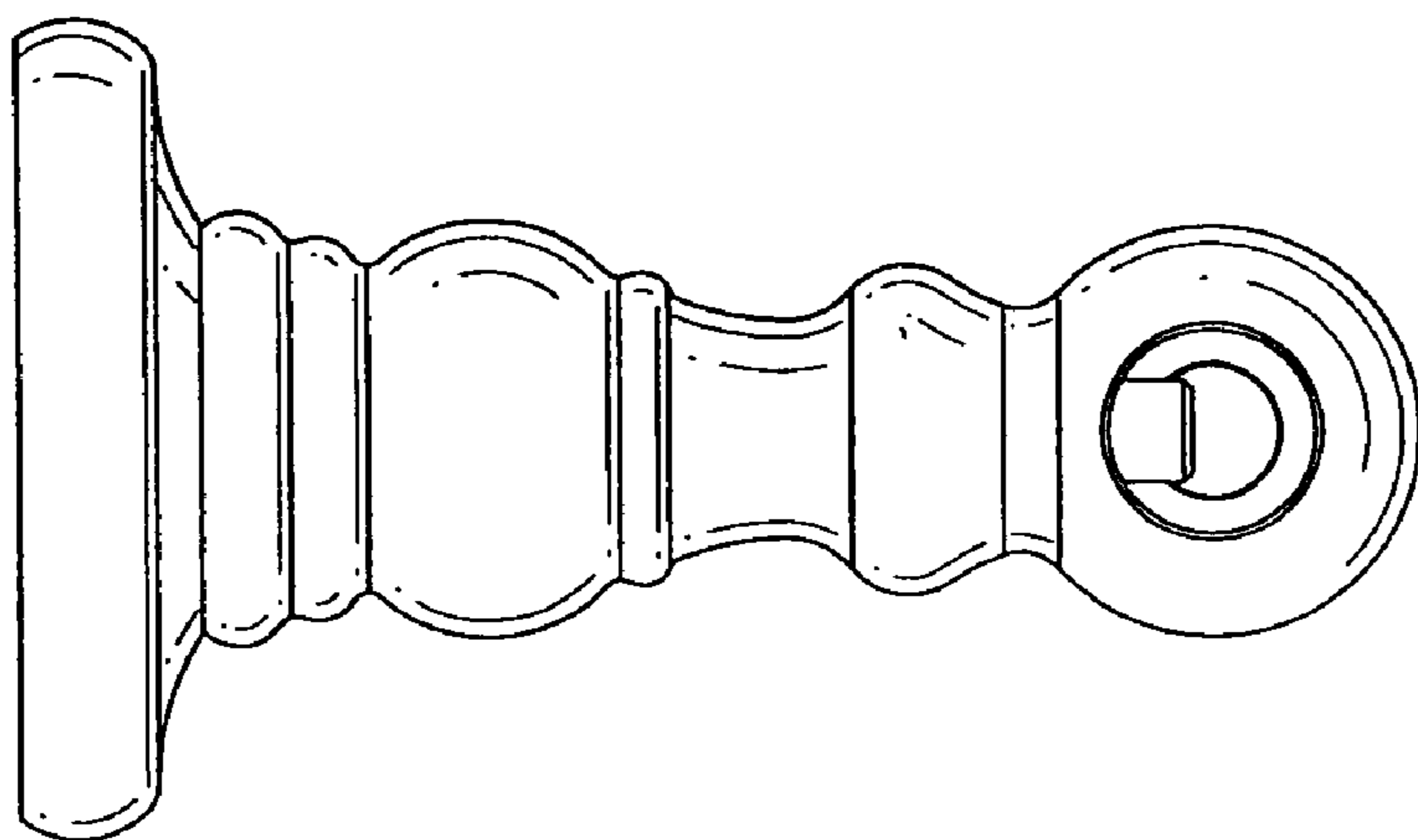


FIG. 5

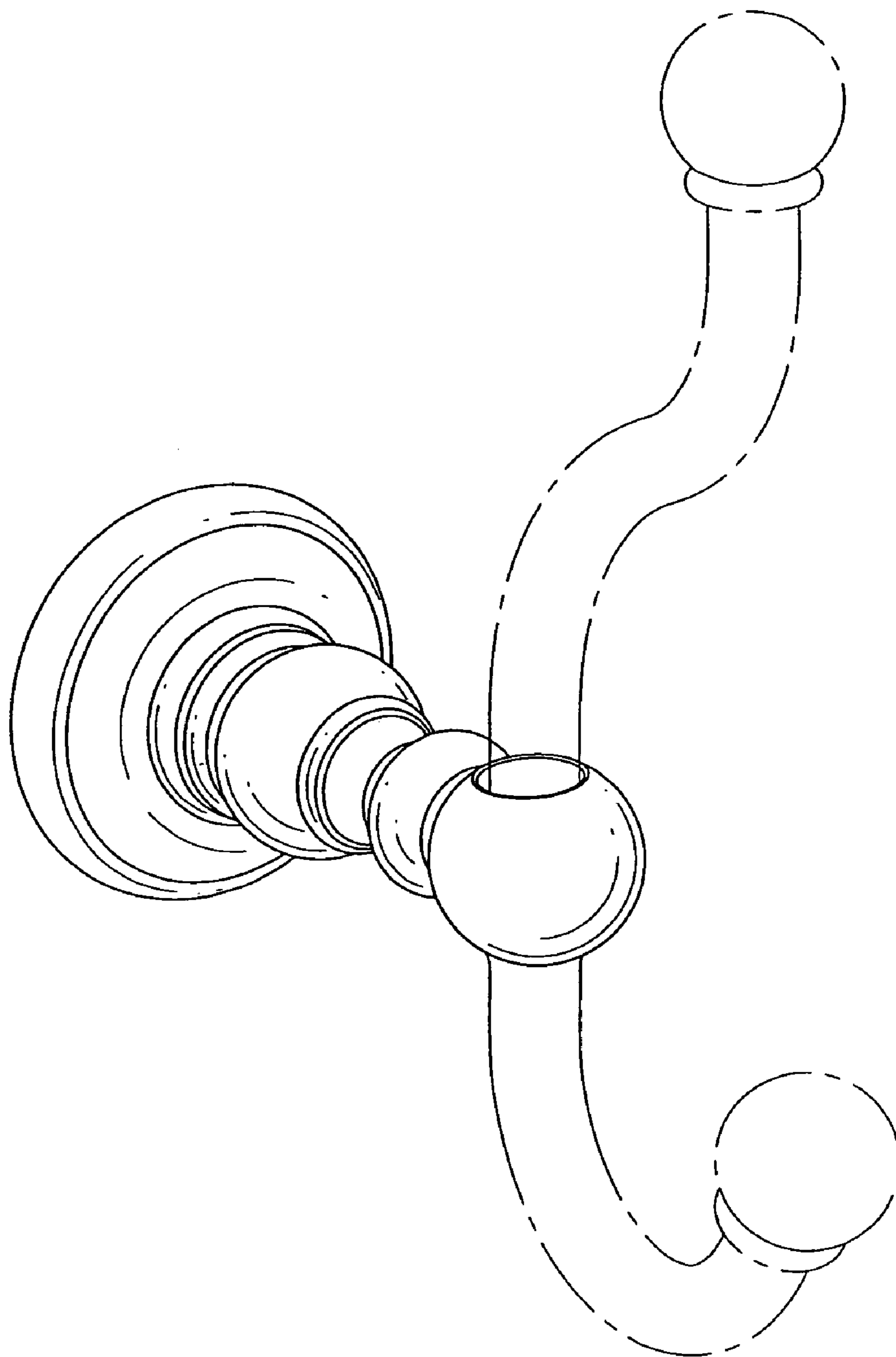


FIG. 7

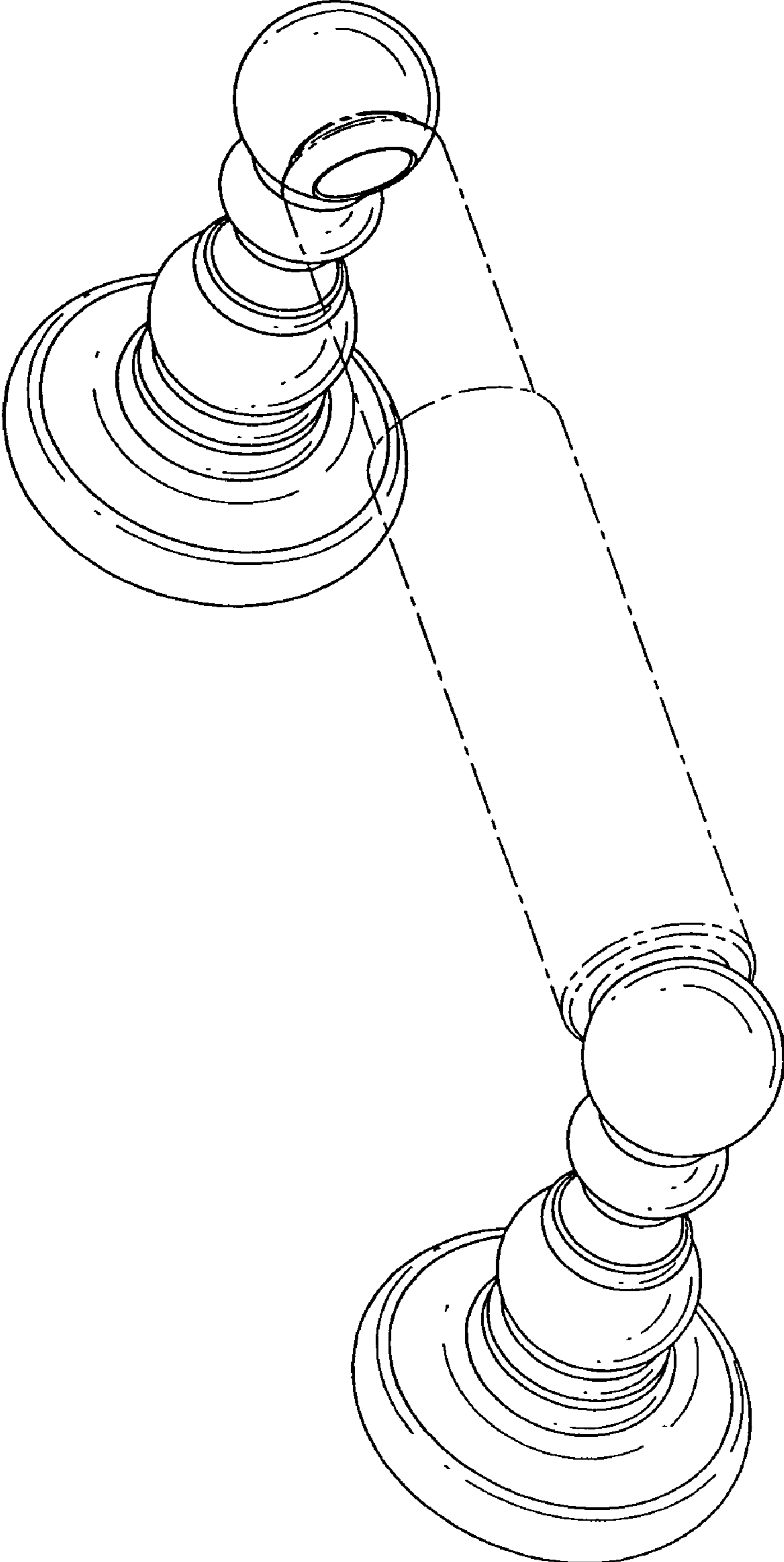


FIG. 8

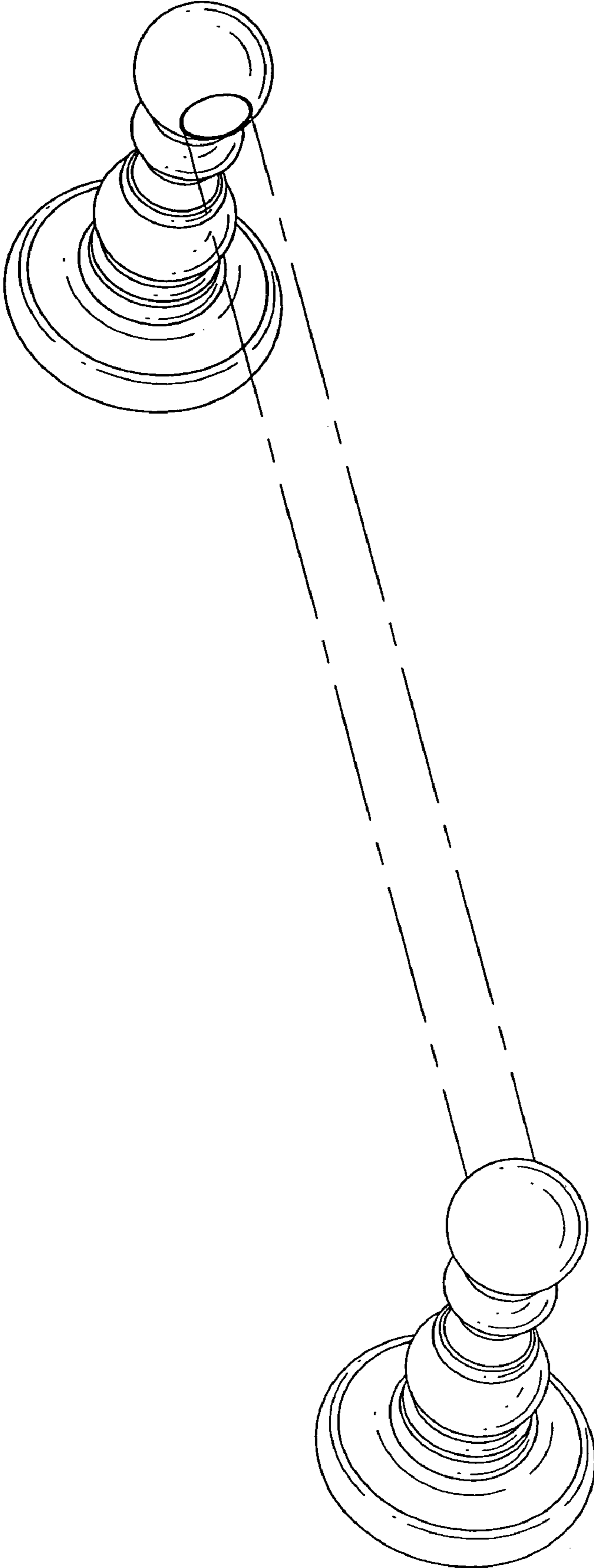


FIG. 9