



US00D574645S

(12) **United States Design Patent**
Christensen

(10) **Patent No.:** **US D574,645 S**

(45) **Date of Patent:** **** Aug. 12, 2008**

(54) **CHAIR BACK**

(75) Inventor: **Jesper Christensen**, Vancouver (CA)

(73) Assignee: **Dynamic Office Chair Company, Ltd.**,
New Westminster, B.C. (CA)

(**) Term: **14 Years**

(21) Appl. No.: **29/274,559**

(22) Filed: **May 2, 2007**

(51) **LOC (8) Cl.** **06-01**

(52) **U.S. Cl.** **D6/502; D6/366**

(58) **Field of Classification Search** D6/334-336,
D6/364, 365, 366, 367, 369, 379, 380, 500-502;
297/284.4, 300.2, 411.27, 411.36, 452.13,
297/452.18, 452.29, 452.46, 452.56, 452.64
See application file for complete search history.

(56) **References Cited**

U.S. PATENT DOCUMENTS

D497,265 S * 10/2004 Tai D6/366
D497,266 S * 10/2004 Tai D6/366
D510,671 S * 10/2005 Wu D6/502

D552,857 S * 10/2007 Wang D6/366
D553,378 S * 10/2007 Wang D6/366
D558,492 S * 1/2008 Lu D6/500
D568,624 S * 5/2008 Wen D6/366

* cited by examiner

Primary Examiner—Mimosa De

(74) *Attorney, Agent, or Firm*—Rosenberg, Klein & Lee

(57) **CLAIM**

The ornamental design for a chair back, as shown and described.

DESCRIPTION

FIG. 1 is a perspective view of a chair back showing my new design;

FIG. 2 is a front elevational view thereof;

FIG. 3 is a rear elevational view thereof;

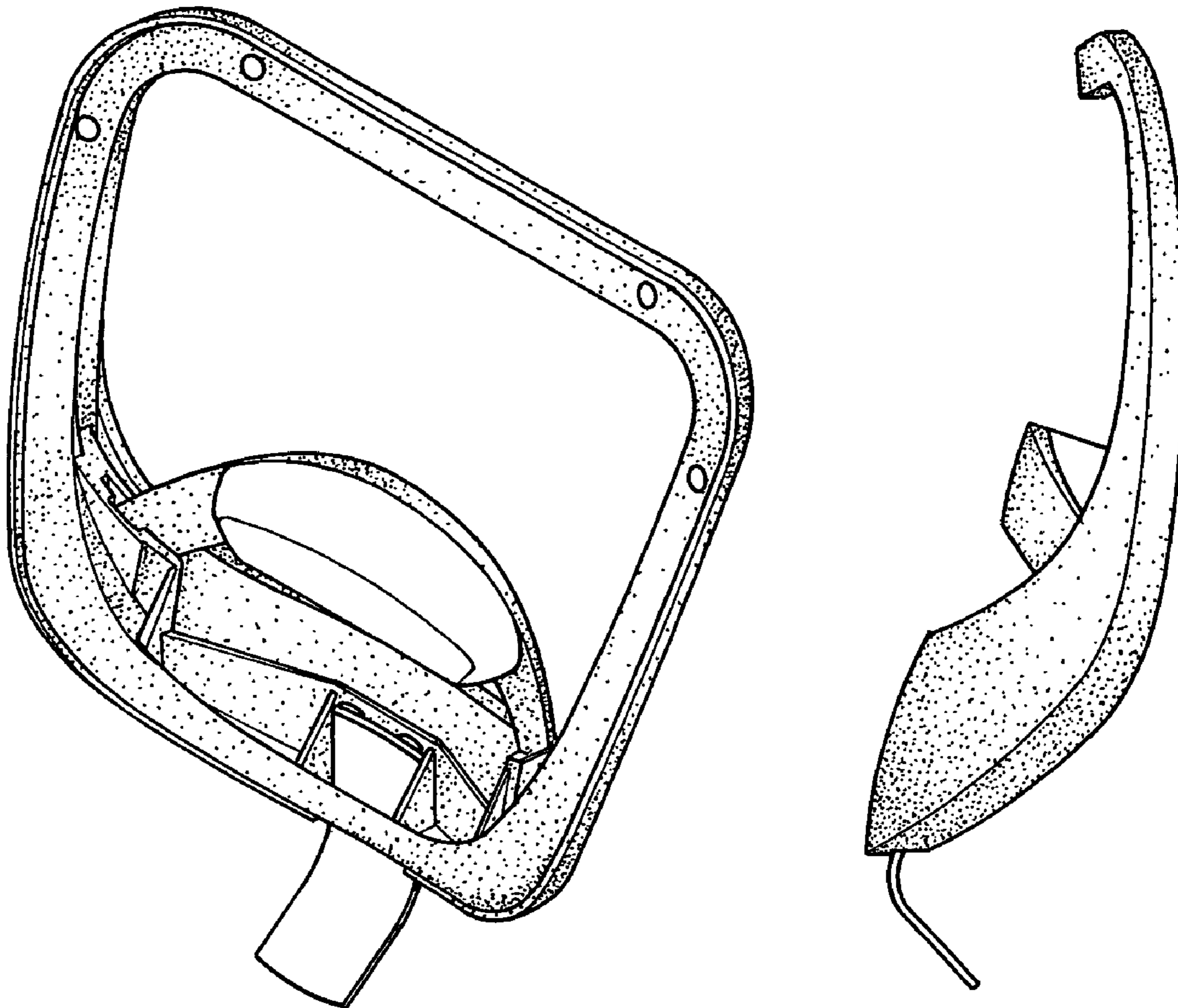
FIG. 4 is a left side elevational view thereof;

FIG. 5 is a right side elevational view thereof;

FIG. 6 is a top plan view thereof; and,

FIG. 7 is a bottom plan view thereof.

1 Claim, 4 Drawing Sheets



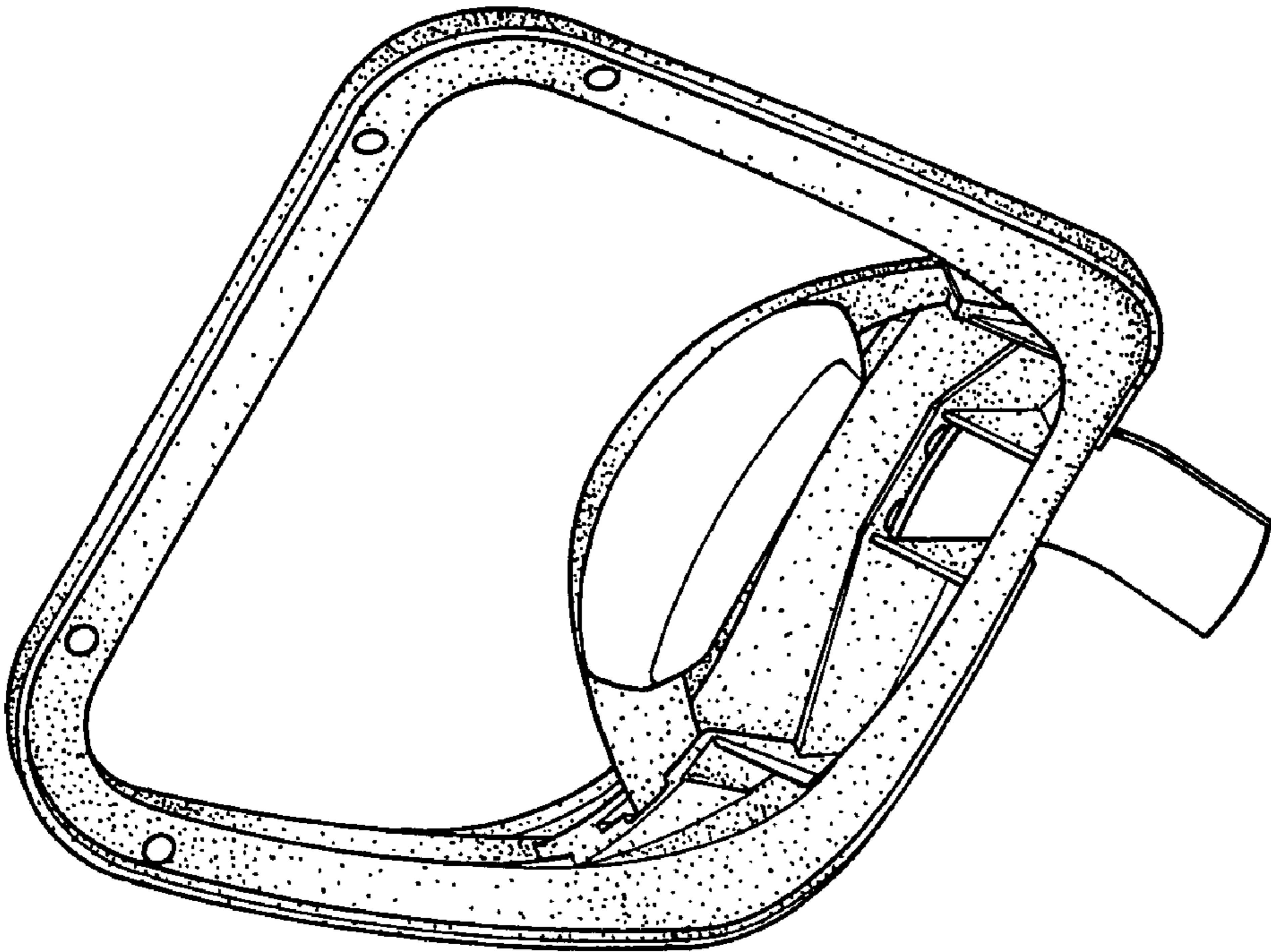


FIG. 1

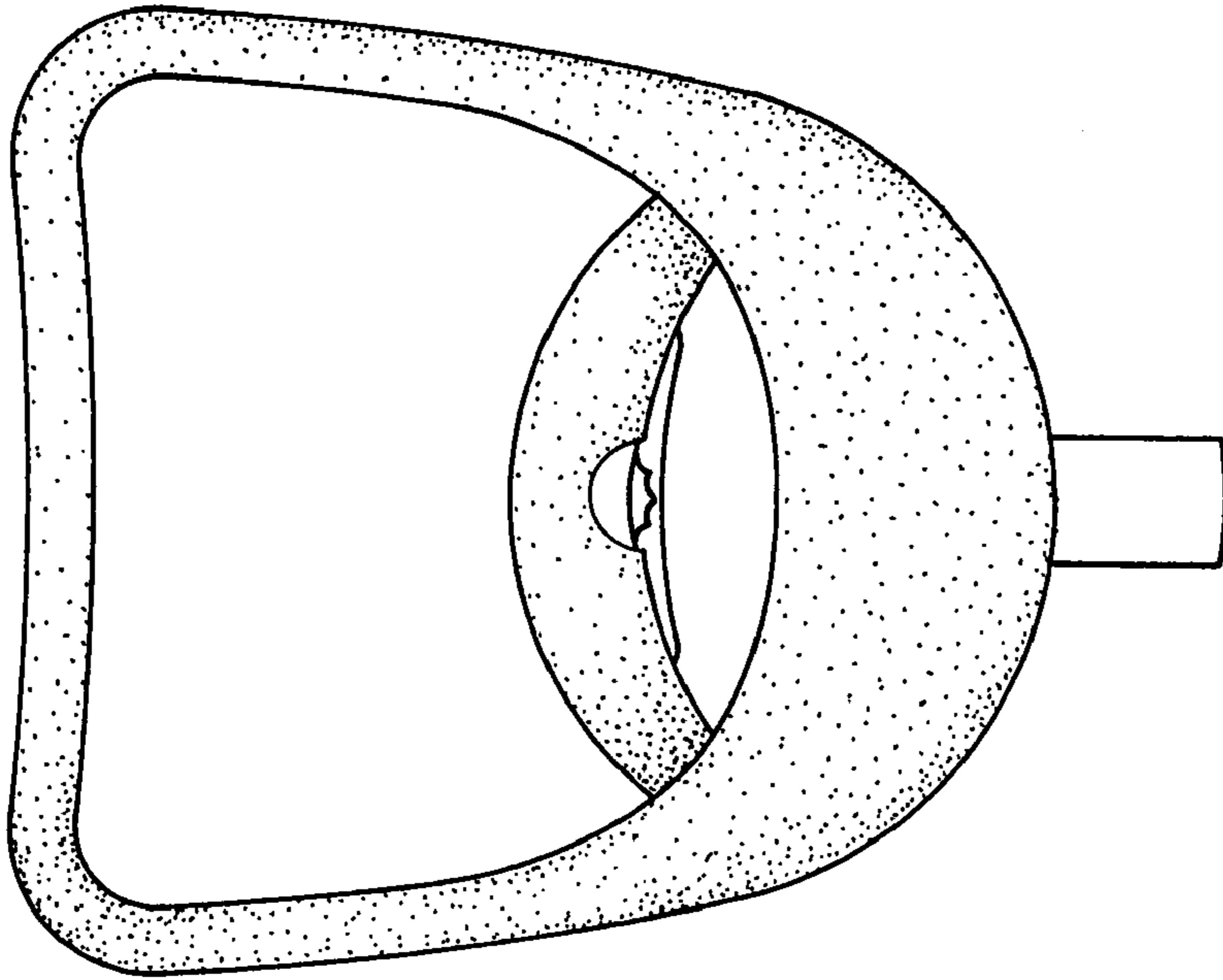


FIG. 3

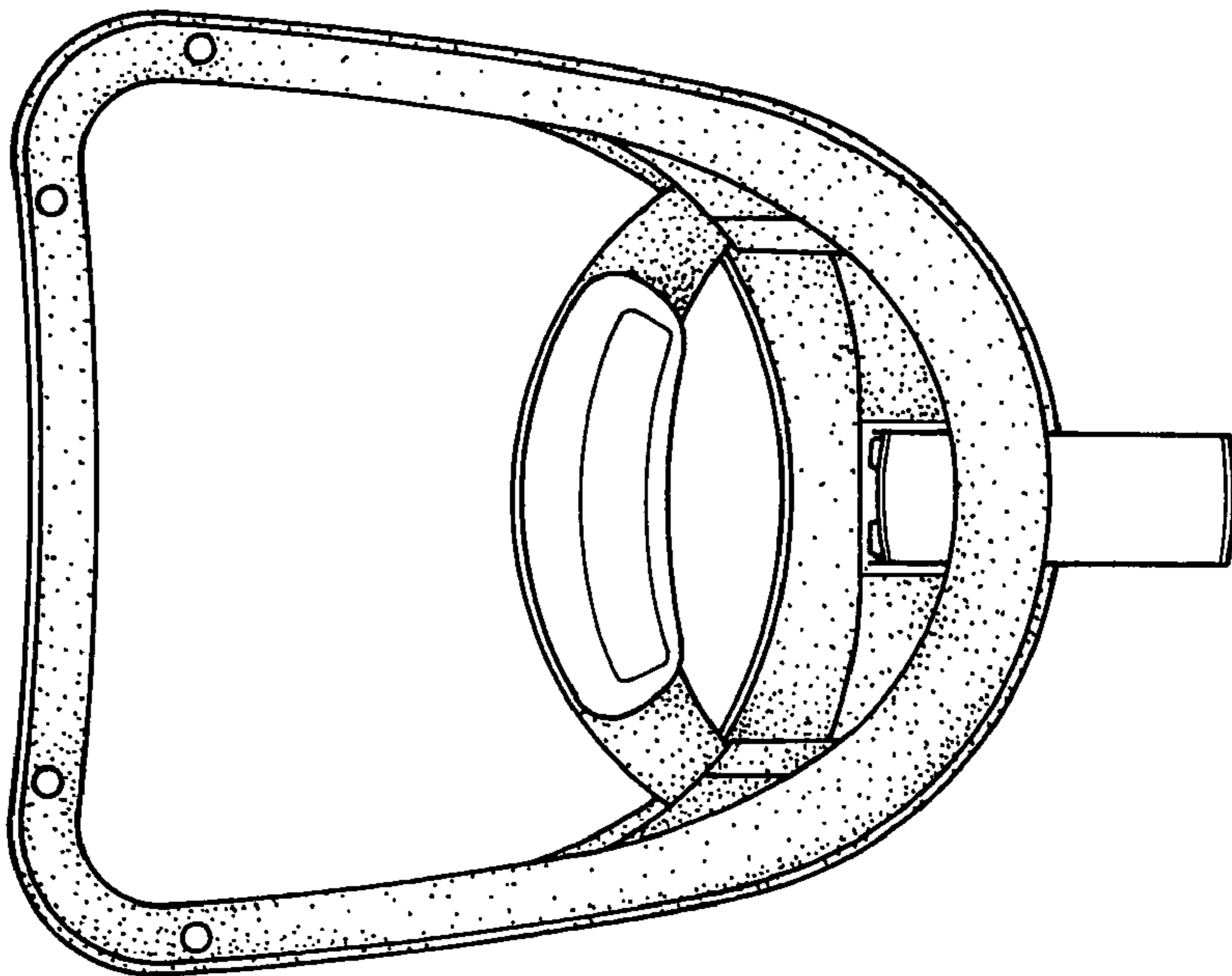


FIG. 2

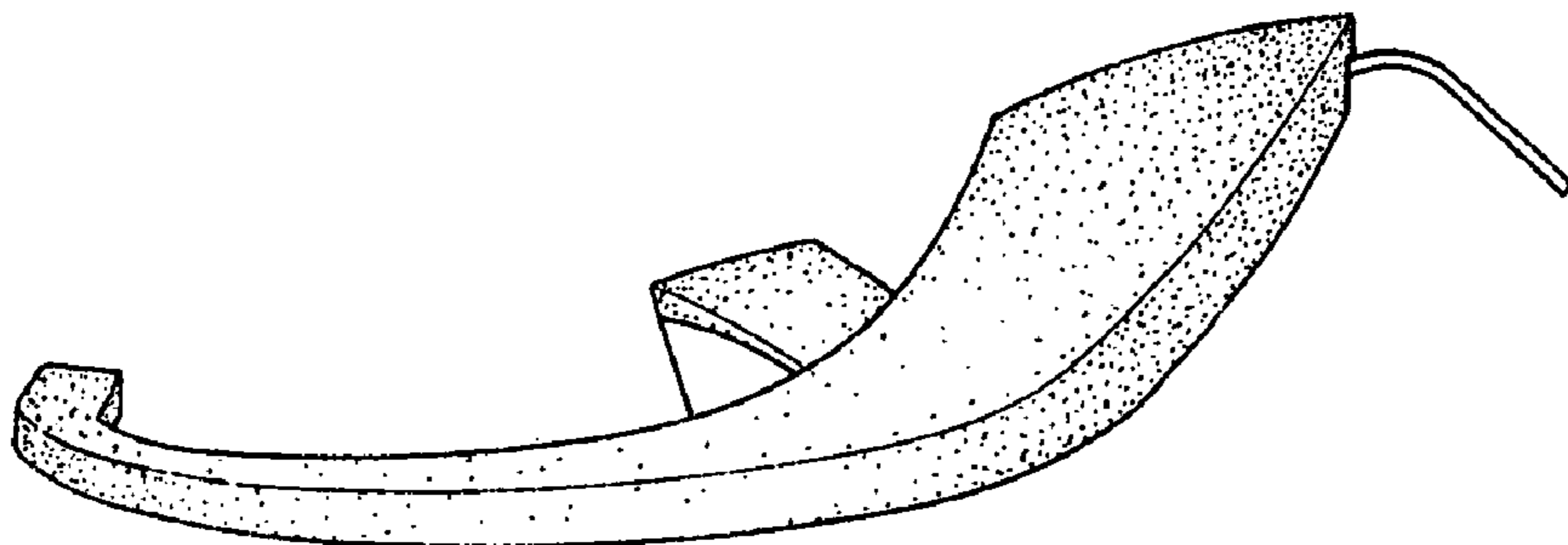


FIG. 5

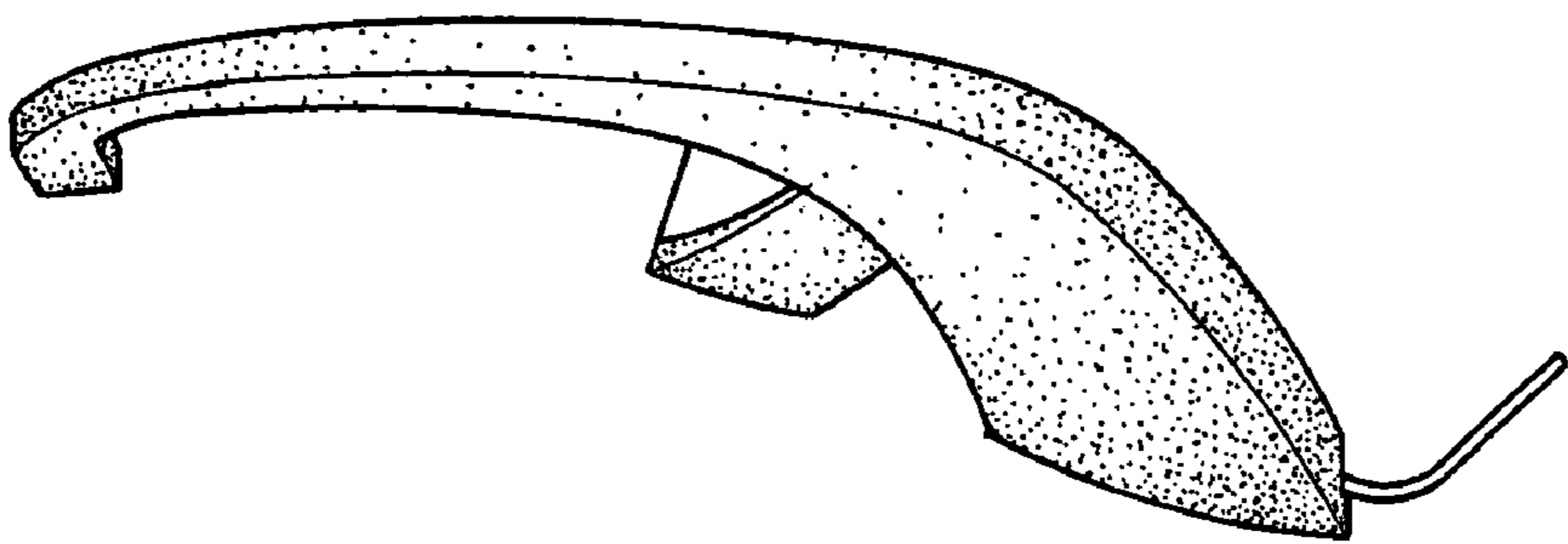


FIG. 4

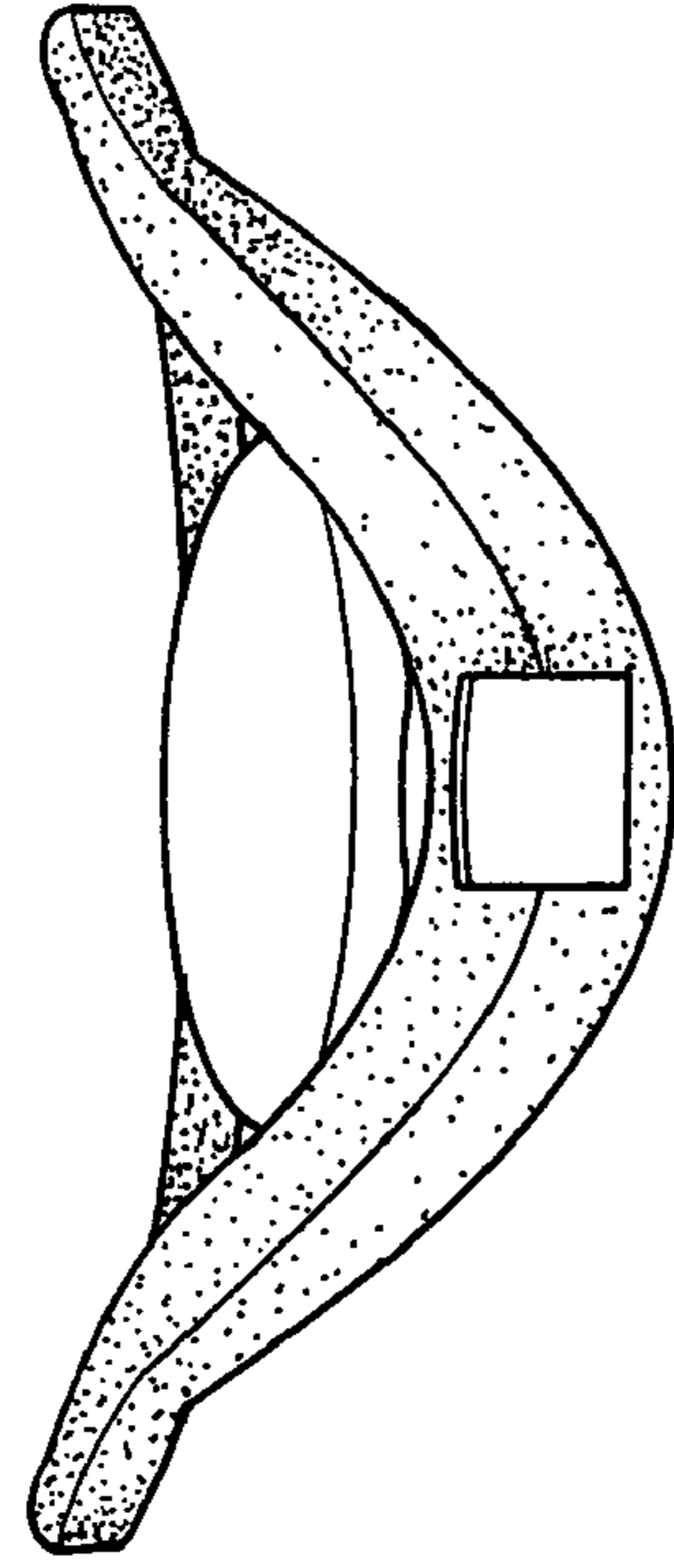


FIG. 6

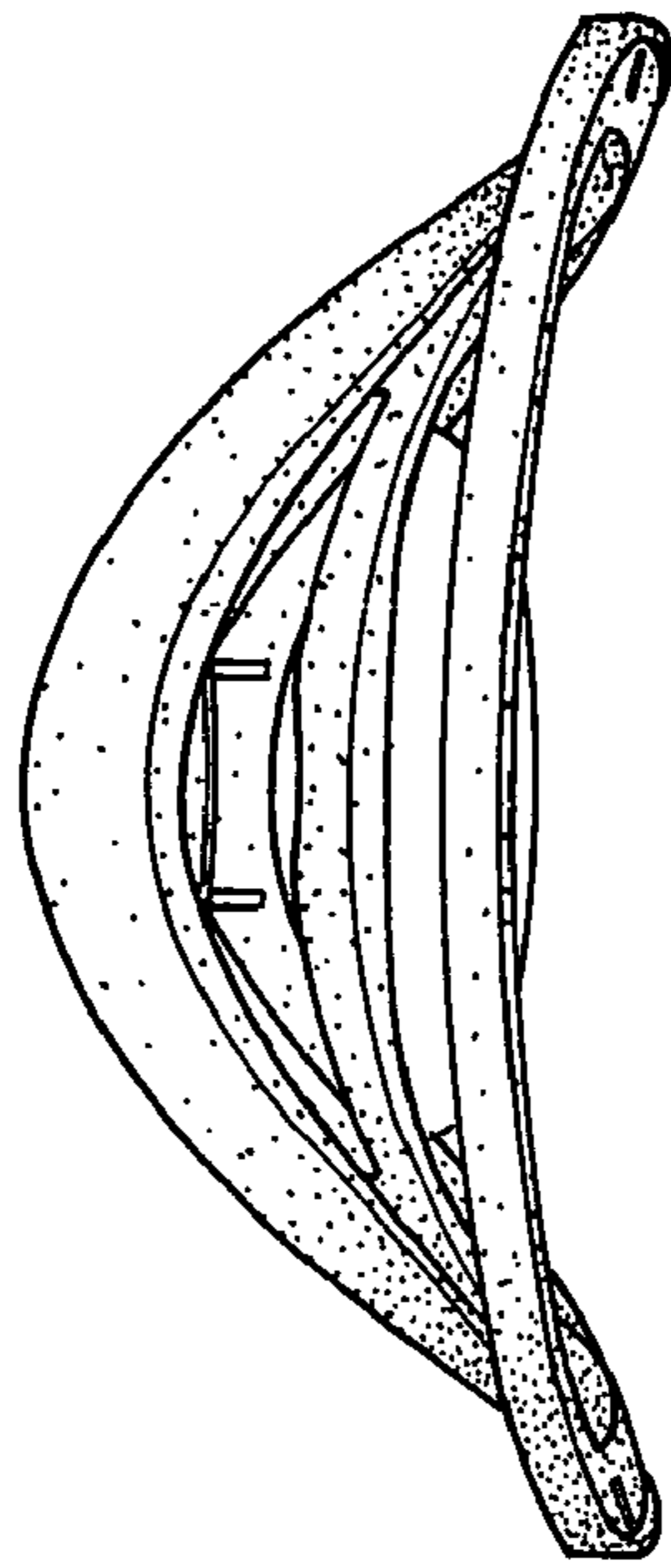


FIG. 7