



US00D574642S

(12) **United States Design Patent**
Shimizu et al.

(10) **Patent No.:** **US D574,642 S**

(45) **Date of Patent:** **** Aug. 12, 2008**

(54) **MESSAGE CHAIR**

(75) Inventors: **Shinichi Shimizu**, Higashiosaka (JP);
David Potter, Los Angeles, CA (US);
Hans Dehli, San Clemente, CA (US)

(73) Assignee: **Human Touch, LLC**, Long Beach, CA
(US)

(**) Term: **14 Years**

(21) Appl. No.: **29/280,186**

(22) Filed: **May 18, 2007**

(51) **LOC (8) Cl.** **06-01**

(52) **U.S. Cl.** **D6/500**

(58) **Field of Classification Search** D6/334-338,
D6/360, 367, 374, 375, 482, 491, 495, 500-502,
D6/357, 364; 297/83, 157.1, 158.3, 170,
297/184.16, 188.14, 244, 423.19; 5/12.1,
5/12.2

See application file for complete search history.

(56) **References Cited**

U.S. PATENT DOCUMENTS

D221,764 S *	9/1971	Johnson	D24/178
D221,765 S *	9/1971	Johnson	D24/178
D227,954 S *	7/1973	Gill	D6/336
D262,165 S *	12/1981	Andries et al.	D6/335
D424,819 S *	5/2000	Galati et al.	D6/336
D434,916 S *	12/2000	Galati et al.	D6/336
D455,017 S *	4/2002	Tran	D6/336
D455,566 S *	4/2002	Park	D6/336
D456,154 S *	4/2002	Huynh et al.	D6/336
D504,783 S *	5/2005	Park	D6/336
D505,021 S *	5/2005	Kim	D6/336
D520,761 S *	5/2006	Masuda	D6/336

D541,060 S * 4/2007 Fugate et al. D6/335

* cited by examiner

Primary Examiner—Sandra Snapp

(74) *Attorney, Agent, or Firm*—Christie, Parker & Hale, LLP

(57) **CLAIM**

The ornamental design for massage chair, as shown and described.

DESCRIPTION

FIG. 1 is a perspective view of a first embodiment of the massage chair according to the present invention;

FIG. 2 is a front view of a first embodiment of the massage chair according to the present invention;

FIG. 3 is a side view of a first embodiment of the massage chair according to the present invention;

FIG. 4 is a rear view of a first embodiment of the massage chair according to the present invention;

FIG. 5 is a top view of a first embodiment of the massage chair according to the present invention;

FIG. 6 is a perspective view of an alternate embodiment of the massage chair according to the present invention;

FIG. 7 is a front view of an alternate embodiment of the massage chair according to the present invention;

FIG. 8 is a side view of an alternate embodiment of the massage chair according to the present invention;

FIG. 9 is a rear view of an alternate embodiment of the massage chair according to the present invention; and,

FIG. 10 is a top view of an alternate embodiment of the massage chair according to the present invention.

Environmental features that are not part of the claimed design are shown in broken lines.

1 Claim, 10 Drawing Sheets

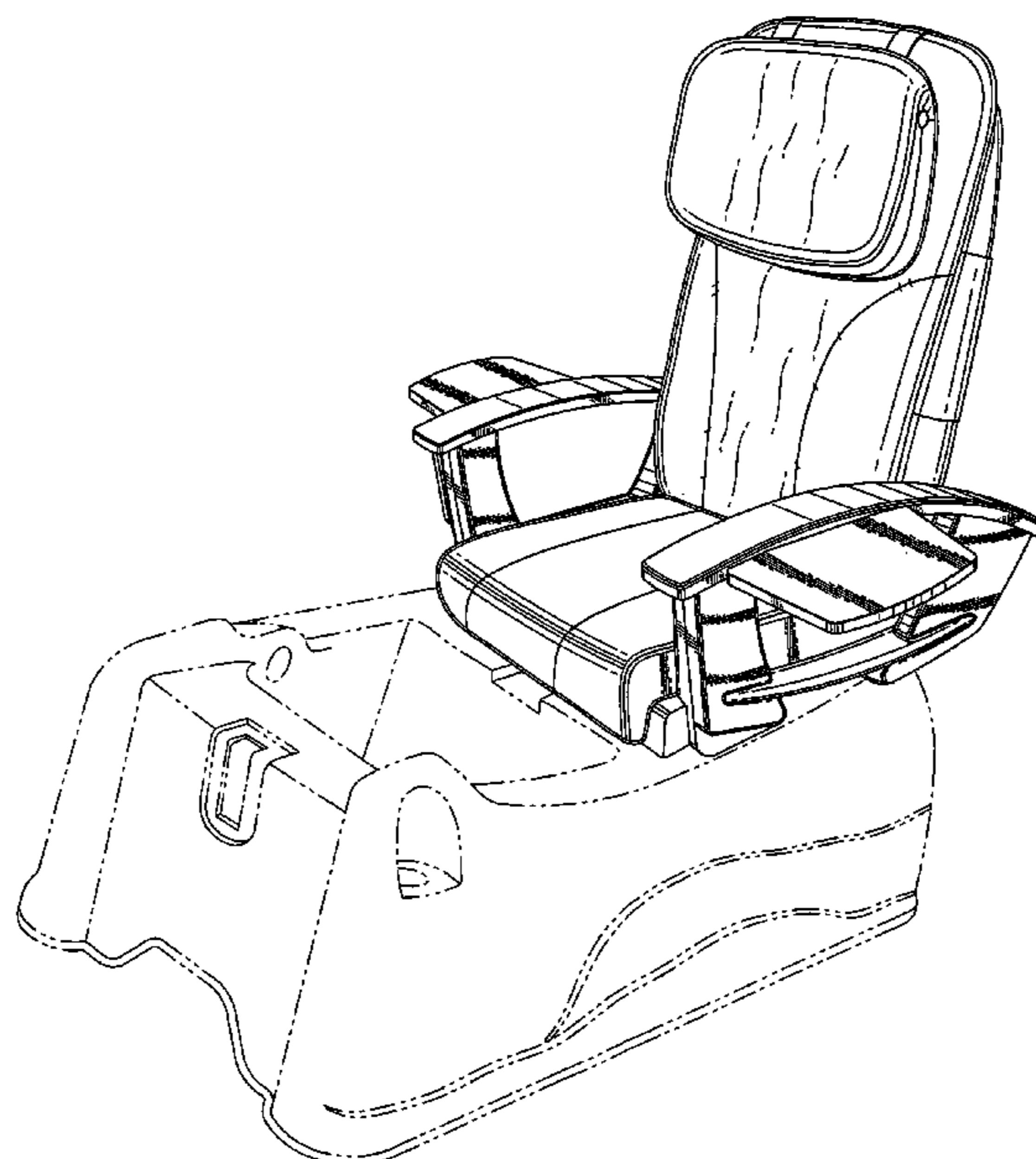


FIG. 1

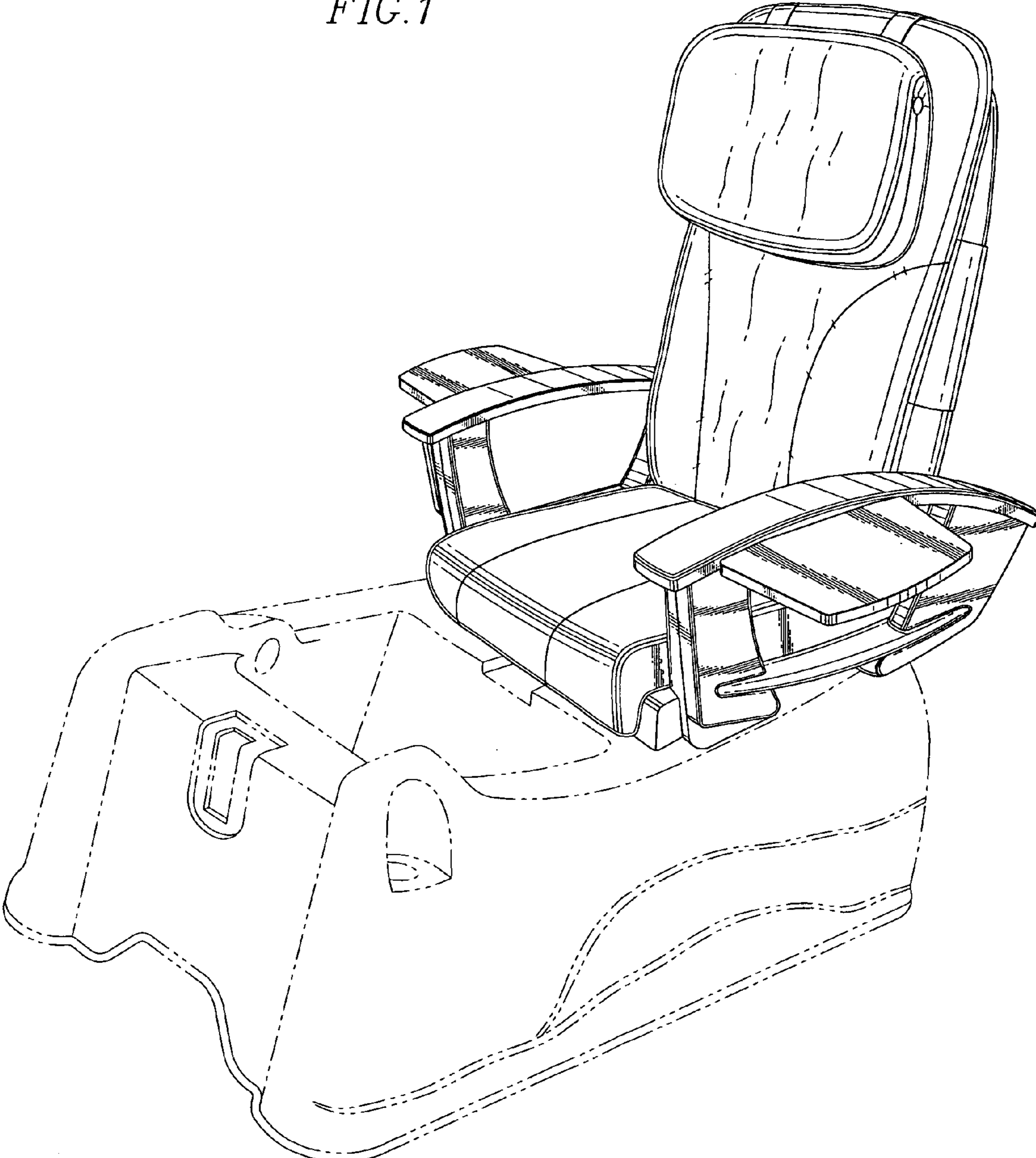


FIG. 2

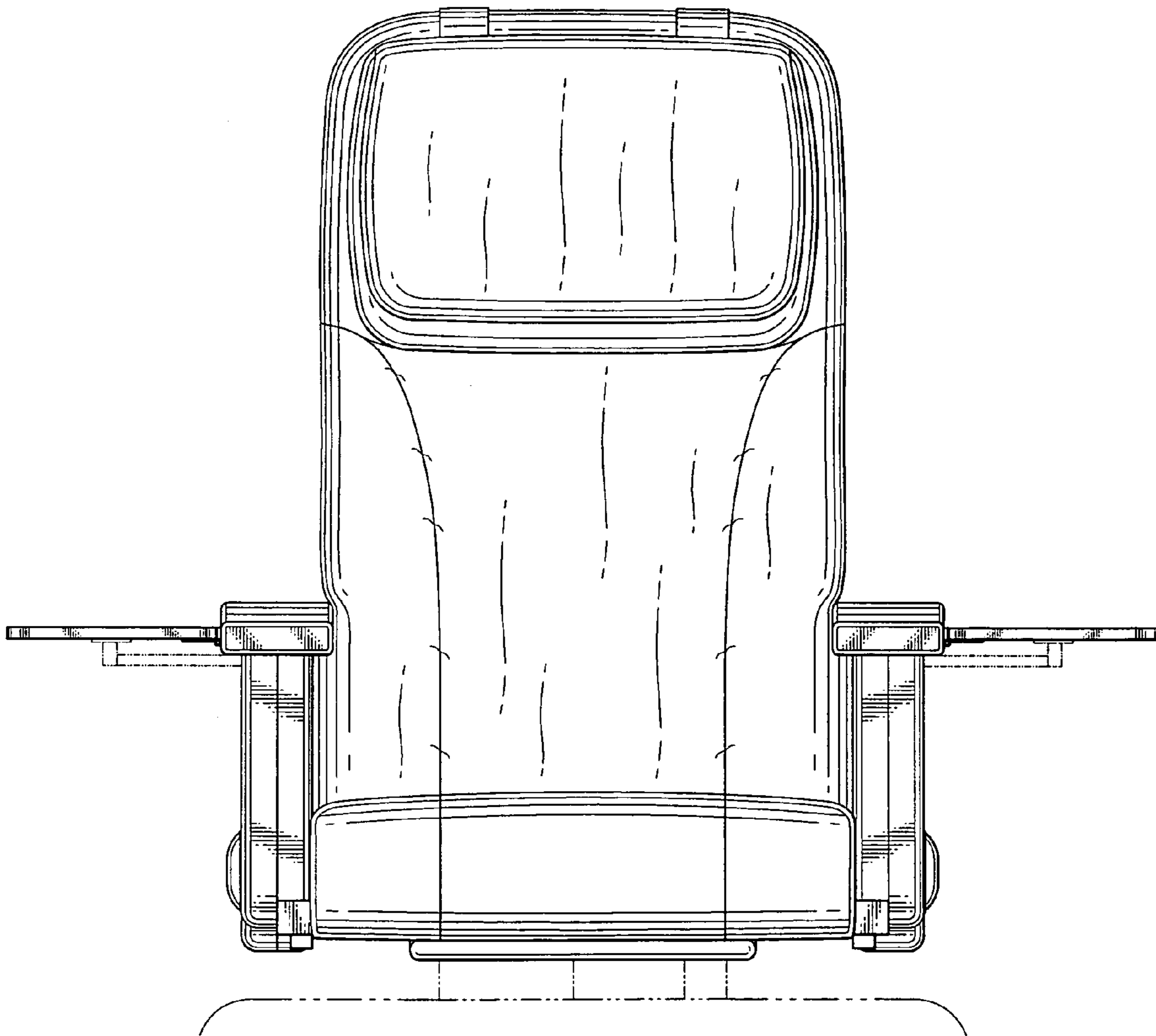


FIG. 3

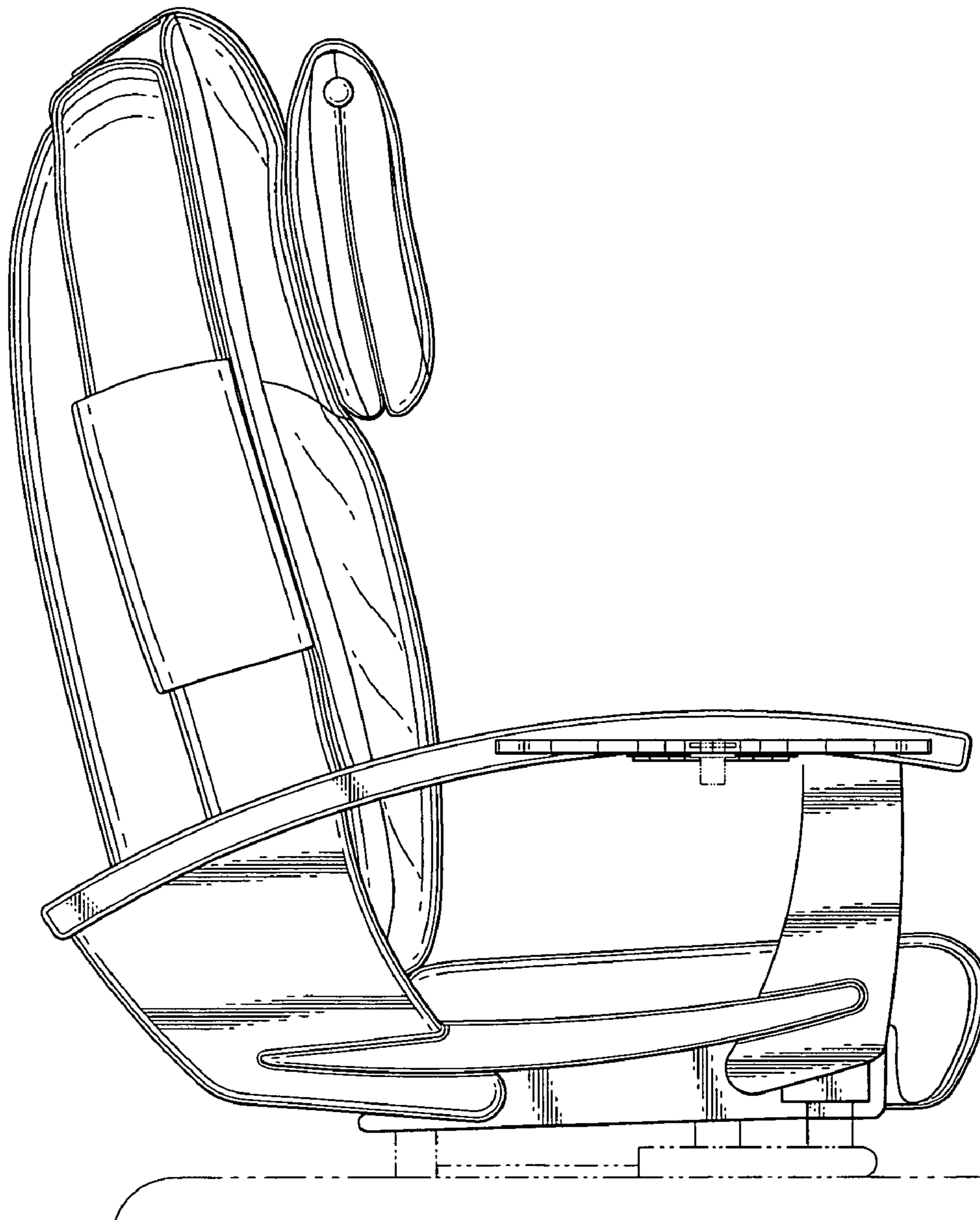


FIG. 4

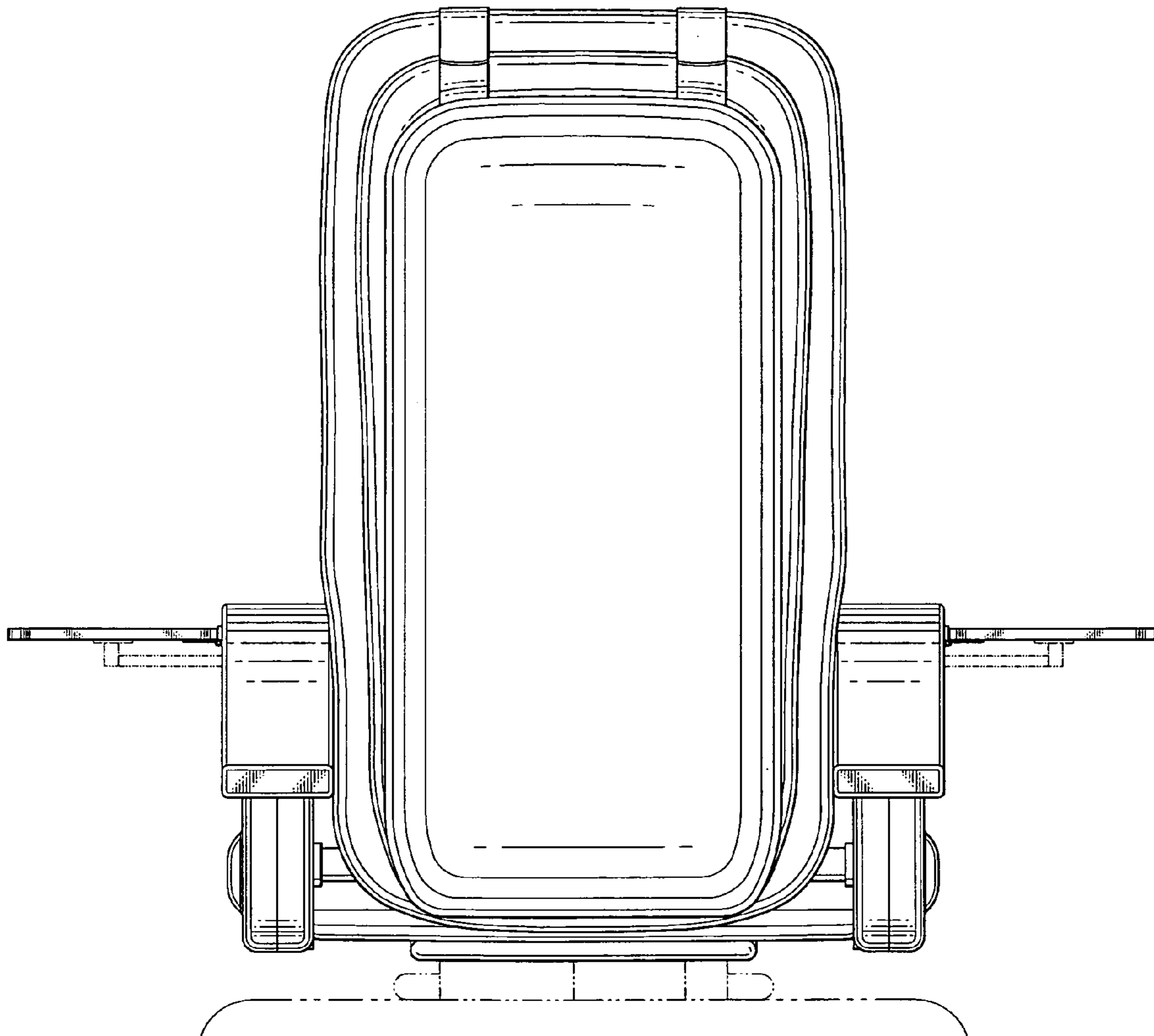


FIG. 5

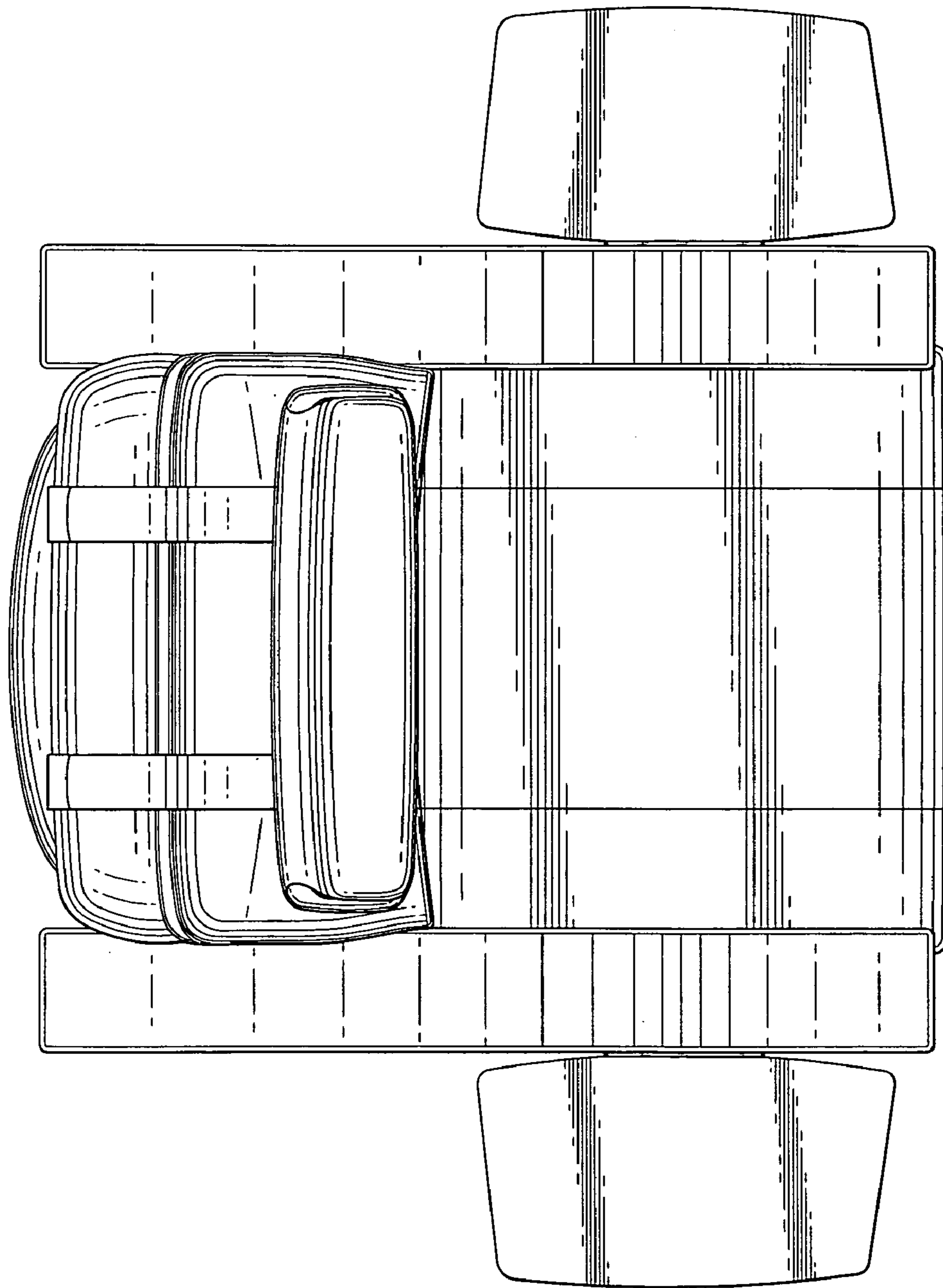


FIG. 6

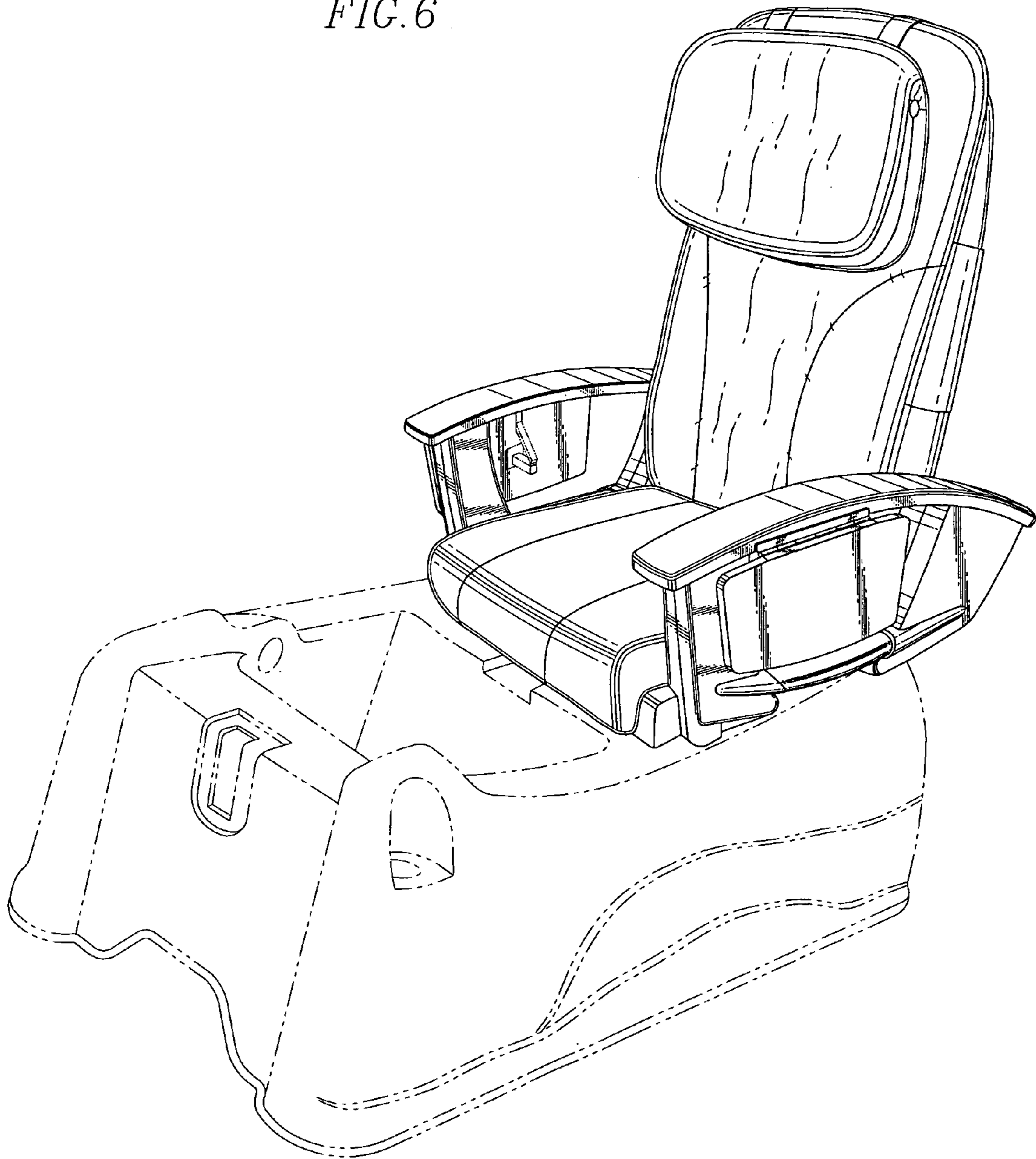


FIG. 7

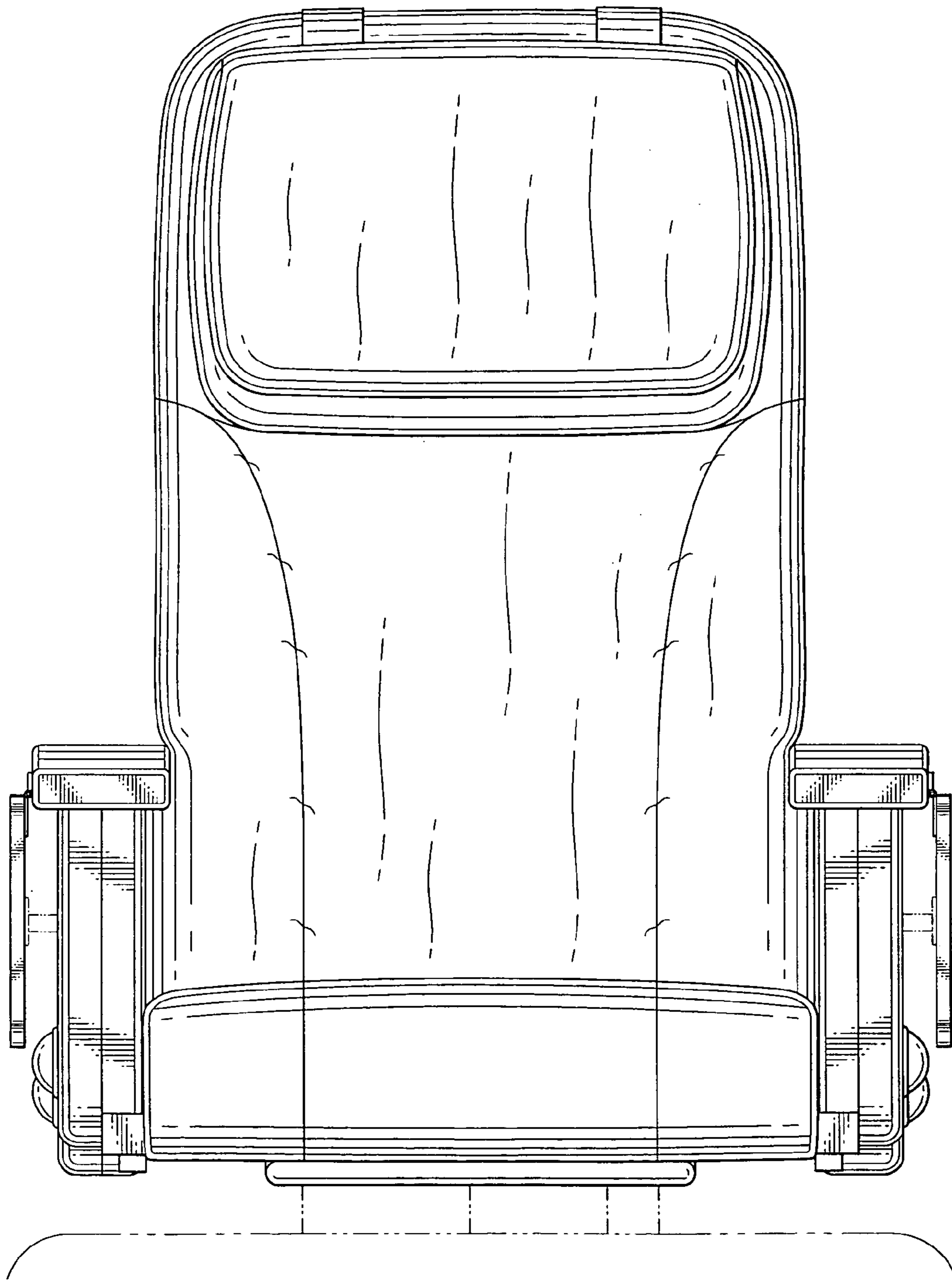


FIG. 8

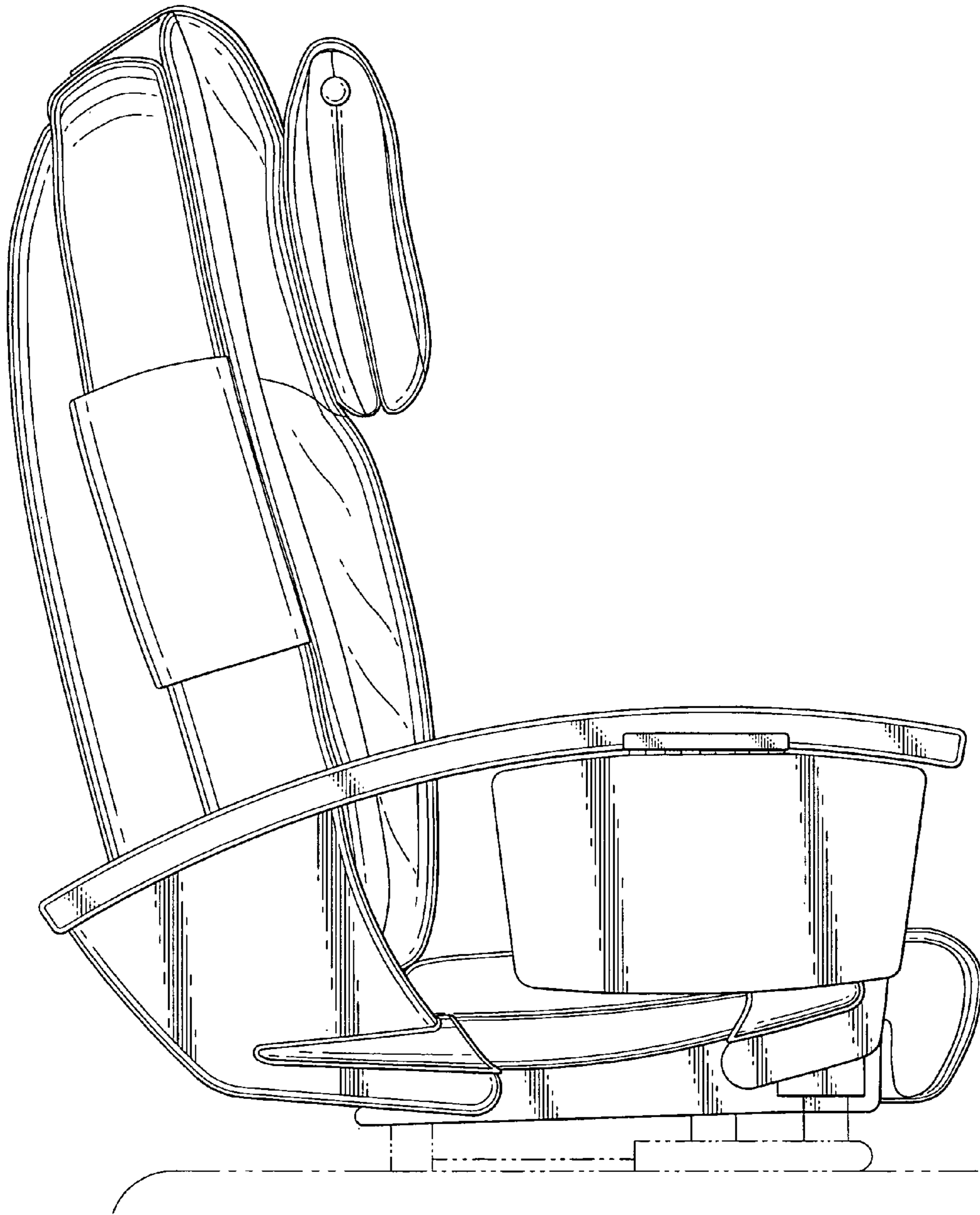


FIG. 9

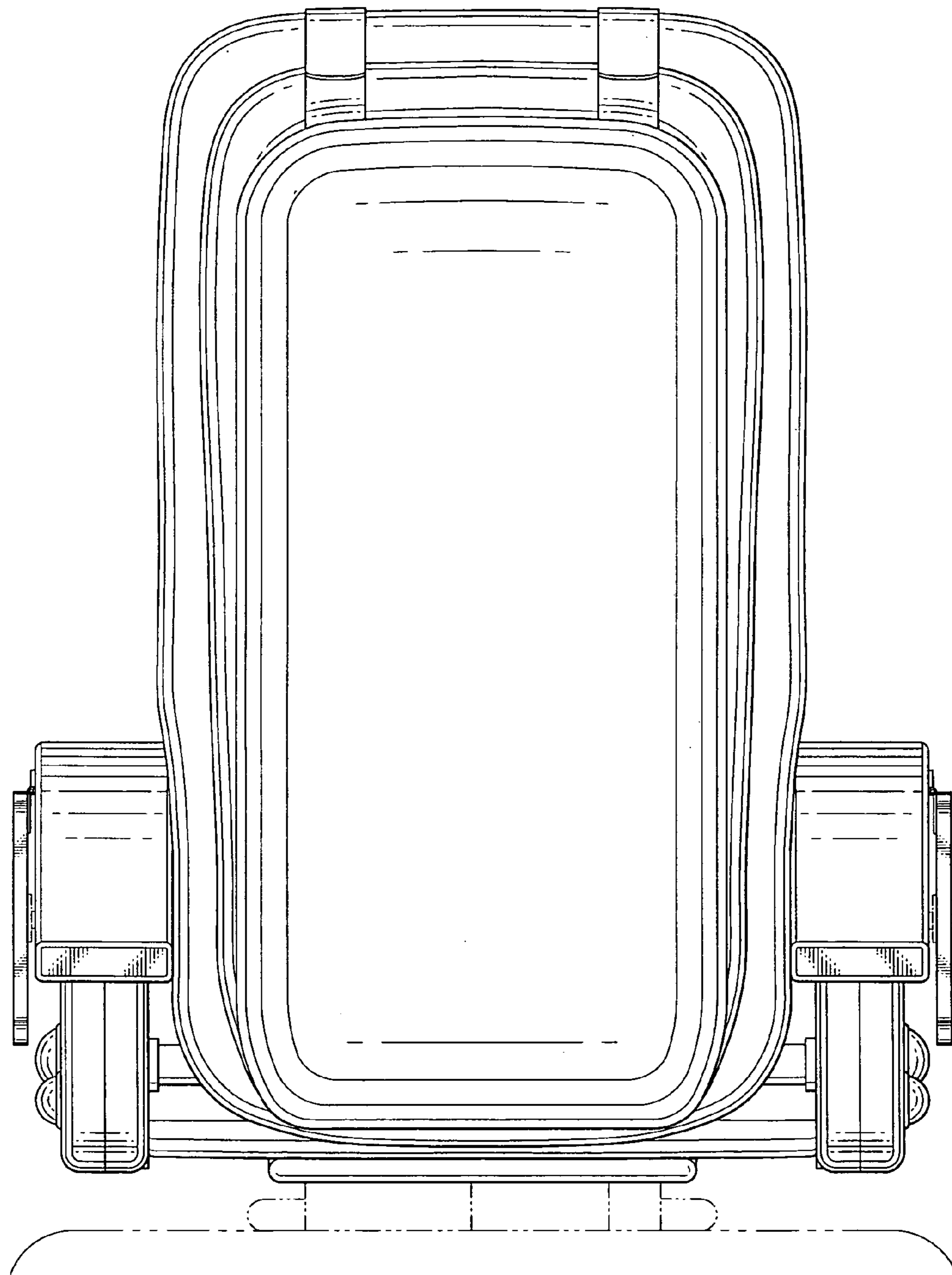


FIG. 10

