



US00D574641S

(12) **United States Design Patent**
Bongaerts

(10) **Patent No.:** **US D574,641 S**

(45) **Date of Patent:** **** Aug. 12, 2008**

(54) **CHAIR**

(75) Inventor: **William I. Bongaerts**, Winston Salem,
NC (US)

(73) Assignee: **Beaufurn, LLC**, Clemmons, NC (US)

(**) Term: **14 Years**

(21) Appl. No.: **29/279,322**

(22) Filed: **Apr. 26, 2007**

(51) **LOC (8) Cl.** **06-01**

(52) **U.S. Cl.** **D6/500**

(58) **Field of Classification Search** D6/334-336,
D6/360, 370, 374, 375, 376, 379, 380, 499,
D6/500-502; 297/239, 445.1, 446.1, 452.18,
297/452.2

See application file for complete search history.

(56) **References Cited**

U.S. PATENT DOCUMENTS

2,936,024	A *	5/1960	Hendrickson	297/239
D352,185	S *	11/1994	Pagnon et al.	D6/380
D357,821	S *	5/1995	Tedesco	D6/379
D360,539	S *	7/1995	Cretcher	D6/379
D395,177	S *	6/1998	Dammerman et al.	D6/380
D397,880	S *	9/1998	Saul	D6/380

D429,911	S *	8/2000	Bartlmae	D6/380
D431,385	S *	10/2000	Barile et al.	D6/370
D441,976	S *	5/2001	Cramer	D6/380
D482,540	S *	11/2003	Ashby	D6/374
D498,072	S *	11/2004	Barile et al.	D6/380
2004/0061365	A1 *	4/2004	Crue	297/239

* cited by examiner

Primary Examiner—Mimosa De

(74) *Attorney, Agent, or Firm*—MacCord Mason PLLC

(57) **CLAIM**

The ornamental design for a chair, as shown and described.

DESCRIPTION

FIG. 1 is a front perspective view of a chair showing my new design;

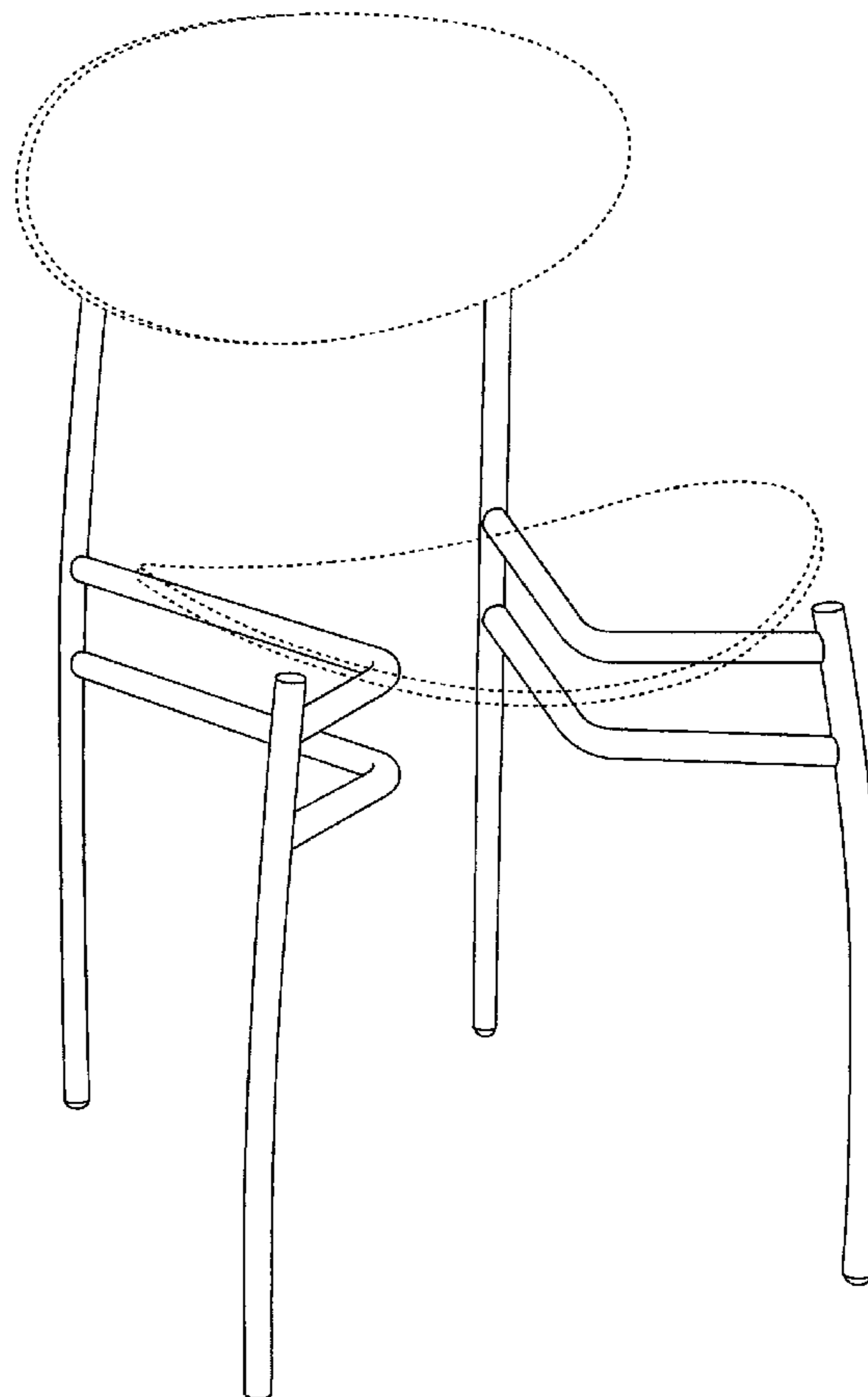
FIG. 2 is a front view thereof;

FIG. 3 is a side view, the opposite side being a mirror image thereof; and,

FIG. 4 is a top view thereof.

The dotted lines showing the chair back and seat are for illustrative purposes only and form no part of the claimed design.

1 Claim, 4 Drawing Sheets



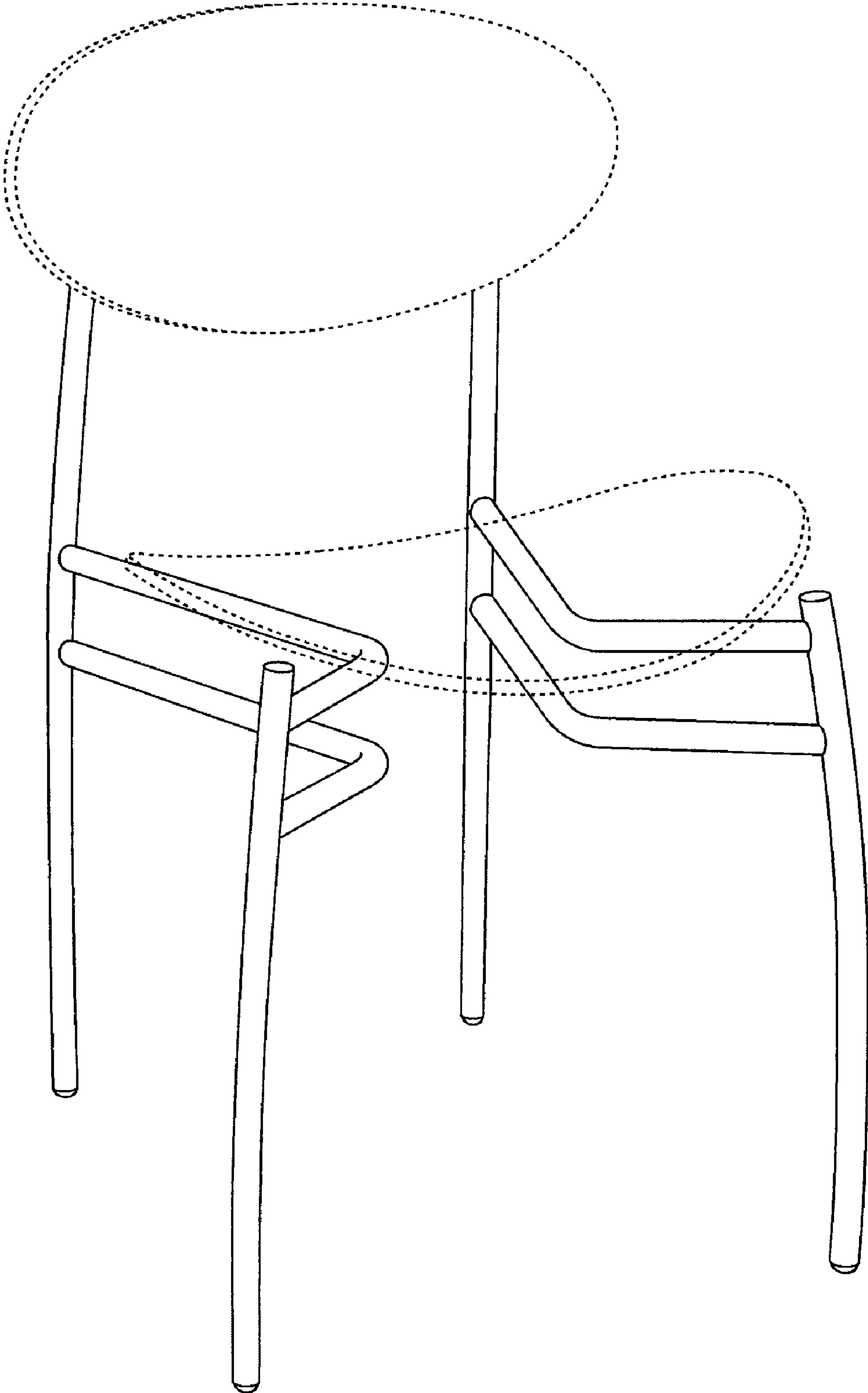


FIG. 1

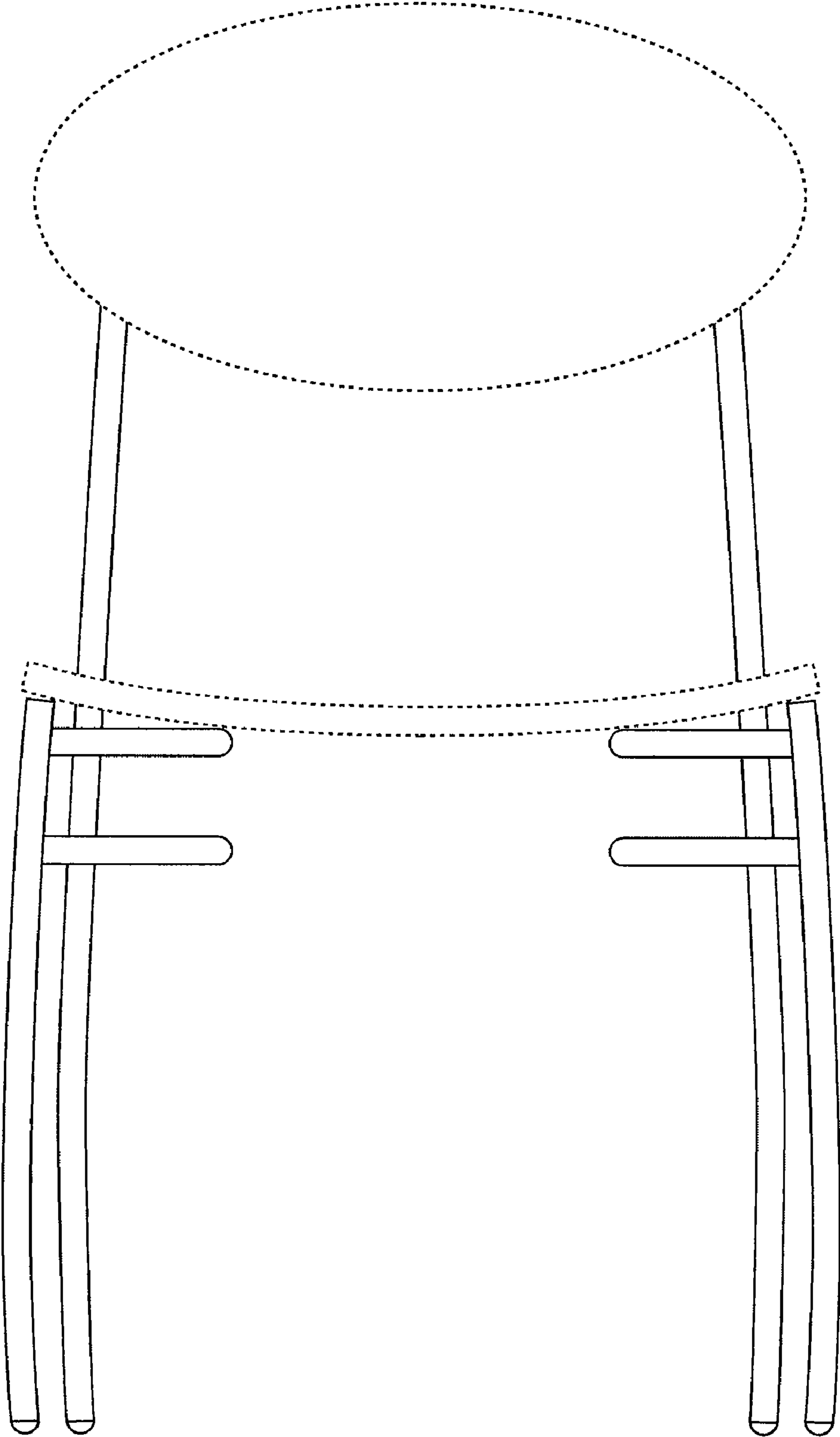


FIG. 2

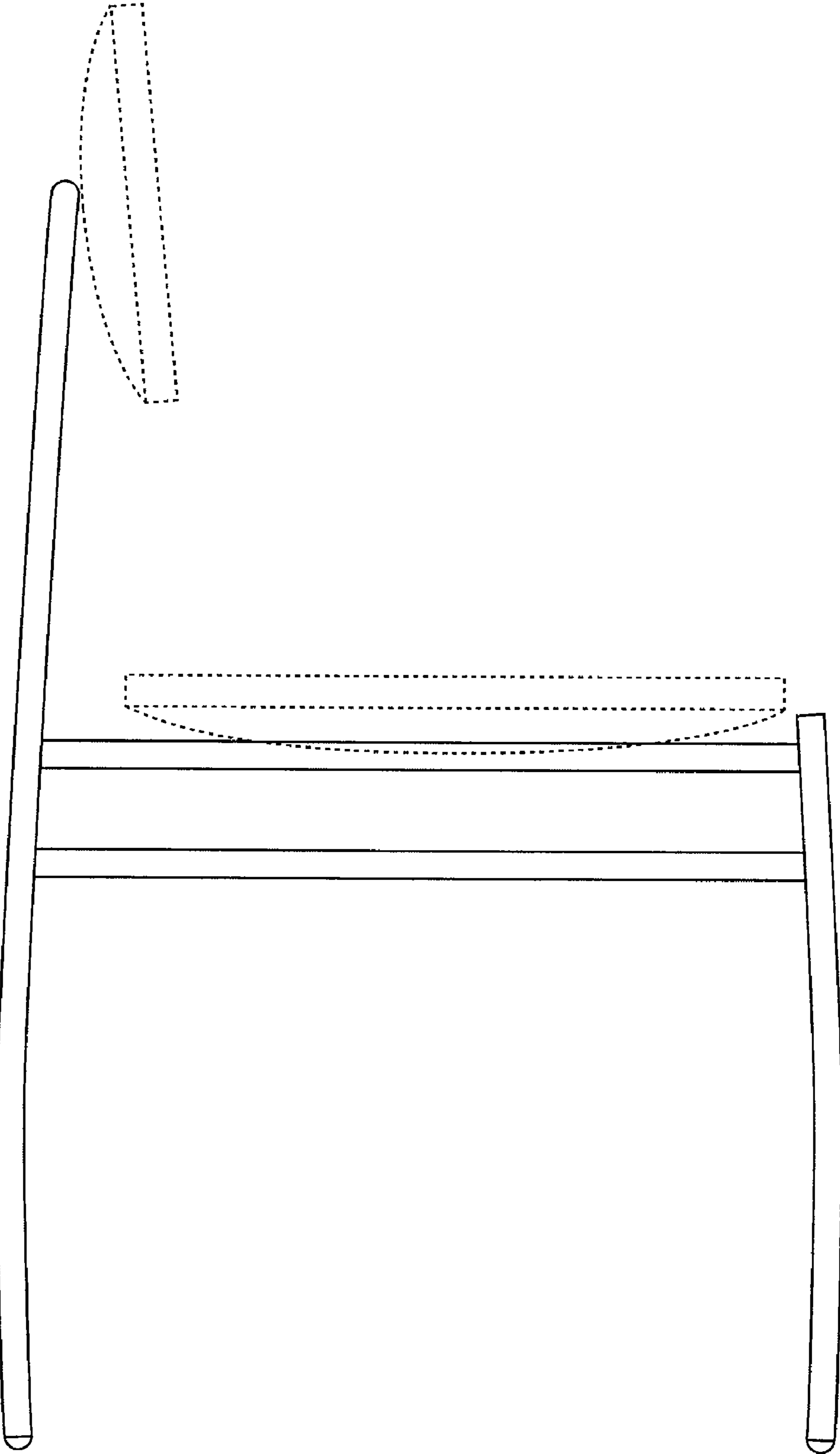


FIG. 3

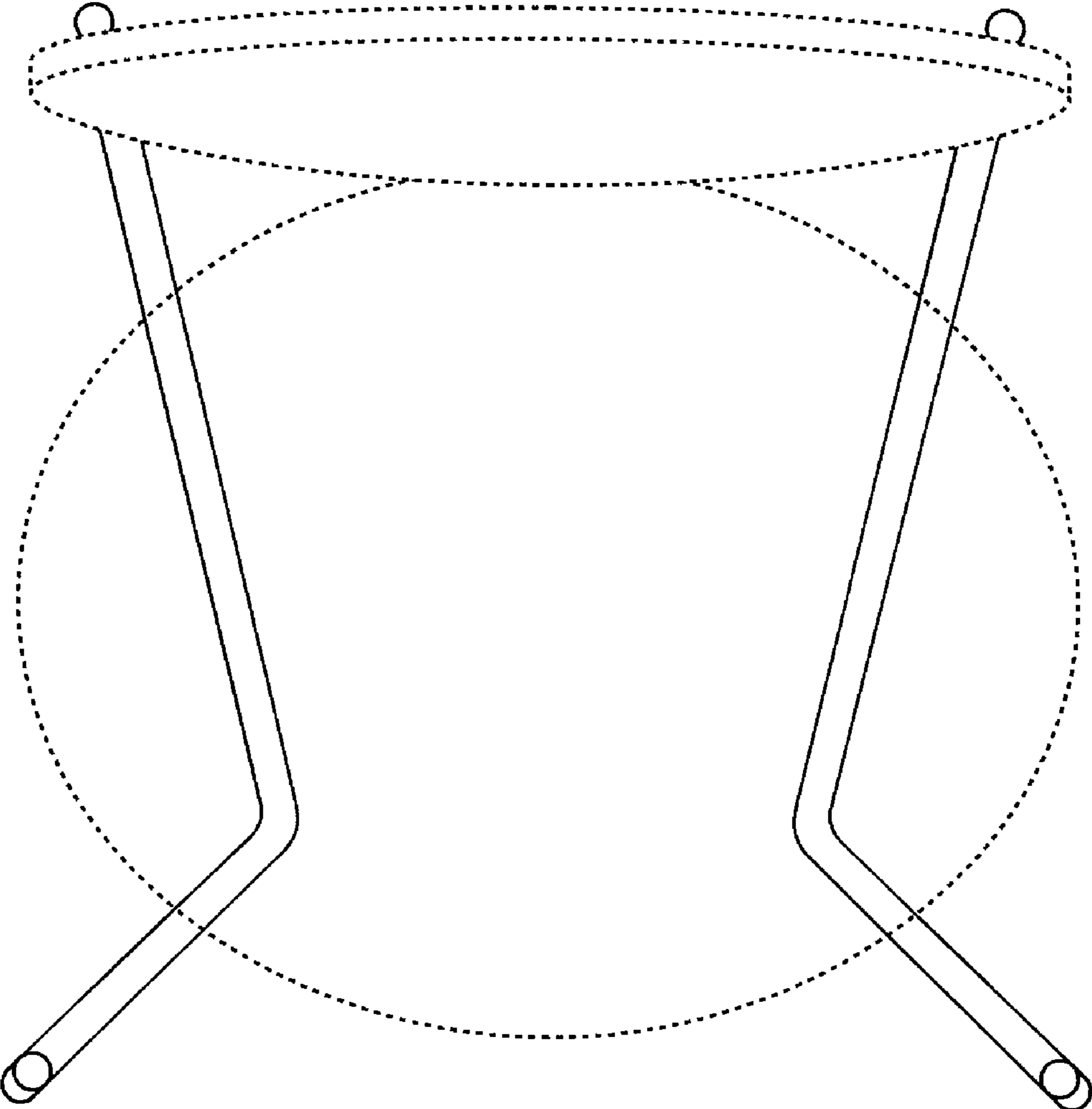


FIG. 4