



US00D574638S

(12) **United States Design Patent**
Porter

(10) **Patent No.:** **US D574,638 S**

(45) **Date of Patent:** **** Aug. 12, 2008**

(54) **COUCH ARM**

D495,151 S * 8/2004 Porter D6/492
D527,553 S * 9/2006 Porter D6/495

(75) Inventor: **Howard Porter**, Kuala Lumpur (MY)

* cited by examiner

(73) Assignee: **Night and Day Furniture LLC**,
Vancouver, WA (US)

Primary Examiner—Sandra Snapp

(74) *Attorney, Agent, or Firm*—Harness Dickey & Pierce,
P.L.C.

(**) Term: **14 Years**

(21) Appl. No.: **29/281,114**

(57) **CLAIM**

(22) Filed: **Jun. 15, 2007**

The ornamental design for a couch arm, as shown and described.

(51) **LOC (8) Cl.** **06-01**

(52) **U.S. Cl.** **D6/492**

(58) **Field of Classification Search** D6/334,
D6/335, 375, 381, 492, 500–502, 337, 341,
D6/343, 357; 297/63–65, 232–233, 283.2,
297/300.1, 311, 353, 354.1, 411.2, 445.1,
297/448.1, 452.48; 5/12.1, 12.2

See application file for complete search history.

DESCRIPTION

FIG. 1 is a front, top and left side perspective view of a couch arm showing my new design;

FIG. 2 is a front, top and right side perspective view thereof;

FIG. 3 is a top plan view thereof;

FIG. 4 is a rear elevational view thereof;

FIG. 5 is a left side elevational view thereof;

FIG. 6 is a front elevational view thereof; and,

FIG. 7 is a right side elevational view thereof.

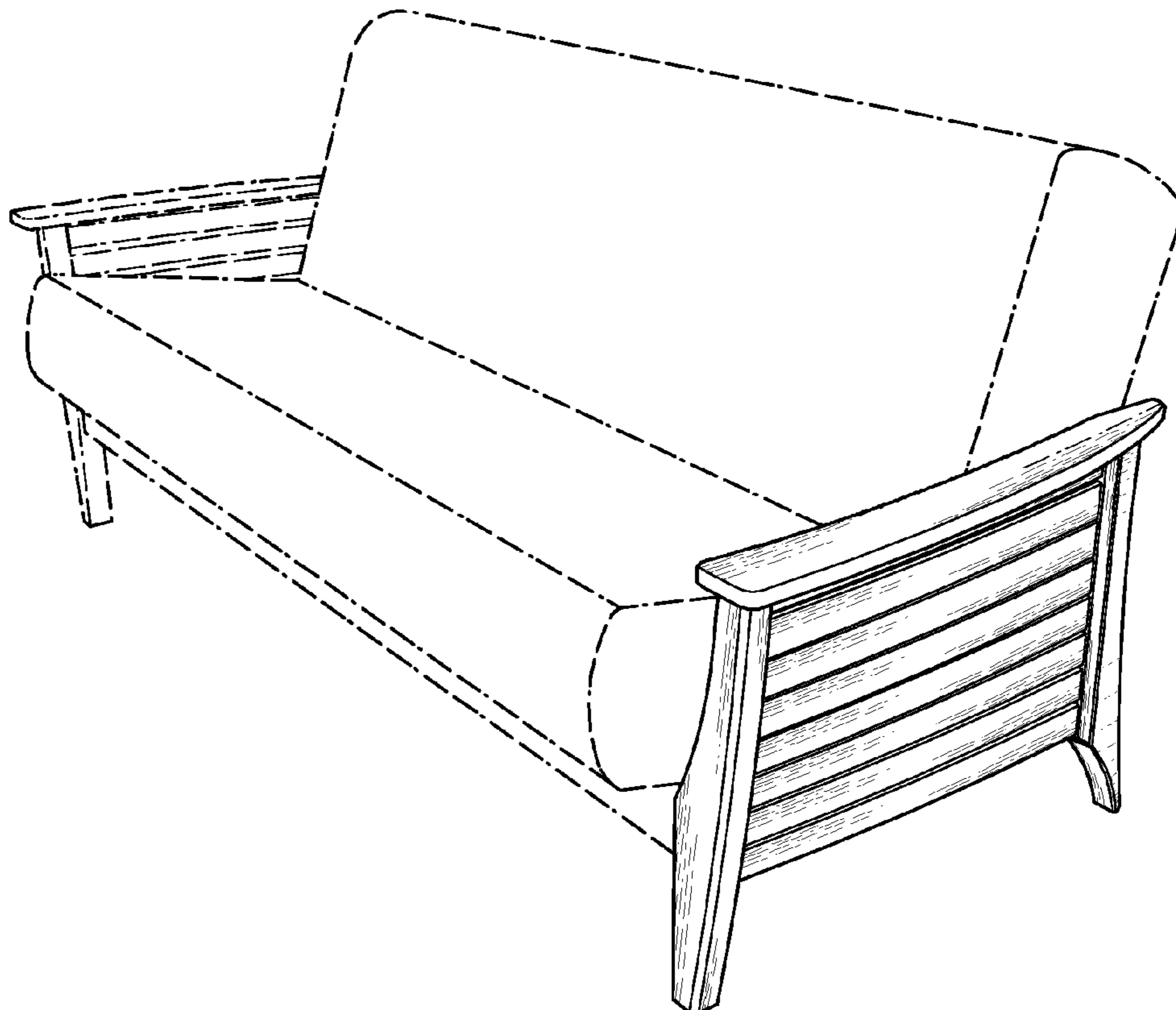
The bottom plan view is not illustrated as it forms no part of the claimed design. The broken lines shown in the drawings are for illustrative purposes only and form no part of the claimed design.

(56) **References Cited**

U.S. PATENT DOCUMENTS

D363,171 S * 10/1995 Kramer D6/381
D368,173 S * 3/1996 Kramer D6/370
D379,278 S * 5/1997 Zeinfeld et al. D6/492
D463,689 S * 10/2002 Pathiratne D6/492
D463,690 S * 10/2002 Pathiratne D6/492
D482,911 S * 12/2003 Pathiratne D6/492

1 Claim, 2 Drawing Sheets



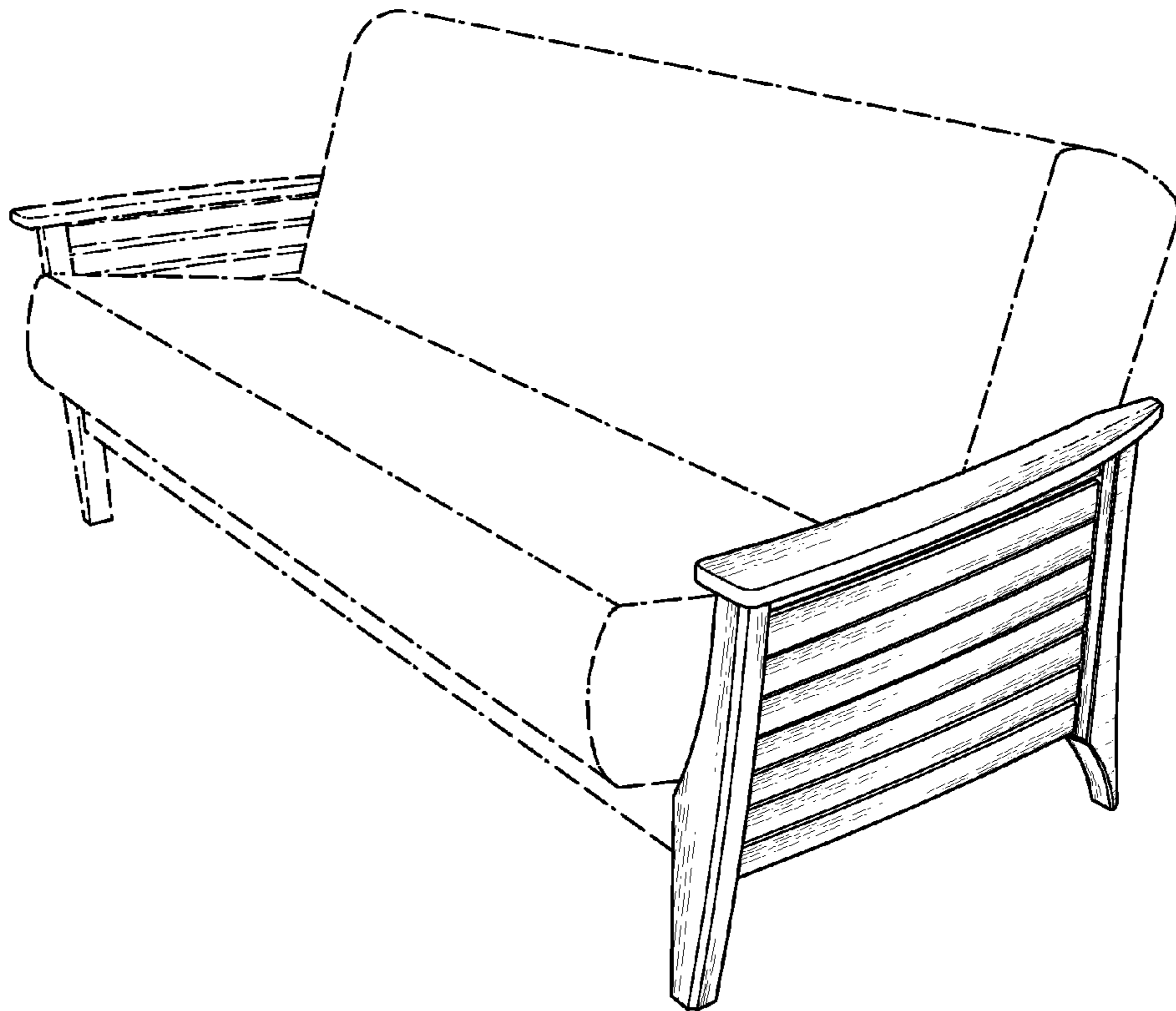


FIG. 1

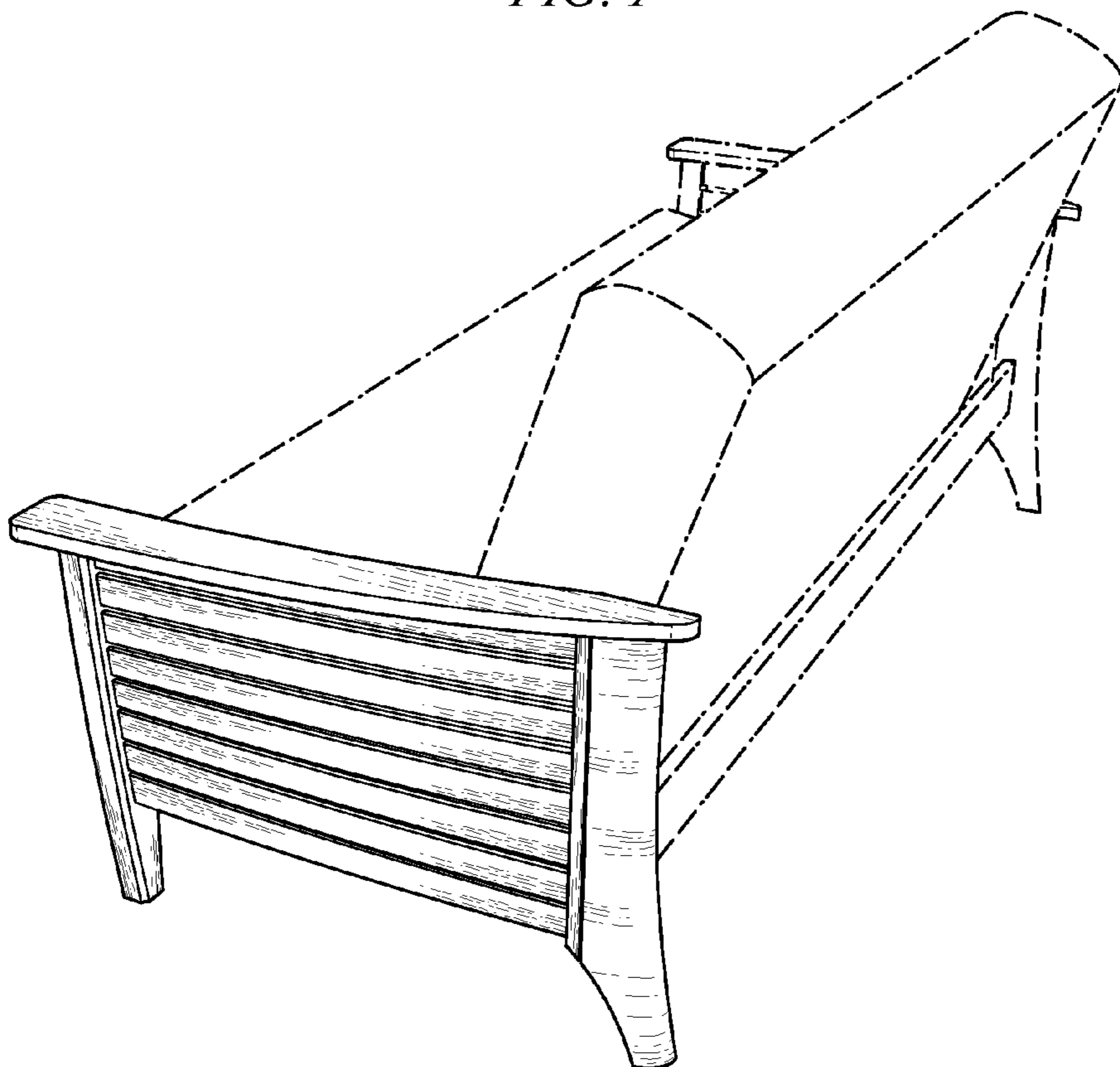


FIG. 2

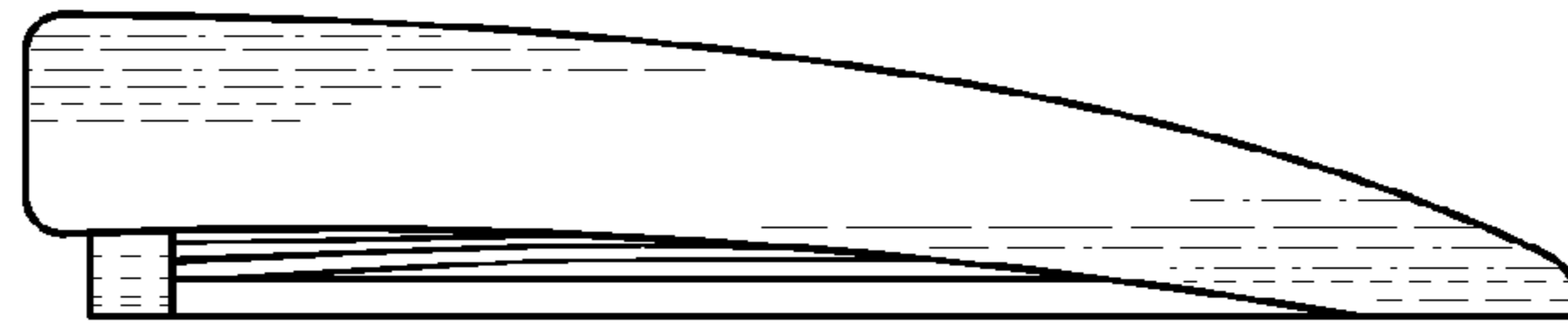


FIG. 3

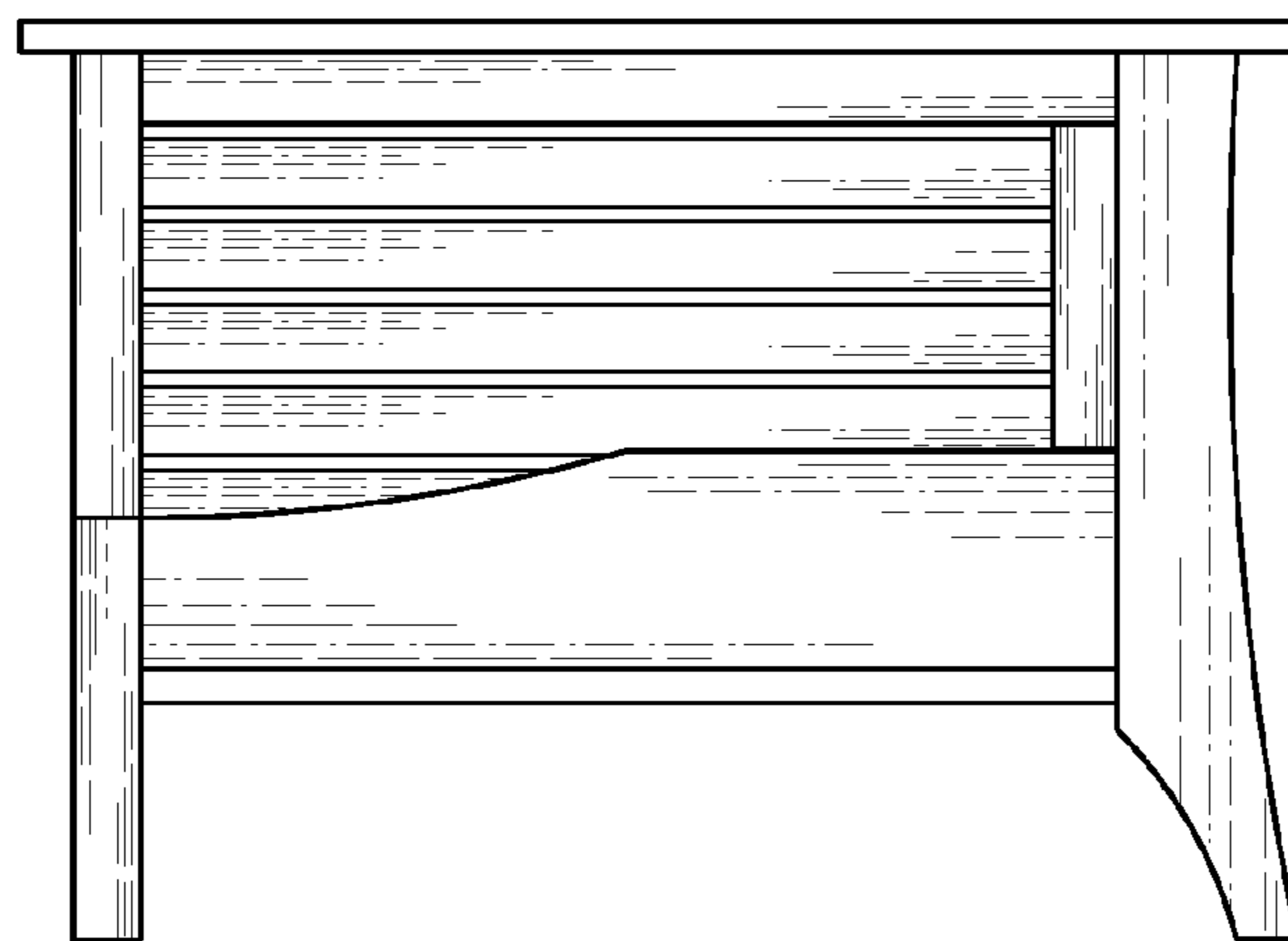


FIG. 4

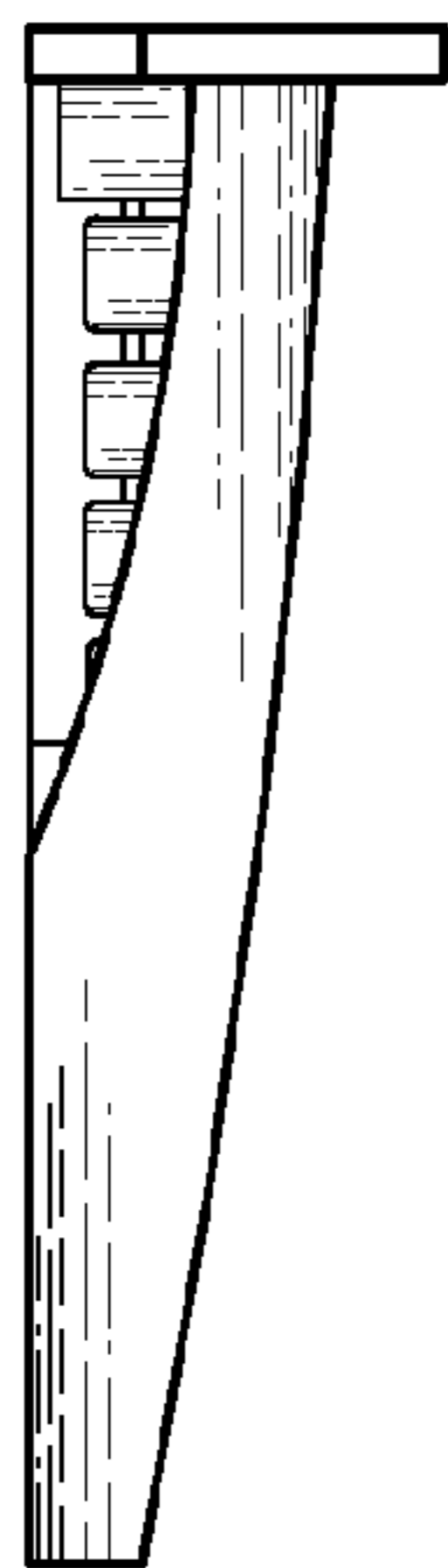


FIG. 5

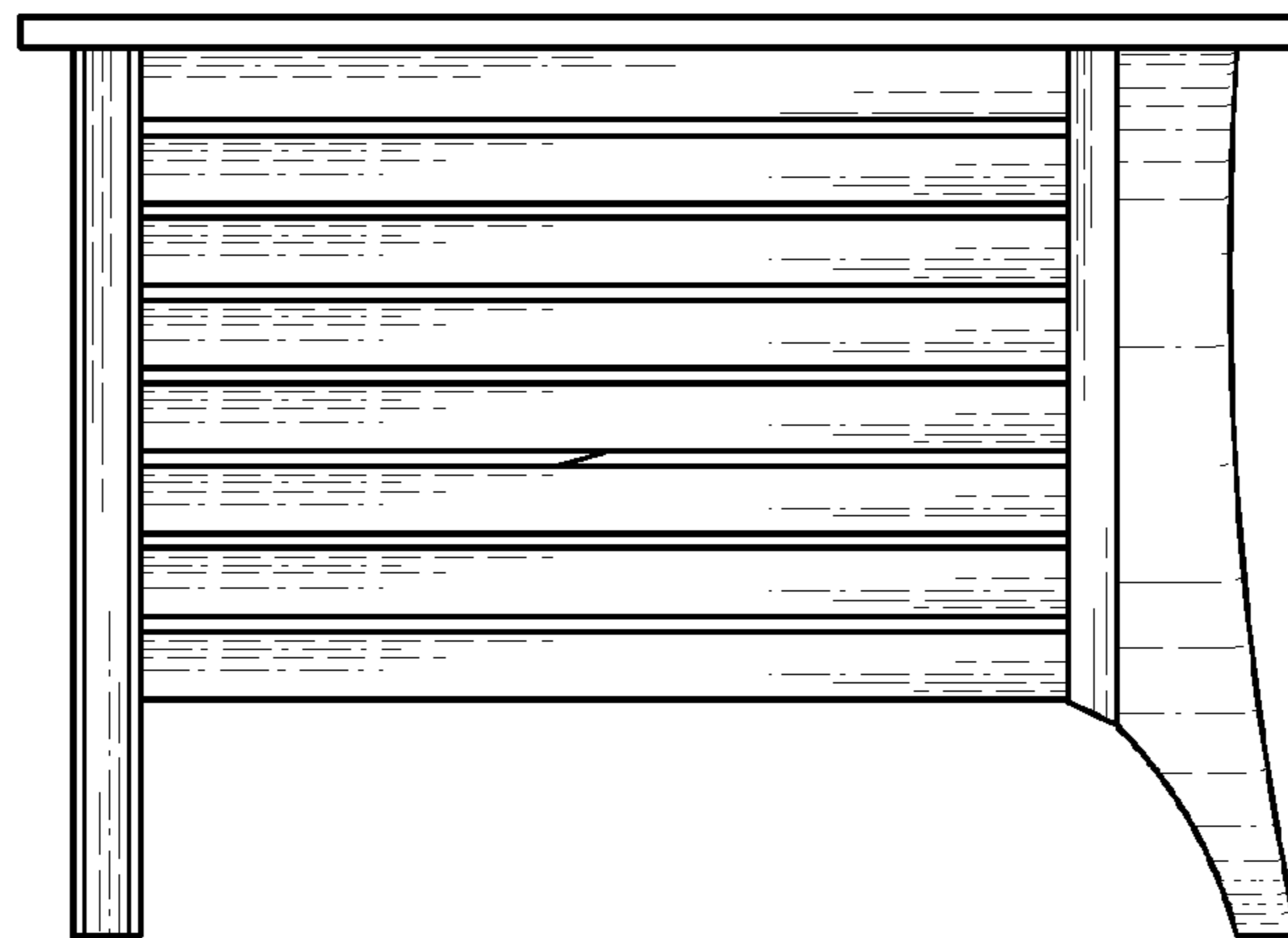


FIG. 6

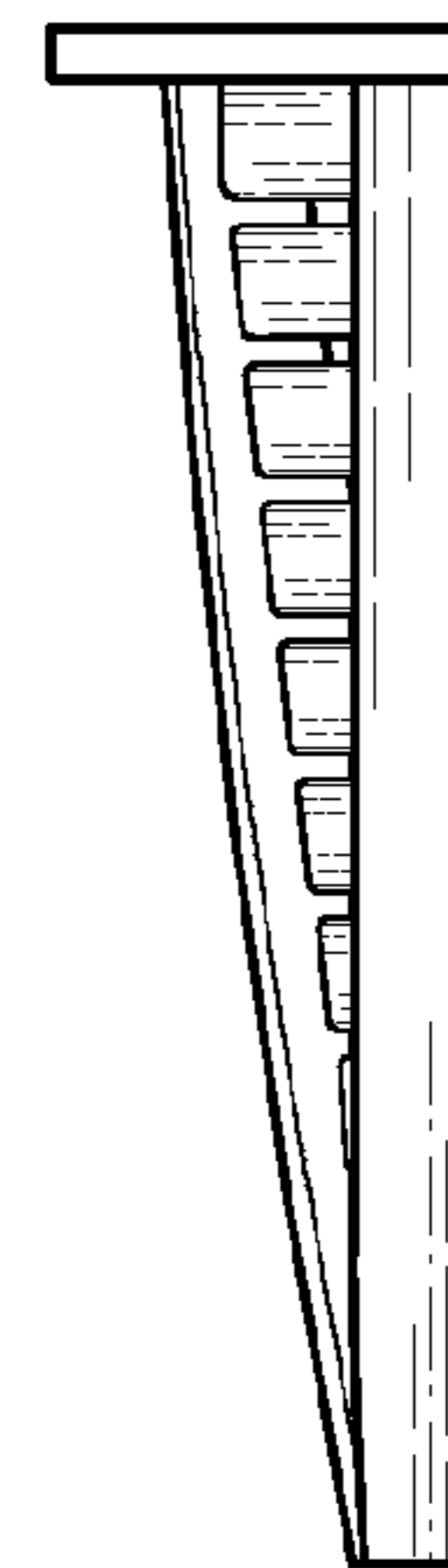


FIG. 7