



US00D574637S

(12) **United States Design Patent**
Porter et al.

(10) **Patent No.:** **US D574,637 S**

(45) **Date of Patent:** **** Aug. 12, 2008**

(54) **COUCH ARM**

D480,584 S * 10/2003 Pathiratne D6/492
D489,202 S * 5/2004 Lawson D6/492
D501,340 S * 2/2005 Grossman et al. D6/492

(75) Inventors: **Howard Porter**, Kuala Lumpur (MY);
Mike Gallawa, Ridgefield, WA (US);
Joel Grossman, Selangor (MY)

* cited by examiner

(73) Assignee: **Night and Day Furniture LLC**,
Vancouver, WA (US)

Primary Examiner—Sandra Snapp
(74) *Attorney, Agent, or Firm*—Harness Dickey & Pierce,
P.L.C.

(**) Term: **14 Years**

(57) **CLAIM**

(21) Appl. No.: **29/281,113**

The ornamental design for a couch arm, as shown and described.

(22) Filed: **Jun. 15, 2007**

(51) **LOC (8) Cl.** **06-01**

(52) **U.S. Cl.** **D6/492**

(58) **Field of Classification Search** D6/334,
D6/335, 375, 381, 492, 500–502, 337, 341,
D6/343, 357; 297/63–65, 232–233, 283.2,
297/300.1, 311, 353, 354.1, 411.2, 445.1,
297/448.1, 452.48; 5/12.1, 12.2

See application file for complete search history.

DESCRIPTION

FIG. 1 is a front, top and left side perspective view of a couch arm showing my new design;

FIG. 2 is a front, top and left side perspective view thereof showing a fold-out portion extended;

FIG. 3 is a rear, top and right side perspective view thereof;

FIG. 4 is a rear, top and right side perspective view thereof showing fold-out portions extended;

FIG. 5 is a rear elevational view thereof;

FIG. 6 is a right side elevational view thereof showing fold-out portions extended, the left side elevational view is a mirror image thereof;

FIG. 7 is a front elevational view thereof; and,

FIG. 8 is a right side elevational view thereof, the left side elevational view is a mirror image thereof.

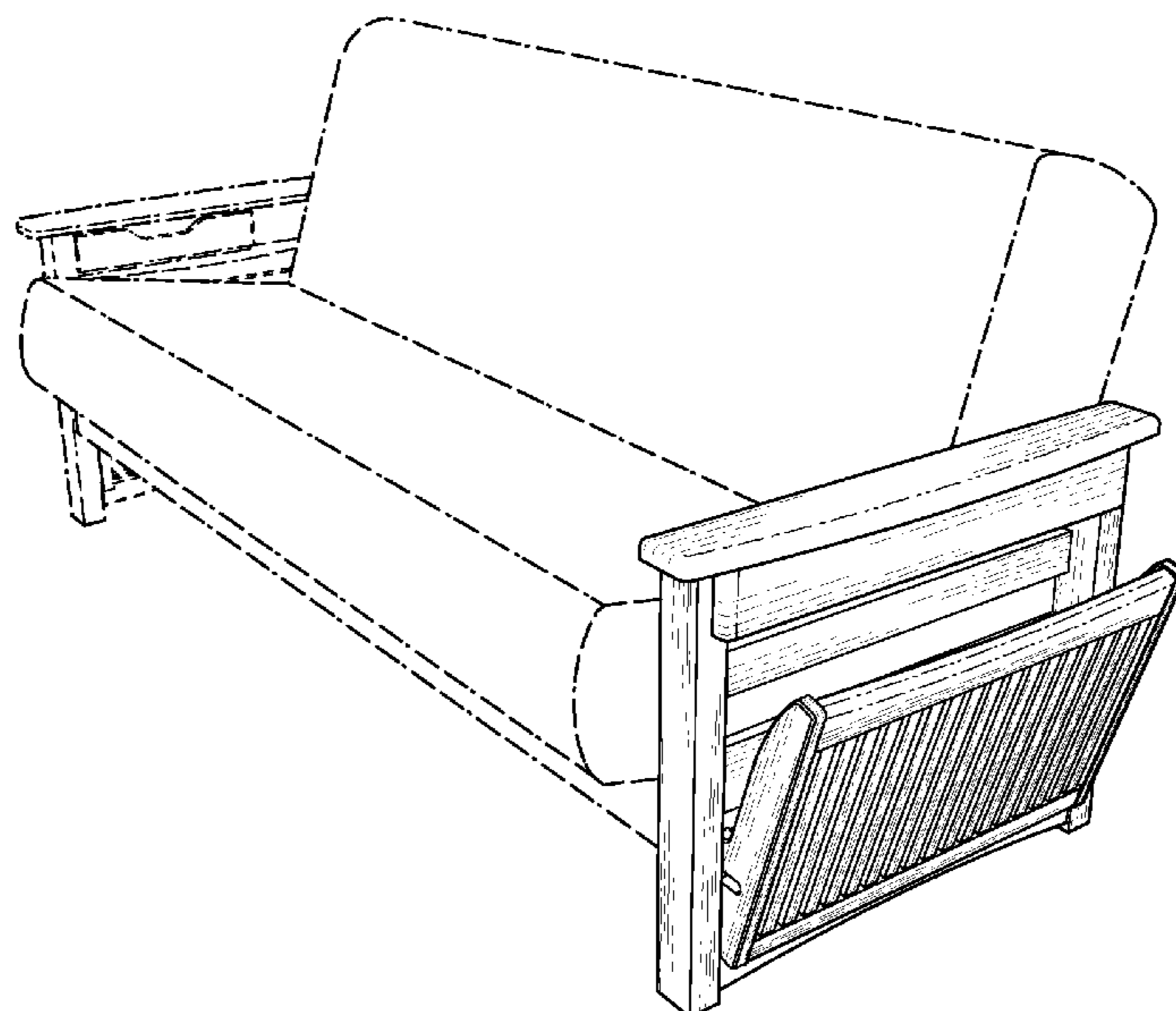
The bottom plan view is not illustrated as it forms no part of the claimed design. The broken lines shown in the drawings are for illustrative purposes only and form no part of the claimed design.

(56) **References Cited**

U.S. PATENT DOCUMENTS

D244,109 S *	4/1977	Zola	D6/334
D353,721 S *	12/1994	Lowman	D6/379
D360,538 S *	7/1995	Skalka	D6/370
D425,339 S *	5/2000	Schlichter et al.	D6/492
D426,407 S *	6/2000	Schlichter et al.	D6/492
D458,775 S *	6/2002	Desnoyers	D6/492
D462,857 S *	9/2002	Pathiratne	D6/492
D463,171 S *	9/2002	Pathiratne	D6/492
D463,689 S *	10/2002	Pathiratne	D6/492
D464,512 S *	10/2002	Pathiratne	D6/492
D465,112 S *	11/2002	Pathiratne	D6/492
D465,671 S *	11/2002	Sheil et al.	D6/381
D465,676 S *	11/2002	Pathiratne	D6/492

1 Claim, 3 Drawing Sheets



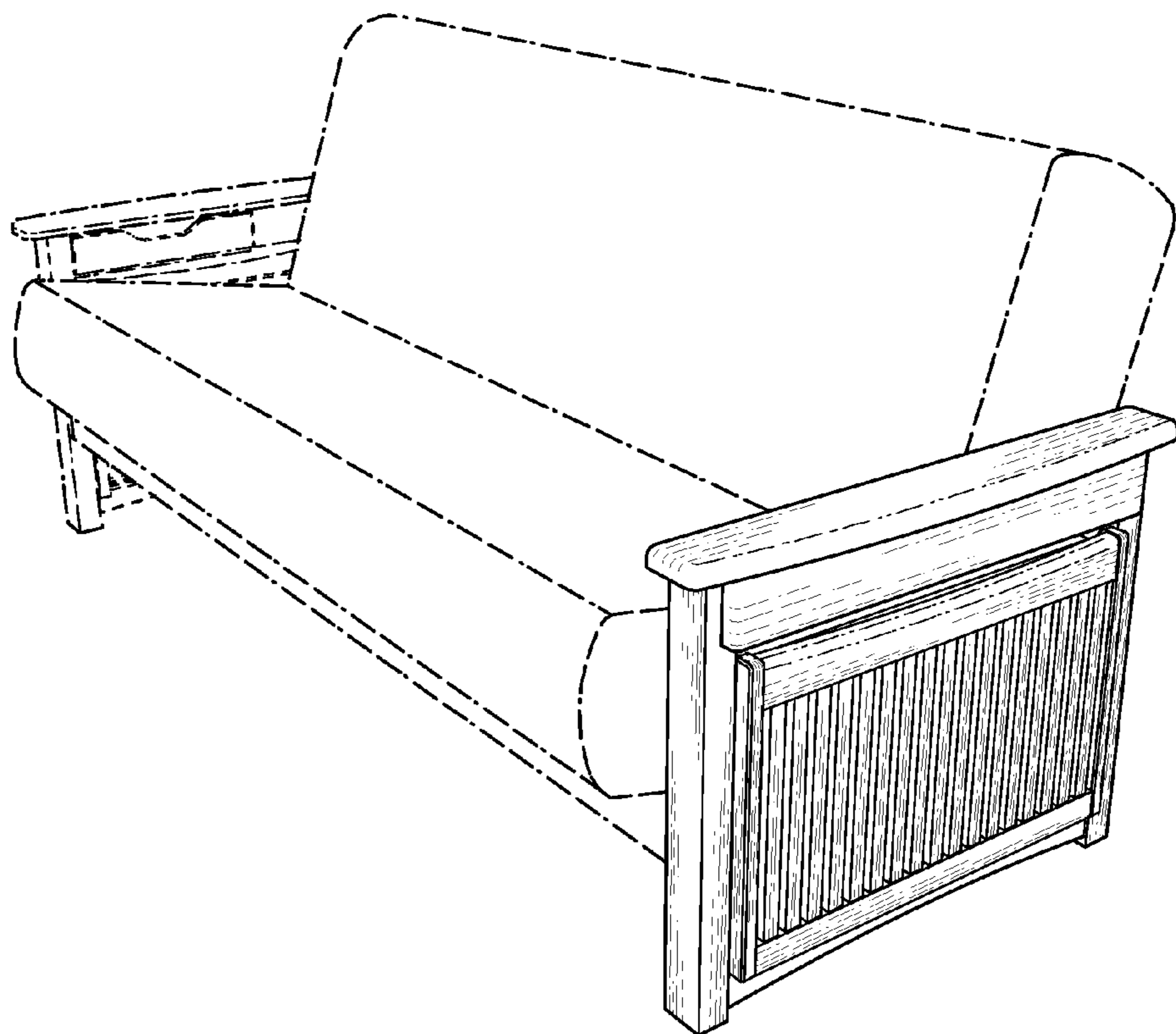


FIG. 1

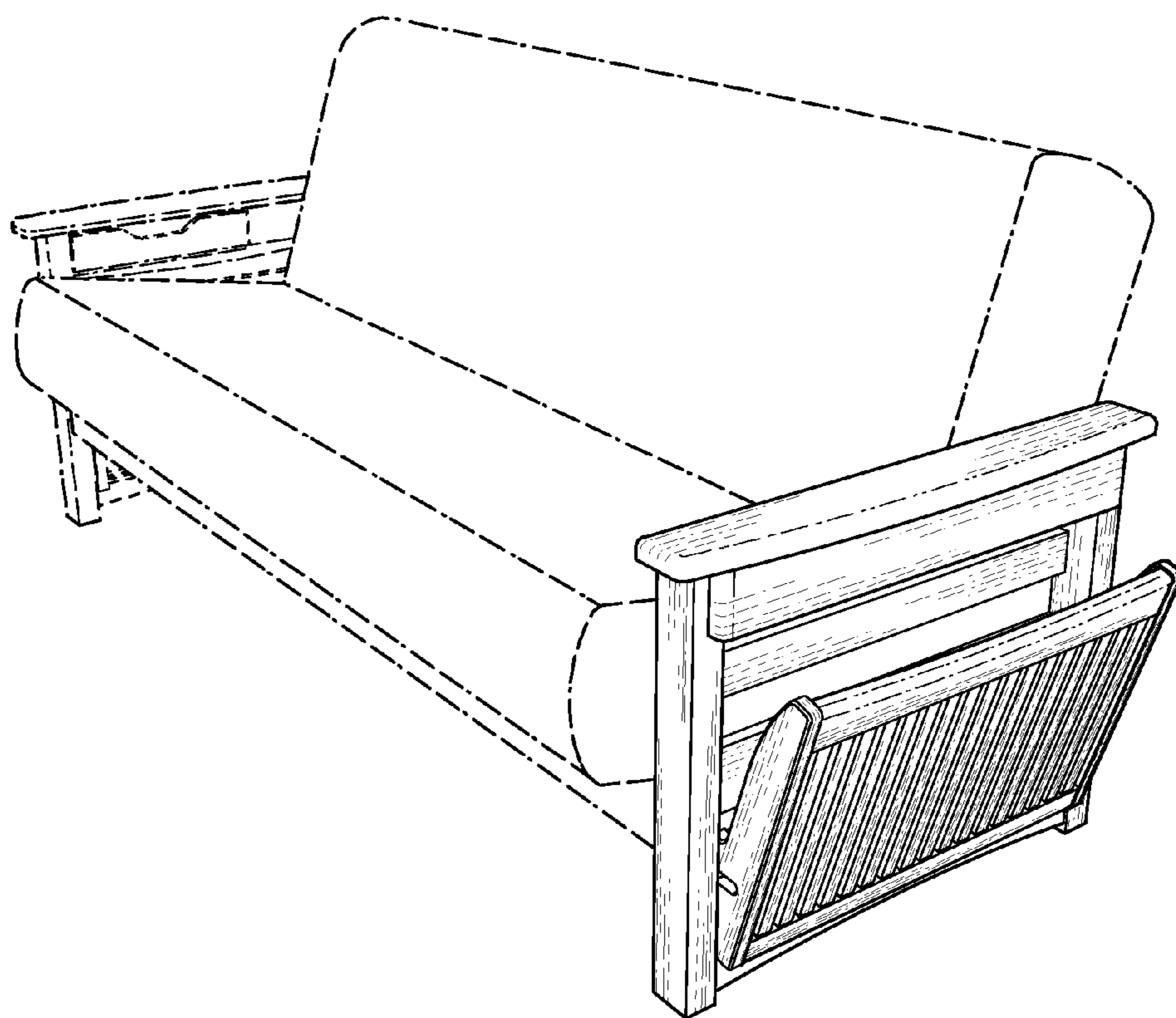


FIG. 2

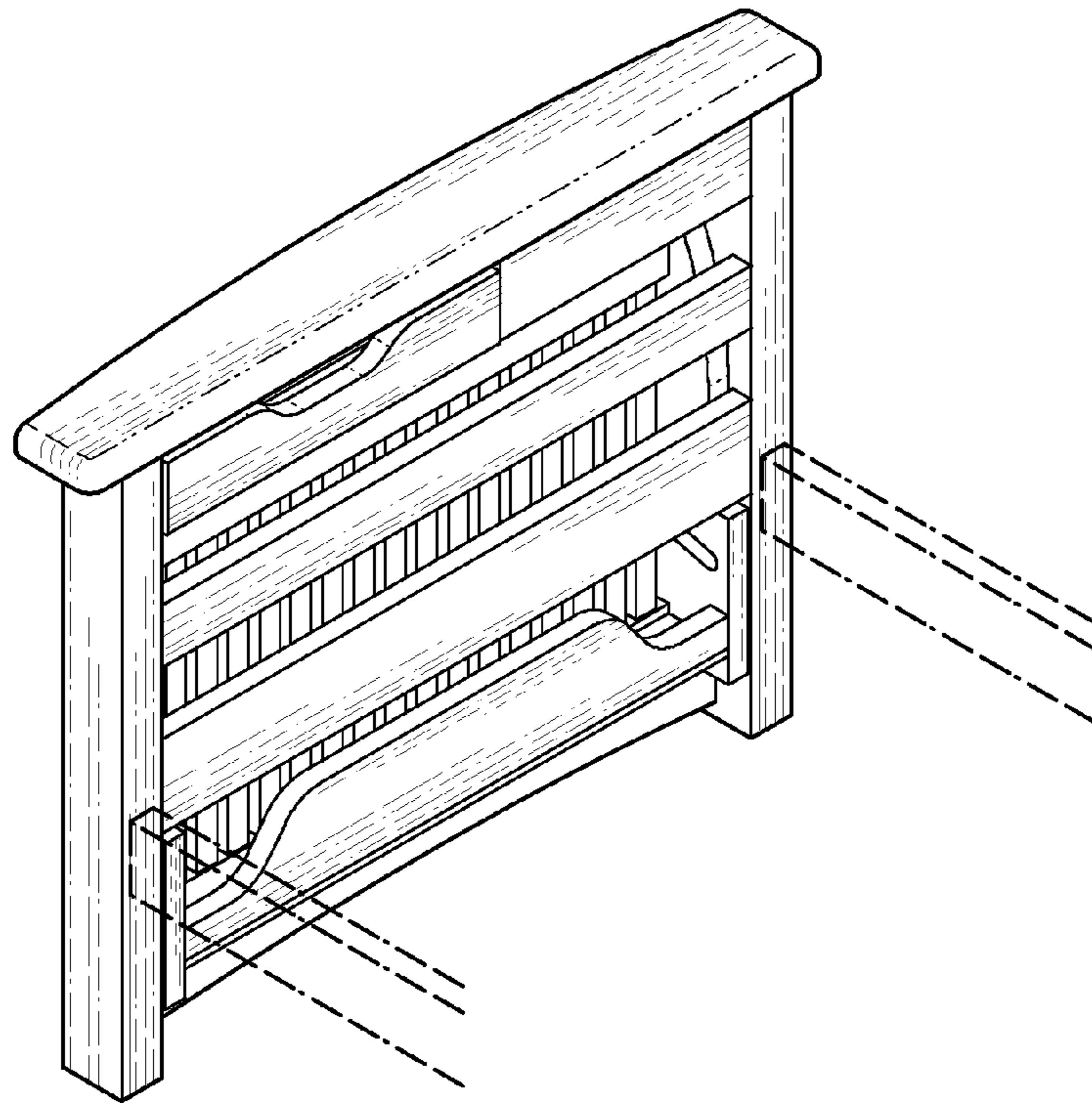


FIG. 3

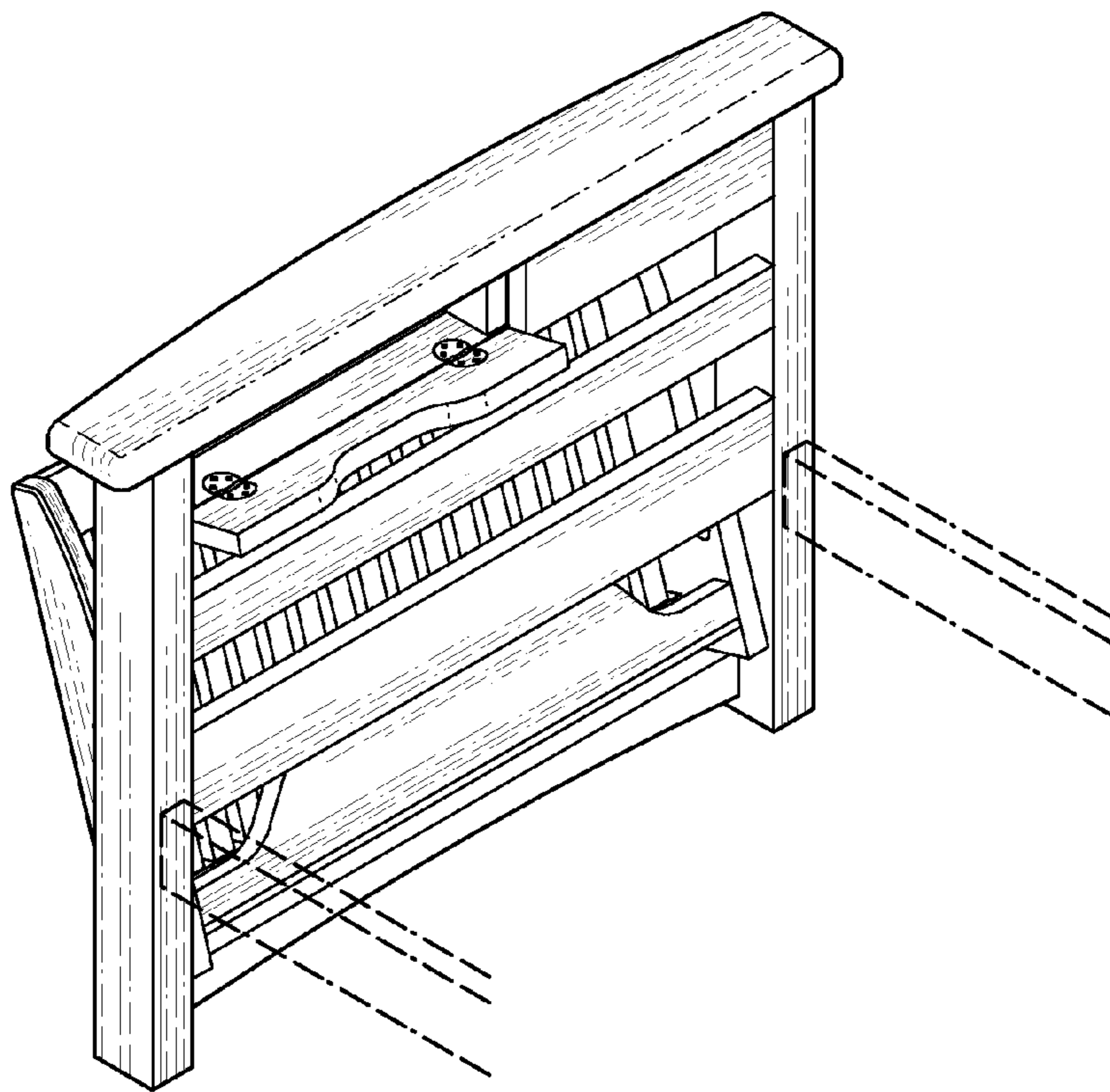


FIG. 4

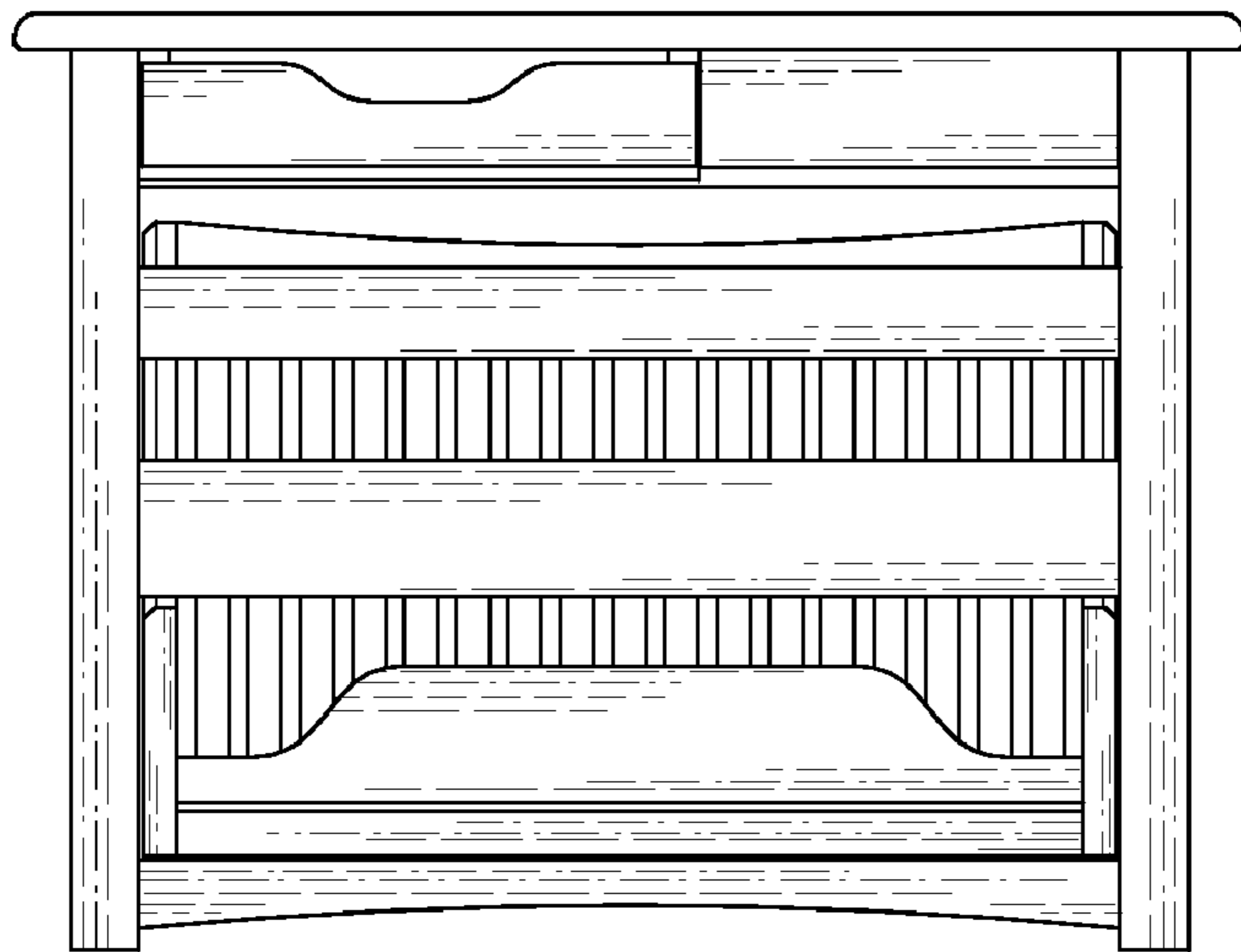


FIG. 5

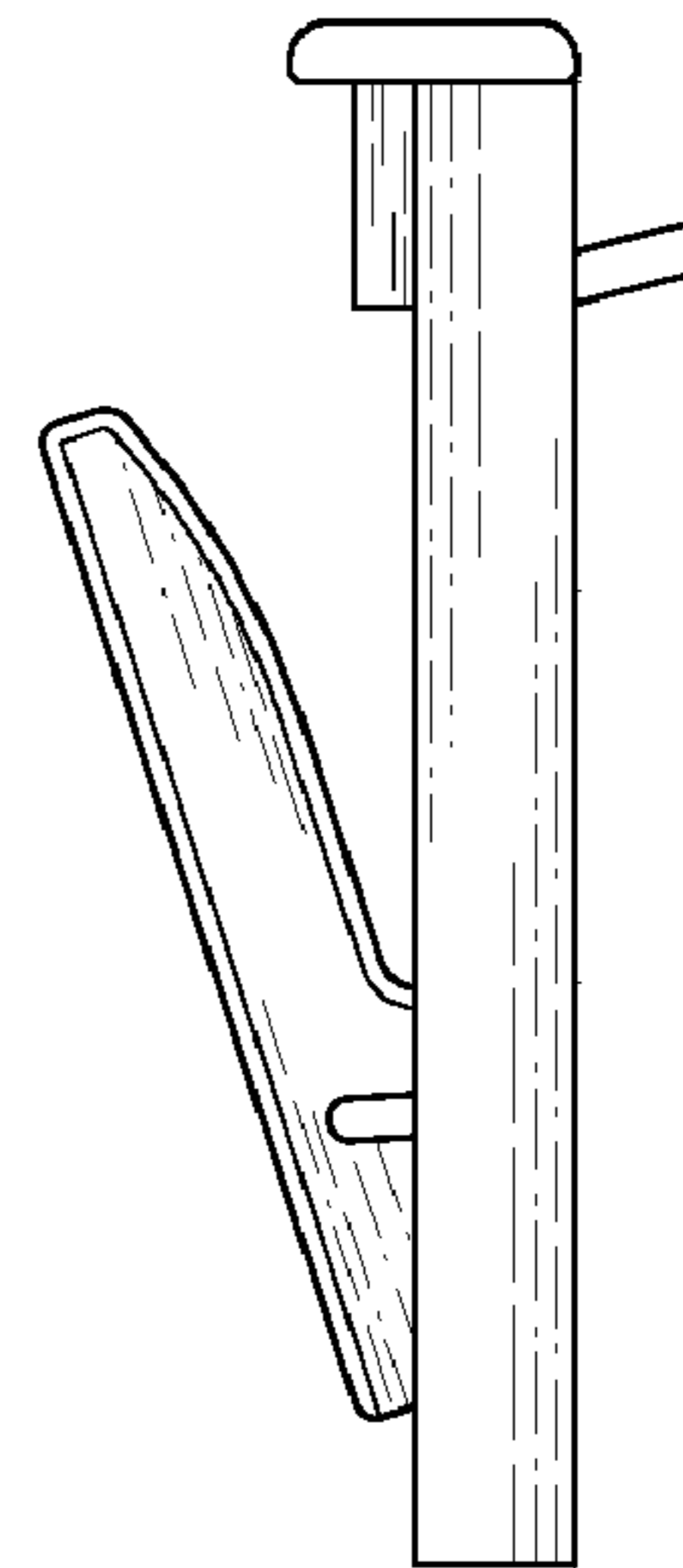


FIG. 6

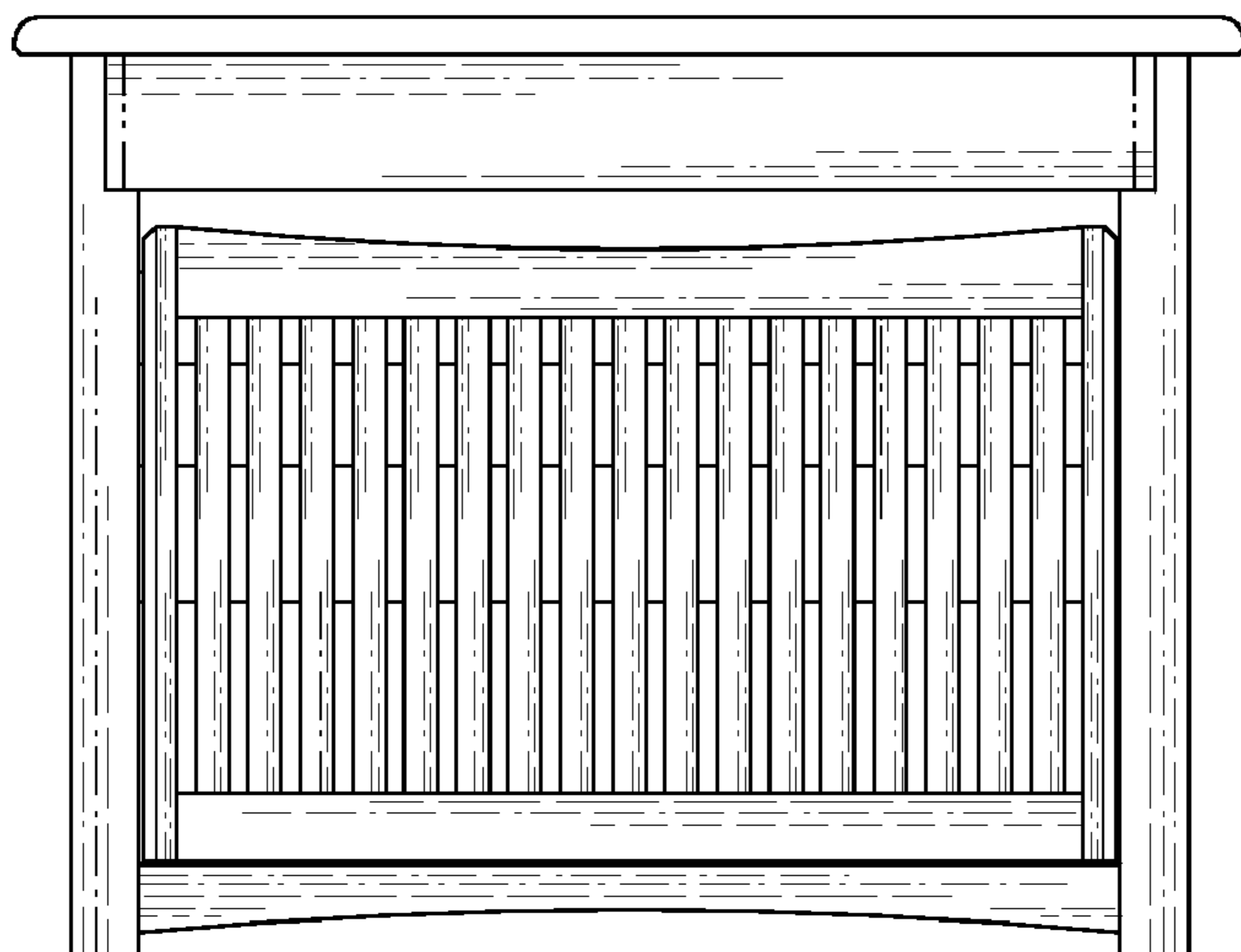


FIG. 7



FIG. 8