

US00D574636S

(12) **United States Design Patent**
Peng

(10) **Patent No.:** **US D574,636 S**

(45) **Date of Patent:** **** Aug. 12, 2008**

(54) **SWIVEL SEAT BASE**

2007/0241601 A1* 10/2007 Guerrini 297/344.21

(76) Inventor: **I-Sin Peng**, No. 410, Sec. 2, Henan Rd.,
Situn District, Taichung City 407 (TW)

* cited by examiner

Primary Examiner—Robert M. Spear
Assistant Examiner—Katrina A Kile
(74) *Attorney, Agent, or Firm*—Troxell Law Office, PLLC

(**) Term: **14 Years**

(21) Appl. No.: **29/273,618**

(57) **CLAIM**

(22) Filed: **Mar. 9, 2007**

The ornamental design for a swivel seat base, as shown and described.

(51) **LOC (8) Cl.** **06-01**

(52) **U.S. Cl.** **D6/491**

(58) **Field of Classification Search** D6/491,
D6/334–336, 364–367, 379, 495, 500–502;
248/161, 578; 297/344.18, 344.21, 344.22,
297/463.1, 300.1, 300.2, 300.5, 300.8, 301.1–301.4,
297/301.7

See application file for complete search history.

DESCRIPTION

FIG. 1 is a top plan view thereof;
FIG. 2 is a front elevation view thereof;
FIG. 3 is a bottom plan view thereof;
FIG. 4 is a rear elevation view thereof;
FIG. 5 is a left side view thereof;
FIG. 6 is a right side view thereof; and
FIG. 7 is a perspective view of a swivel seat base showing my new design; and,
FIG. 8 and FIG. 9 show the applications of the present invention.

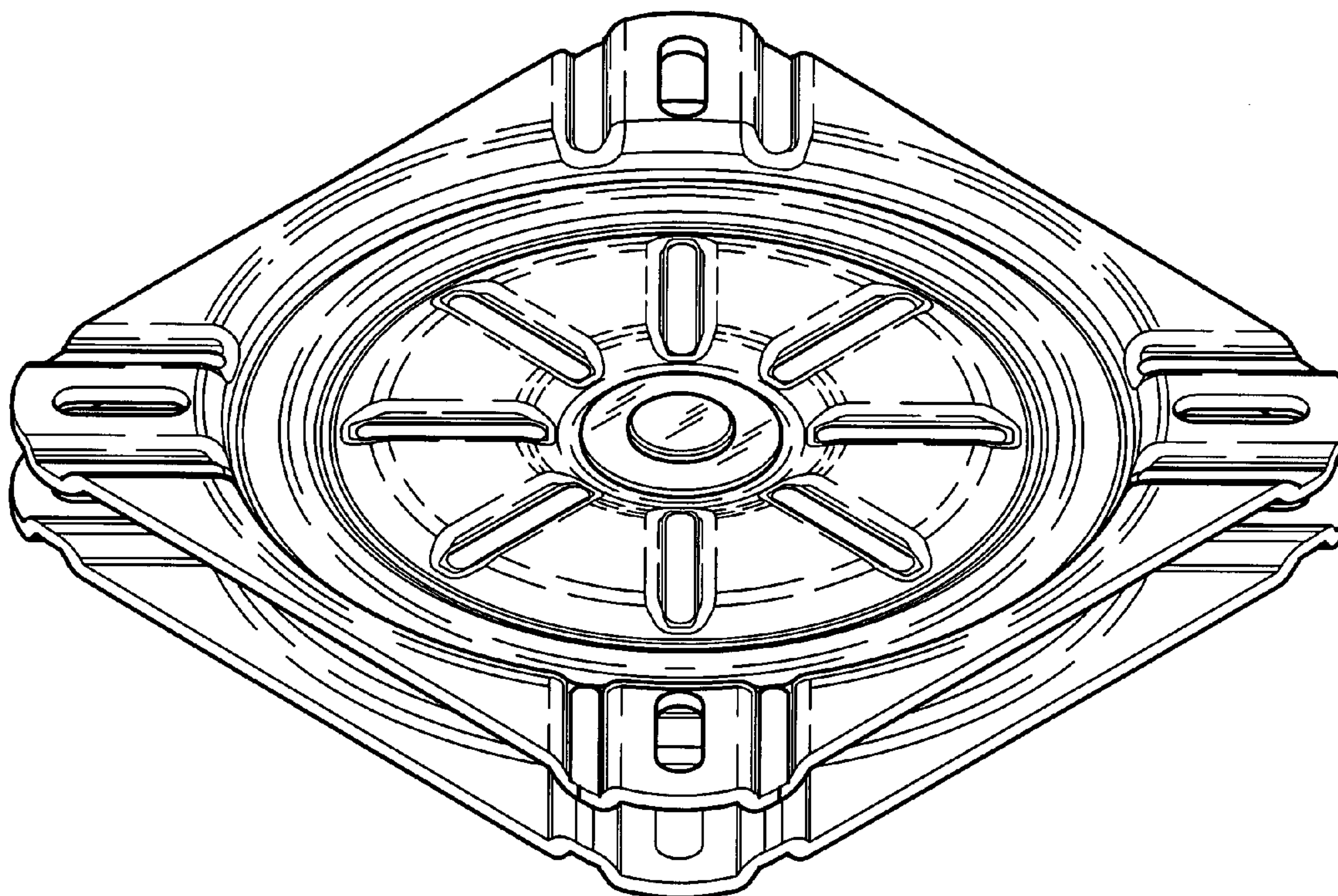
In the drawings, the broken lines depict environmental subject matter only and form no part of the claimed design.

(56) **References Cited**

U.S. PATENT DOCUMENTS

1,803,063	A *	4/1931	Hultgren	248/425
4,792,188	A *	12/1988	Kawashima	297/344.26
D350,041	S *	8/1994	Schwarzli	D6/495
5,380,064	A *	1/1995	Yamano et al.	297/344.22
D447,365	S *	9/2001	Chi	D6/495
7,328,952	B2 *	2/2008	Guerrini	297/344.21

1 Claim, 6 Drawing Sheets



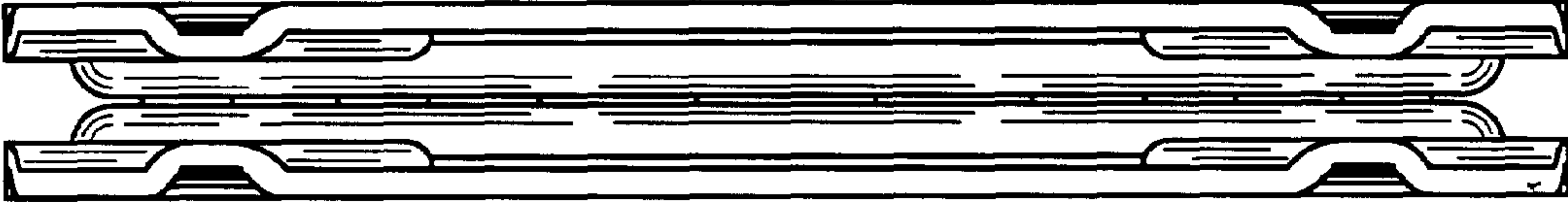


Fig. 1

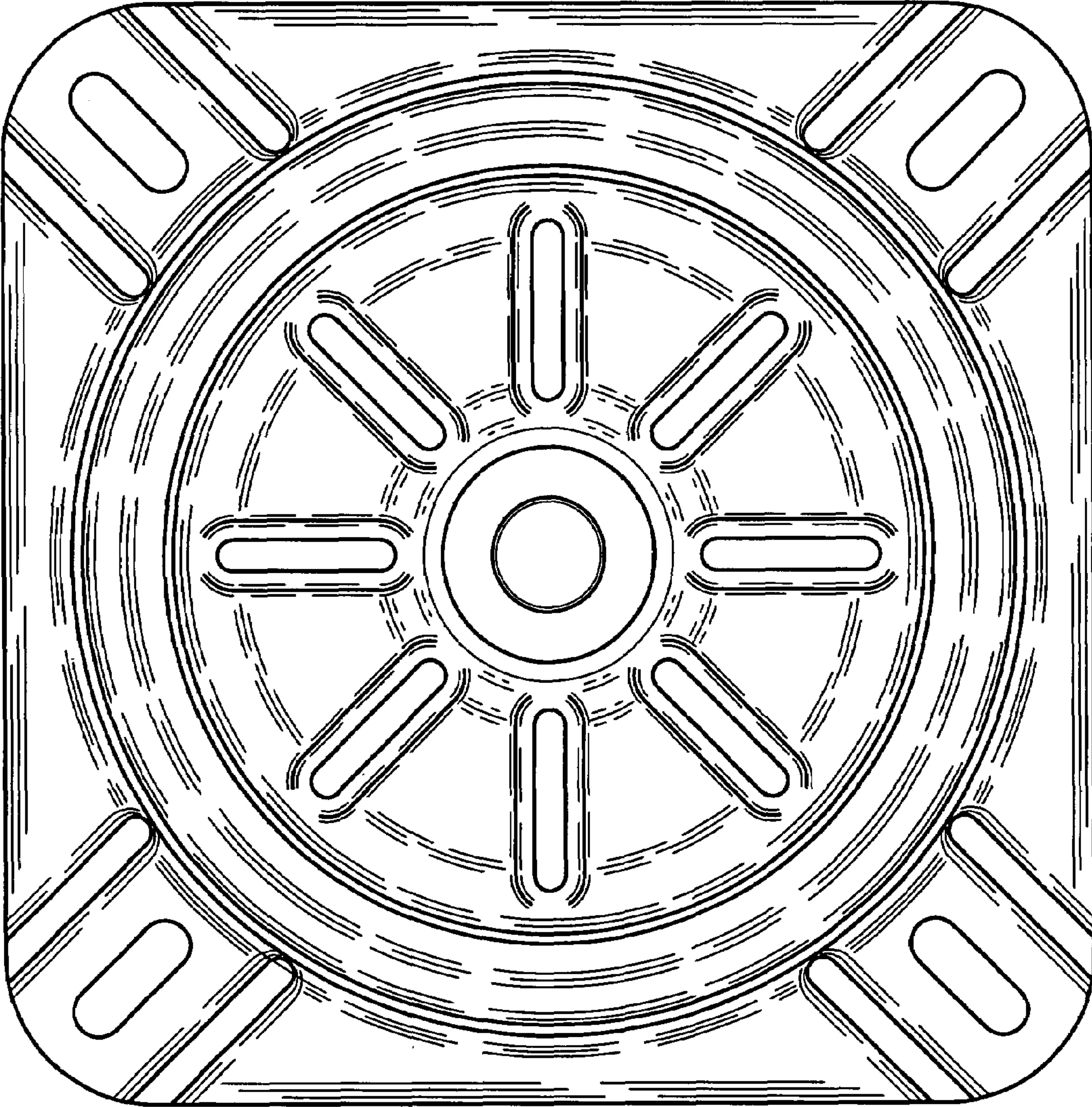


Fig. 2

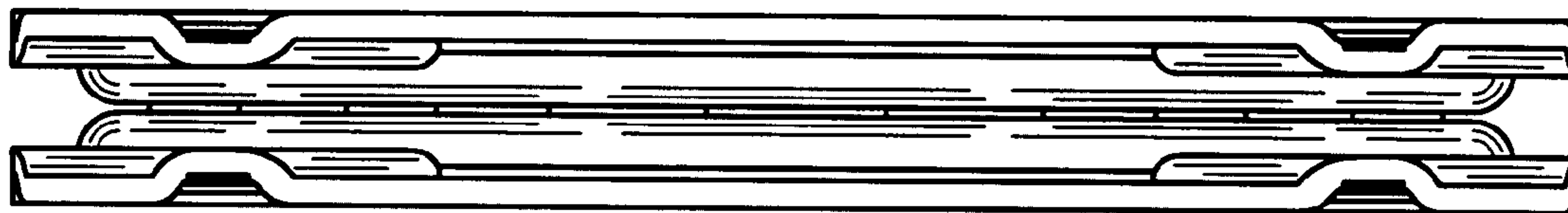


Fig. 3

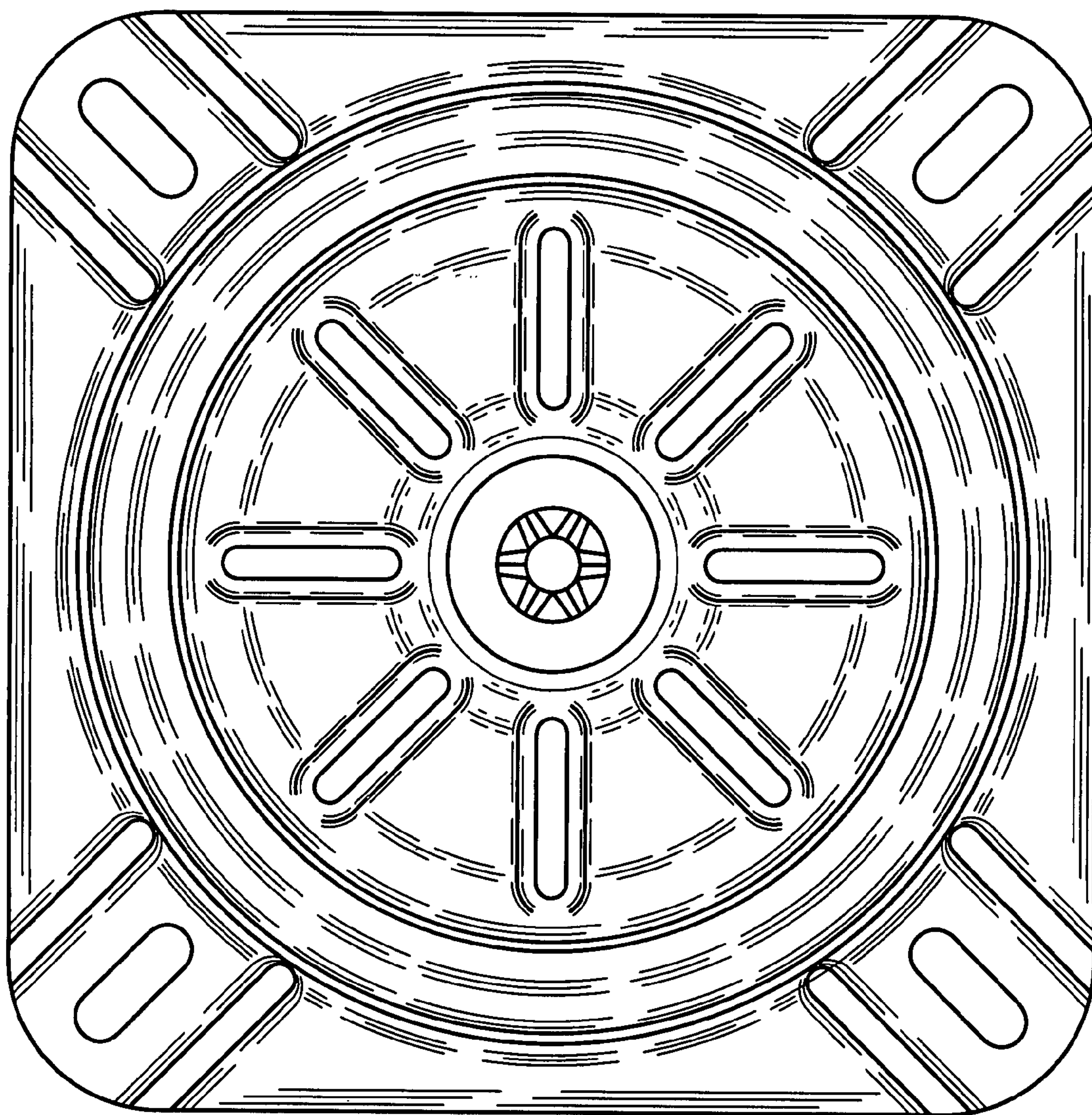


Fig. 4

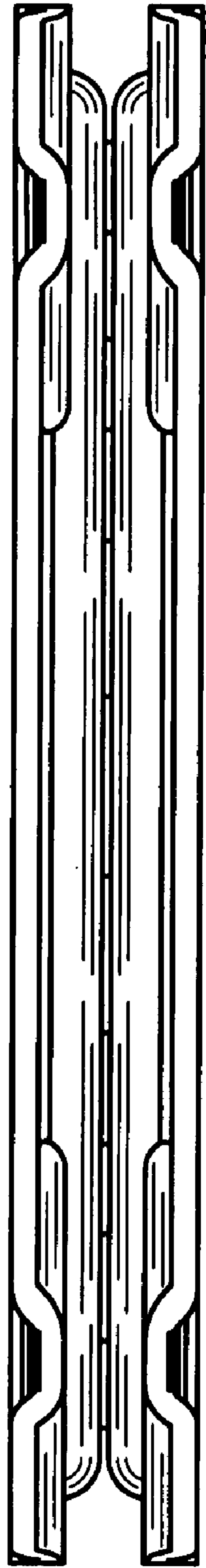


Fig. 5

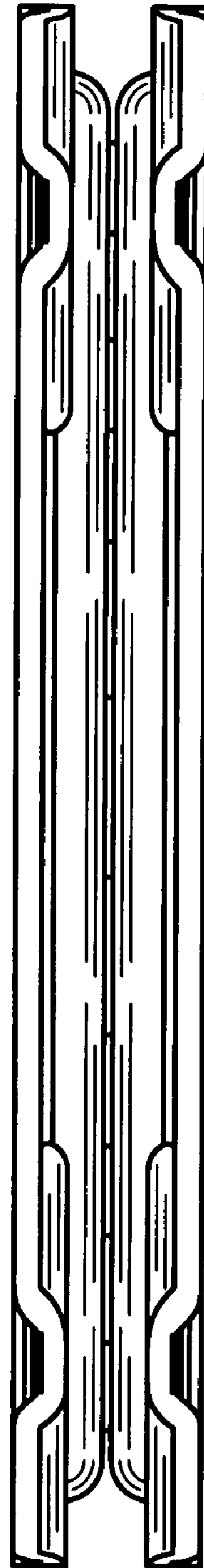


Fig. 6

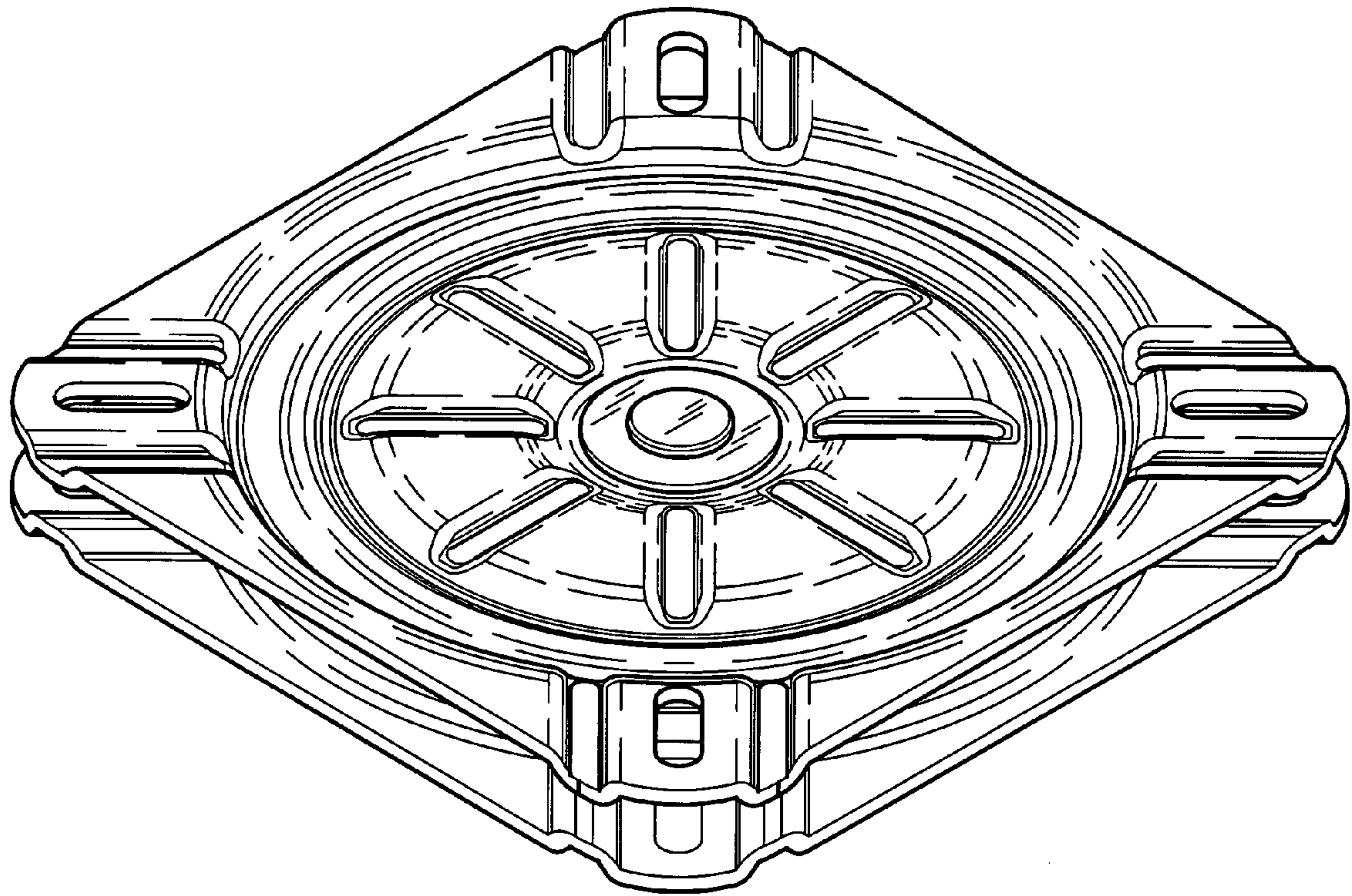


Fig. 7

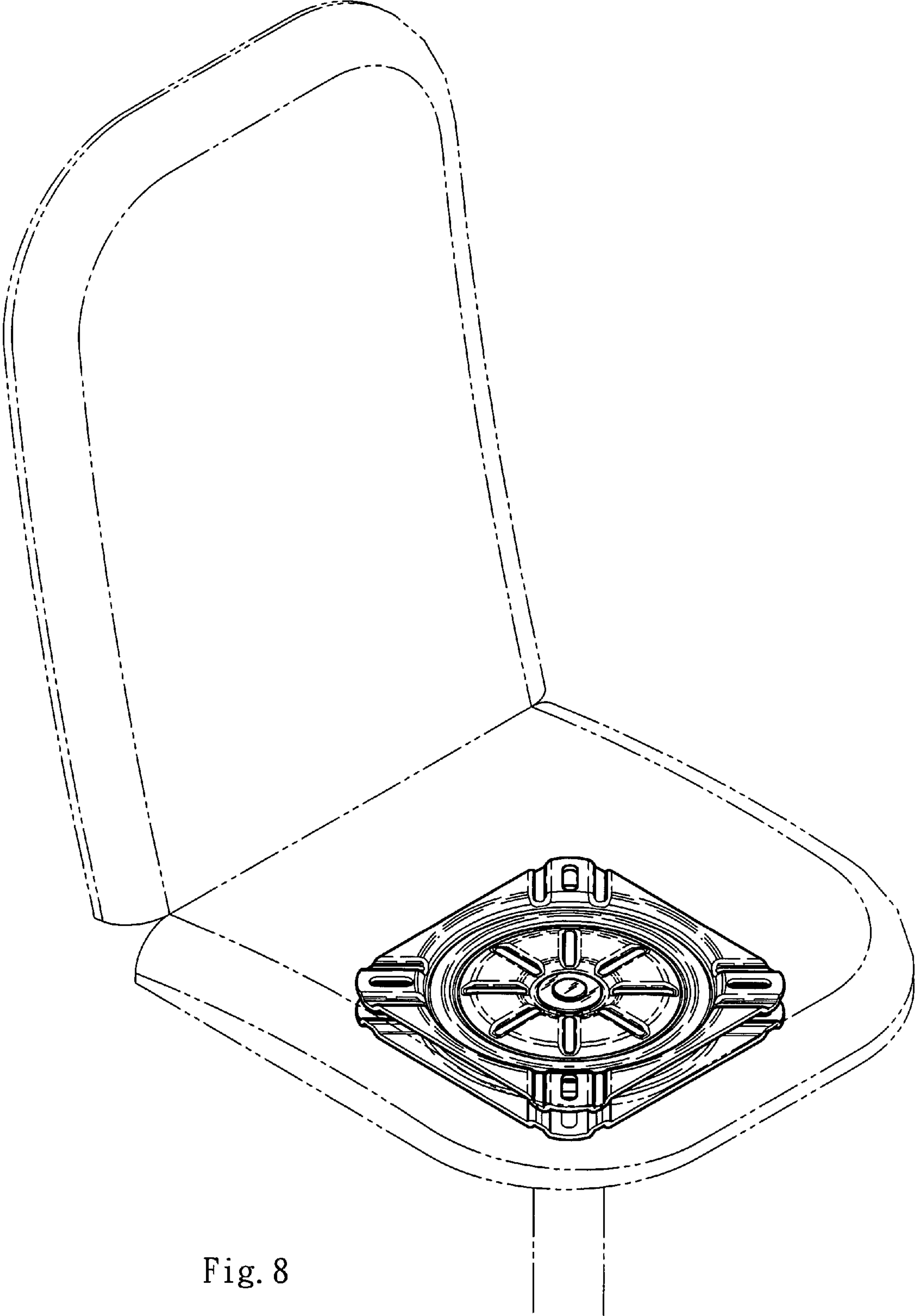


Fig. 8

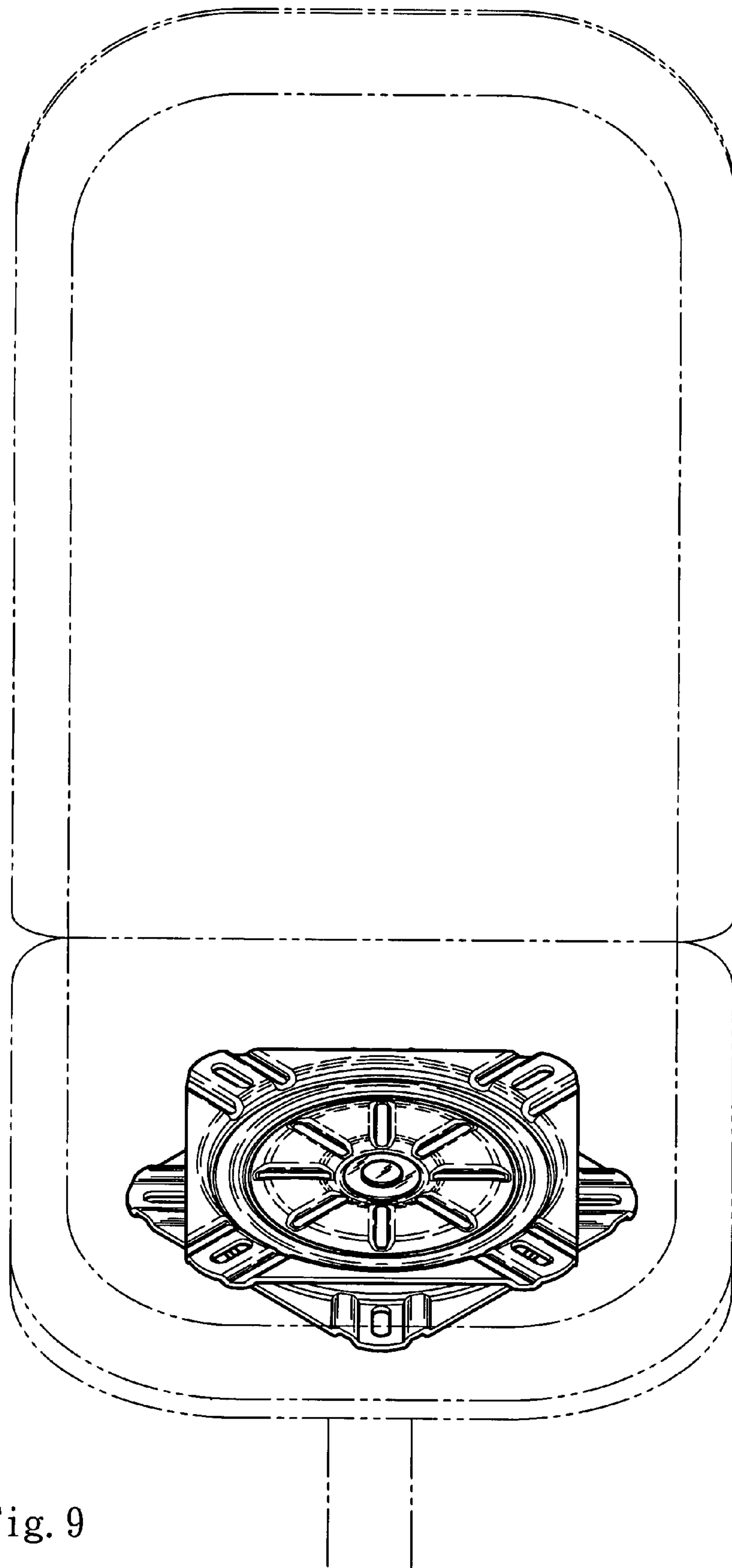


Fig. 9