

US00D574633S

(12) **United States Design Patent**
Takami et al.

(10) **Patent No.:** **US D574,633 S**

(45) **Date of Patent:** **** Aug. 12, 2008**

(54) **TELEVISION SET STAND**

(75) Inventors: **Mitsuru Takami**, Kadoma (JP); **Satoshi Tanigawa**, Kadoma (JP); **Tomohiro Ohba**, Kadoma (JP)

(73) Assignee: **Matsushita Electric Industrial Co., Ltd.**, Osaka (JP)

(**) Term: **14 Years**

(21) Appl. No.: **29/273,289**

(22) Filed: **Mar. 1, 2007**

(30) **Foreign Application Priority Data**

Sep. 12, 2006 (JP) 2006-024310

(51) **LOC (8) Cl.** **06-04**

(52) **U.S. Cl.** **D6/479**

(58) **Field of Classification Search** D6/473-474,
D6/477-479, 460-461, 468; 108/91-92,
108/59, 96; 211/40, 41.12, 42, 49.1, 50,
211/85.2, 90.04, 187, 190

See application file for complete search history.

(56) **References Cited**

U.S. PATENT DOCUMENTS

- D436,087 S * 1/2001 Takami et al. D14/126
- D457,507 S * 5/2002 Lim et al. D14/133
- D477,292 S * 7/2003 Inoue et al. D14/129
- D483,966 S * 12/2003 Forlenza et al. D6/474
- D486,804 S 2/2004 Takami et al.
- D488,141 S 4/2004 Takami et al.
- D488,785 S * 4/2004 Ohba et al. D14/126
- D505,807 S * 6/2005 Goto et al. D6/477
- D506,328 S 6/2005 Inoue
- D515,048 S * 2/2006 Villalobos et al. D14/128
- D515,049 S * 2/2006 Asanuma et al. D14/129
- D515,848 S * 2/2006 Takami et al. D6/477
- D517,837 S * 3/2006 Takatsuki et al. D6/477
- D519,755 S * 5/2006 Luong D6/479

- D525,053 S * 7/2006 Smith D6/477
- D529,317 S * 10/2006 Takatsuki et al. D6/479
- D537,657 S * 3/2007 Fujii et al. D6/477
- D539,057 S * 3/2007 Senda et al. D6/477
- D539,245 S * 3/2007 Bischoff D14/126
- D540,760 S * 4/2007 Macey et al. D16/134
- D543,164 S * 5/2007 Yang et al. D14/126
- D543,166 S * 5/2007 Kuramashi et al. D14/128
- D545,778 S * 7/2007 Isshiki D14/126
- D546,095 S * 7/2007 Sexton D6/477
- D549,194 S * 8/2007 Fujii D14/126
- D551,468 S * 9/2007 Hoglan et al. D6/479

OTHER PUBLICATIONS

Takami et al., U.S. Design Application entitled "Television Receiver," U.S. Appl. No. 29/273,924, filed Mar. 16, 2007.

Takami et al., U.S. Design Application entitled "Television Receiver," U.S. Appl. No. 29/273,926, filed Mar. 16, 2007.

* cited by examiner

Primary Examiner—Elizabeth A. Albert

Assistant Examiner—Kelley A. Donnelly

(74) *Attorney, Agent, or Firm*—Brinks Hofer Gilson & Lione

(57) **CLAIM**

We claim the ornamental design for a television set stand, as shown and described.

DESCRIPTION

FIG. 1 is a top perspective view of a television set stand of the present invention;

FIG. 2 is a front view thereof;

FIG. 3 is a first side view thereof;

FIG. 4 is a second side view thereof;

FIG. 5 is a top view thereof;

FIG. 6 is a rear view thereof; and,

FIG. 7 is a bottom view thereof.

1 Claim, 3 Drawing Sheets

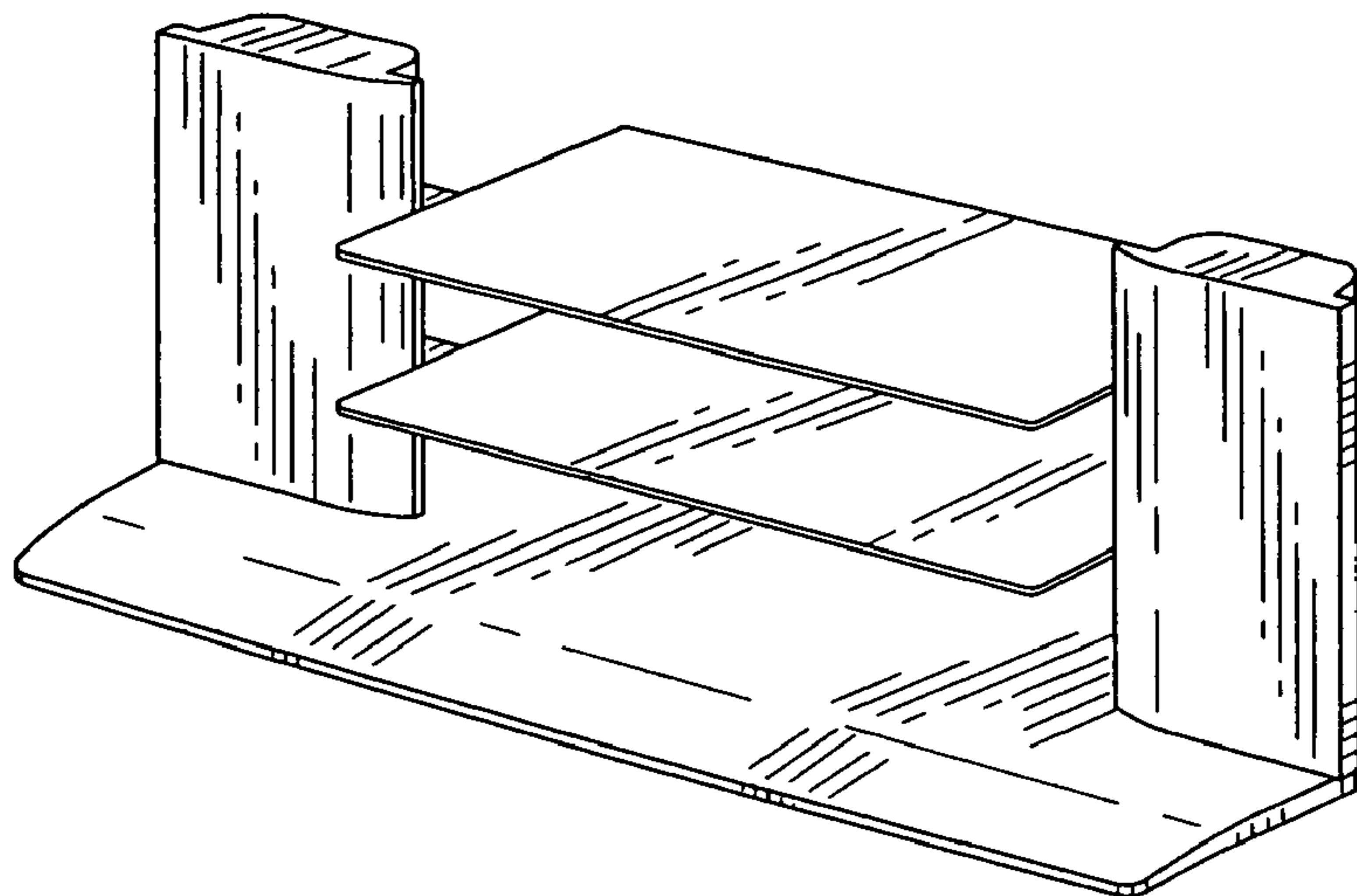


FIG.1

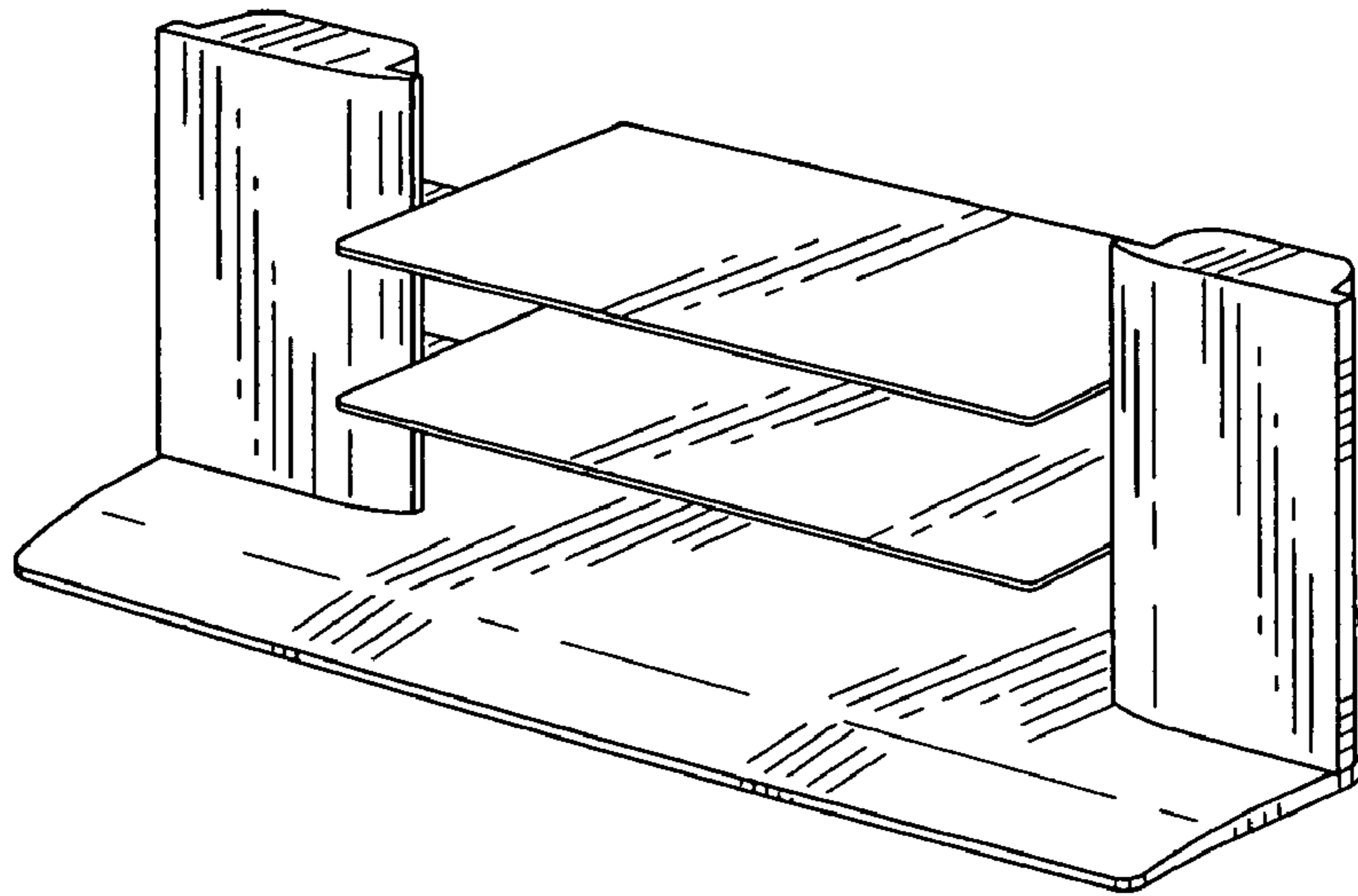


FIG.2

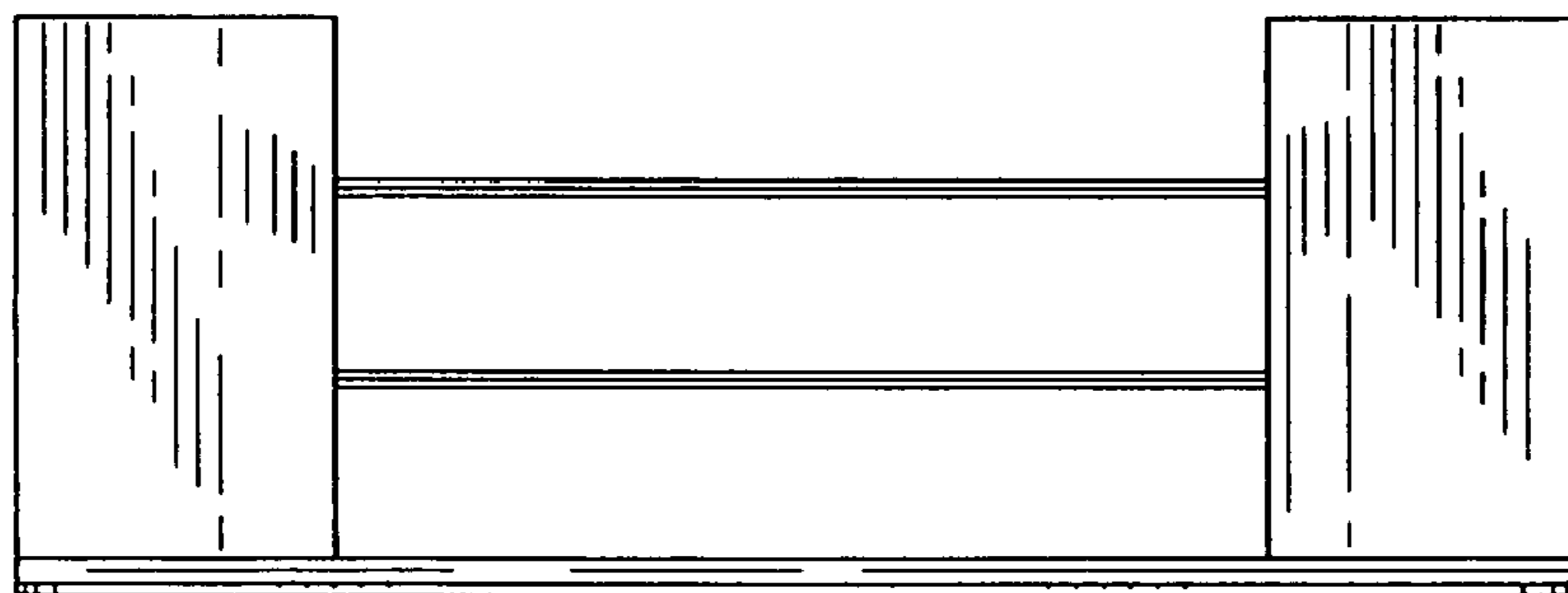


FIG.3

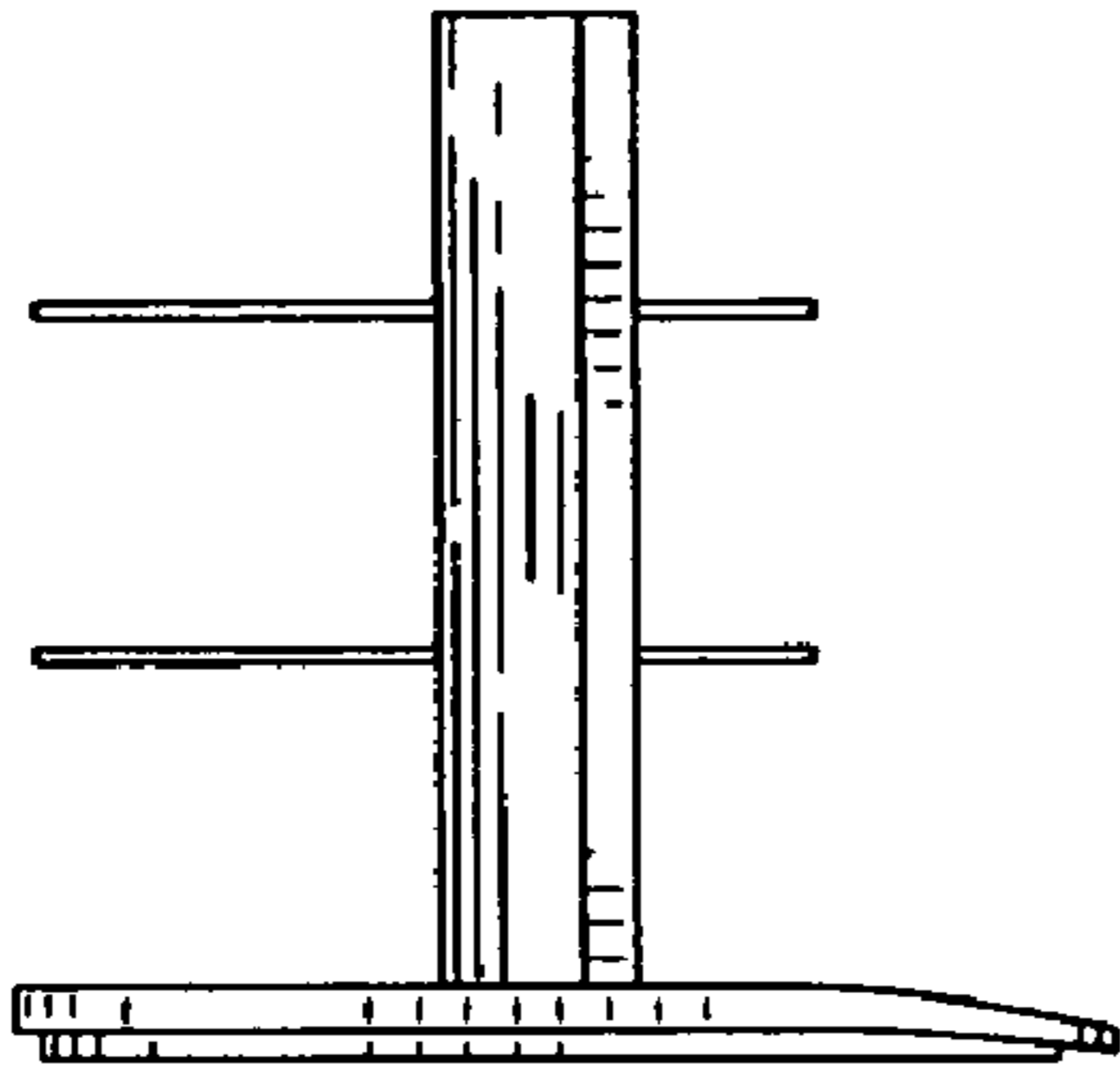


FIG.4

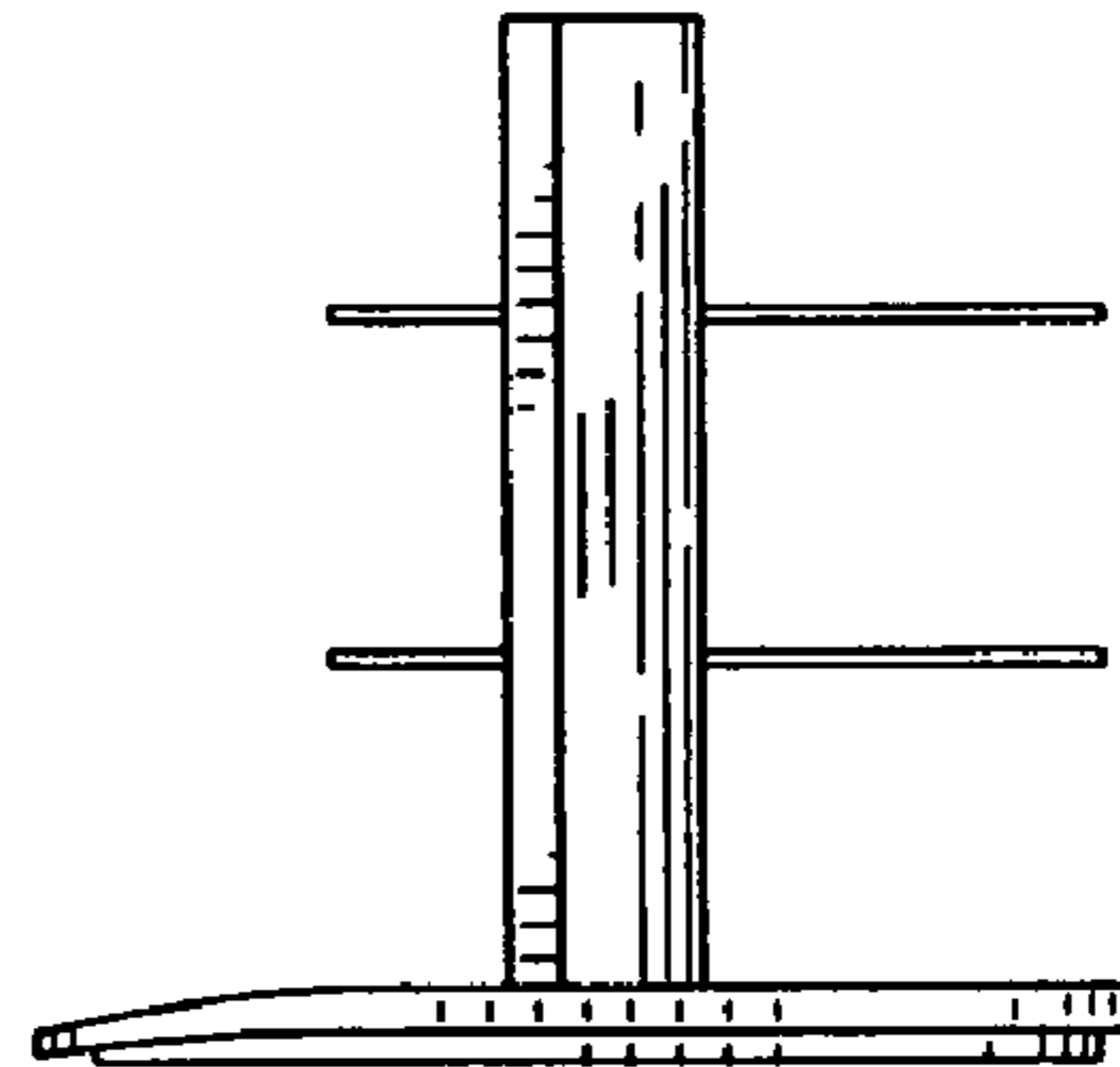


FIG.5

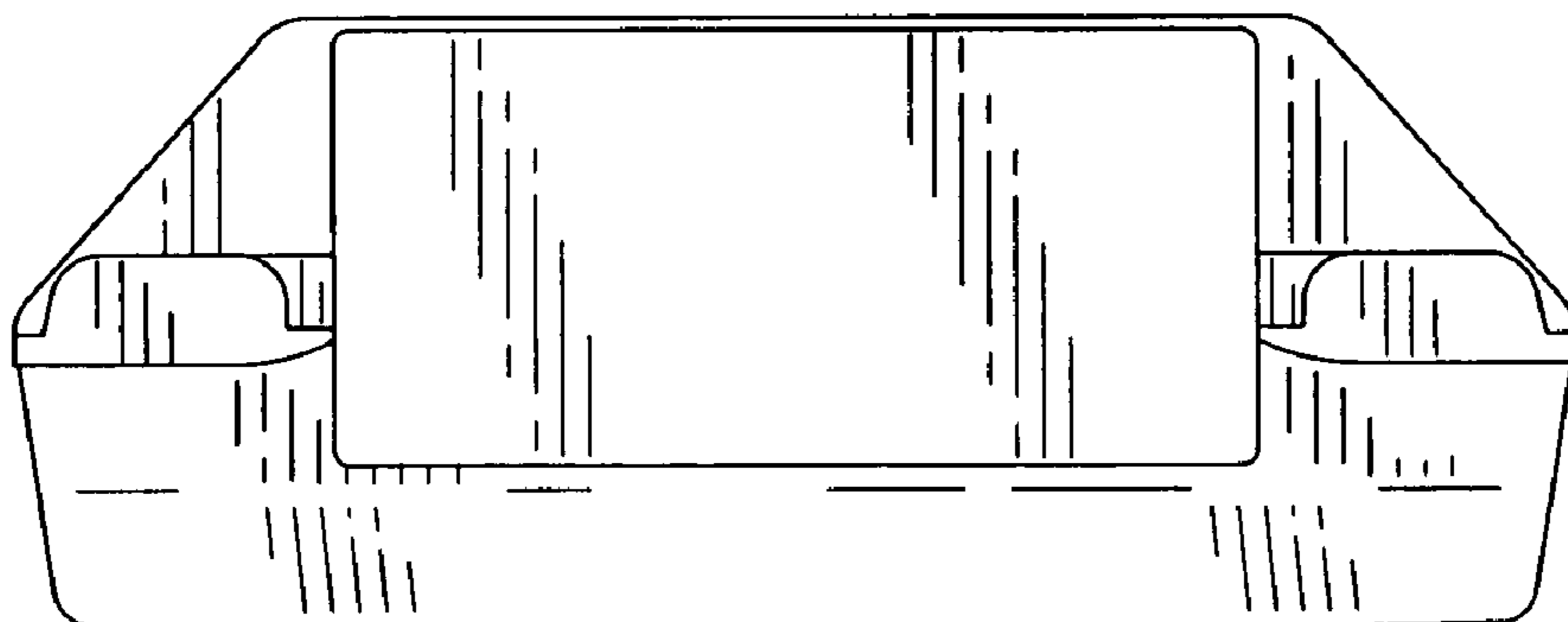


FIG.6

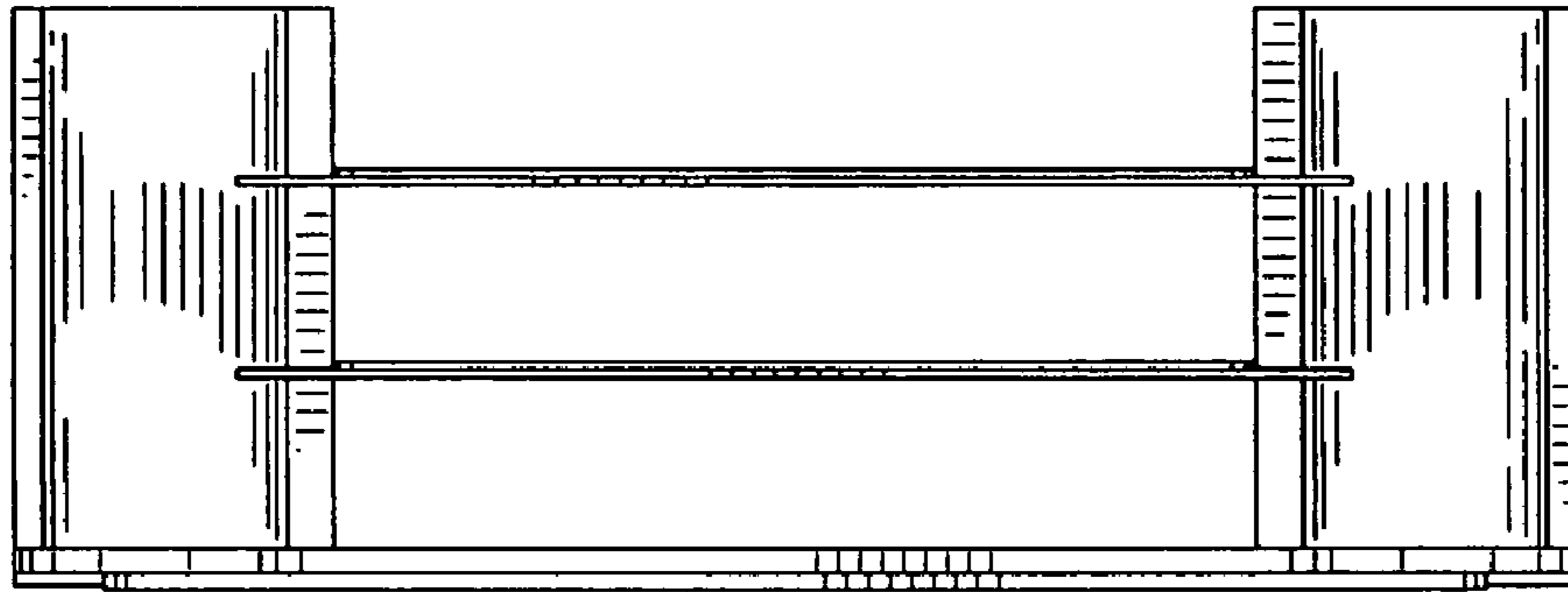


FIG.7

