



US00D574632S

(12) **United States Design Patent**
Auberger et al.

(10) **Patent No.:** **US D574,632 S**

(45) **Date of Patent:** **** Aug. 12, 2008**

(54) **RECTANGULAR STORAGE FURNITURE WITH LEGS**

D253,555 S * 11/1979 Browne D30/105
D255,407 S * 6/1980 Brittner D6/470
D482,739 S * 11/2003 Chaudoreille D21/493
D484,282 S * 12/2003 Lockwood D30/106

(75) Inventors: **Benoit Auberger**, Mouilleron en Pareds (FR); **Christelle Boutin**, Bressuire (FR)

* cited by examiner

(73) Assignee: **WESCO Company S A**, Cerizay (FR)

Primary Examiner—Elizabeth A. Albert

Assistant Examiner—Kelley A. Donnelly

(**) Term: **14 Years**

(74) *Attorney, Agent, or Firm*—Horst M. Kasper

(21) Appl. No.: **29/288,794**

(57) **CLAIM**

(22) Filed: **Jun. 19, 2007**

The design for rectangular storage furniture with legs, as shown and described.

(30) **Foreign Application Priority Data**

DESCRIPTION

Dec. 19, 2006 (EM) 000643333-0072

FIG. 1 is a front elevational view of rectangular storage furniture with legs;

(51) **LOC (8) Cl.** **06-04**

FIG. 2 is a top plan view thereof;

(52) **U.S. Cl.** **D6/476**

FIG. 3 is a rear elevational view thereof;

(58) **Field of Classification Search** D6/476-479, D6/460, 461, 468, 473, 474; 108/91-92, 108/59, 96, 65-66, 106-107, 180

FIG. 4 is a right side elevational view thereof;

See application file for complete search history.

FIG. 5 is a left side elevational view thereof;

(56) **References Cited**

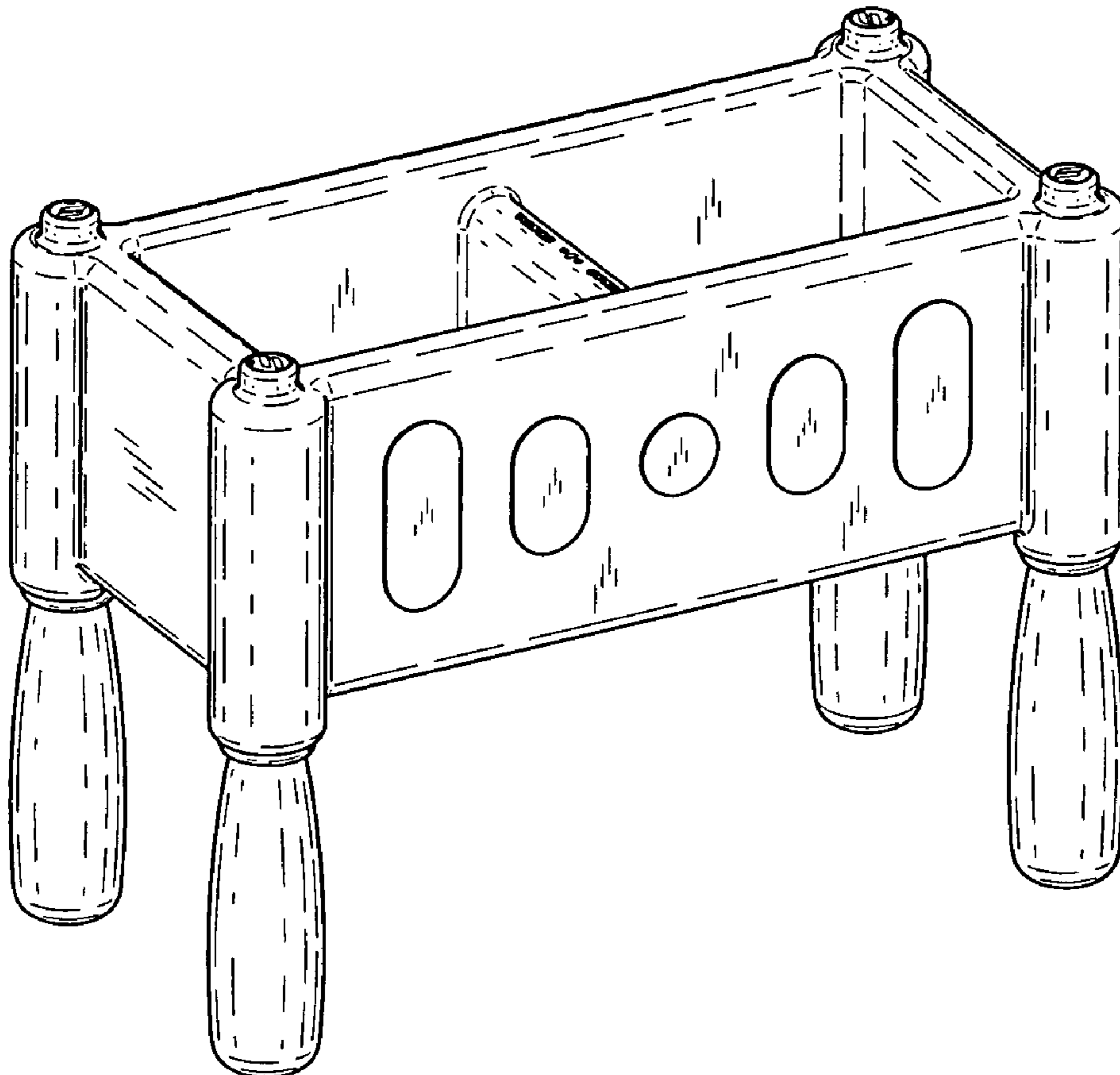
FIG. 6 is a bottom plan view thereof; and,

U.S. PATENT DOCUMENTS

FIG. 7 is a front perspective view thereof.

D134,689 S * 12/1942 Waltman D30/104

1 Claim, 2 Drawing Sheets



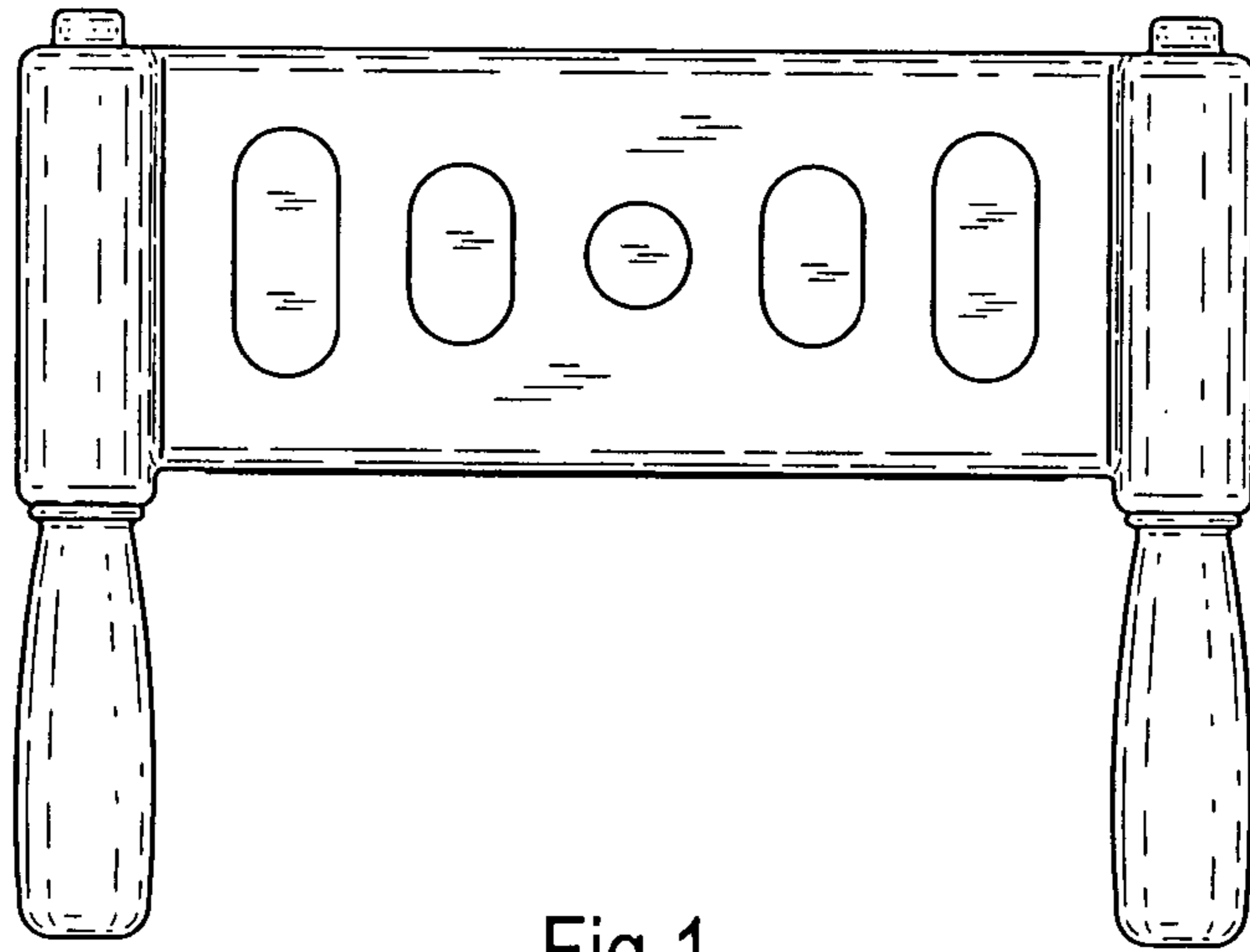


Fig.1

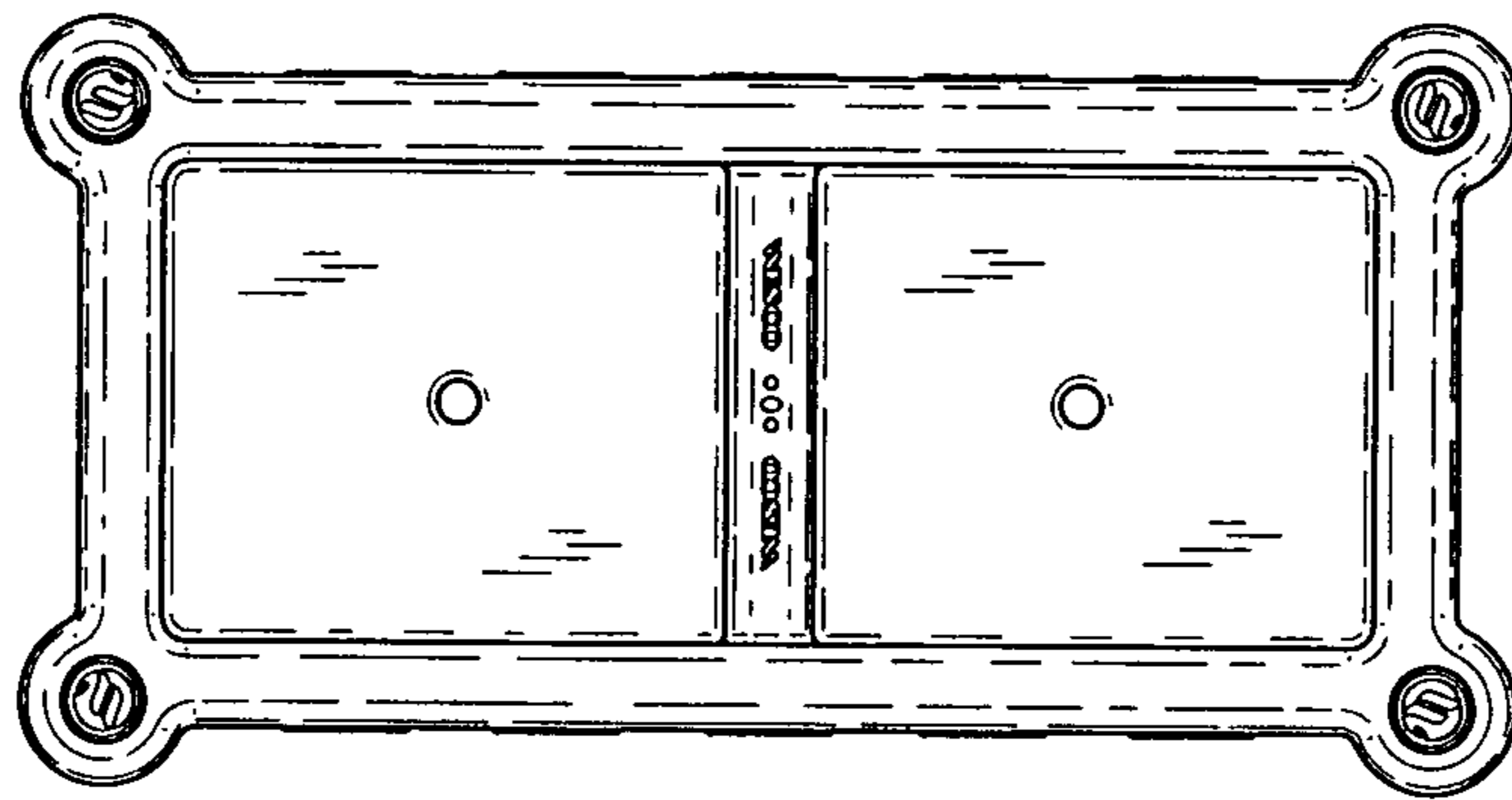


Fig.2

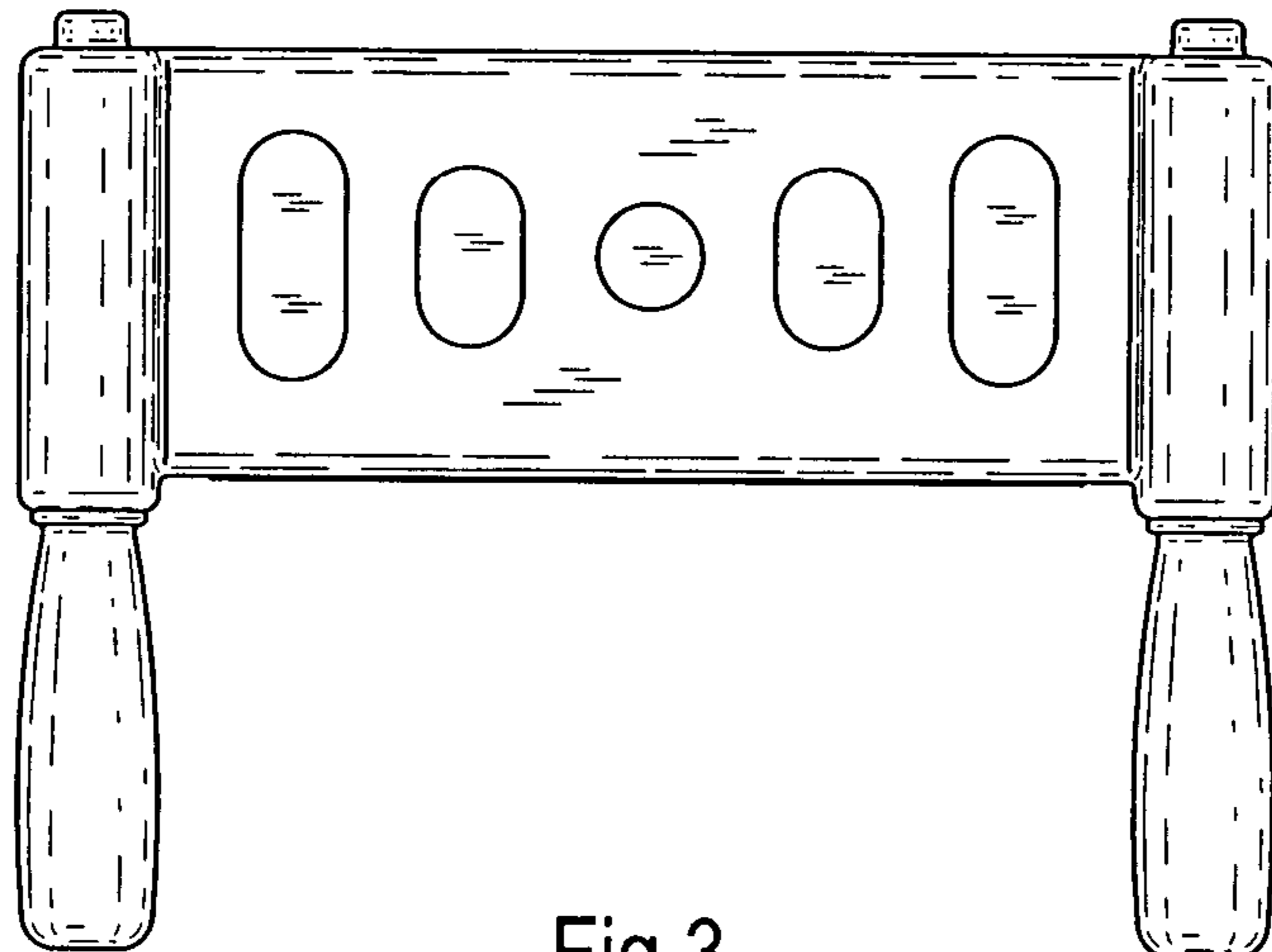


Fig.3

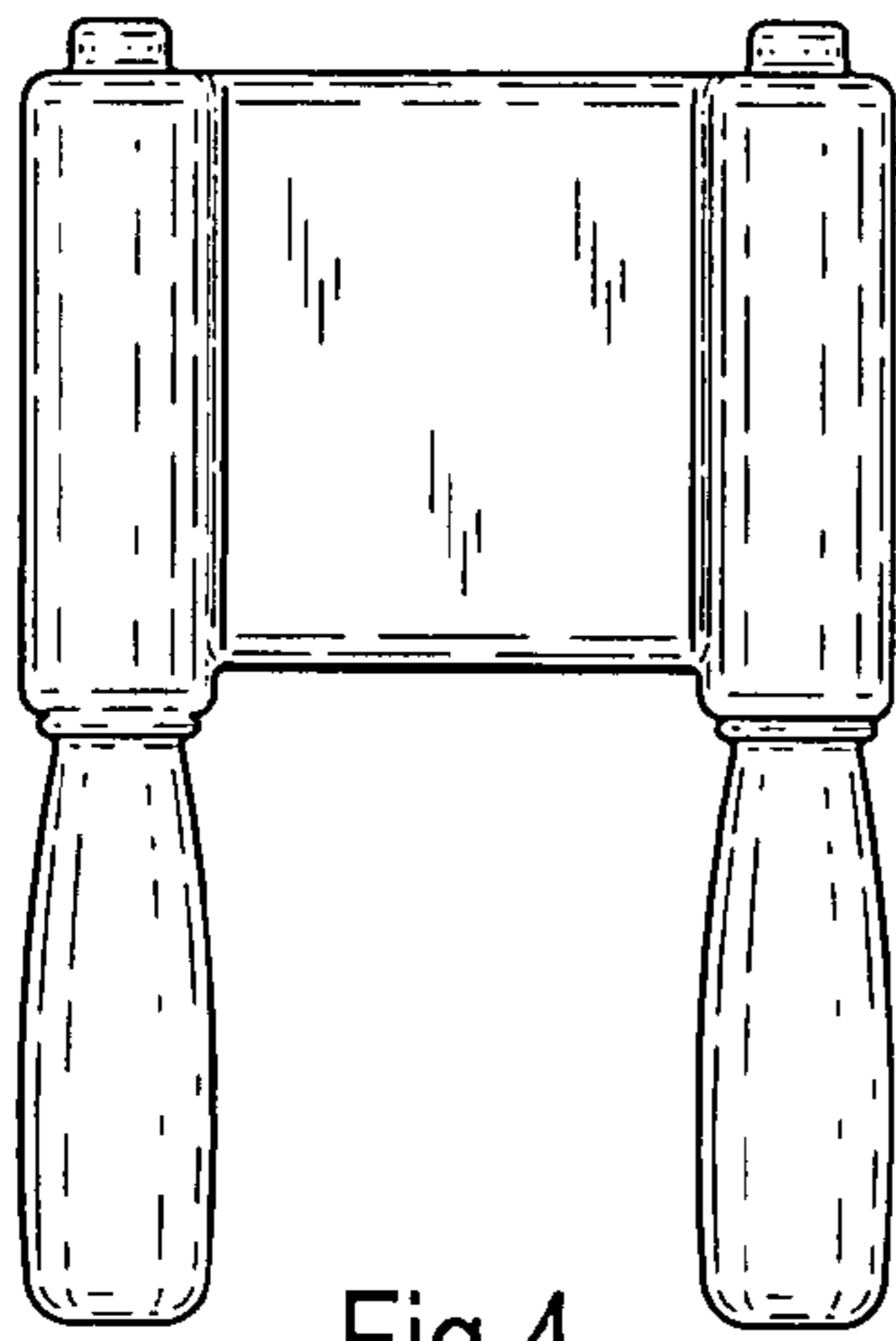


Fig.4

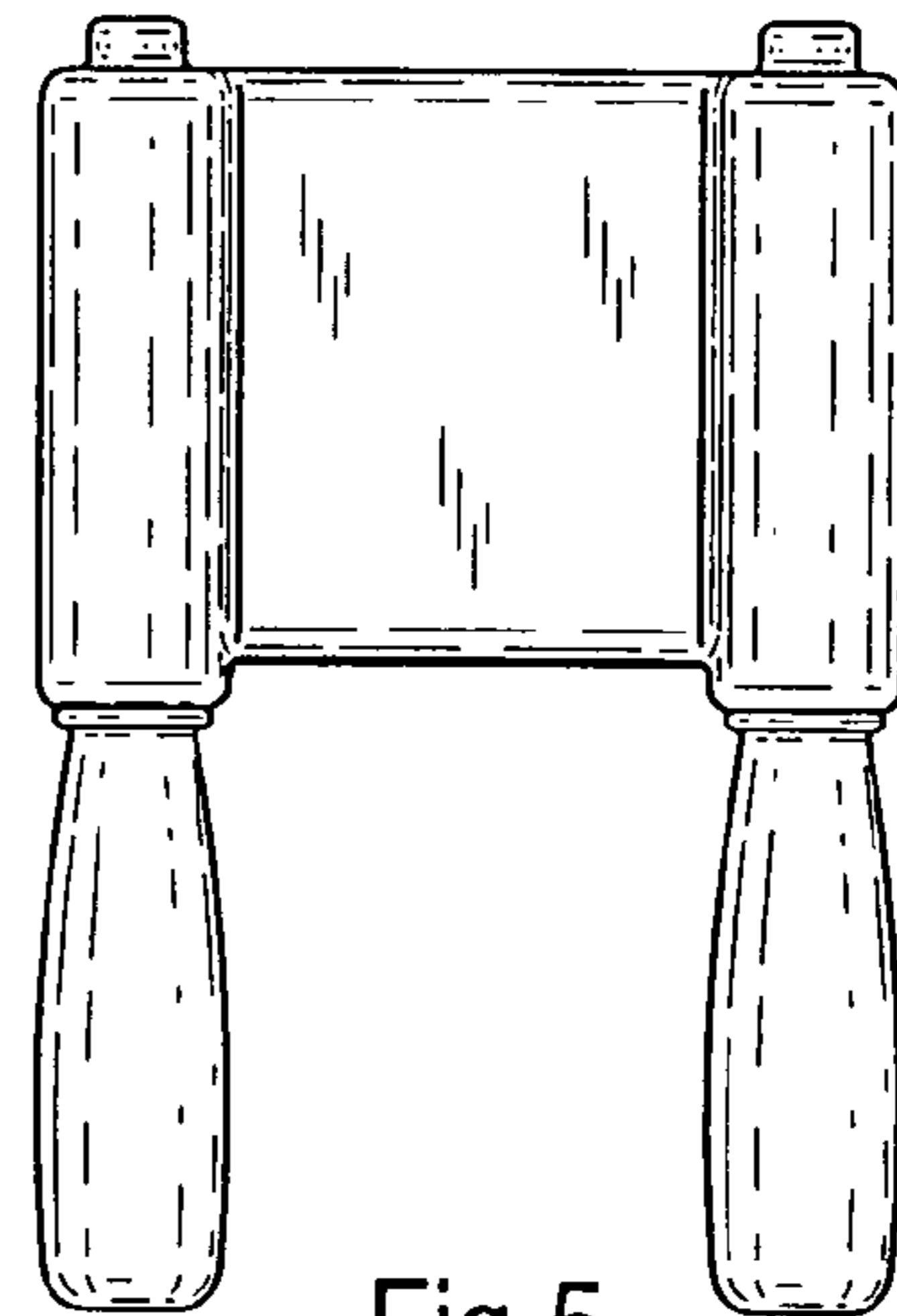


Fig.5

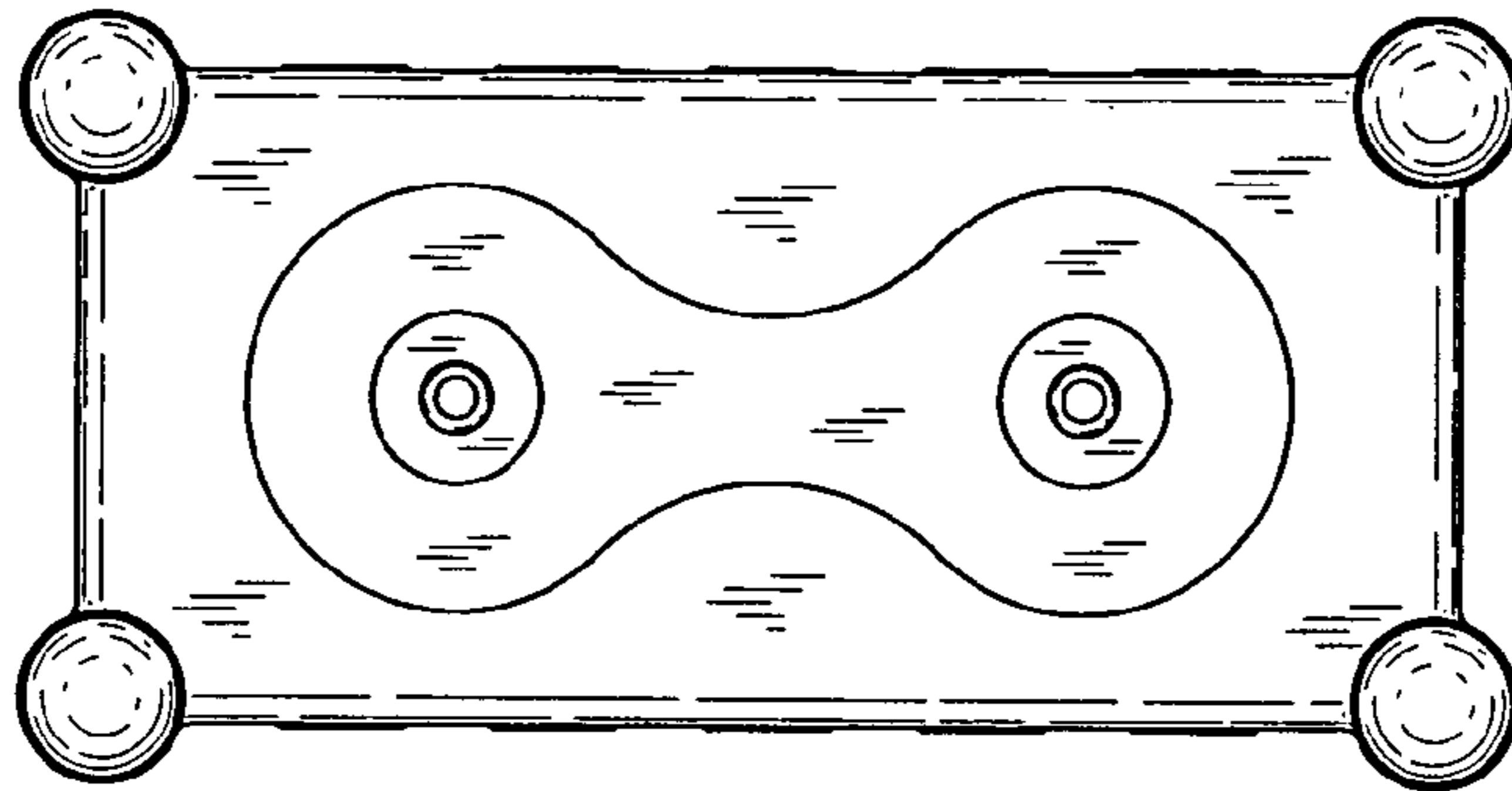


Fig.6

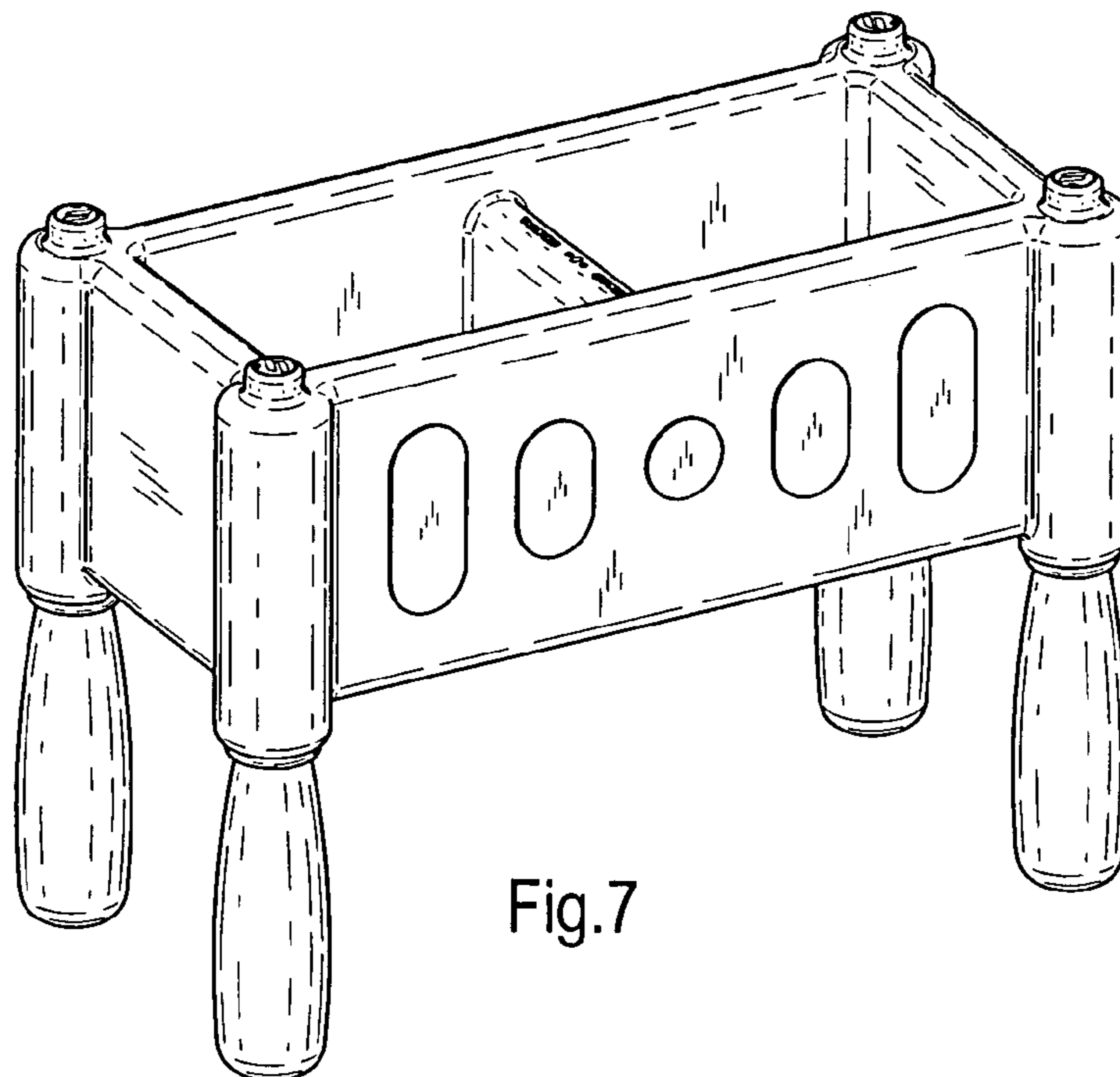


Fig.7