



US00D574631S

(12) **United States Design Patent**
Calabria et al.

(10) **Patent No.:** **US D574,631 S**
(45) **Date of Patent:** **** Aug. 12, 2008**

- (54) **BIN**
- (75) Inventors: **Melanie Calabria**, Columbia, MD (US);
Joseph Edward Jasinski, Raleigh, NC (US);
Kevin Owen Roughton, Saco, ME (US);
Jeannette Anne Gatlin, Raleigh, NC (US);
Rebecca Blount Pezdek, Cary, NC (US);
Xiao Gang Guo, Greensburg, PA (US)
- (73) Assignee: **Newell Operating Company**, Atlanta, GA (US)
- (**) Term: **14 Years**
- (21) Appl. No.: **29/250,357**
- (22) Filed: **Nov. 10, 2006**

5,586,816 A	12/1996	Geiss, II	
D416,169 S *	11/1999	Sarnoff et al.	D7/388
6,161,808 A *	12/2000	East et al.	248/175
6,520,354 B1	2/2003	Skvorecz	
6,595,475 B2 *	7/2003	Svabek et al.	248/150
D485,706 S *	1/2004	O'Connell Cooper et al.	D6/462
D486,008 S	2/2004	Pospisil et al.	
6,702,411 B2	3/2004	Helver	
6,955,327 B1	10/2005	Skvorecz	
D514,354 S *	2/2006	Nix et al.	D6/462
7,178,887 B2	2/2007	Steadman	
2005/0006994 A1	1/2005	Rapier, III	
2005/0023230 A1	2/2005	Lin	
2005/0218274 A1 *	10/2005	Skvorecz	248/153

Related U.S. Application Data

- (63) Continuation of application No. 29/229,605, filed on May 9, 2005, now Pat. No. Des. 532,993.

- (51) **LOC (8) Cl.** **06-07**
- (52) **U.S. Cl.** **D6/462; D6/491; D6/499**
- (58) **Field of Classification Search** D6/462, D6/499, 491, 458, 449, 455, 461, 523; 211/24, 211/41.1, 41.7, 41.4, 42, 53, 56, 58, 70, 85, 211/95, 85.31, 90.03, 112, 115, 126.8, 129.1, 211/131.1, 134, 133.1, 144, 133.2, 153, 181.1; 248/153, 175

See application file for complete search history.

References Cited

U.S. PATENT DOCUMENTS

2,643,167 A	6/1953	Wade	
2,822,229 A	2/1958	Carlson	
2,919,966 A	1/1960	Preston	
3,114,459 A *	12/1963	Kersting	211/40
D243,042 S *	1/1977	Dorn	D6/462
4,002,240 A *	1/1977	Dorn	211/42
D264,761 S *	6/1982	Dekarski	D3/306
D280,788 S *	10/1985	Levin	D6/406.6
4,569,447 A *	2/1986	Cifranic	211/42
4,893,885 A	1/1990	Borello	
D326,946 S *	6/1992	Szuster	D3/306
D360,559 S	7/1995	Grubb et al.	
5,437,376 A	8/1995	Larsen	

OTHER PUBLICATIONS

Amerock, Organizer, Hide-A-Shelf Hardware Kit catalog sheet, p. 35.
Rev-a-Shelf, Heavy Duty Mixer Lift catalog sheet.

* cited by examiner

Primary Examiner—Caron D. Veynar
Assistant Examiner—Sydney R Buffalow
(74) *Attorney, Agent, or Firm*—Banner & Witcoff, Ltd.

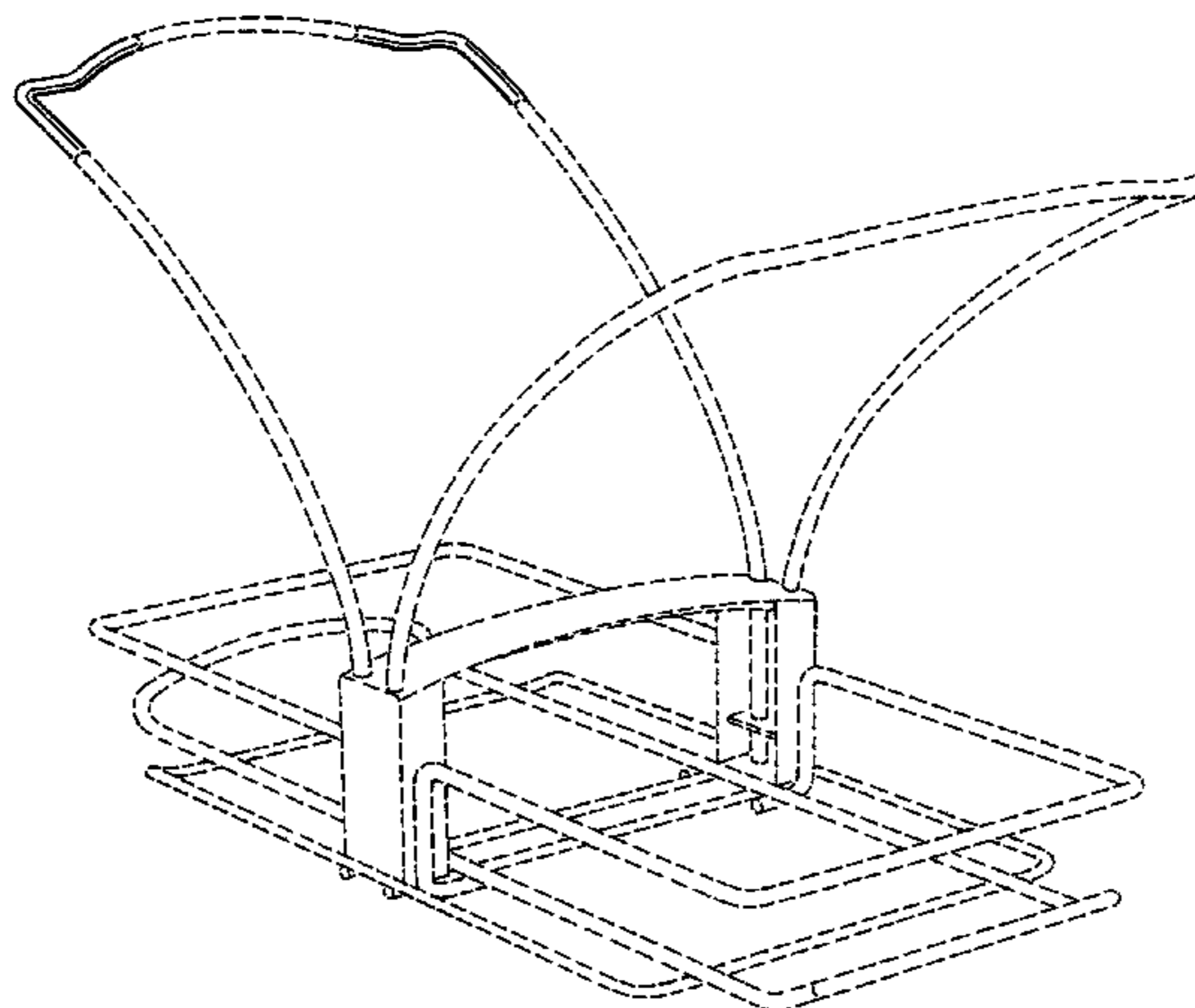
(57) **CLAIM**

What is claimed is the ornamental design for a “Bin,” as shown and described.

DESCRIPTION

FIG. 1 is a perspective view showing a new design for a bin; FIG. 2 is a top plan view of the bin of FIG. 1; FIG. 3 is a right side view of the bin of FIG. 1, the left side view being a mirror image thereof; FIG. 4 is a front view of the bin of FIG. 1; FIG. 5 is a rear view of the bin of FIG. 1; and, FIG. 6 is a bottom plan view of the bin of FIG. 1. The broken lines are for illustrative purposes only and form no part of the claimed design.

1 Claim, 3 Drawing Sheets



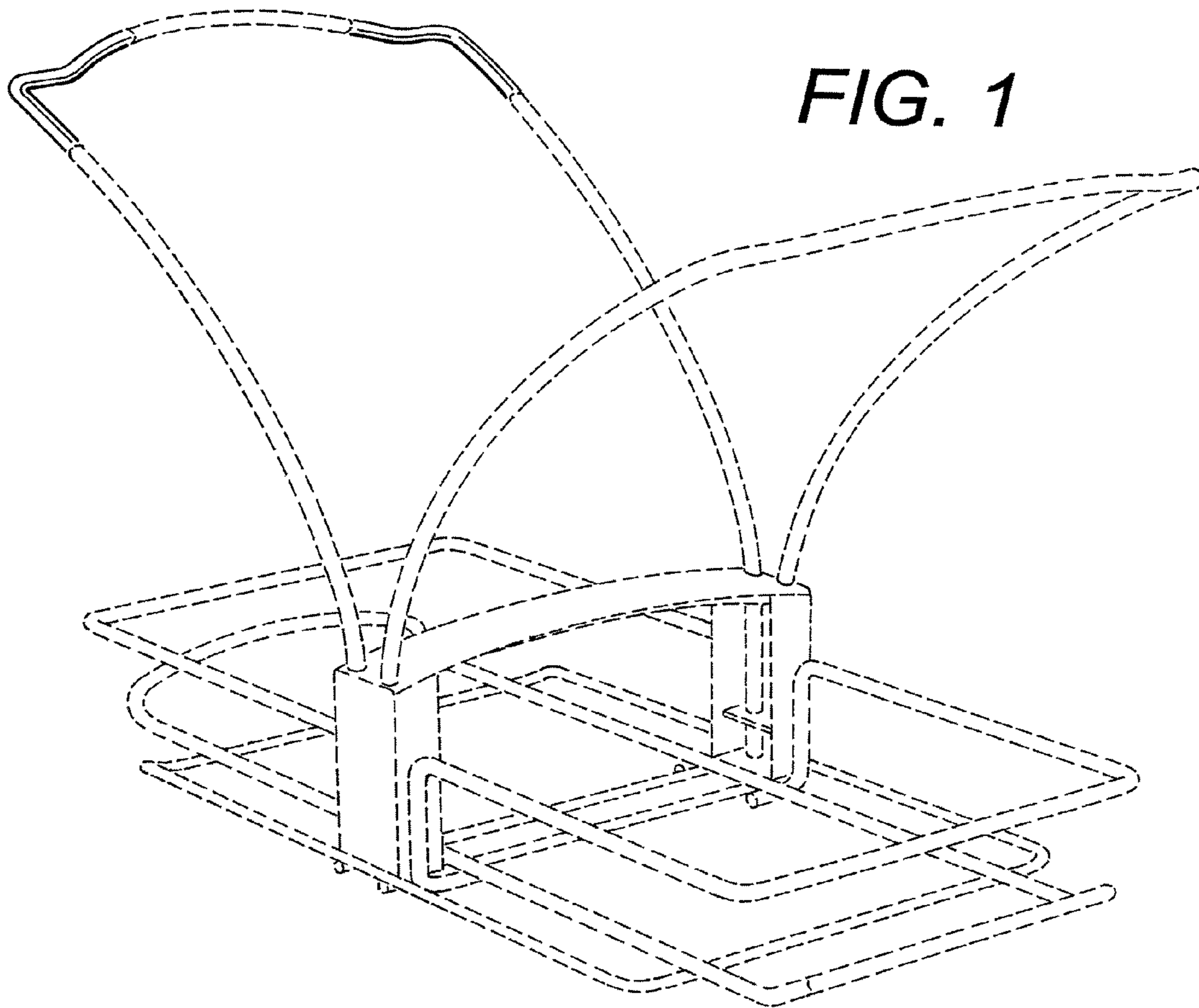


FIG. 2

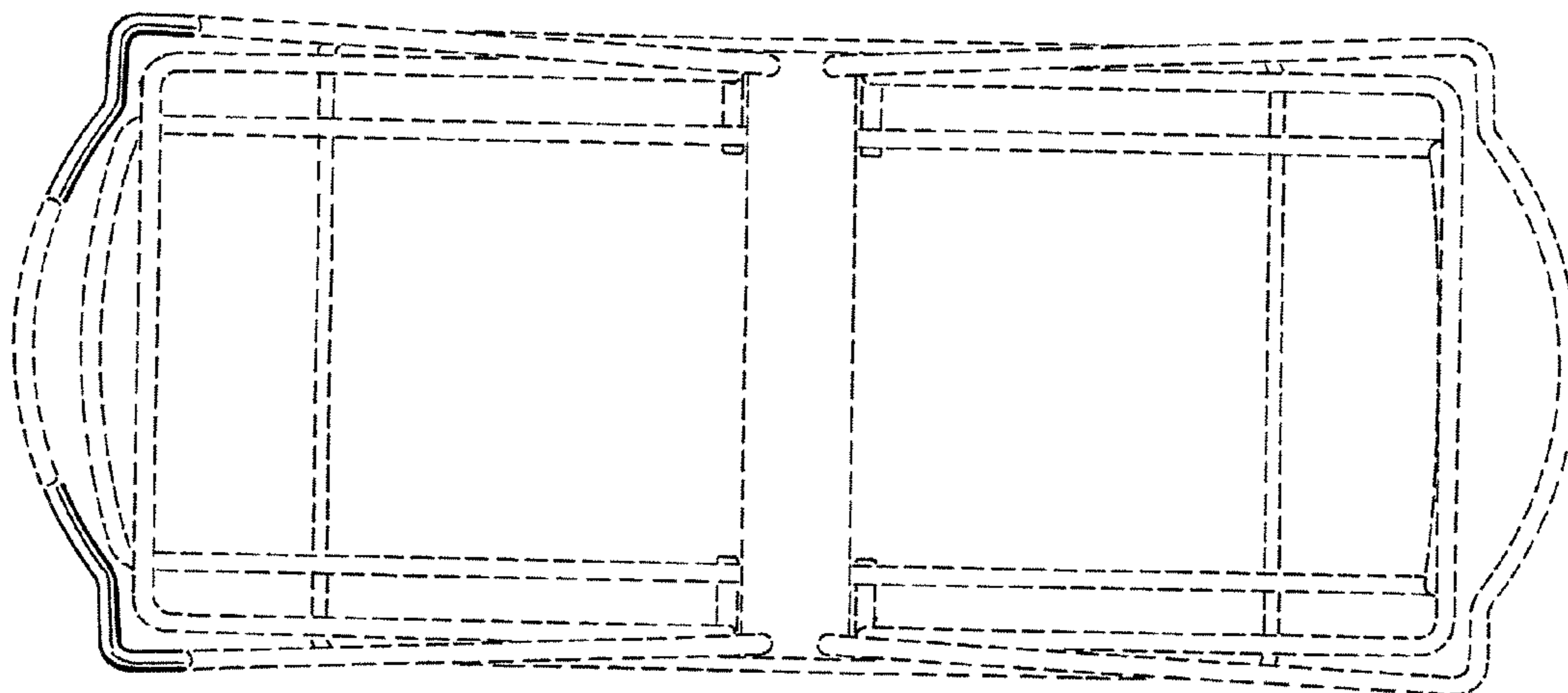


FIG. 4

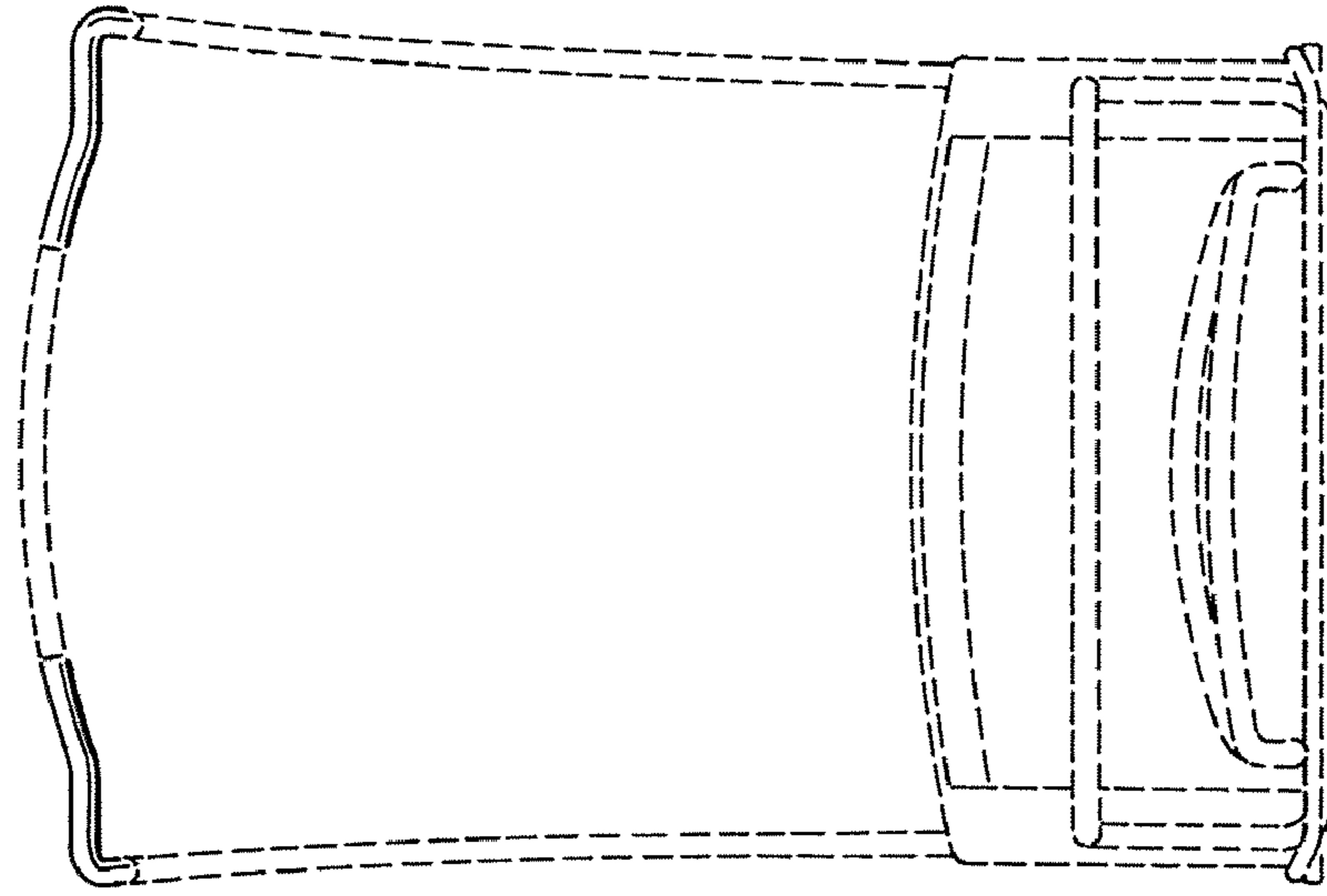


FIG. 3

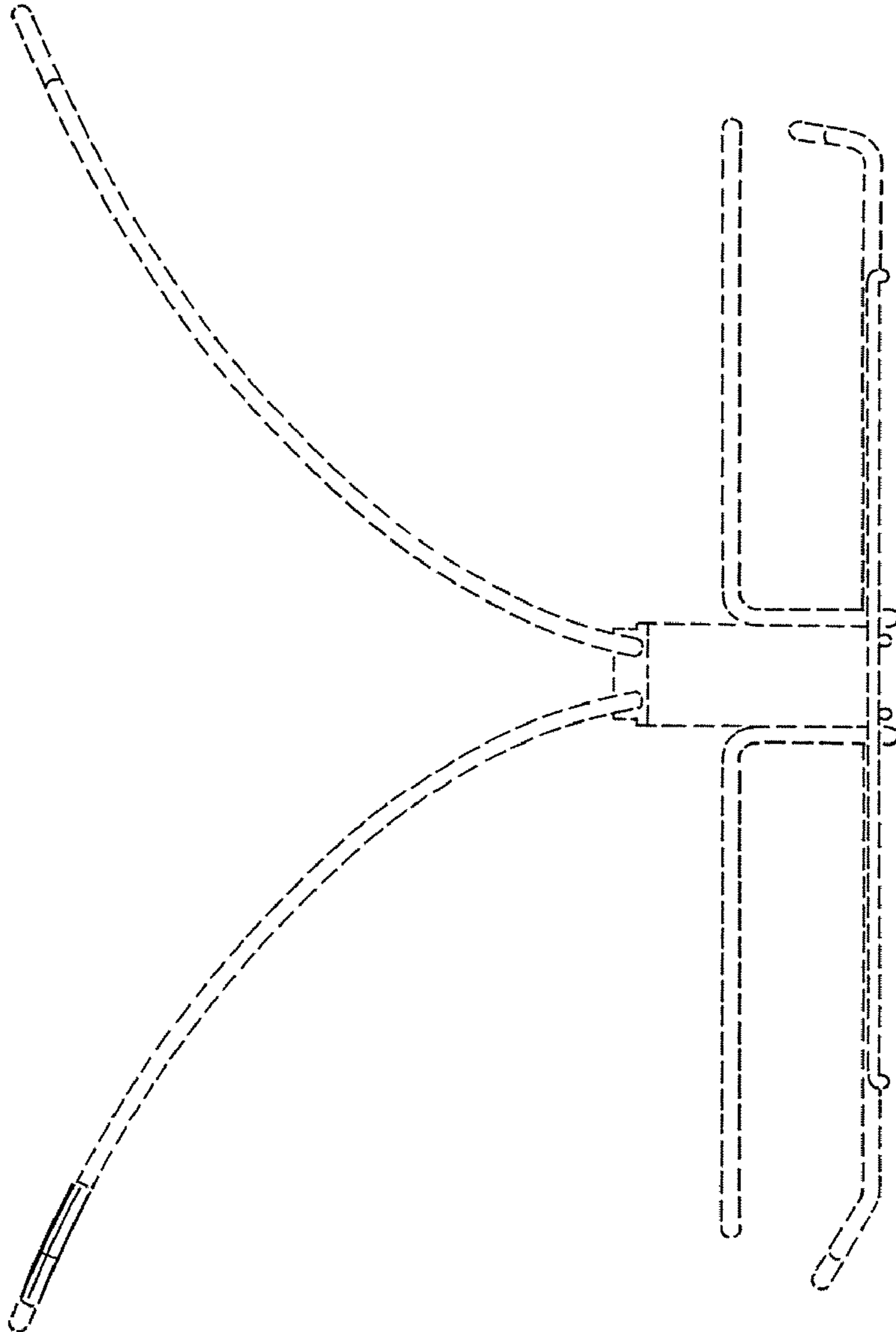


FIG. 5

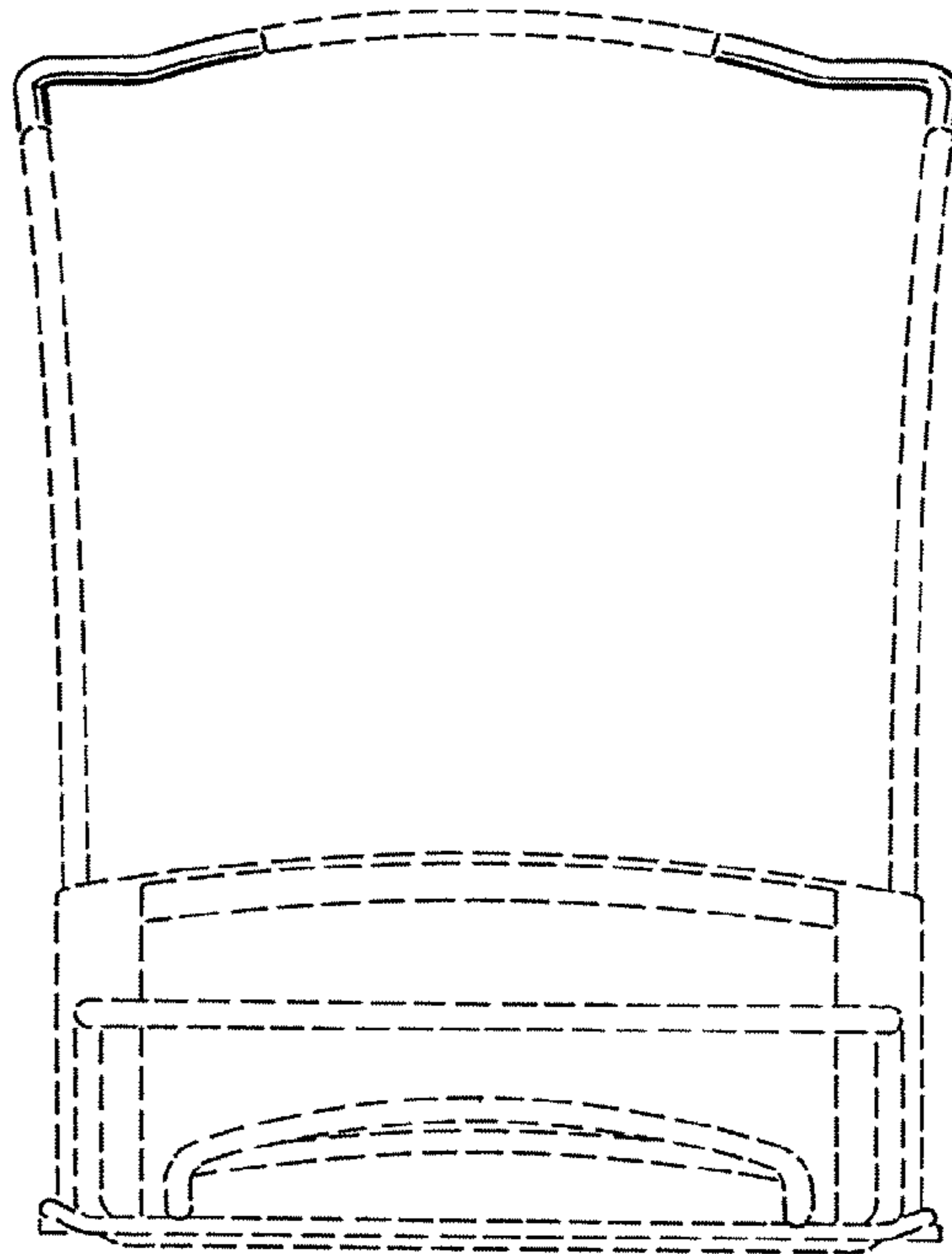


FIG. 6

