



US00D574624S

(12) **United States Design Patent**  
**Bartlmae**

(10) **Patent No.:** **US D574,624 S**

(45) **Date of Patent:** **\*\* Aug. 12, 2008**

(54) **CHAIR**

(76) Inventor: **Kerstin Bartlmae**, Via Simone Stefani  
20B, S. Margherita Lig. (IT) I-16038

(\*\*) Term: **14 Years**

(21) Appl. No.: **29/279,875**

(22) Filed: **May 9, 2007**

(51) **LOC (8) Cl.** ..... **06-01**

(52) **U.S. Cl.** ..... **D6/374; D6/380**

(58) **Field of Classification Search** ..... D6/334–336,  
D6/370–373, 374, 375, 376, 379, 380, 500–502;  
297/183.7, 239, 445.1, 446.1, 448.1, 451.1,  
297/452.18, 452.2, 452.48, 452.65

See application file for complete search history.

(56) **References Cited**

**U.S. PATENT DOCUMENTS**

3,159,428	A *	12/1964	Schier	.....	297/452.65
D200,532	S *	3/1965	Williams	.....	D6/380
3,291,529	A *	12/1966	Straits	.....	297/183.7
3,403,882	A *	10/1968	Lindqvist	.....	297/448.1
D228,989	S *	11/1973	Furey	.....	D6/380
D381,828	S *	8/1997	Kemnitzner	.....	D6/379
D414,620	S *	10/1999	Kabadayan	.....	D6/380
D457,744	S *	5/2002	Lewis	.....	D6/380
D497,729	S *	11/2004	Peitz et al.	.....	D6/379
D513,456	S *	1/2006	Smith	.....	D6/380
D515,330	S *	2/2006	Lucci et al.	.....	D6/380
D544,229	S *	6/2007	Bartlmae	.....	D6/374
D544,236	S *	6/2007	Swy et al.	.....	D6/380

**OTHER PUBLICATIONS**

Product Information from Hiller website (believed to have been offered for sale, publicly used, and/or published prior to the filing date of this application).

\* cited by examiner

*Primary Examiner*—Mimosa De

(74) *Attorney, Agent, or Firm*—Gifford, Krass, Sprinkle, Anderson & Citkowski, P.C.

(57) **CLAIM**

The ornamental design for a chair, as shown and described.

**DESCRIPTION**

FIG. 1 is a perspective view of a first embodiment of a chair according to the present invention;

FIG. 2 is a top plan view of the chair of FIG. 1;

FIG. 3 is a bottom view of the chair of FIGS. 1 and 2;

FIG. 4 is a rear elevational view of the chair of FIGS. 1–3;

FIG. 5 is a side-elevational view of the chair of FIGS. 1–4, the other side view being a mirror image thereof;

FIG. 6 is a front-elevational view of the chair of FIGS. 1–5;

FIG. 7 is a perspective view of a second embodiment of a chair according to the present invention;

FIG. 8 is a top plan view of the chair of FIG. 7;

FIG. 9 is a bottom view of the chair of FIGS. 7 and 8;

FIG. 10 is a rear elevational view of the chair of FIGS. 7–9;

FIG. 11 is a side-elevational view of the chair of FIGS. 7–10, the other side view being a mirror image thereof; and,

FIG. 12 is a front-elevational view of the chair of FIGS. 7–11.

The broken lines shown in the Figures are for environmental purposes only and form no part of the claimed design.

**1 Claim, 6 Drawing Sheets**

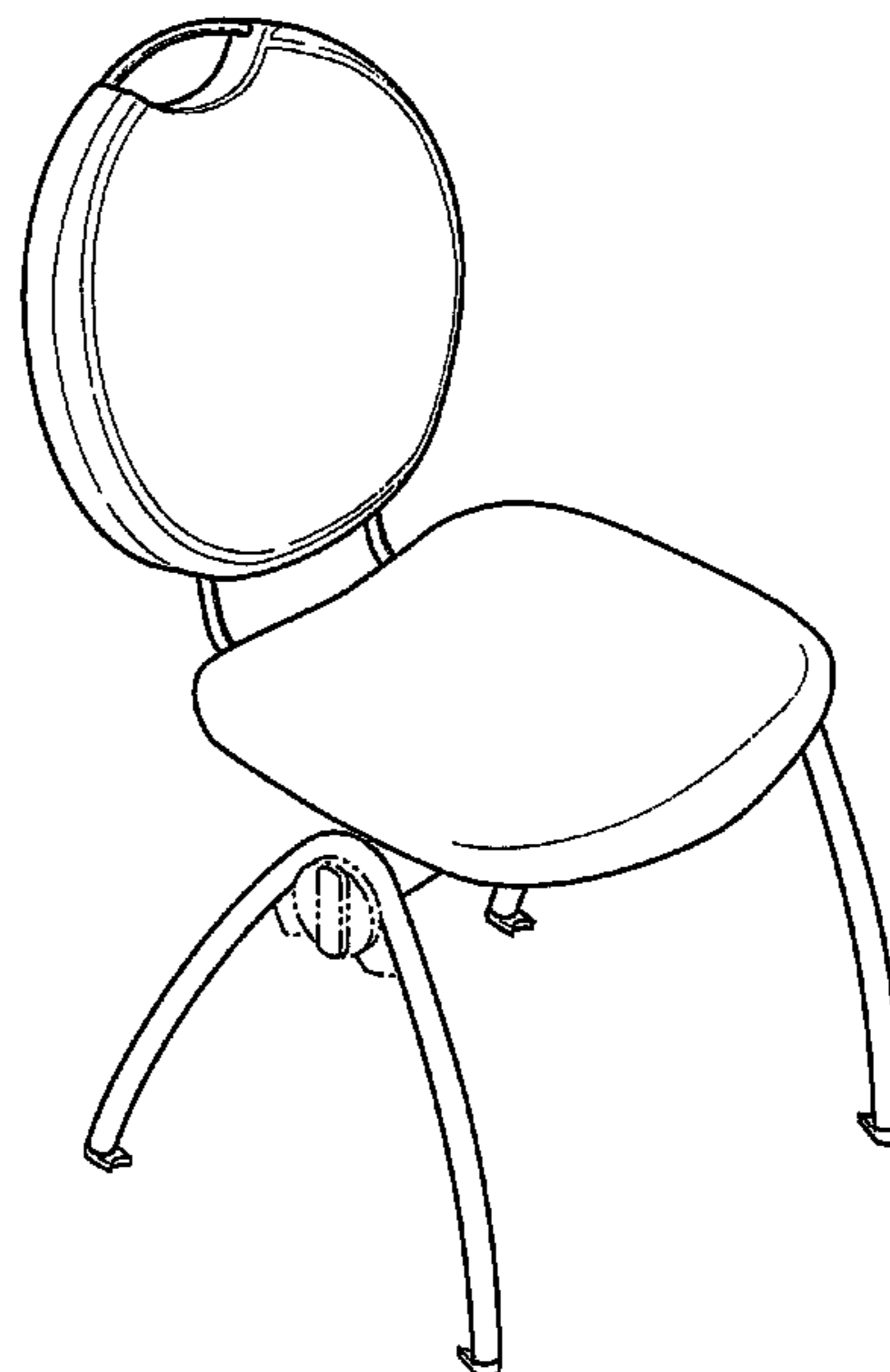
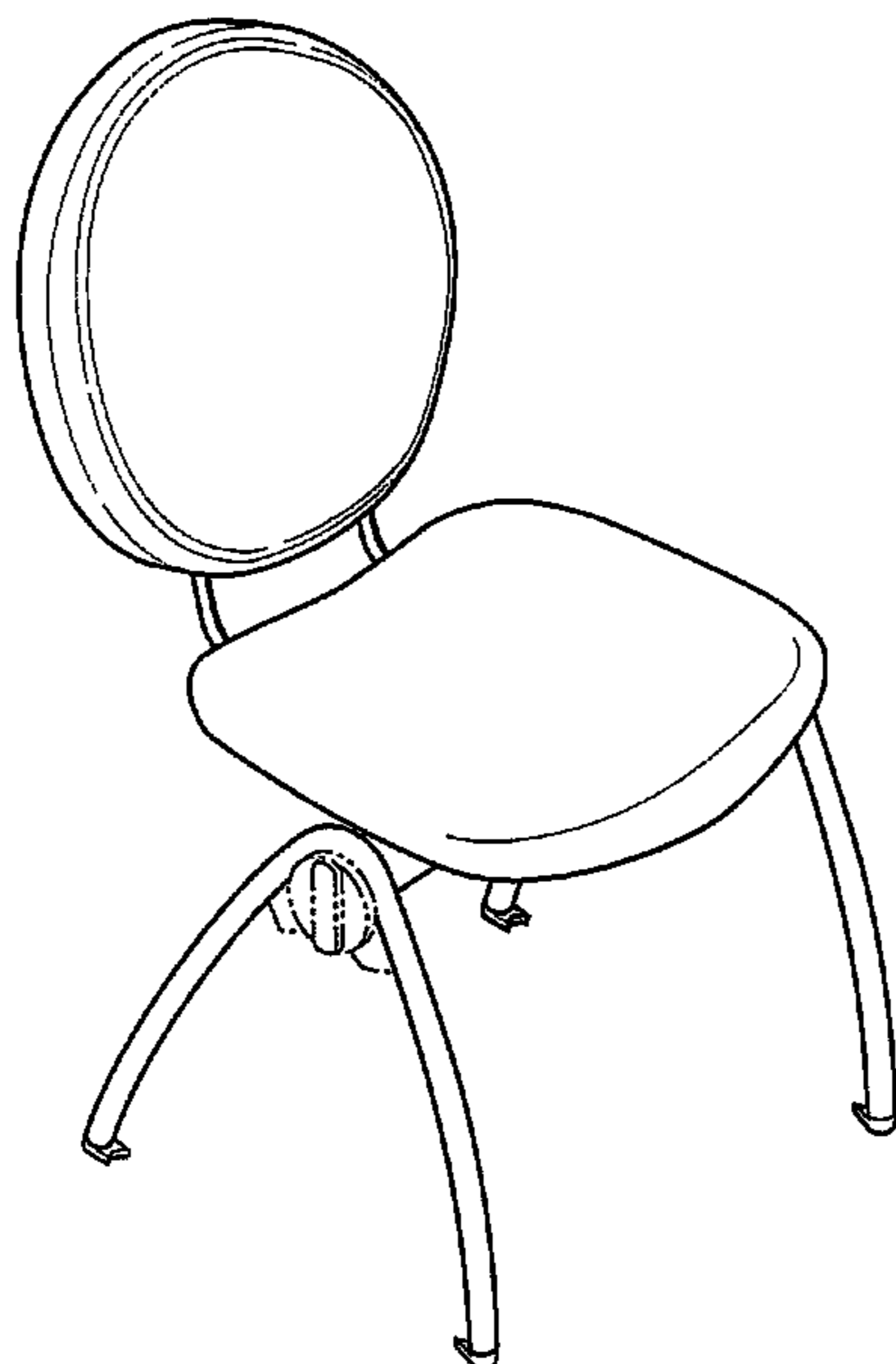


FIG - 1

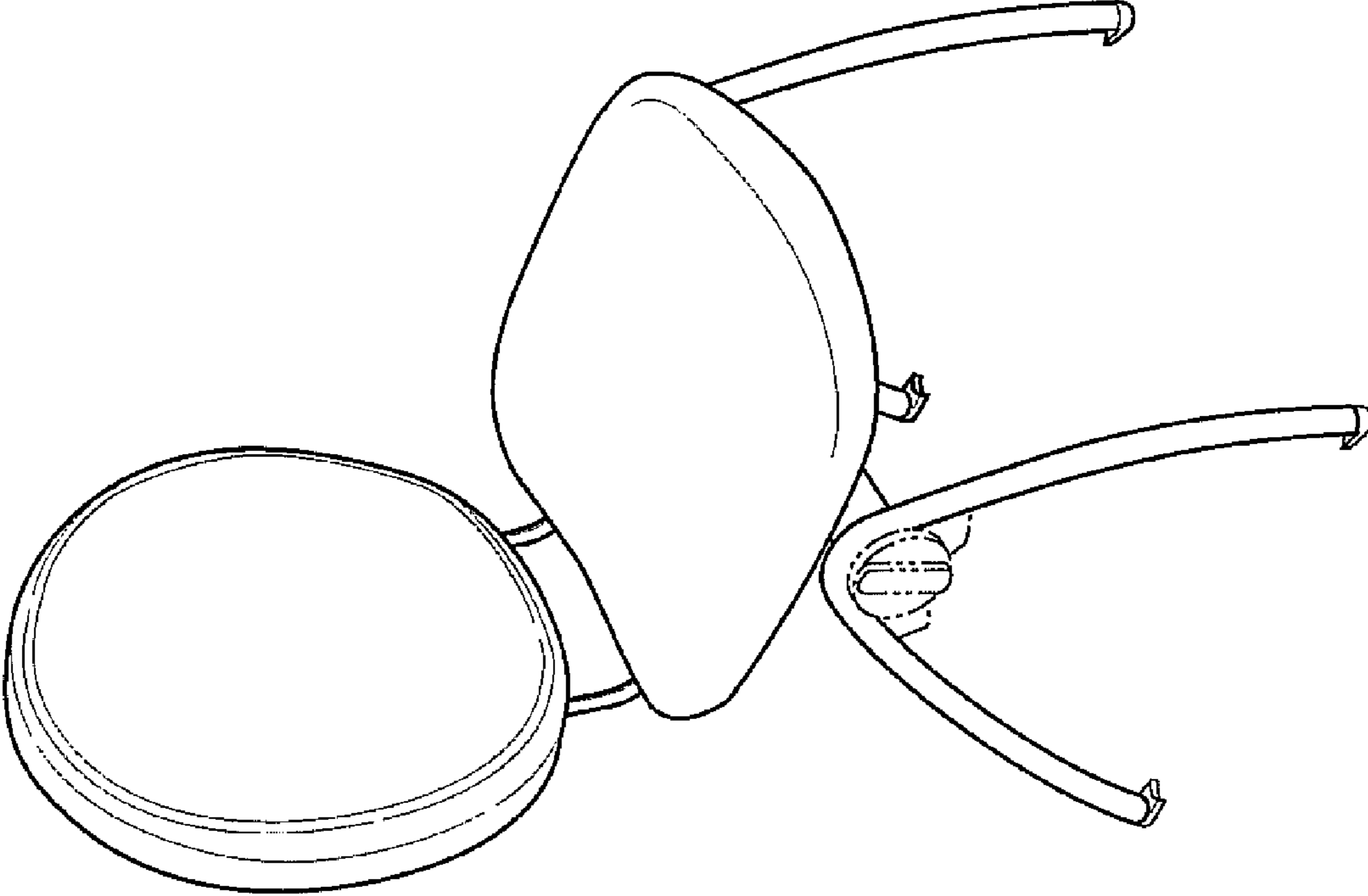
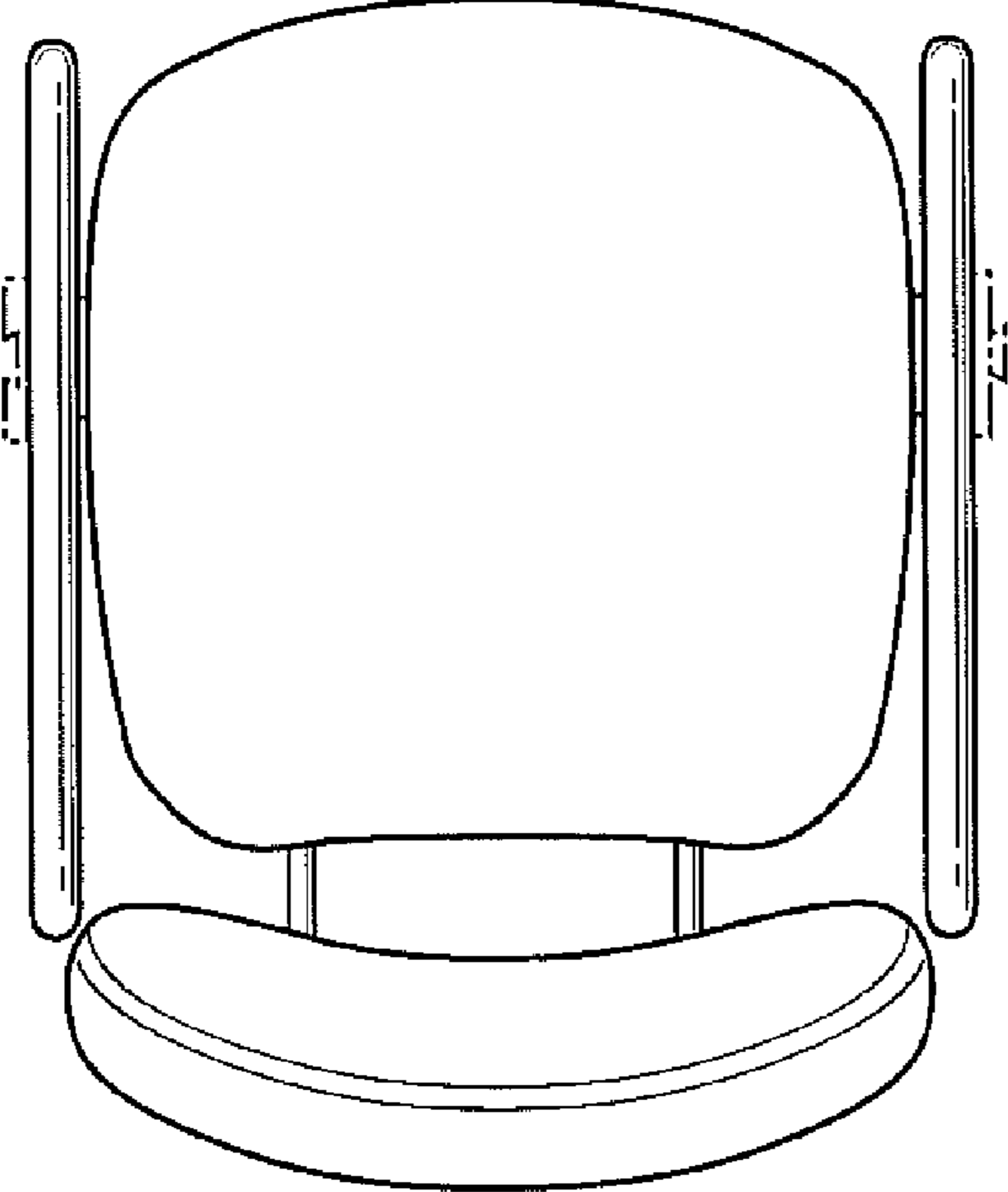


FIG - 2



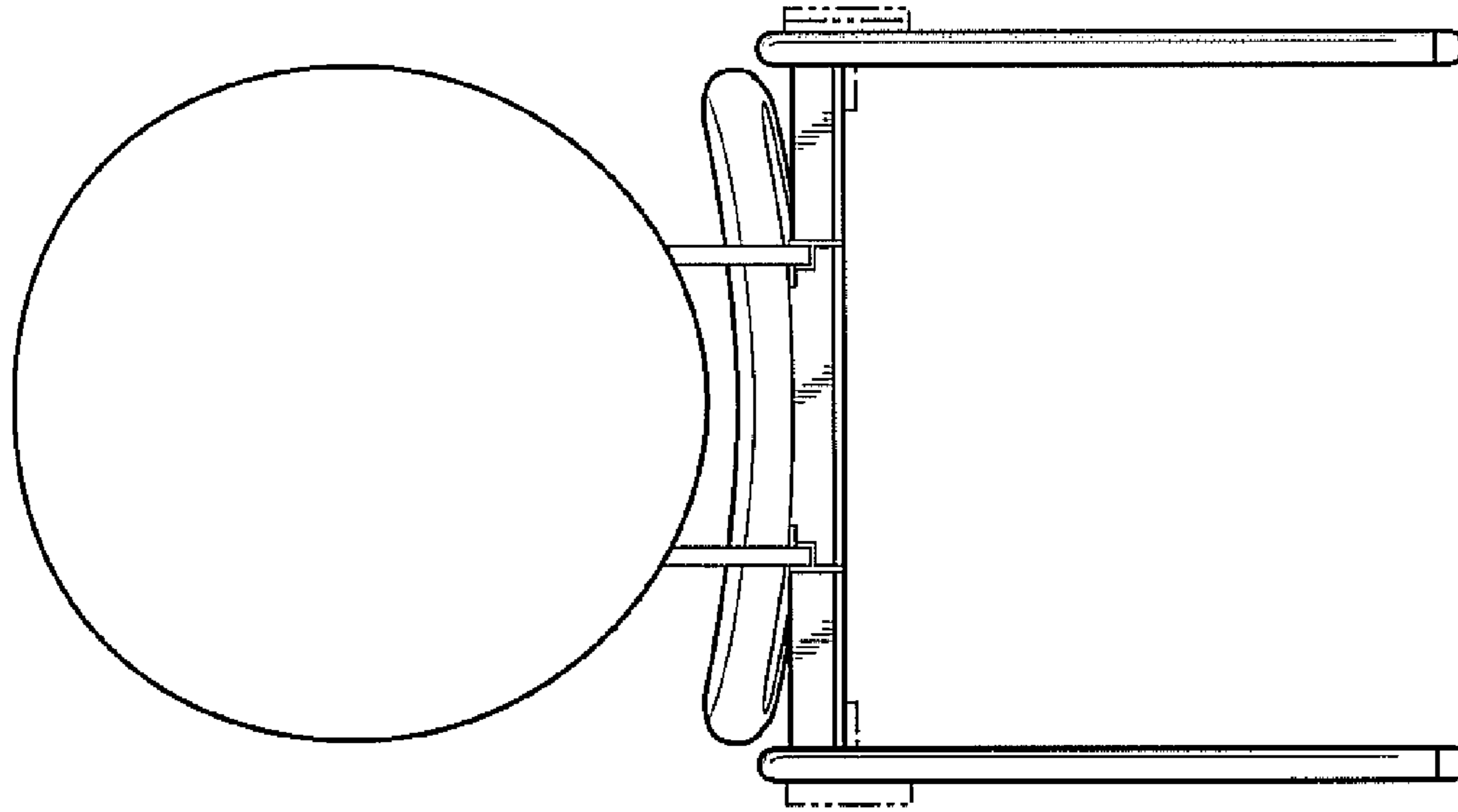


FIG - 4

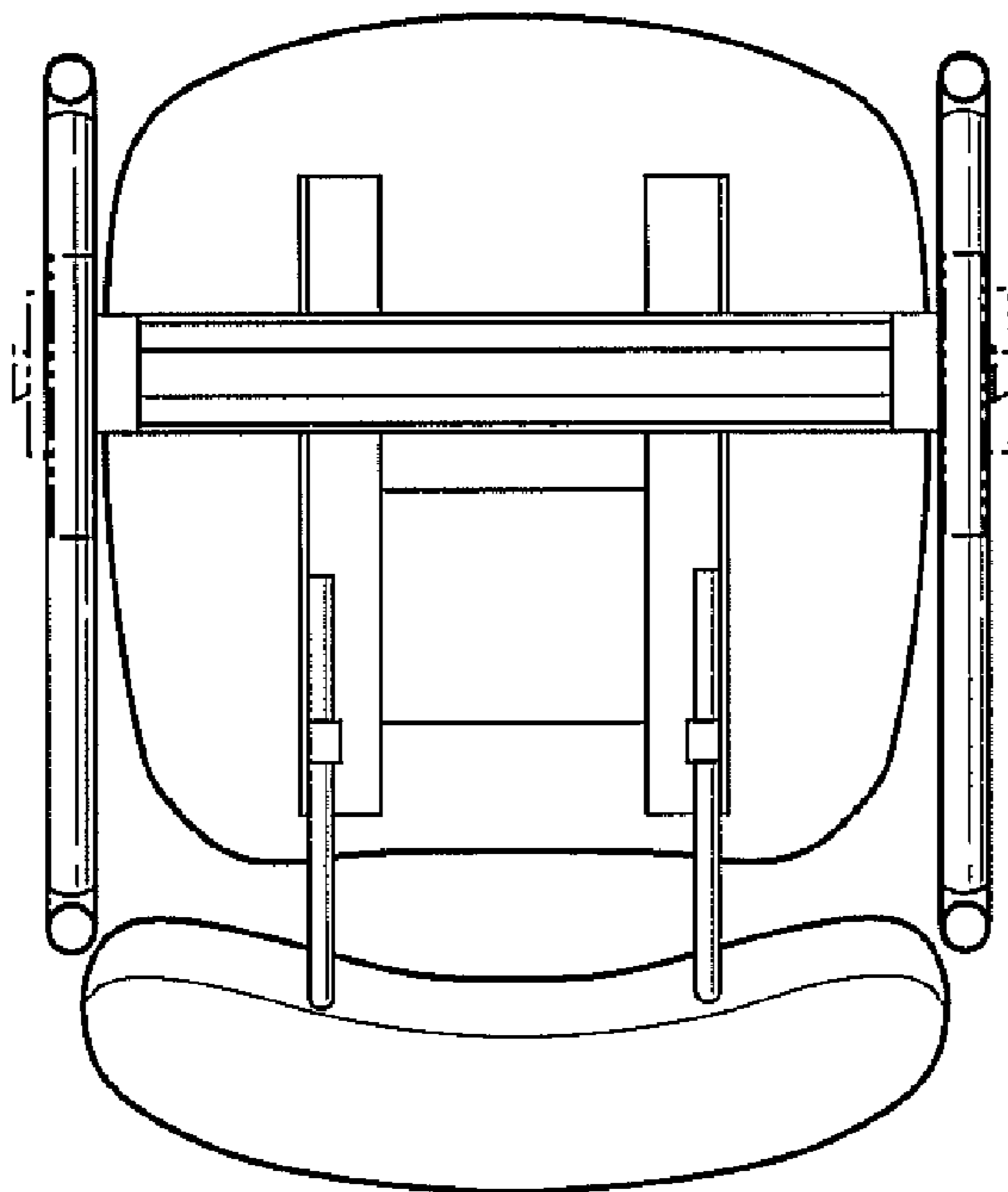


FIG - 3

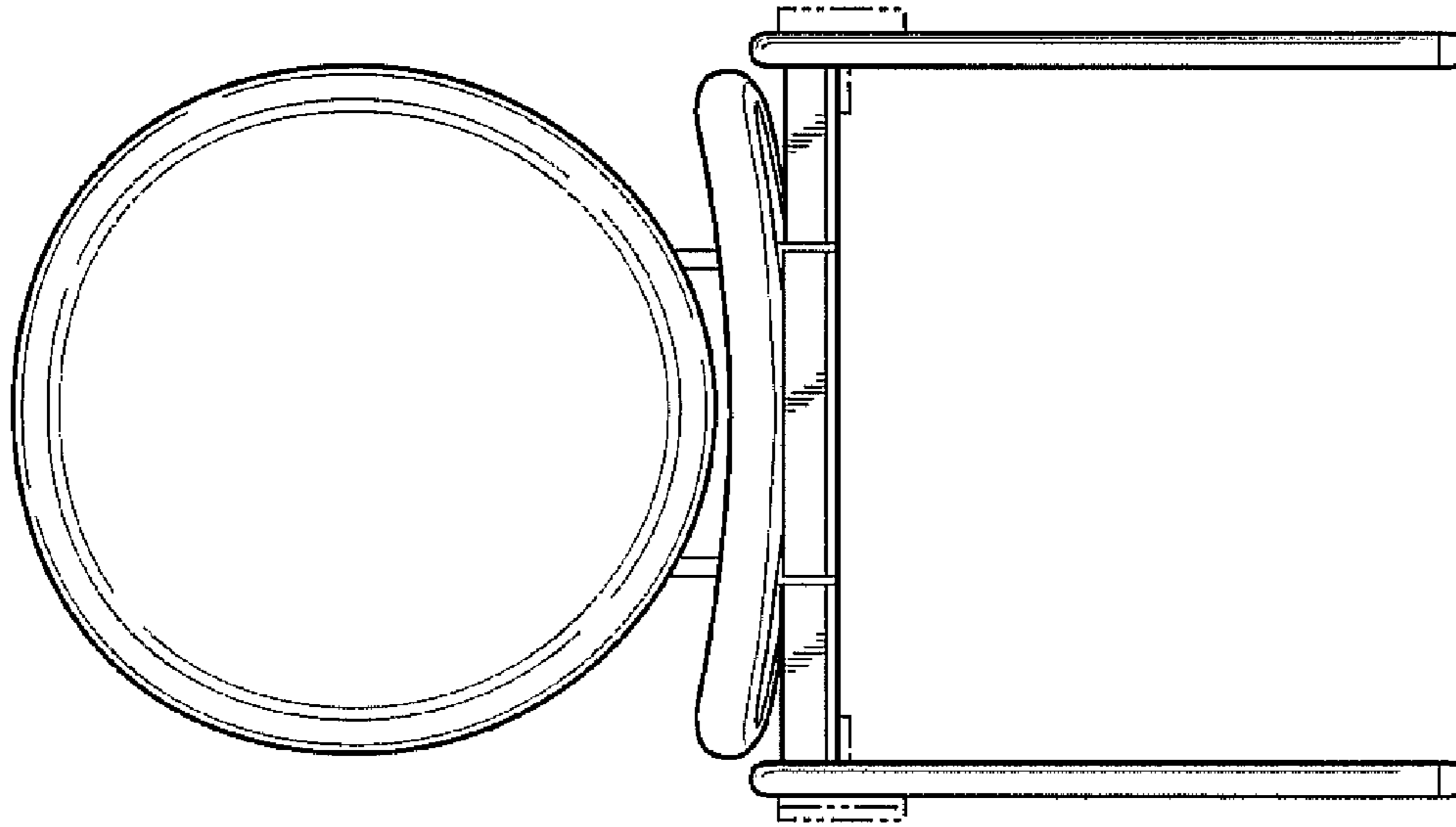


FIG - 6

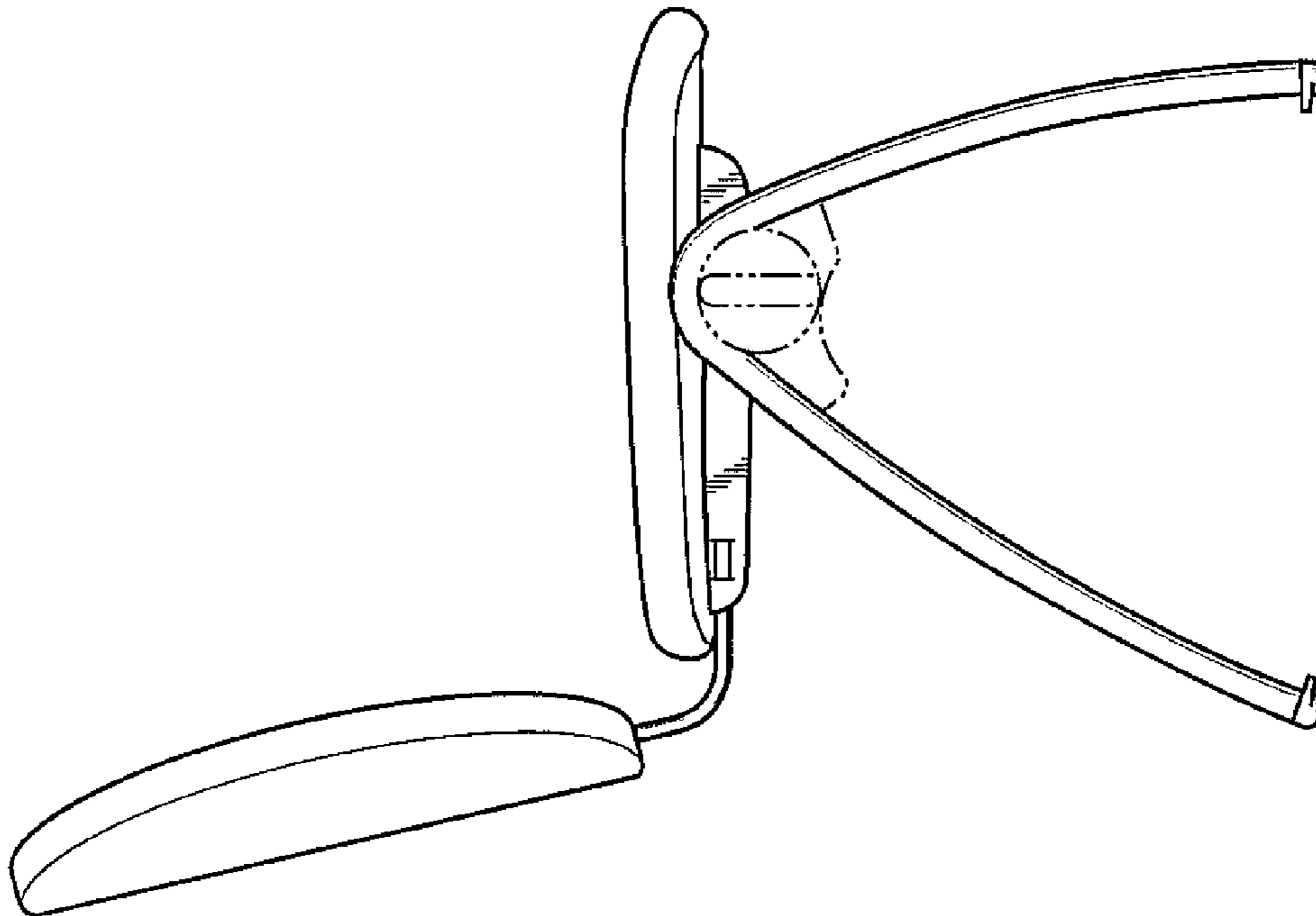


FIG - 5

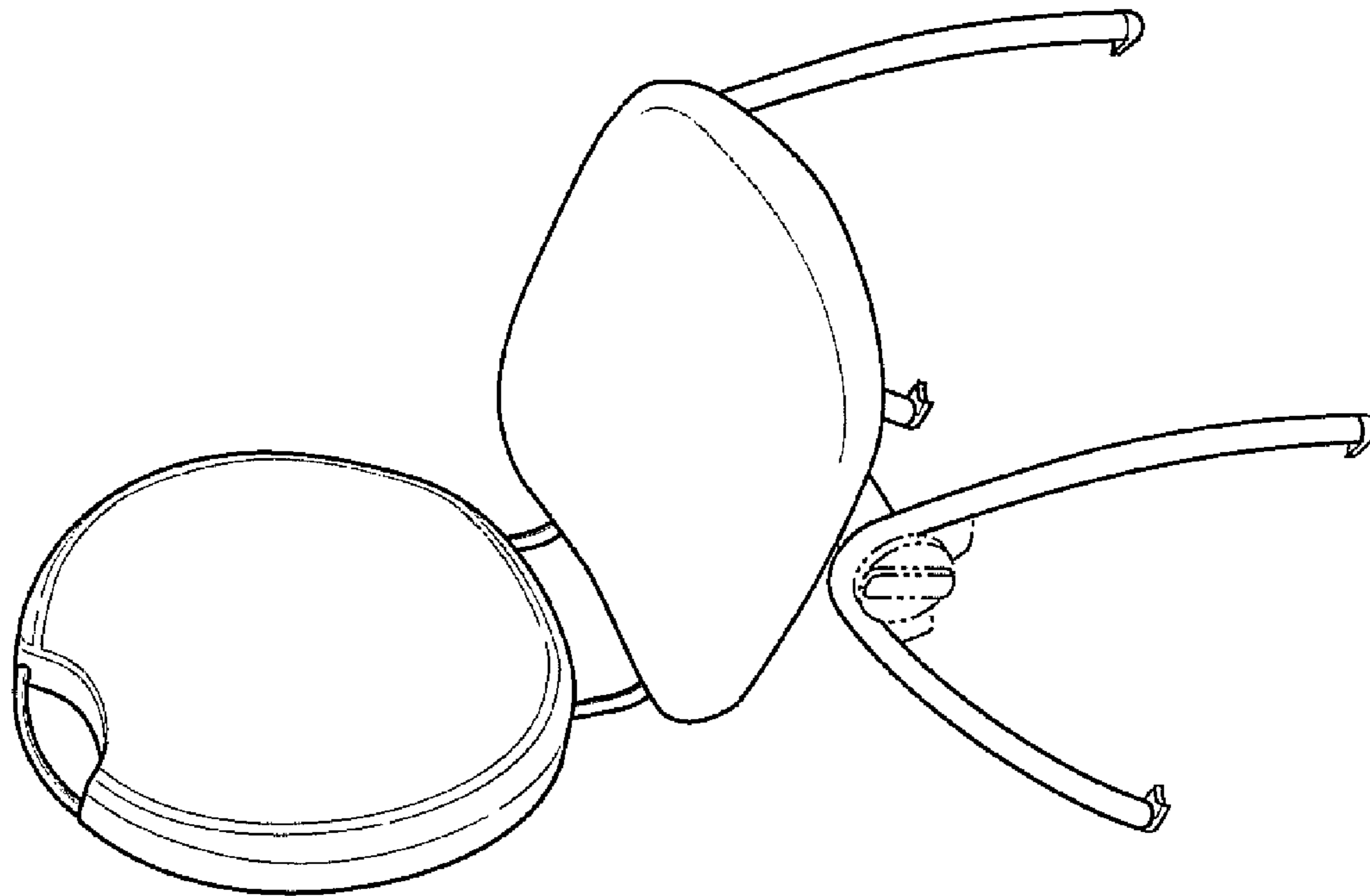


FIG - 7

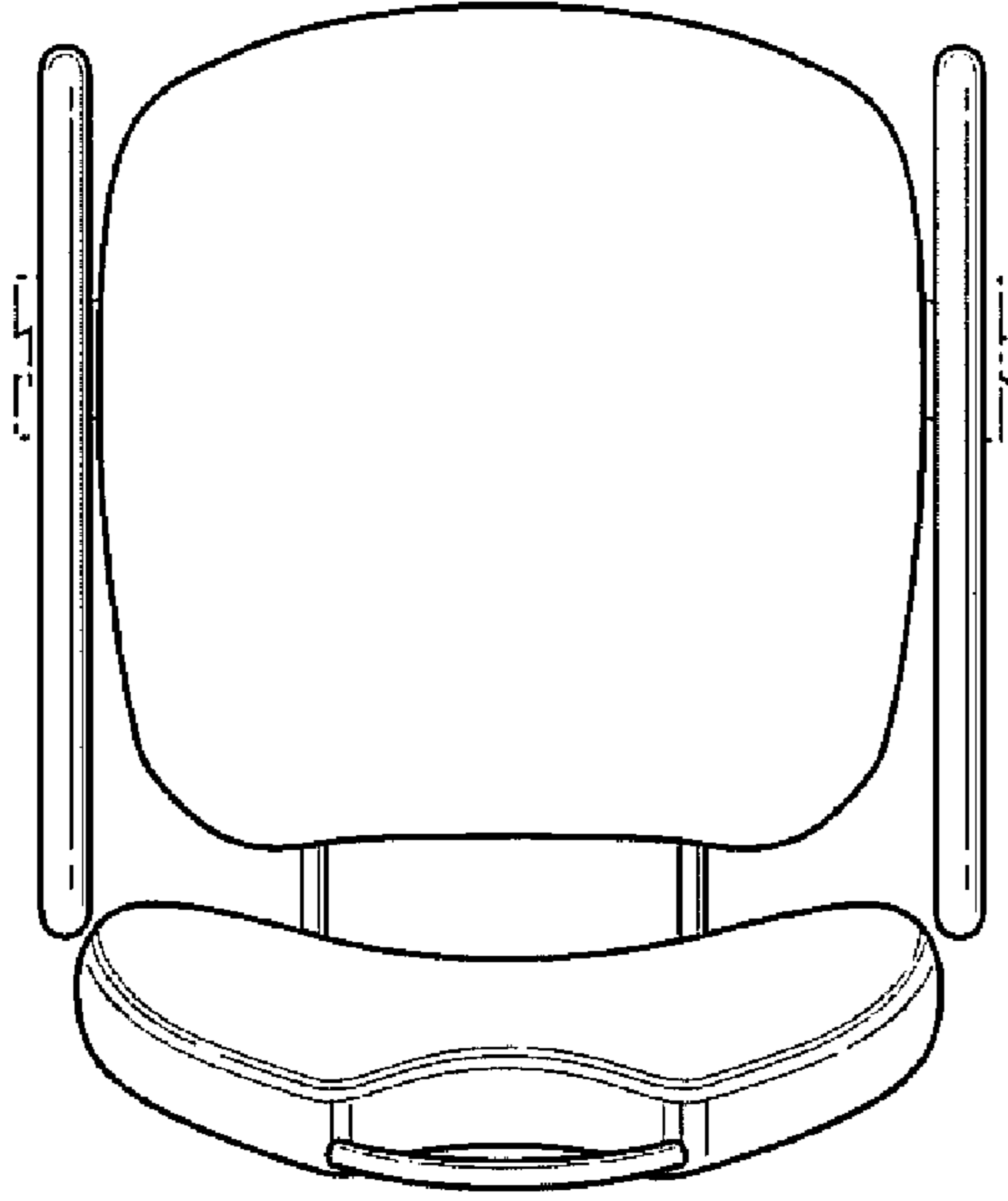


FIG - 8

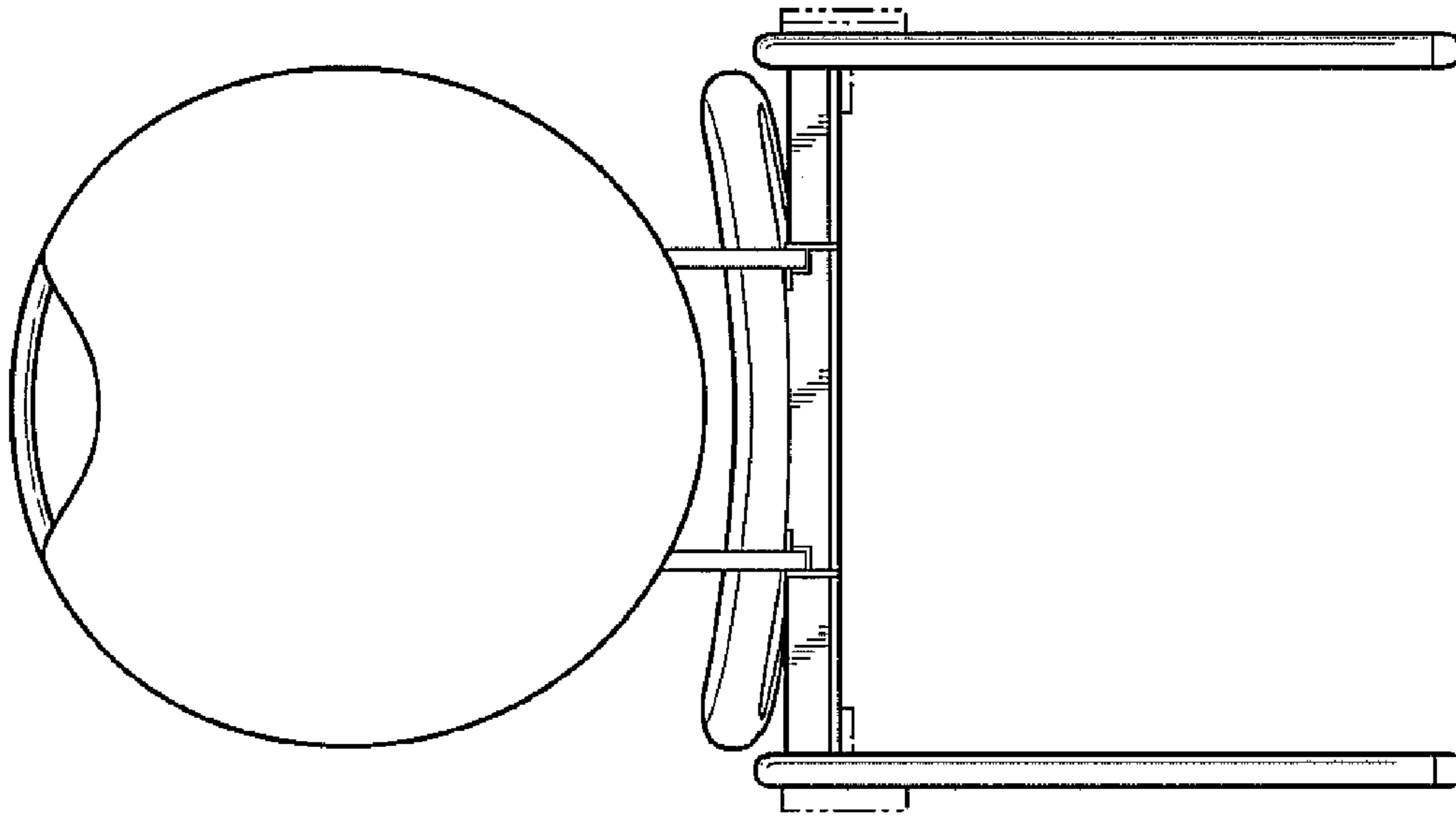


FIG - 10

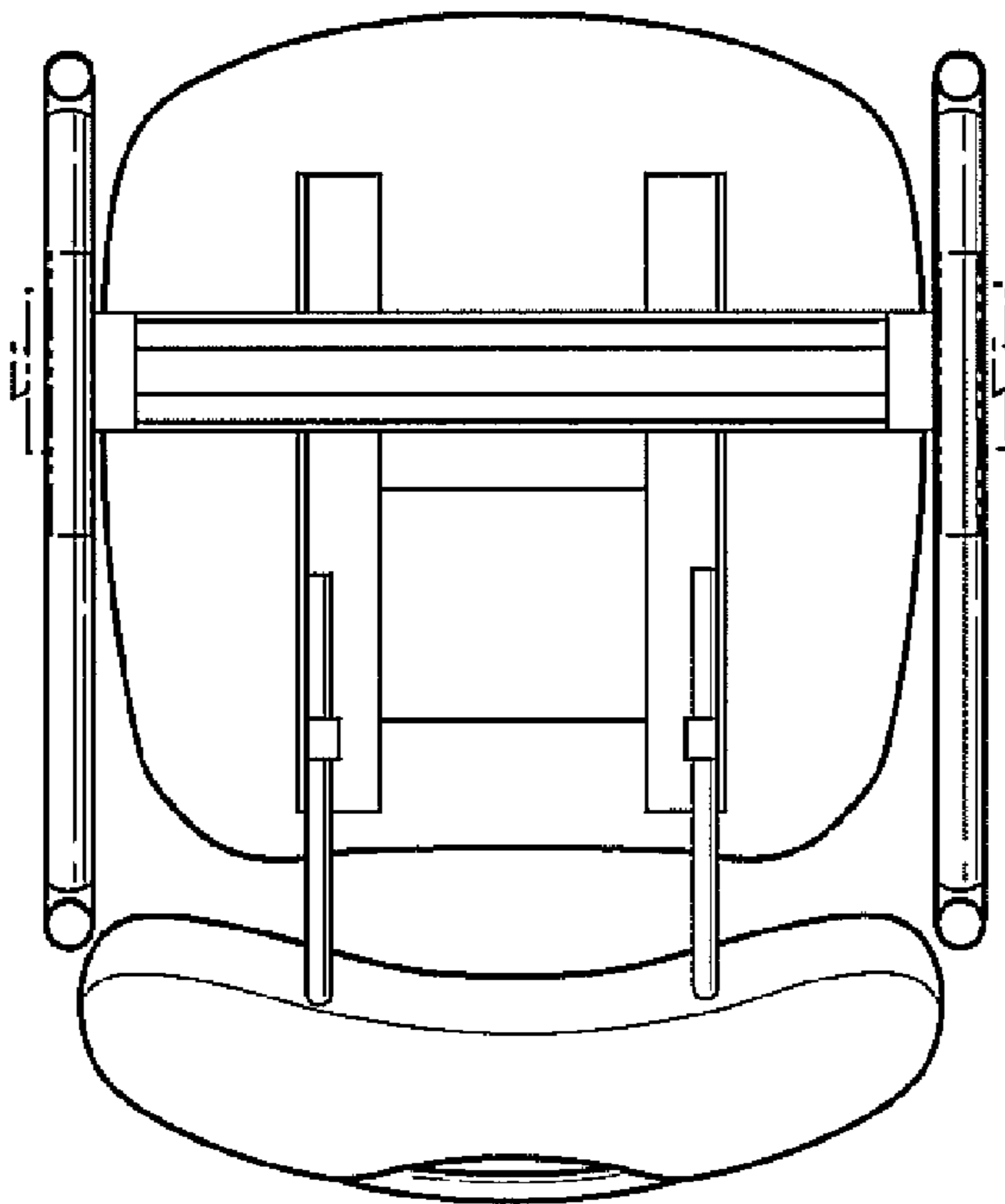


FIG - 9

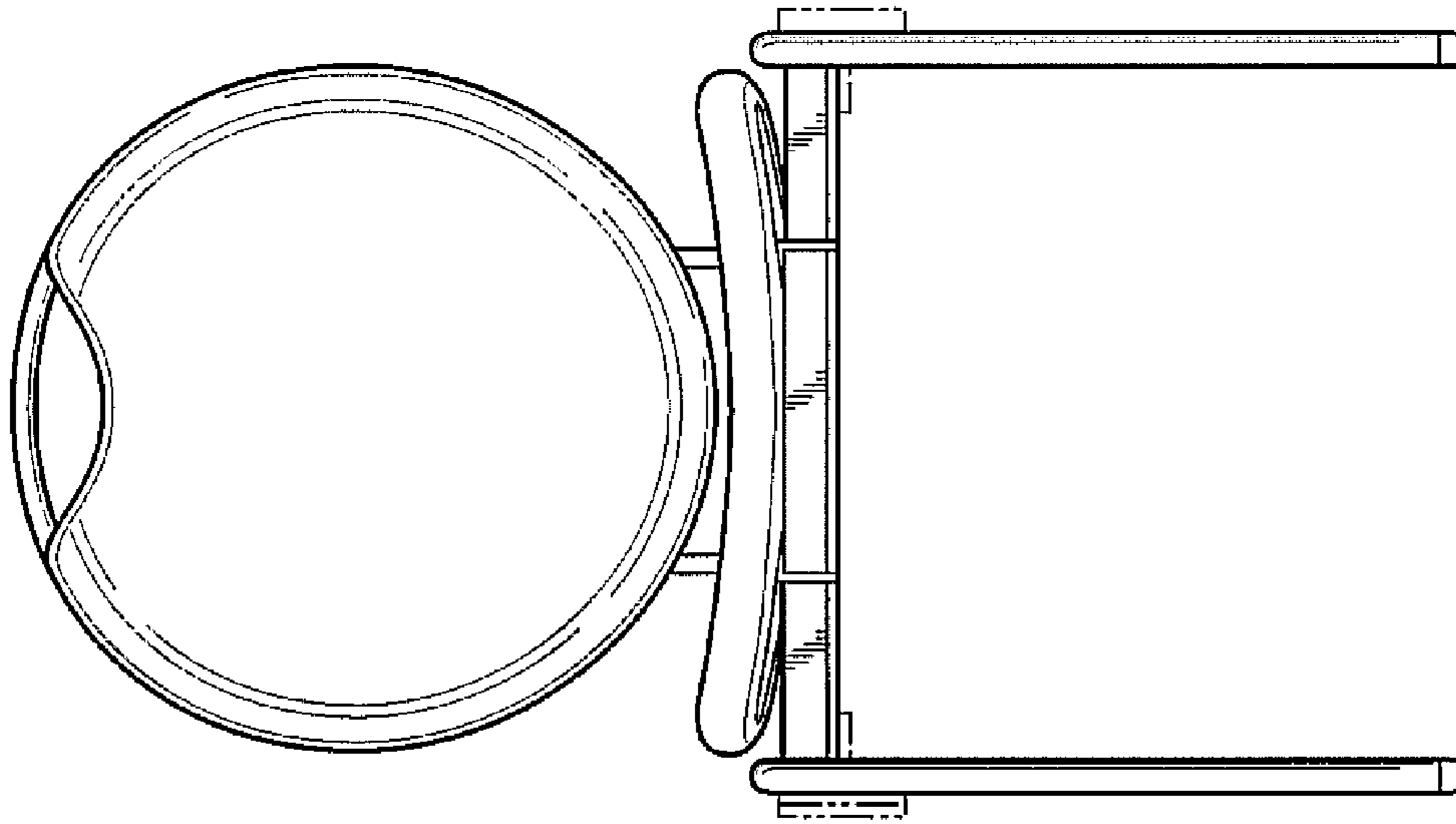


FIG - 12

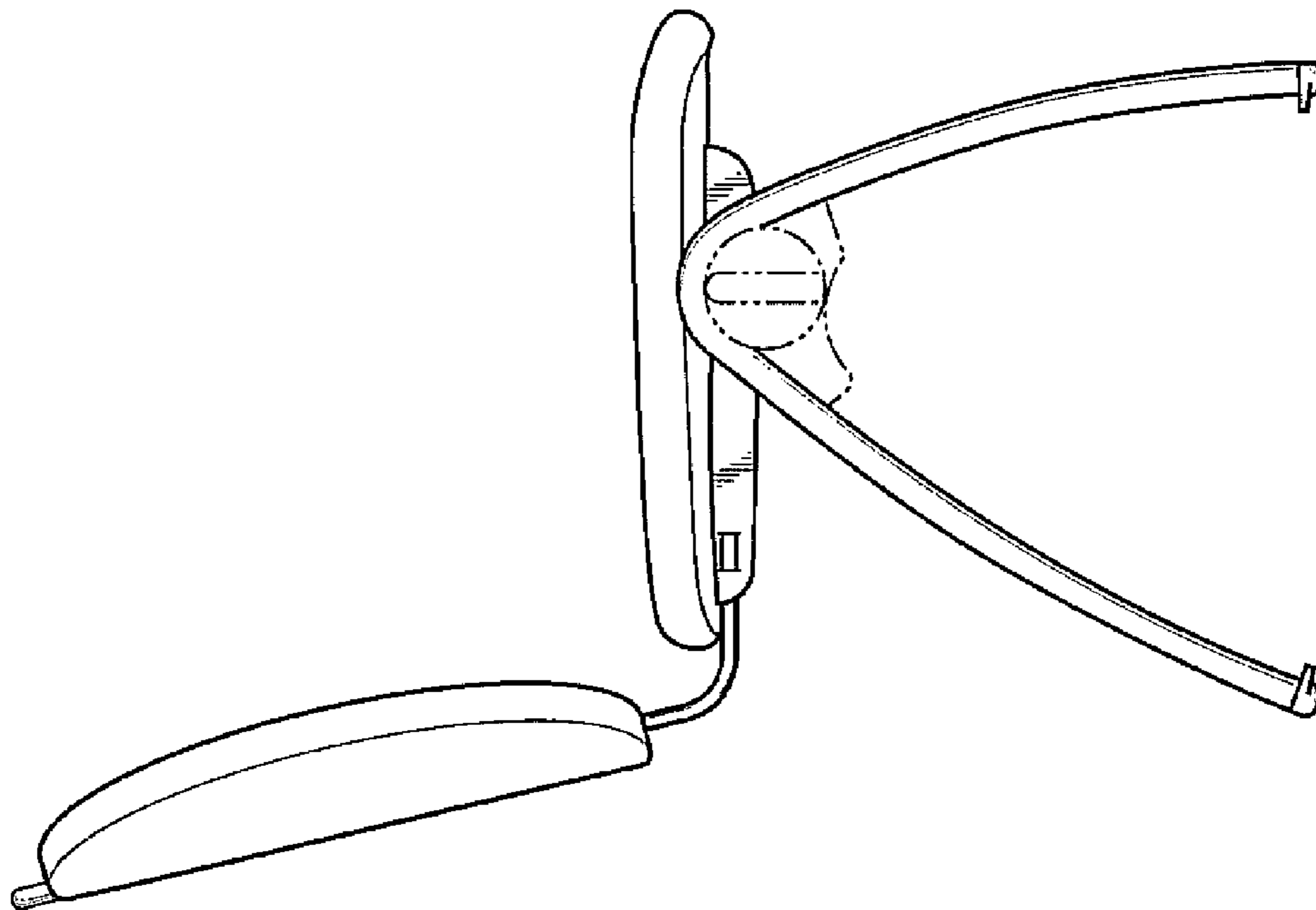


FIG - 11