



US00D574623S

(12) **United States Design Patent**  
**Bartlmae**

(10) **Patent No.:** **US D574,623 S**  
(45) **Date of Patent:** **\*\* Aug. 12, 2008**

(54) **CHAIR**

(76) Inventor: **Kerstin Bartlmae**, Via Simone Stefani  
20B, S. Margherita Lig. (GE) (IT)  
I-16038

(\*\*) Term: **14 Years**

(21) Appl. No.: **29/279,872**

(22) Filed: **May 9, 2007**

(51) **LOC (8) Cl.** ..... **06-01**

(52) **U.S. Cl.** ..... **D6/374; D6/380**

(58) **Field of Classification Search** ..... D6/334-336,  
D6/370-373, 374, 375, 376, 379, 380, 500-502;  
297/183.7, 239, 445.1, 446.1, 448.1, 451.1,  
297/452.18, 452.2, 452.48, 452.65  
See application file for complete search history.

(56) **References Cited**

**U.S. PATENT DOCUMENTS**

D169,930	S	*	6/1953	Chapman et al.	.....	D6/374
3,159,428	A	*	12/1964	Schier	.....	297/452.65
D200,532	S	*	3/1965	Williams	.....	D6/380
3,291,529	A	*	12/1966	Straits	.....	297/183.7
3,403,882	A	*	10/1968	Lindqvist	.....	297/448.1
D413,029	S	*	8/1999	Caruso	.....	D6/374
D469,621	S	*	2/2003	Kita	.....	D6/380
D486,317	S	*	2/2004	Roth	.....	D6/379
D513,456	S	*	1/2006	Smith	.....	D6/380
D541,069	S	*	4/2007	Peitz et al.	.....	D6/374
D542,553	S	*	5/2007	Peitz et al.	.....	D6/374
D544,228	S	*	6/2007	Bartlmae	.....	D6/374

**OTHER PUBLICATIONS**

Product Information from Hiller website (believed to have been offered for sale, publicly used, and/or published prior to the filing date of this application).

\* cited by examiner

*Primary Examiner*—Mimosa De

(74) *Attorney, Agent, or Firm*—Gifford, Krass, Sprinkle, Anderson & Citkowski, P.C.

(57) **CLAIM**

The ornamental design for a chair, as shown and described.

**DESCRIPTION**

FIG. 1 is a perspective view of a first embodiment of a chair according to the present invention;

FIG. 2 is a top plan view of the chair of FIG. 1;

FIG. 3 is a bottom view of the chair of FIGS. 1 and 2;

FIG. 4 is a rear elevational view of the chair of FIGS. 1-3;

FIG. 5 is a side-elevational view of the chair of FIGS. 1-4, the other side view being a mirror image thereof;

FIG. 6 is a front-elevational view of the chair of FIGS. 1-5;

FIG. 7 is a perspective view of a second embodiment of a chair according to the present invention;

FIG. 8 is a top plan view of the chair of FIG. 7;

FIG. 9 is a bottom view of the chair of FIGS. 7 and 8;

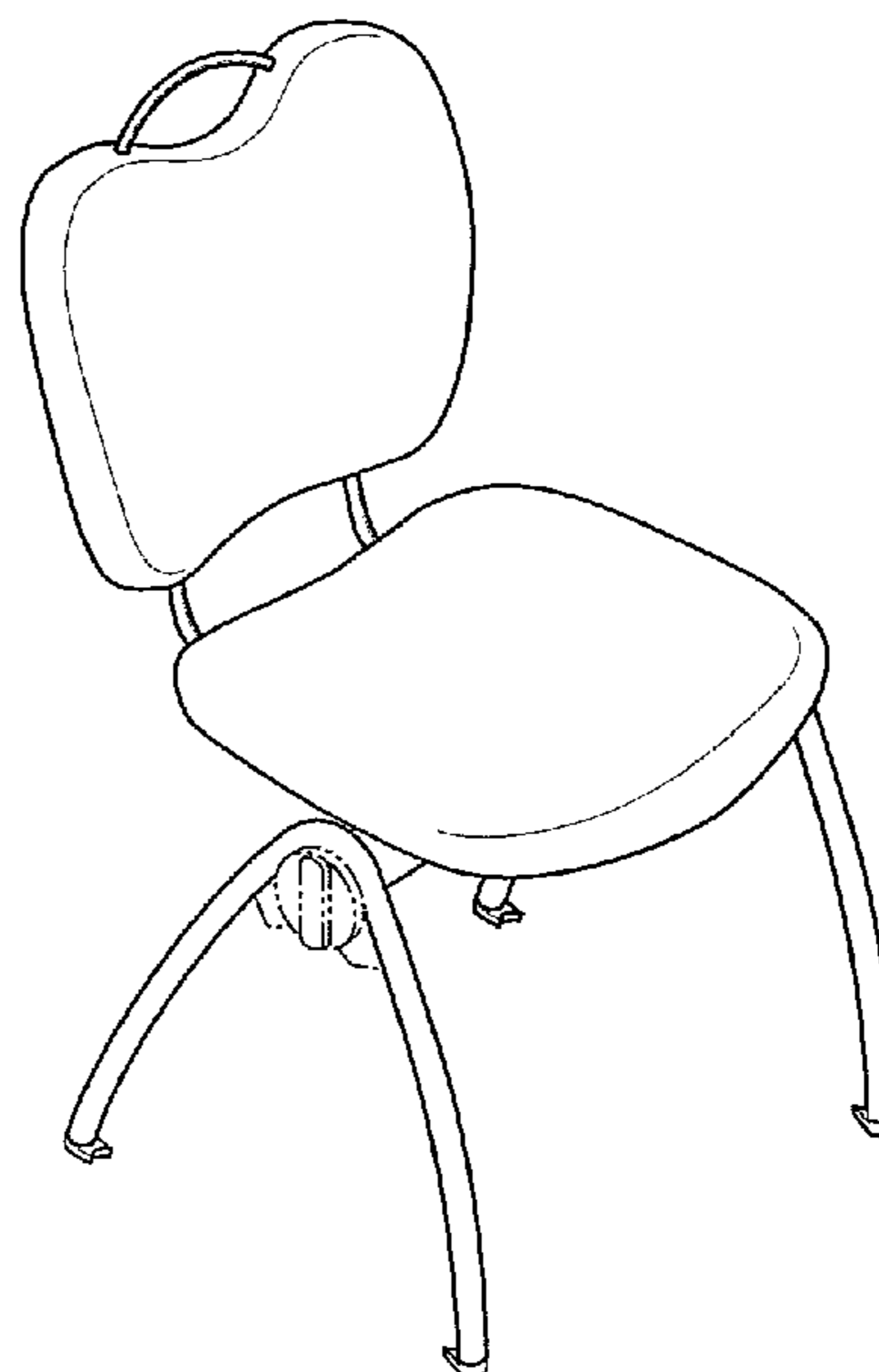
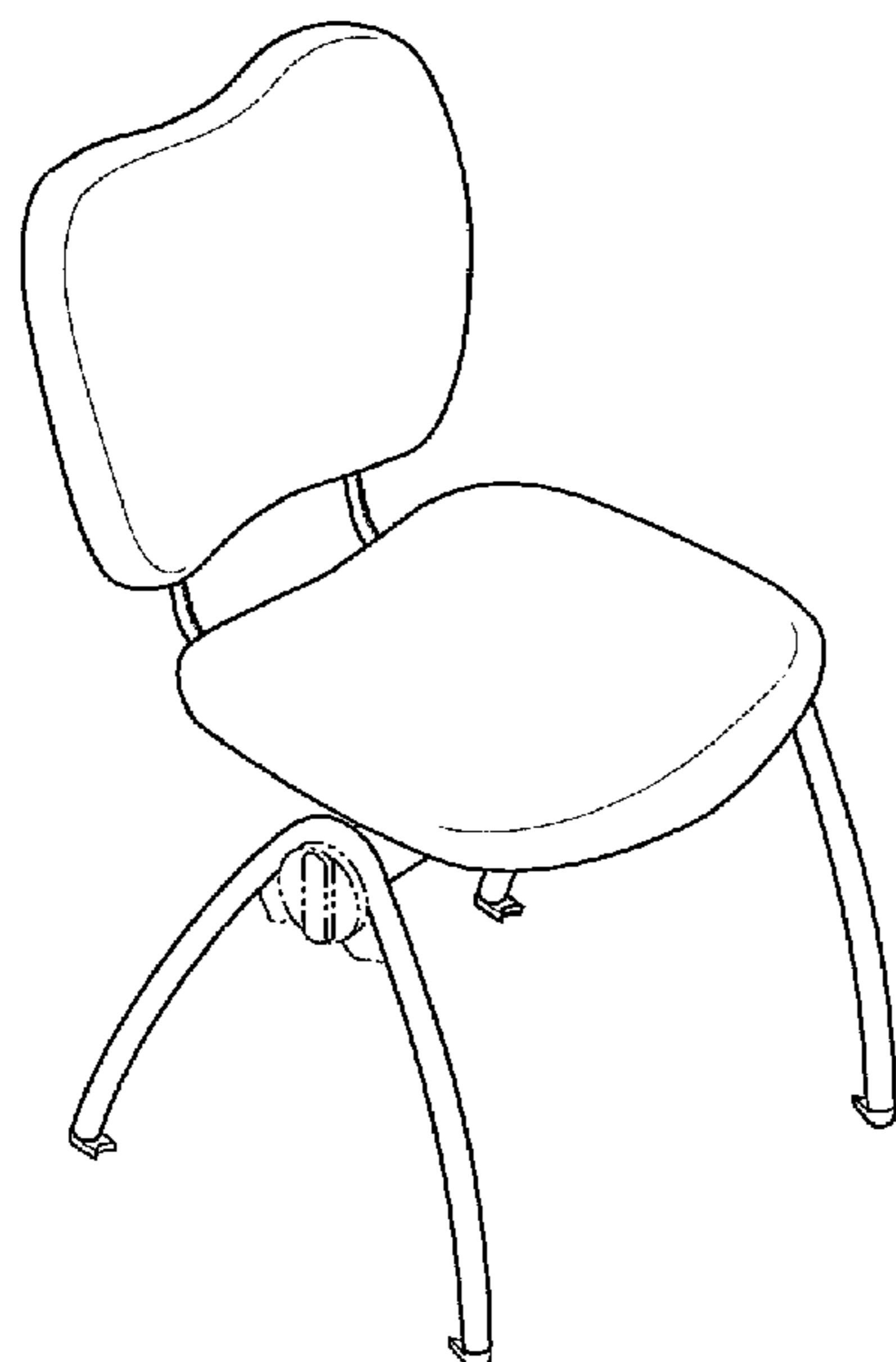
FIG. 10 is a rear elevational view of the chair of FIGS. 7-9;

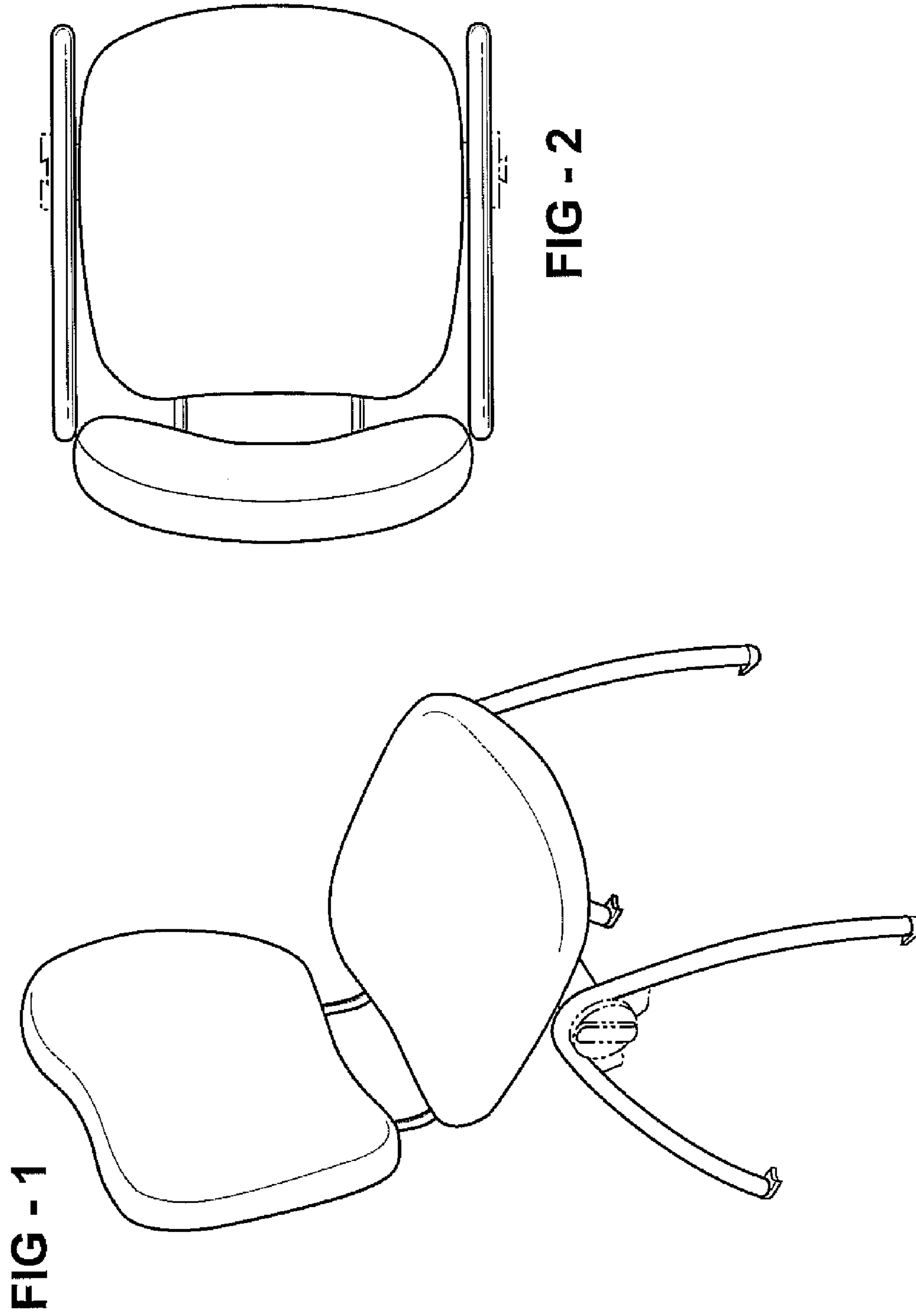
FIG. 11 is a side-elevational view of the chair of FIGS. 7-10, the other side view being a mirror image thereof; and,

FIG. 12 is a front-elevational view of the chair of FIGS. 7-11.

The broken lines shown in the Figures are for environmental purposes only and form no part of the claimed design.

**1 Claim, 6 Drawing Sheets**





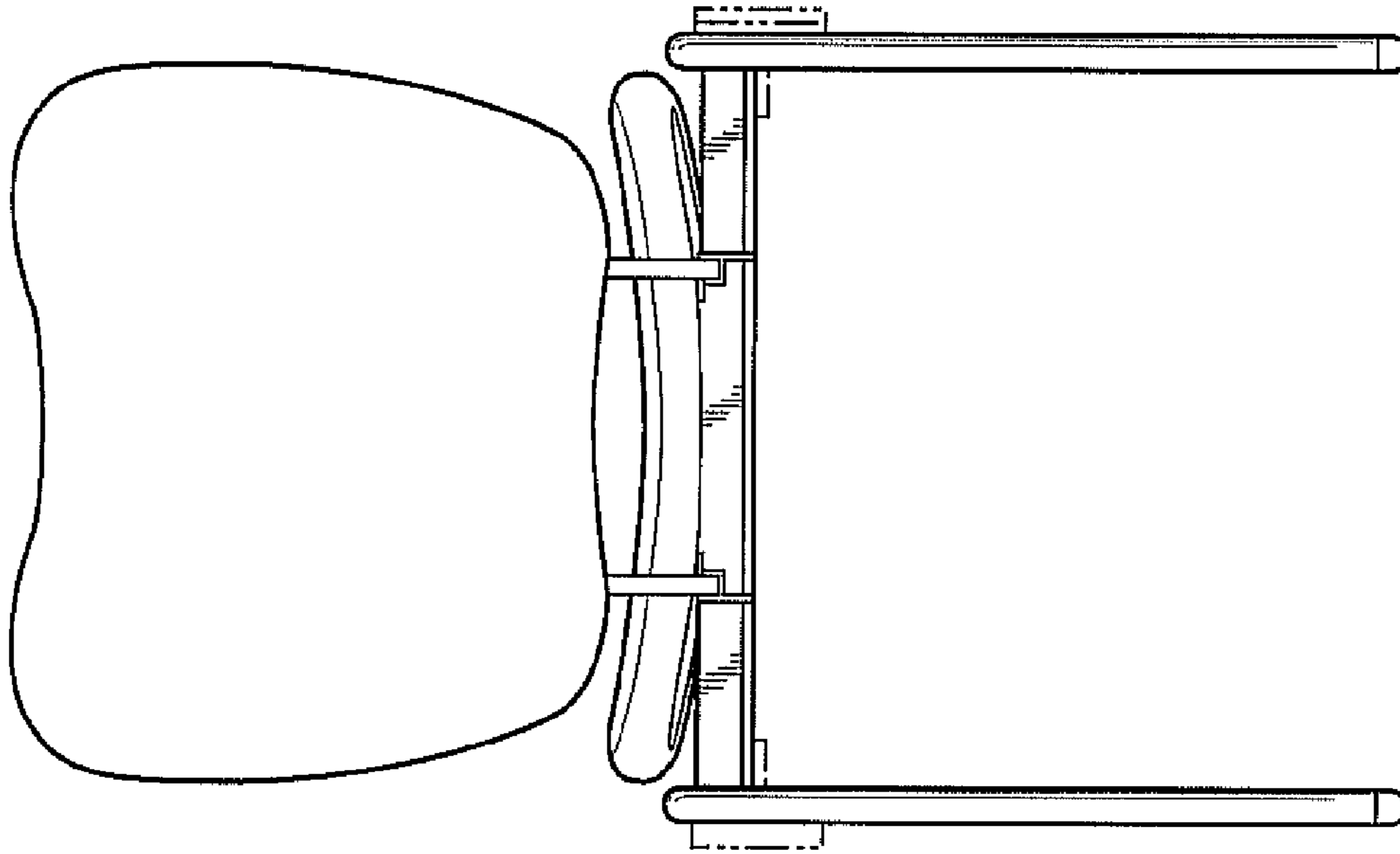


FIG - 4

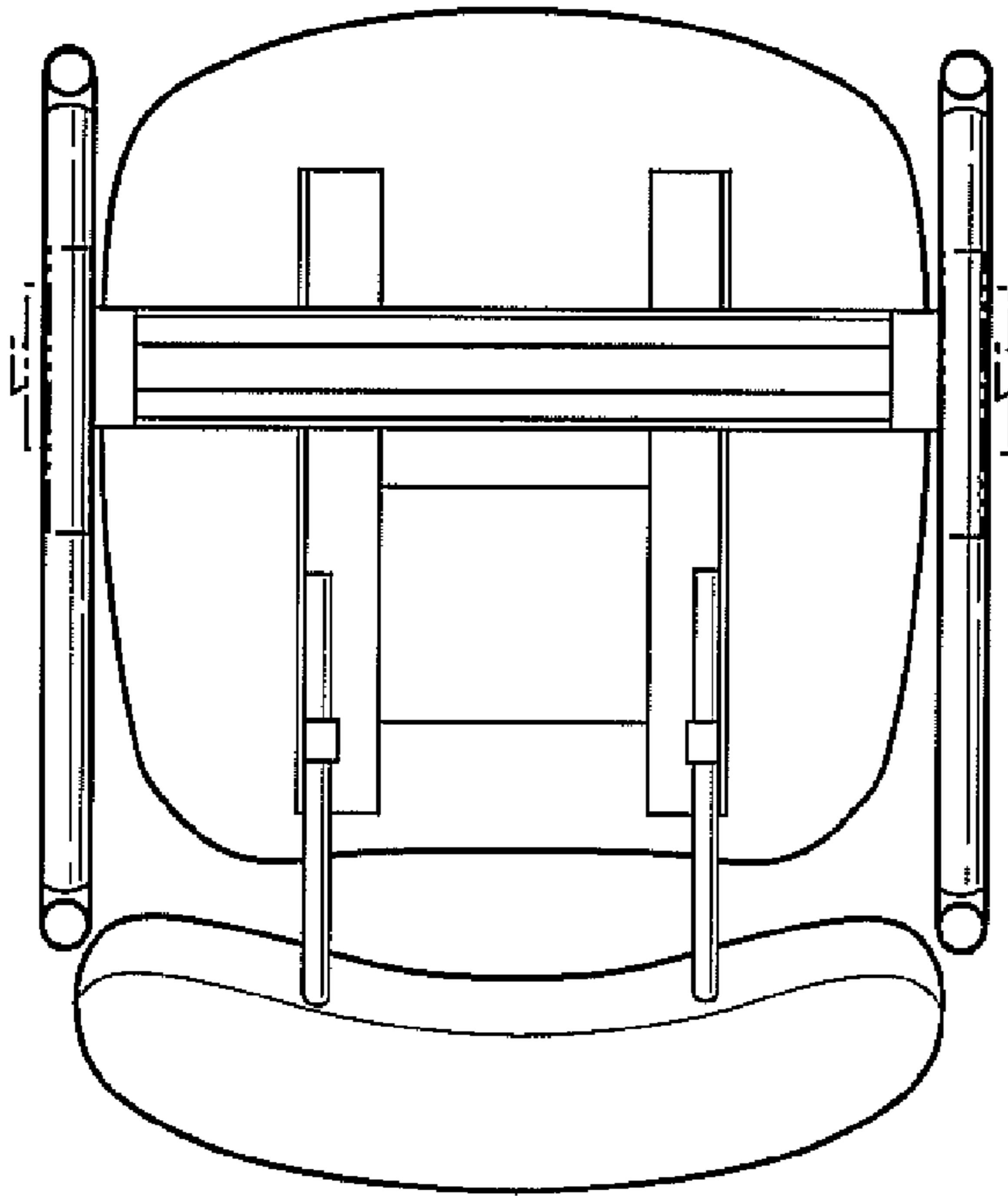


FIG - 3

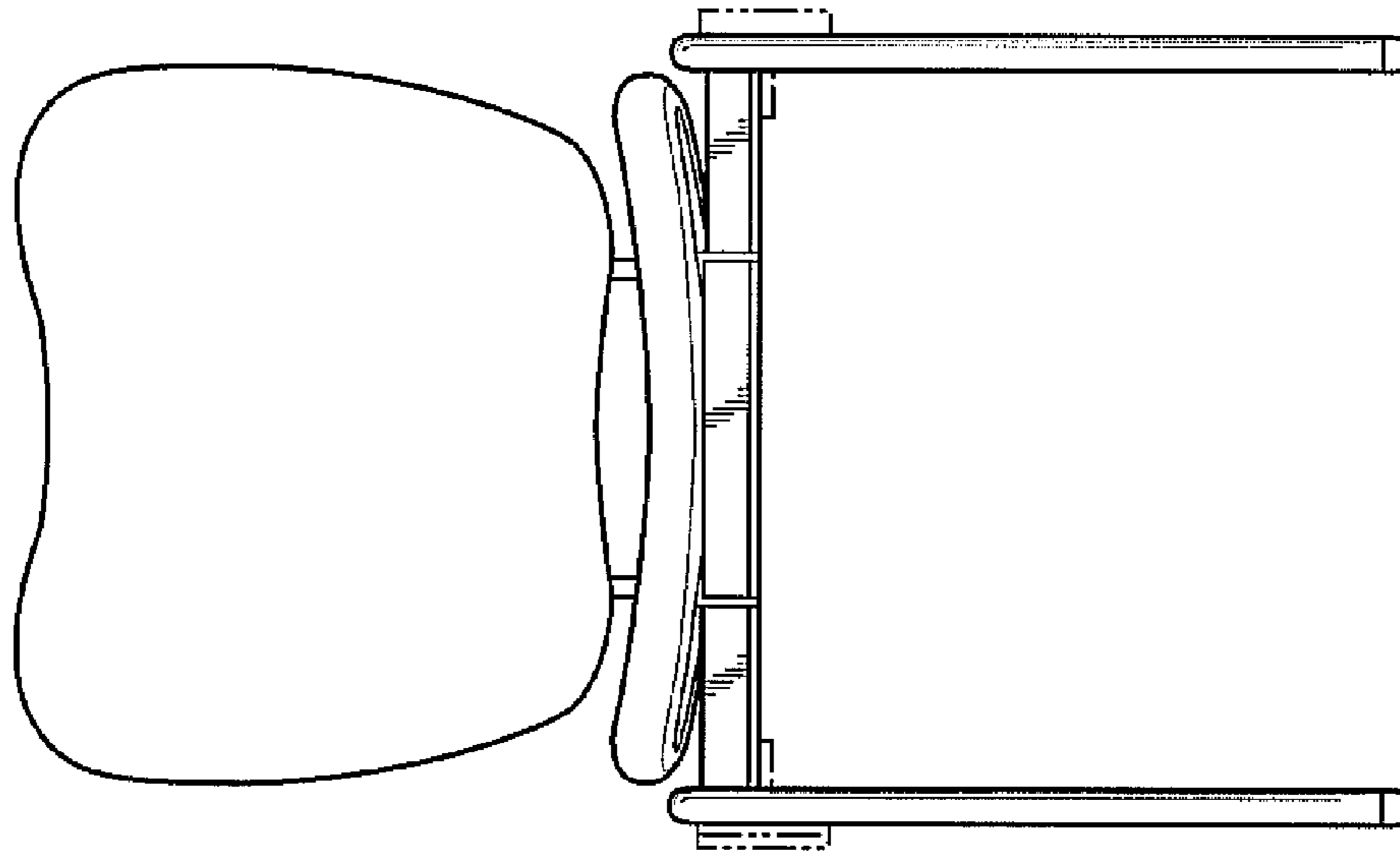


FIG - 6

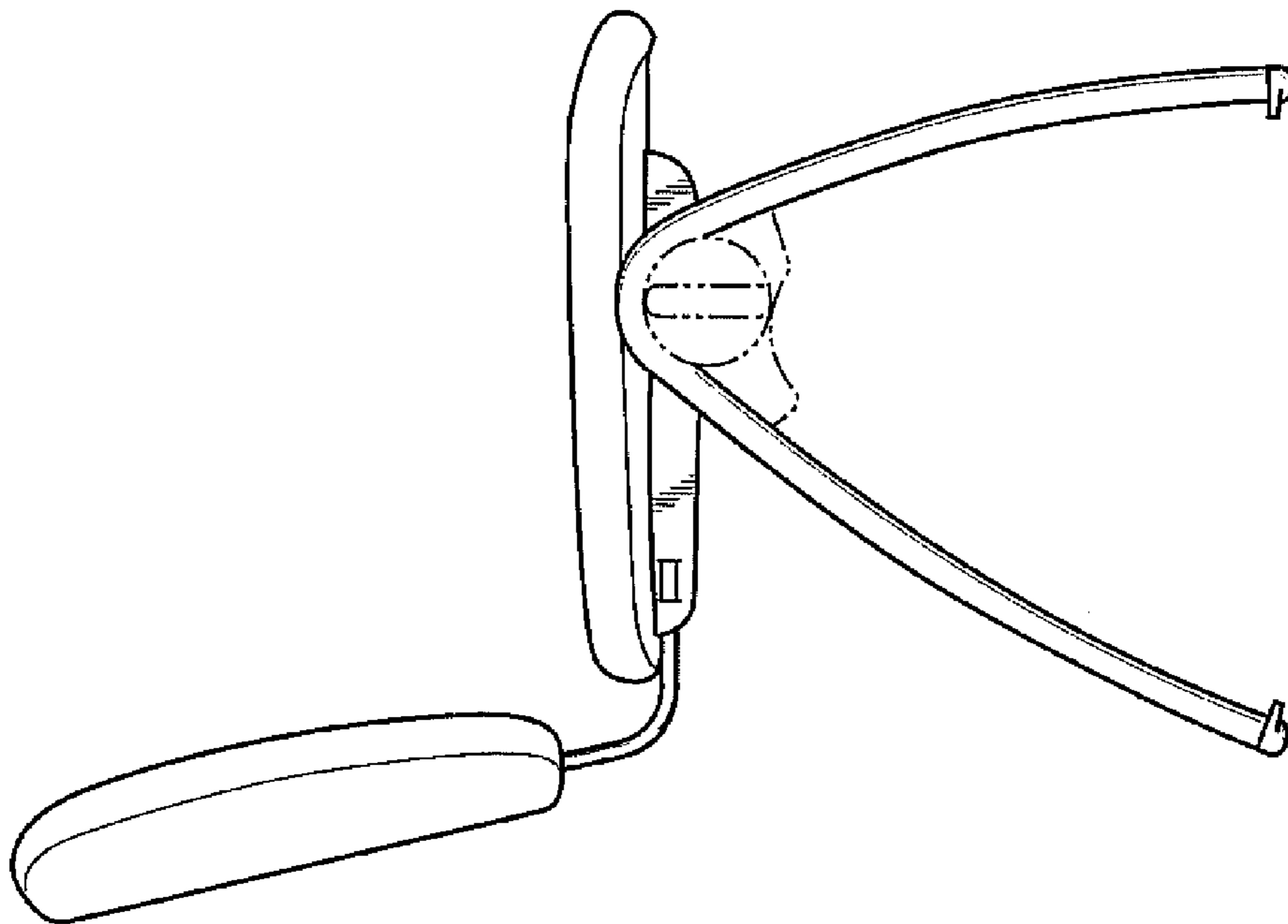


FIG - 5

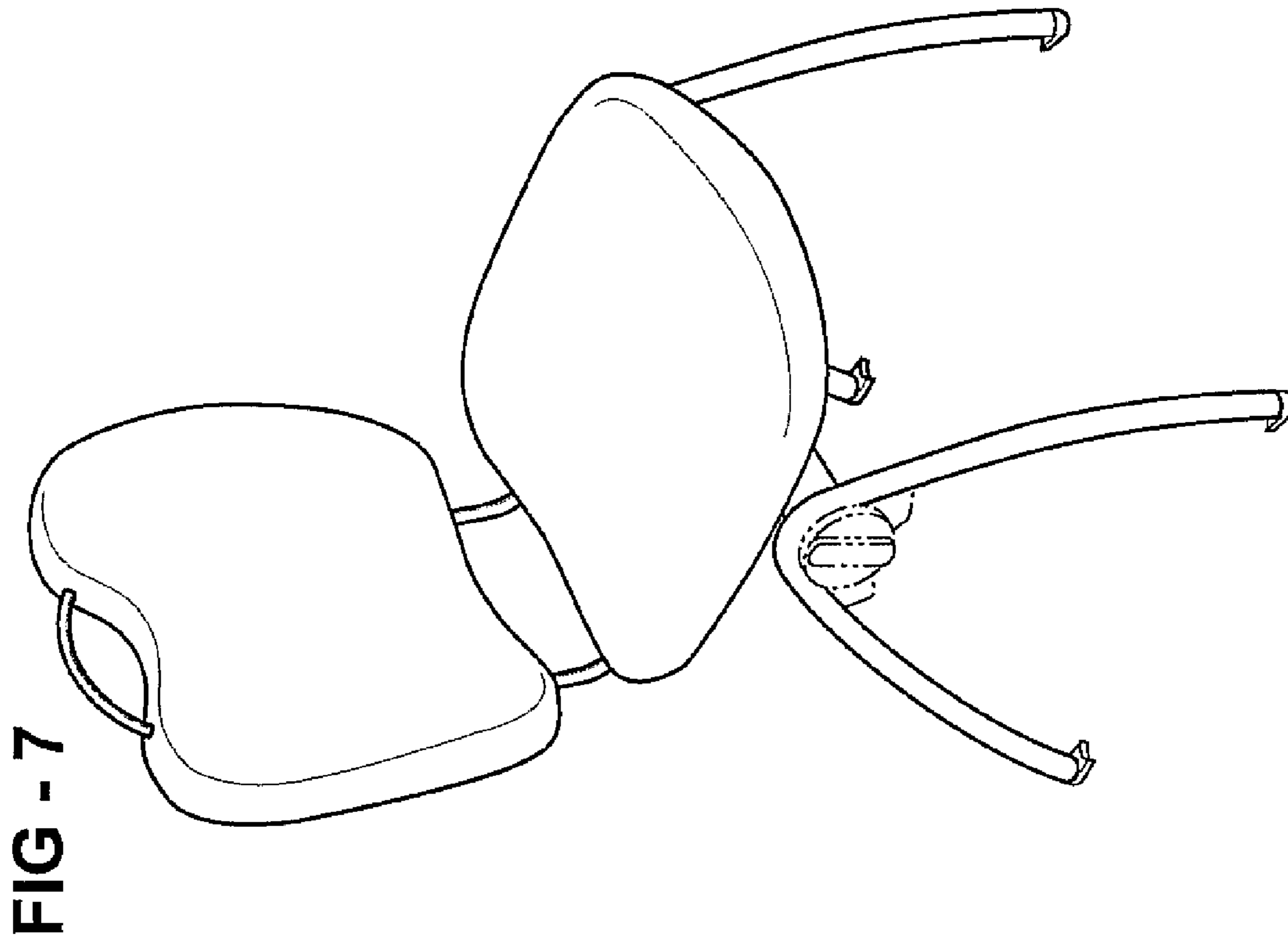


FIG - 7

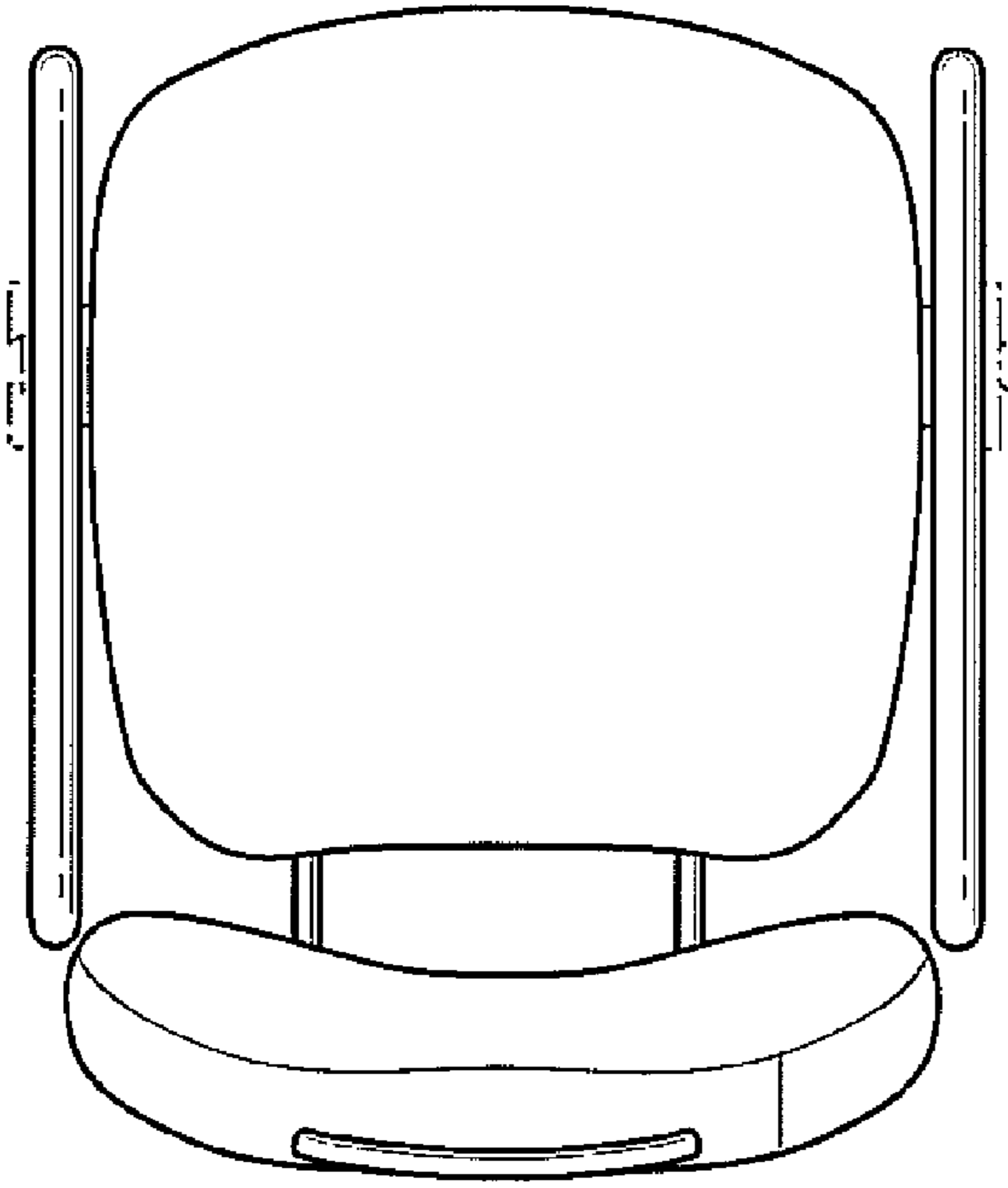


FIG - 8

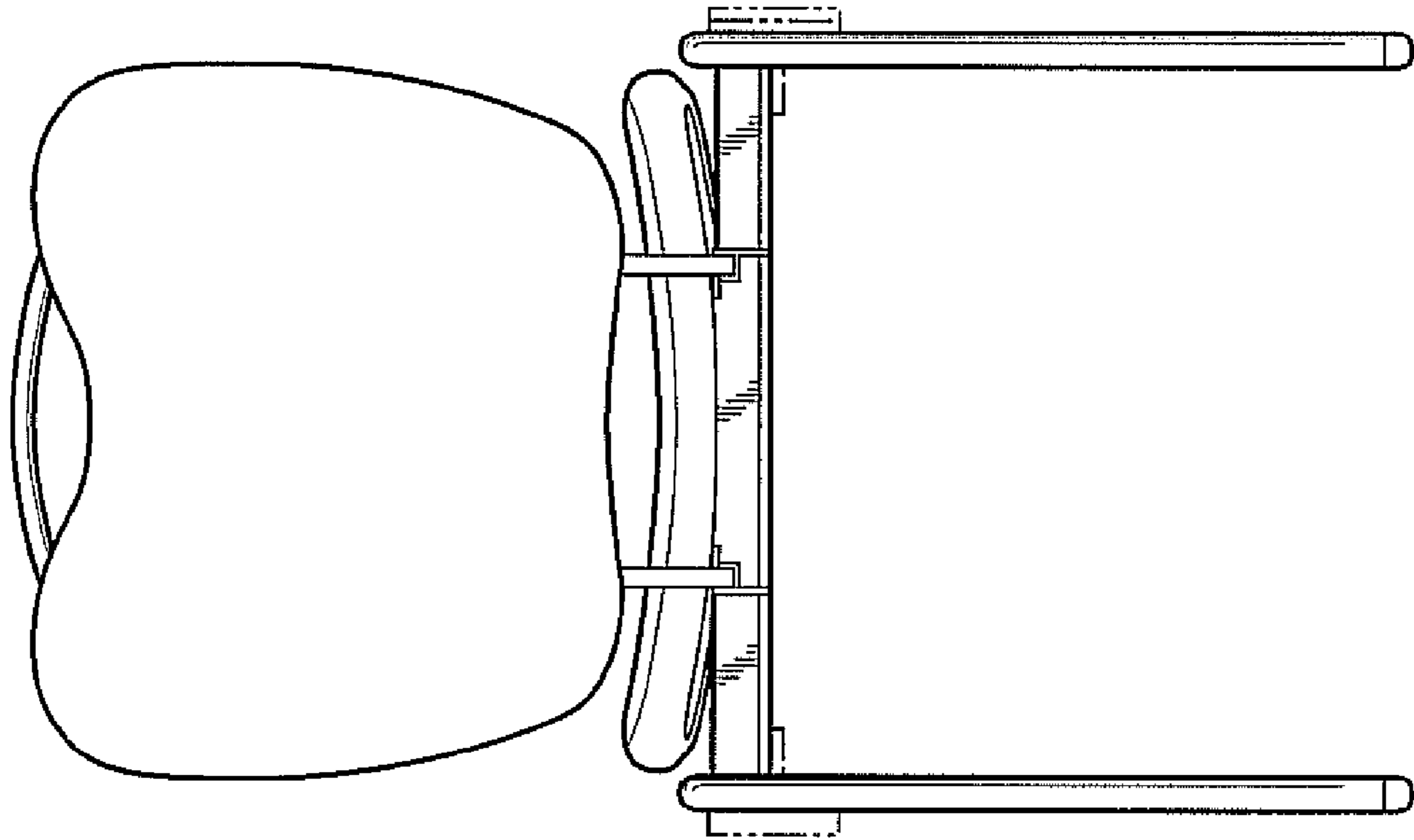


FIG - 10

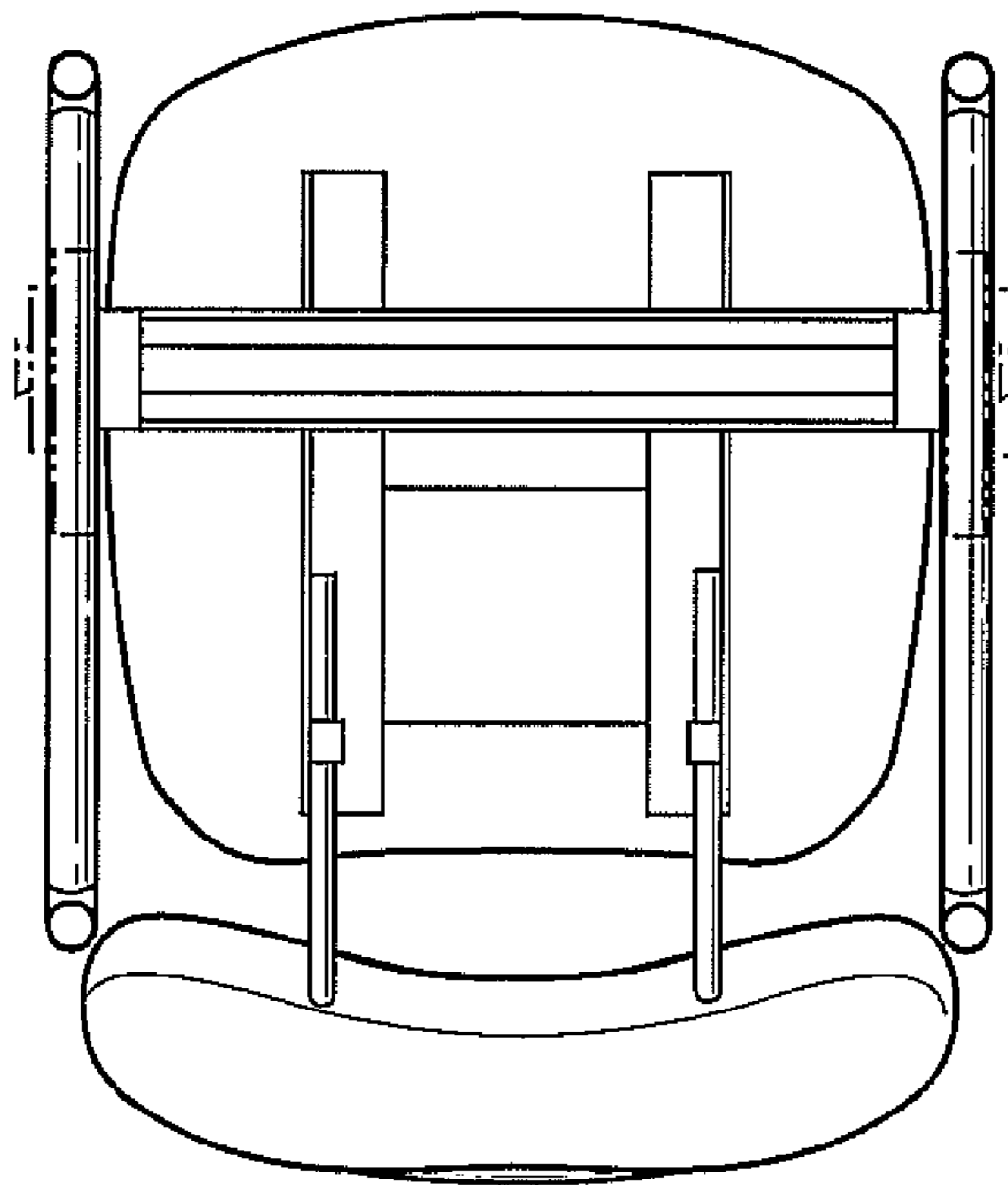


FIG - 9

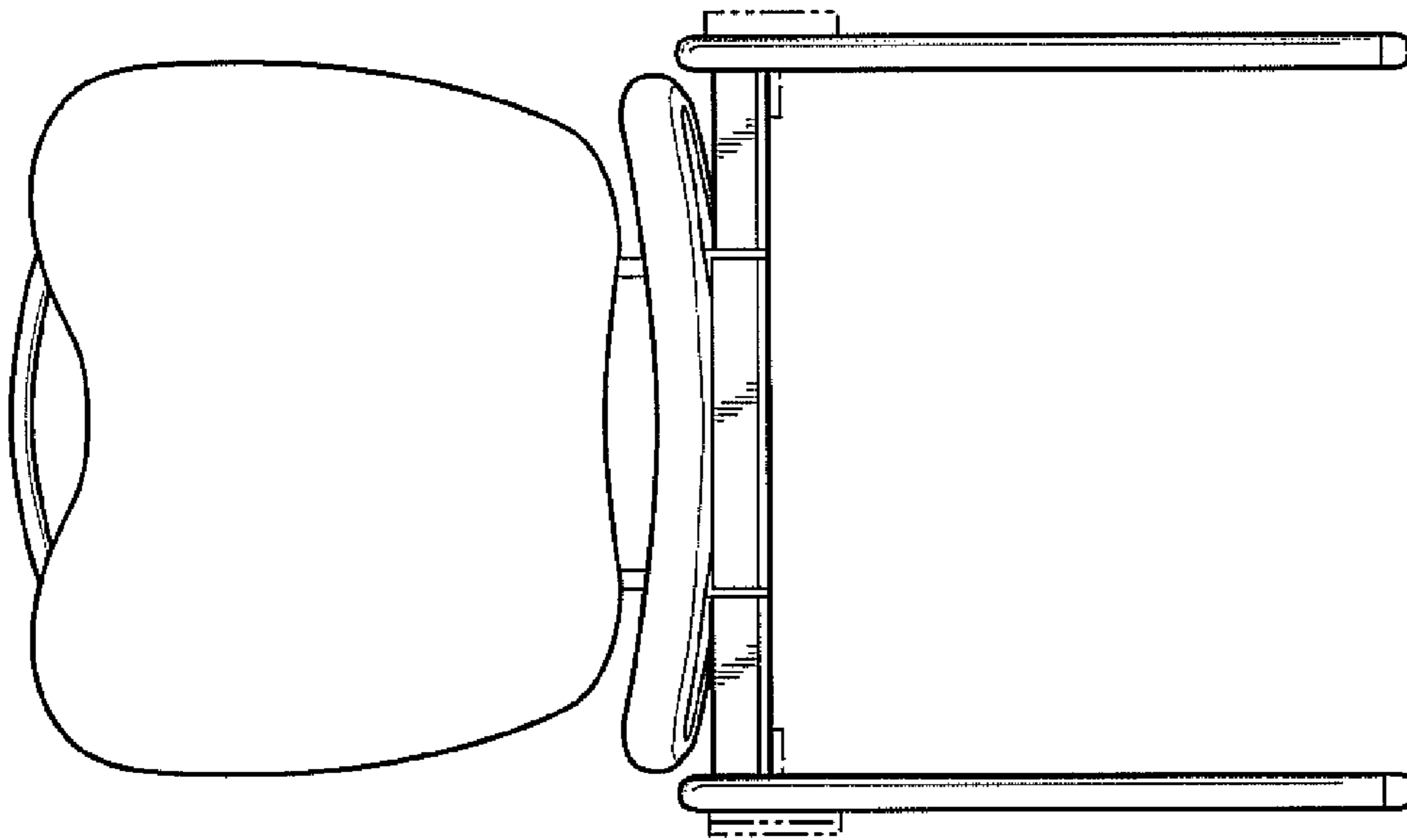


FIG - 12

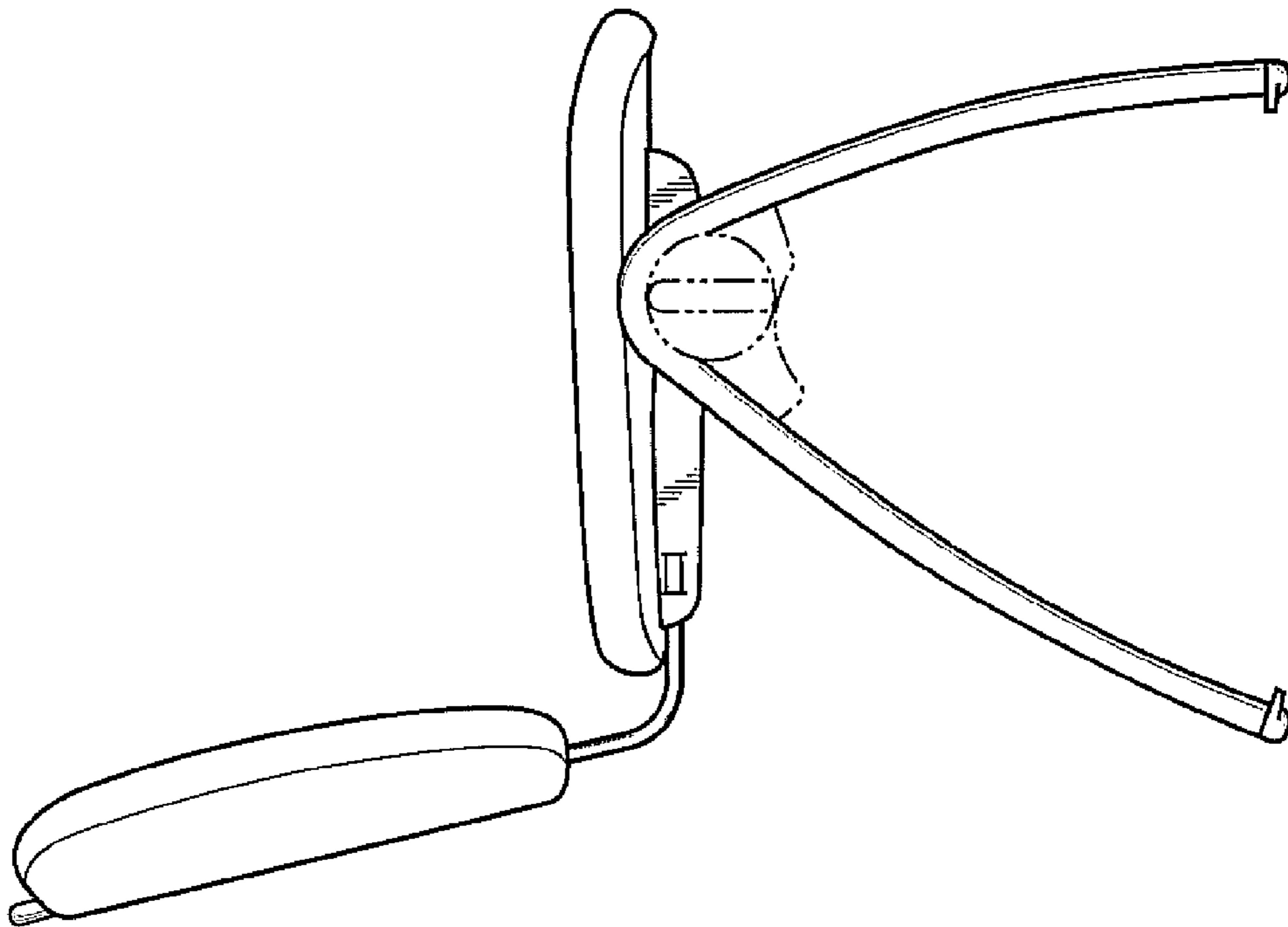


FIG - 11