



US00D574617S

(12) **United States Design Patent**
Gamez et al.

(10) **Patent No.:** **US D574,617 S**

(45) **Date of Patent:** **** Aug. 12, 2008**

(54) **PAINT APPLICATOR WITH ADJUSTABLE NOZZLES**

(76) Inventors: **Rodolfo Gamez**, 3621 Akers Ct., High Point, NC (US) 27263; **Refugio Gamez**, 3626 Akers Ct., High Point, NC (US) 27263

(**) Term: **14 Years**

(21) Appl. No.: **29/224,216**

(22) Filed: **Feb. 28, 2005**

(51) **LOC (8) Cl.** **04-04**

(52) **U.S. Cl.** **D4/114; D4/137**

(58) **Field of Classification Search** D4/114, D4/127, 135, 137, 138; D9/526, 529, 540, D9/548, 575, 723, 725, 727; D19/41, 43, D19/51; 401/183, 184, 196, 198, 199, 207
See application file for complete search history.

(56) **References Cited**

U.S. PATENT DOCUMENTS

902,671	A *	11/1908	Mauk	401/202
2,820,233	A *	1/1958	Steiner	401/183
2,936,473	A	5/1960	Karnes		
D200,385	S *	2/1965	Tinsley	D28/7
3,369,543	A *	2/1968	Ronco	604/2
D285,730	S *	9/1986	Bulwick	D28/7
D297,114	S	8/1988	Holmstadt et al.		
4,848,947	A	7/1989	Kremer et al.		
5,615,963	A	4/1997	Kobayashi		
D403,347	S *	12/1998	Cockram	D19/51

5,857,796	A	1/1999	Waldmann		
6,095,705	A	8/2000	Phillips		
6,099,184	A	8/2000	Koptis		
6,641,320	B1 *	11/2003	Ballot et al.	401/206
2006/0113318	A1 *	6/2006	May et al.	222/94

FOREIGN PATENT DOCUMENTS

FR	2445705	A *	8/1980
JP	03121900	A *	5/1991

OTHER PUBLICATIONS

Title of Source: www.improvementscatalog.com, Name of Product: Paint Touch-Up Bottles, retrieved Feb. 25, 2005.

* cited by examiner

Primary Examiner—Cathron Brooks
Assistant Examiner—Lavone D Tabor

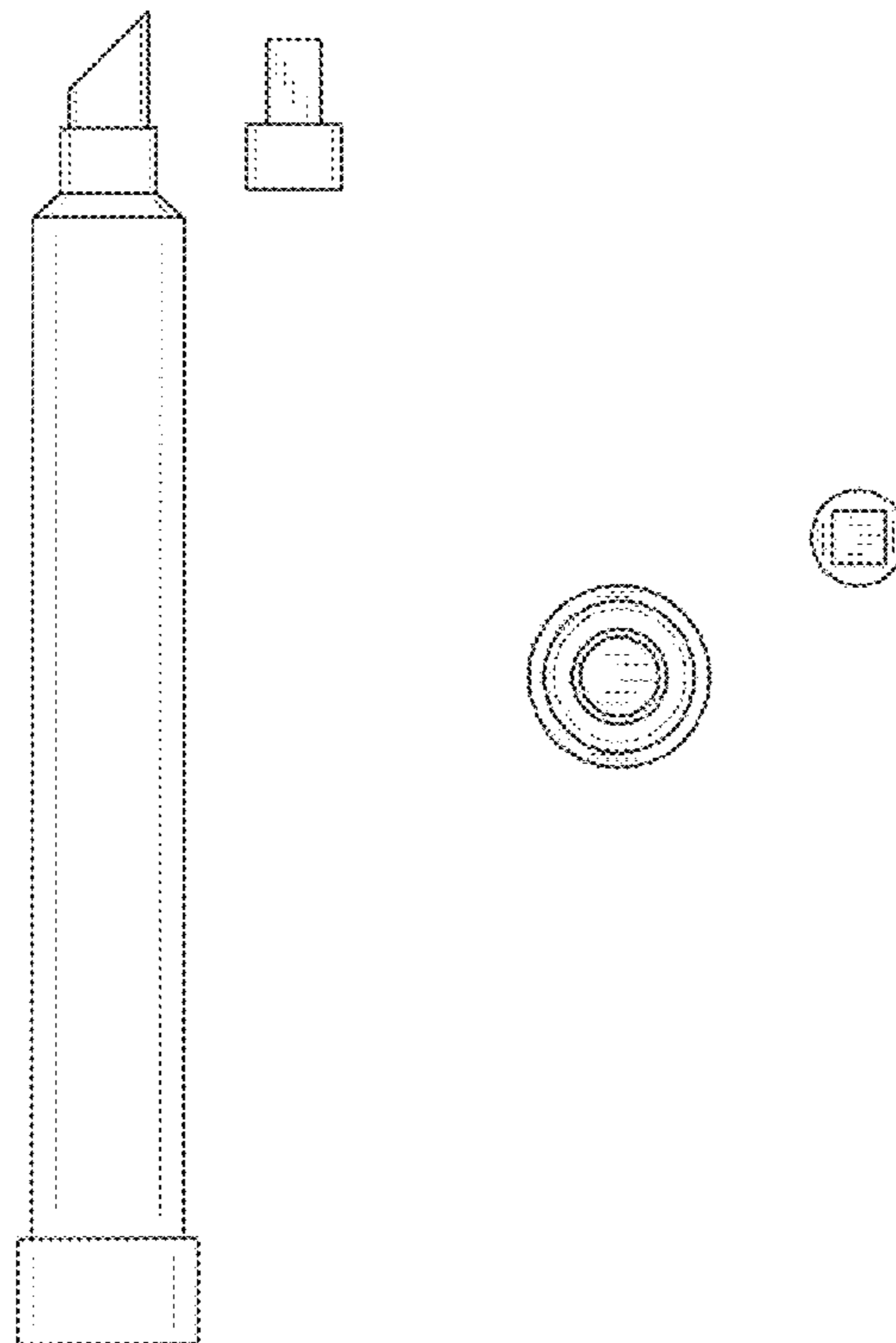
(57) **CLAIM**

The ornamental design for a paint applicator with adjustable nozzles, as shown and described.

DESCRIPTION

FIG. 1 is a front elevational view of a paint applicator with adjustable nozzles showing our new design;
FIG. 2 is a rear elevational view thereof;
FIG. 3 is a side elevational view thereof;
FIG. 4 is a top plan view thereof; and,
FIG. 5 is a bottom plan view thereof.

1 Claim, 3 Drawing Sheets



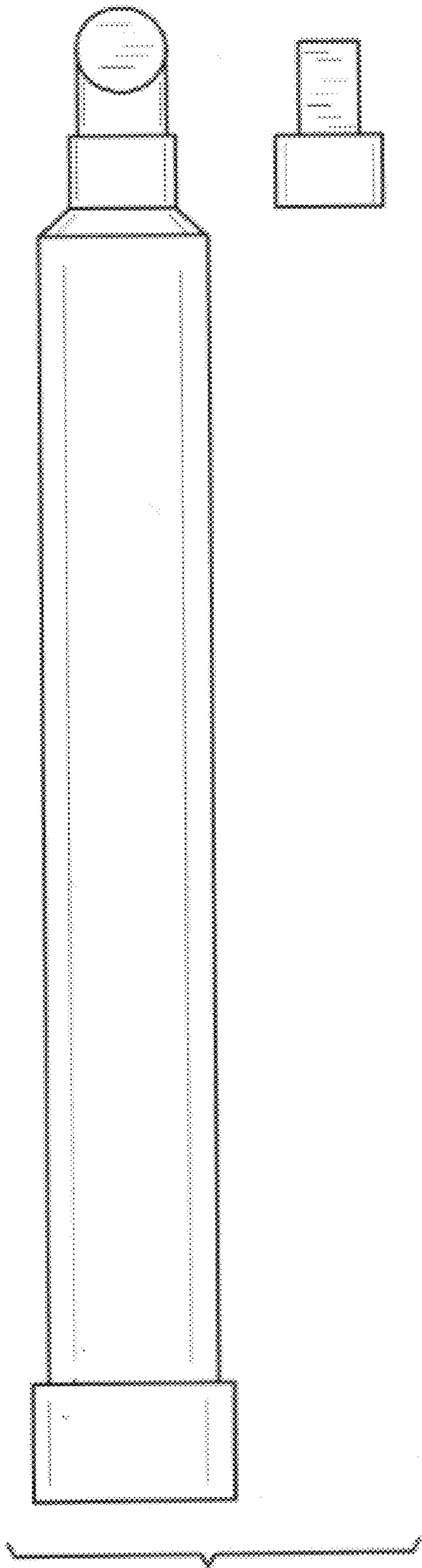


FIG. 1

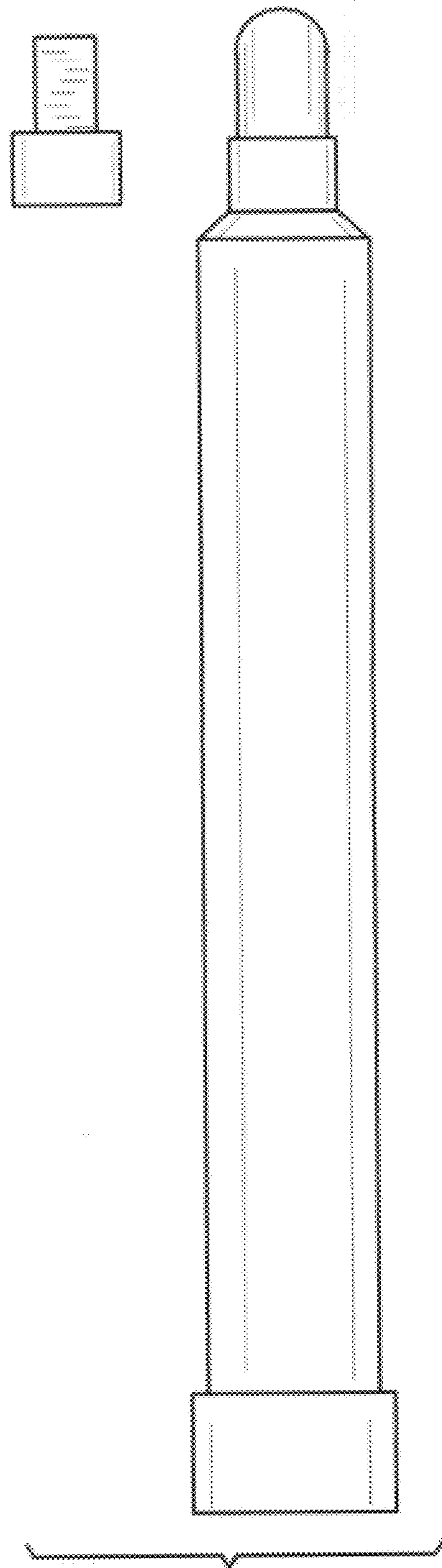


FIG. 2

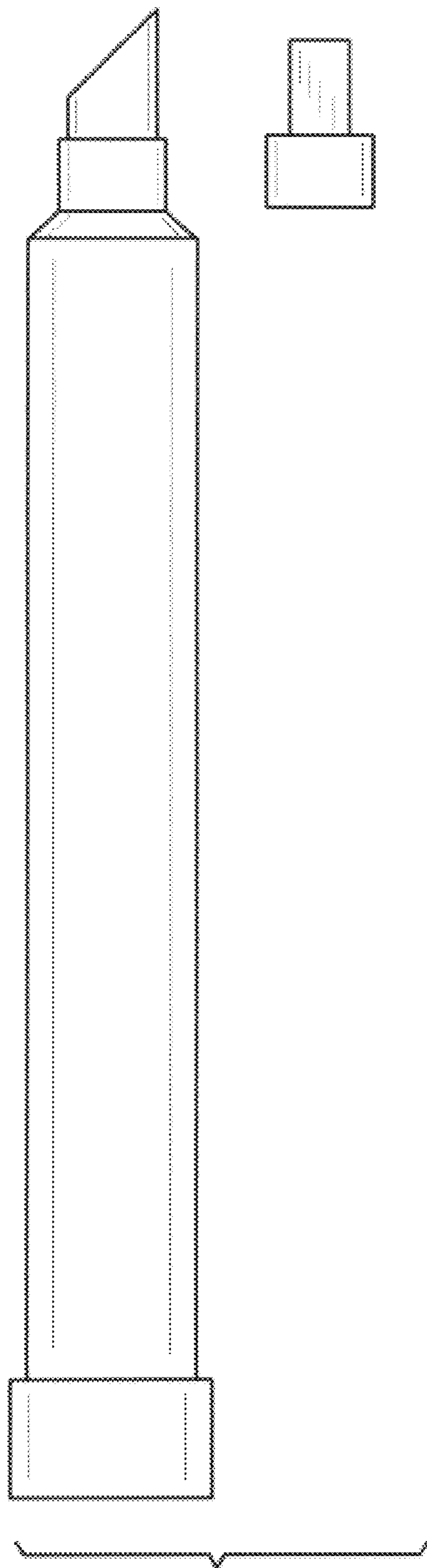


FIG. 3

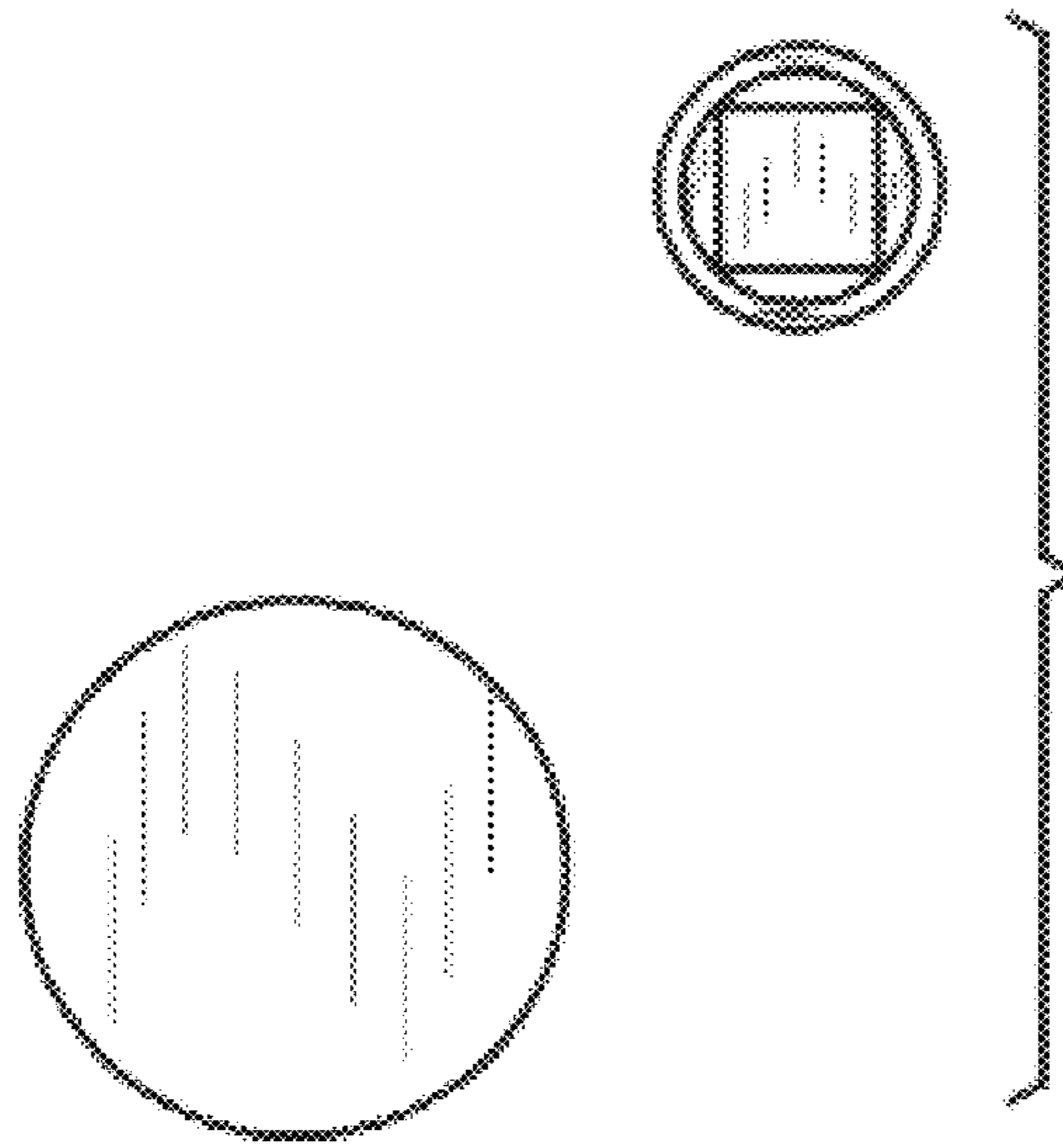


FIG. 5

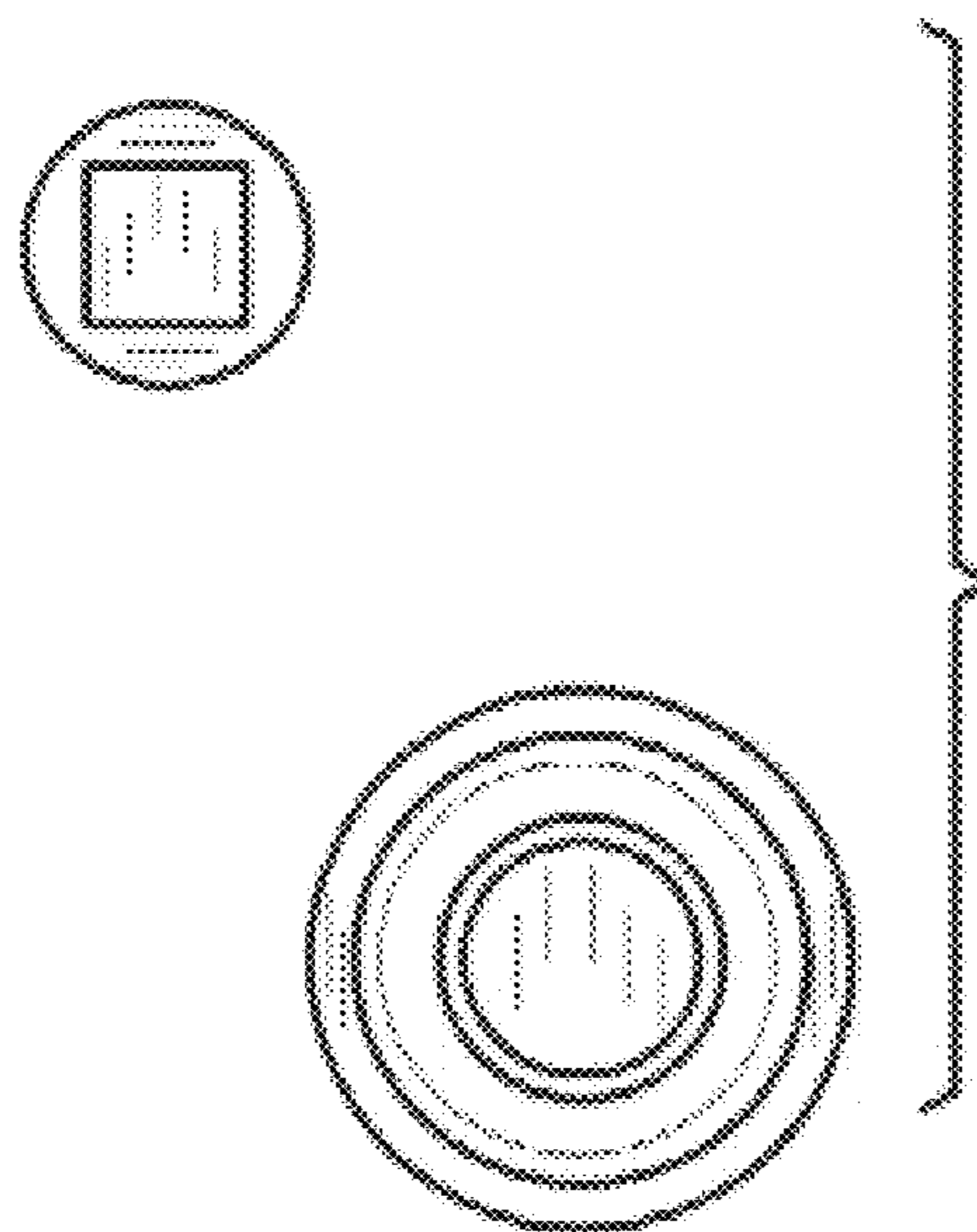


FIG. 4