



US00D574616S

(12) **United States Design Patent**
Tullney et al.

(10) **Patent No.:** **US D574,616 S**

(45) **Date of Patent:** **** Aug. 12, 2008**

(54) **STORAGE CONTAINER**

(75) Inventors: **Heiko Tullney**, Hamburg (DE); **Günter Wissmann**, Schenefeld (DE); **Elmar Krayer**, Langenargen (DE)

(73) Assignee: **J. Wagner GmbH**, Markdorf (DE)

(**) Term: **14 Years**

(21) Appl. No.: **29/289,396**

(22) Filed: **Jul. 18, 2007**

(30) **Foreign Application Priority Data**

Feb. 21, 2007 (EM) 000675178

(51) **LOC (8) Cl.** **03-01**

(52) **U.S. Cl.** **D3/291; D3/905; D3/281**

(58) **Field of Classification Search** D3/203.1,
D3/203.6, 204, 260, 269, 272-274, 276, 281-282,
D3/291, 302, 901, 905; D7/605; D34/3,
D34/7, 19; 206/319, 349, 372, 373, 822
See application file for complete search history.

(56) **References Cited**

U.S. PATENT DOCUMENTS

| | | | | |
|---------------|---------|----------------|-------|---------|
| D183,777 S * | 10/1958 | Weiss | | D3/280 |
| D217,232 S * | 4/1970 | Meller et al. | | D3/272 |
| D247,775 S * | 4/1978 | Watson-O'Hara | | D12/410 |
| 4,274,262 A * | 6/1981 | Reed et al. | | 62/3.64 |
| D303,632 S * | 9/1989 | Carlson | | D3/301 |
| D323,935 S * | 2/1992 | Ward | | D3/282 |
| D326,945 S * | 6/1992 | Howitt | | D3/294 |
| 5,255,783 A * | 10/1993 | Goodman et al. | | 206/711 |

| | | | | |
|--------------|---------|----------------|-------|-----------|
| D347,819 S * | 6/1994 | Katz | | D12/410 |
| D368,206 S * | 3/1996 | Wedi | | D7/605 |
| D369,022 S * | 4/1996 | Sun | | D3/271.12 |
| D372,360 S * | 8/1996 | Burns et al. | | D3/273 |
| D386,904 S * | 12/1997 | Bradshaw, Jr. | | D3/273 |
| D387,903 S * | 12/1997 | Jacoby et al. | | D3/273 |
| D397,585 S * | 9/1998 | Rausch et al. | | D7/605 |
| D411,784 S * | 7/1999 | Houry | | D34/19 |
| D421,552 S * | 3/2000 | Frehse | | D7/605 |
| D448,623 S * | 10/2001 | Gatipon et al. | | D7/605 |
| D451,278 S * | 12/2001 | Cooper | | D3/294 |
| D527,522 S * | 9/2006 | Kammerer | | D3/291 |
| D537,630 S * | 3/2007 | Gibson | | D3/272 |

* cited by examiner

Primary Examiner—Philip Hyder

Assistant Examiner—Roselynn Cody

(74) *Attorney, Agent, or Firm*—Pandiscio & Pandiscio

(57) **CLAIM**

We claim the ornamental design for a storage container, as shown and described.

DESCRIPTION

FIG. 1 is a perspective view of a storage container showing our new design;

FIG. 2 is a rear elevational view thereof;

FIG. 3 is a right side elevational view thereof;

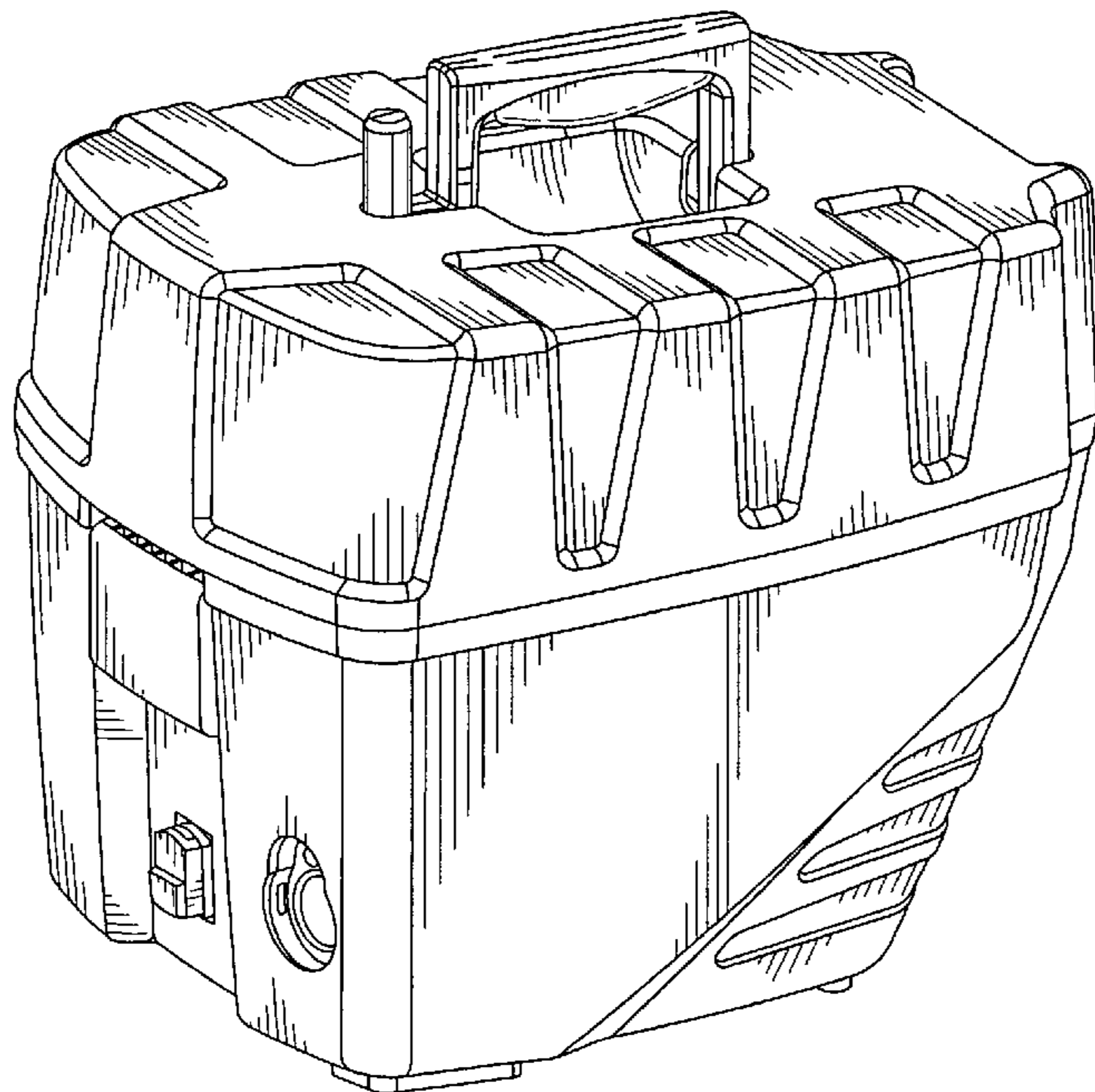
FIG. 4 is a left side elevational view thereof;

FIG. 5 is a front elevational view thereof;

FIG. 6 is a bottom view thereof; and,

FIG. 7 is a top plan view thereof.

1 Claim, 7 Drawing Sheets



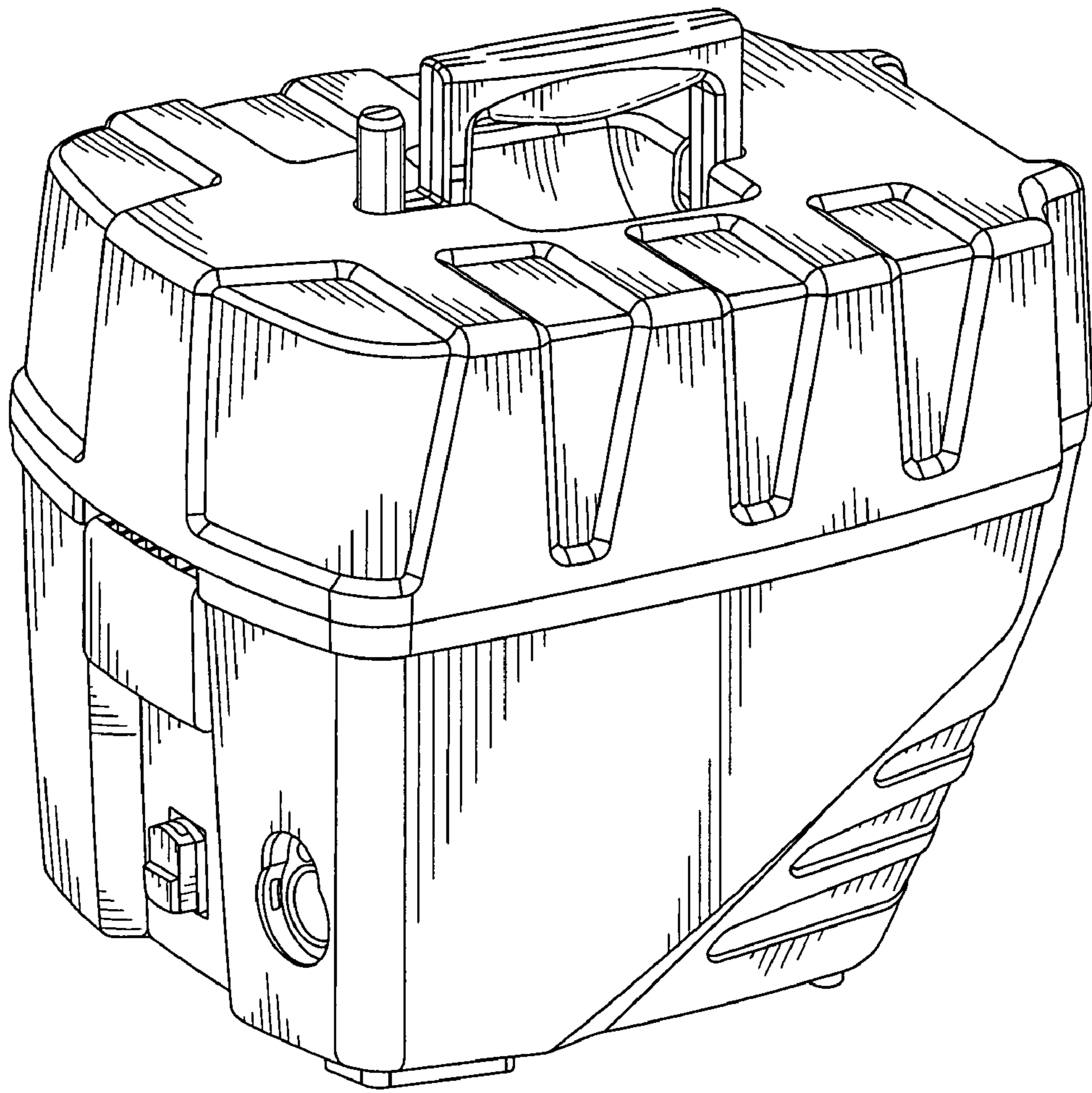


FIG. 1

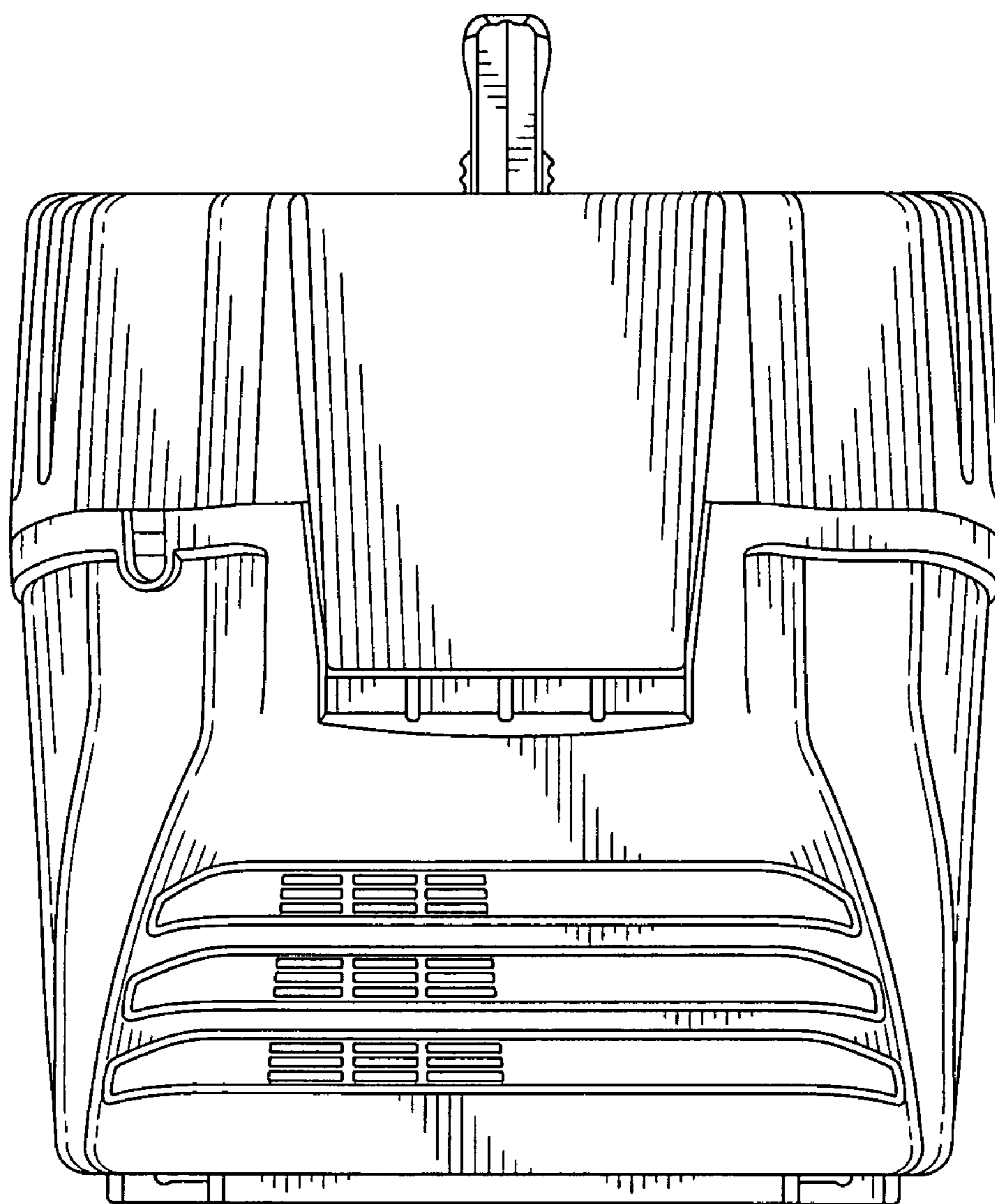


FIG. 2

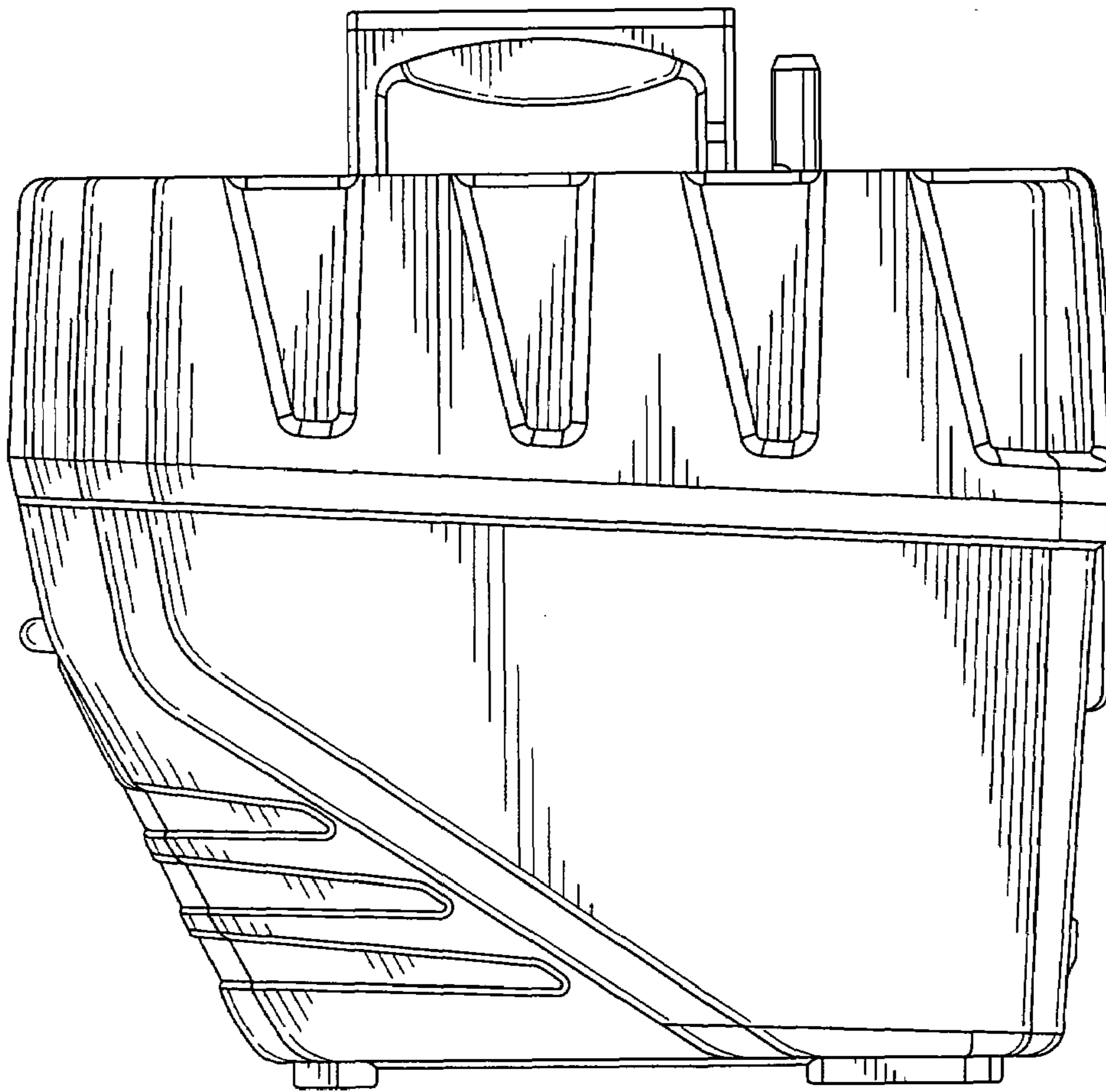


FIG. 3

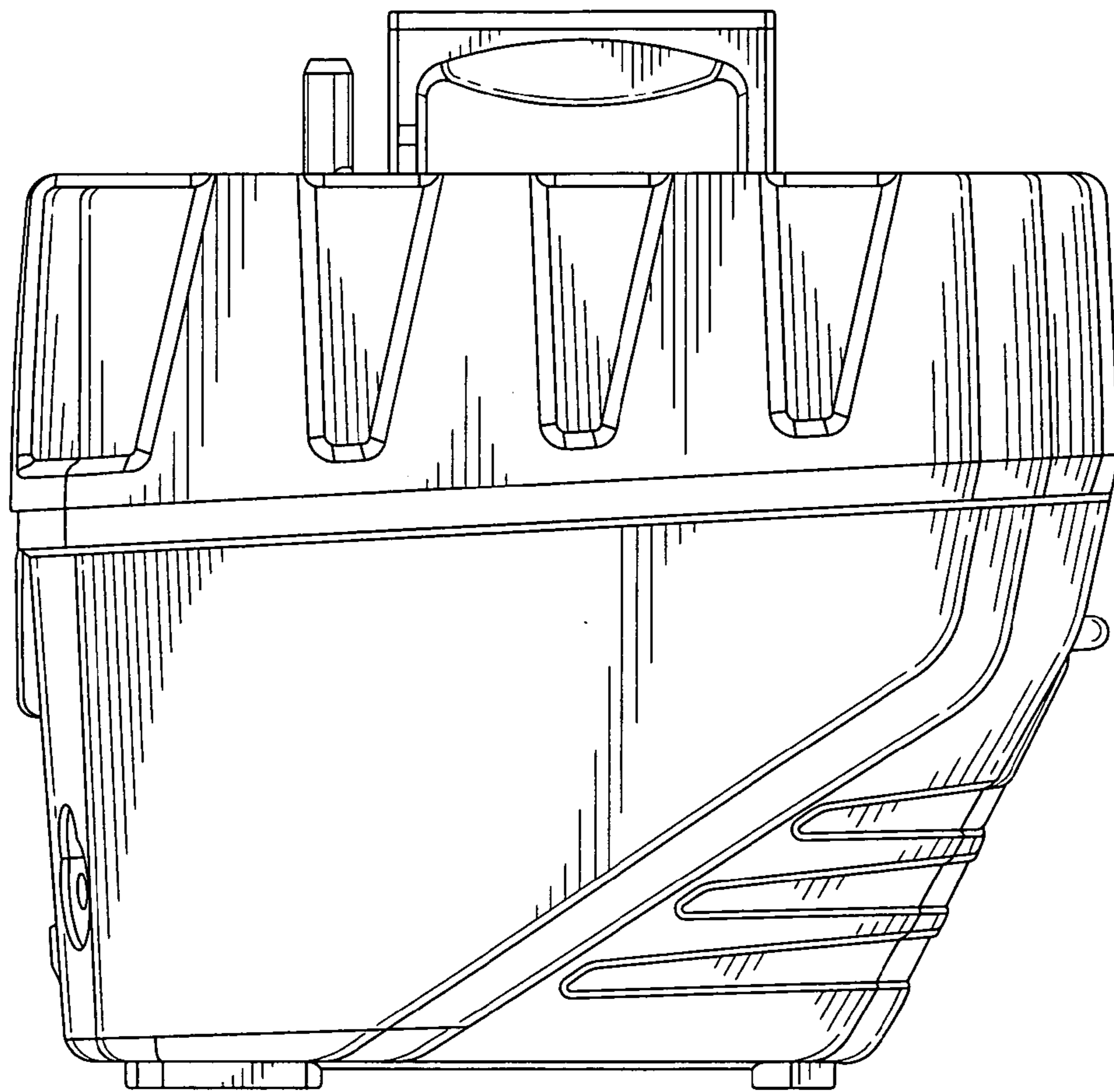


FIG. 4

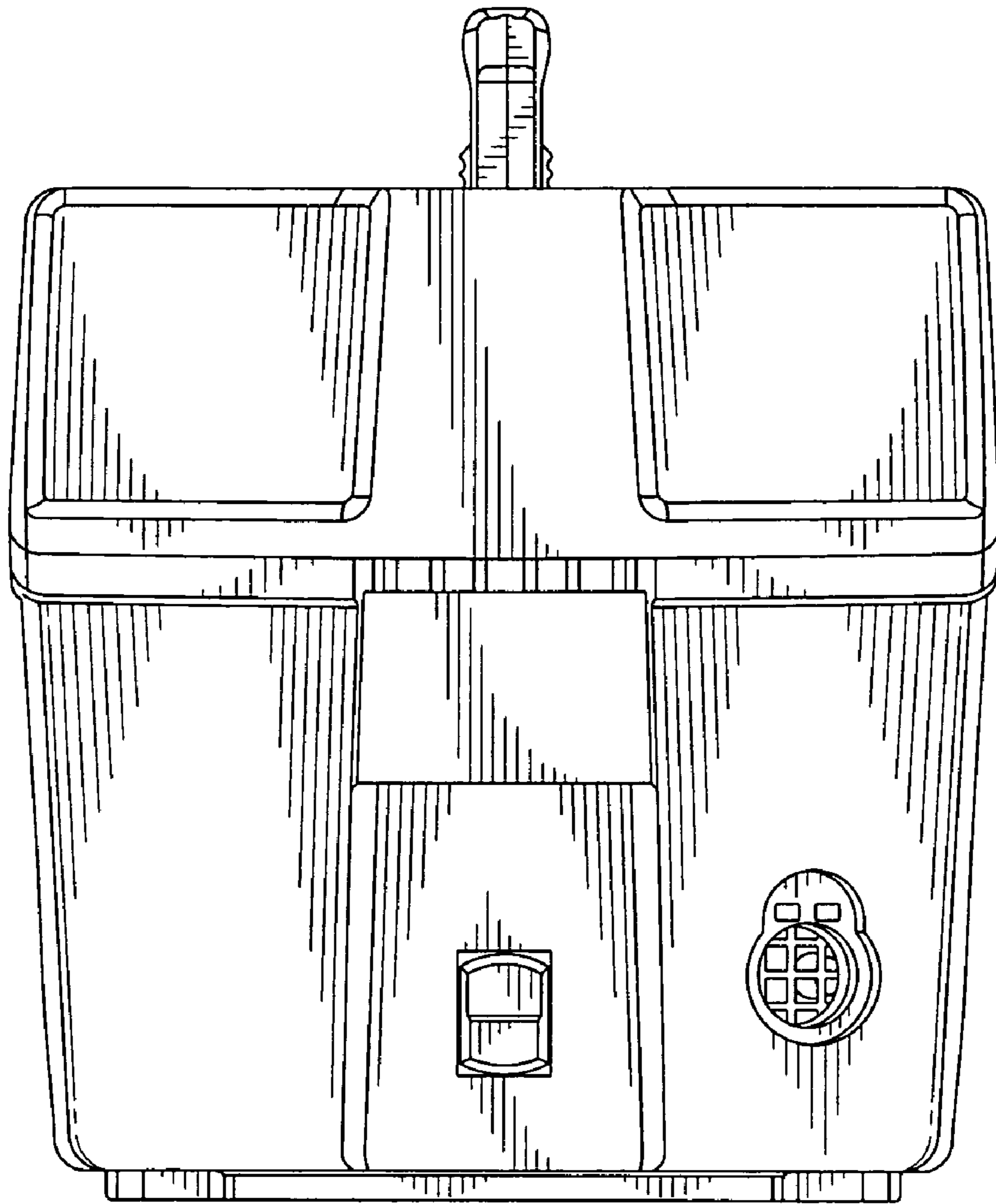


FIG. 5

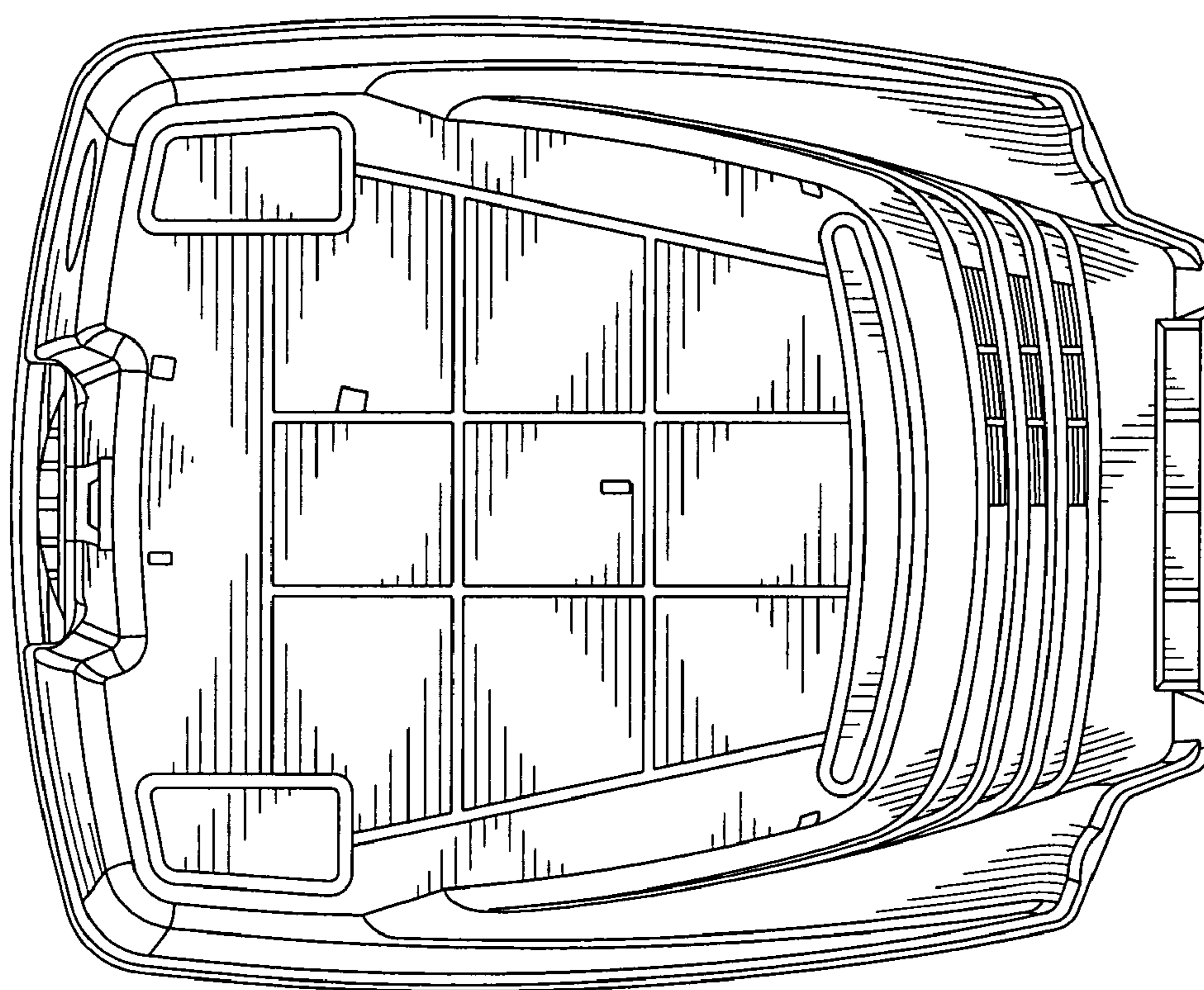


FIG. 6

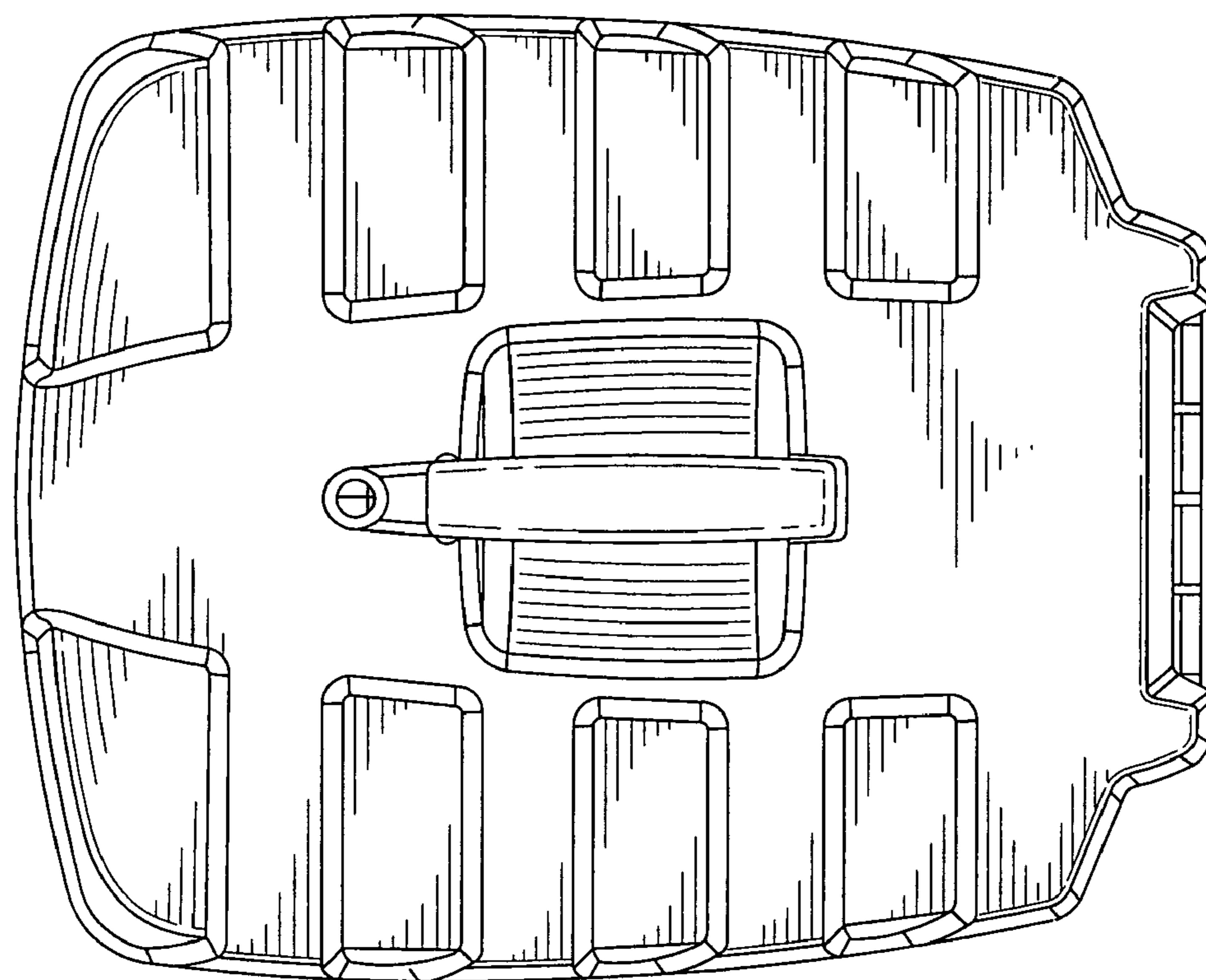


FIG. 7