



US00D574614S

(12) **United States Design Patent**
Sanders

(10) **Patent No.:** **US D574,614 S**

(45) **Date of Patent:** **** Aug. 12, 2008**

(54) **CARD HOLDER**

(76) Inventor: **John M. Sanders**, 2108 Fairway Dr.,
Minneapolis, MN (US) 55421

(**) Term: **14 Years**

(21) Appl. No.: **29/267,897**

(22) Filed: **Oct. 25, 2006**

(51) **LOC (8) Cl.** **03-01**

(52) **U.S. Cl.** **D3/247**

(58) **Field of Classification Search** D3/56-60,
D3/201, 247-252, 263; D7/601, 629; D27/139,
D27/141, 148, 152-161; 431/124, 129, 135,
431/143, 149, 151, 153, 255, 273, 279; D10/68;
24/48, 49 R, 49 CC, 49 D, 49 C; 7/151;
81/3.09, 33.5

See application file for complete search history.

(56) **References Cited**

U.S. PATENT DOCUMENTS

D203,240	S	*	12/1965	McCreary	D3/247
3,802,032	A	*	4/1974	Weed	24/66.13
D284,042	S	*	6/1986	Vitello et al.	D11/204
D298,553	S	*	11/1988	Zobitz	D20/43
D298,554	S	*	11/1988	Zobitz	D20/43
D301,017	S	*	5/1989	Norman et al.	D10/68
4,903,376	A	*	2/1990	Rousseau	24/67.9
4,903,745	A	*	2/1990	Roman	150/134
D324,305	S	*	3/1992	Prey	D3/247
D330,688	S	*	11/1992	Haines	D11/202
D336,448	S	*	6/1993	Haines	D11/215
5,358,019	A	*	10/1994	Sumner, III	150/147
5,414,908	A	*	5/1995	Haines	24/66.4
D372,358	S	*	8/1996	Mathison	D3/247
5,970,777	A	*	10/1999	Hunt et al.	72/379.2
D435,965	S	*	1/2001	Kim	D3/248

D484,352	S	*	12/2003	Palmer	D6/632
6,851,147	B2	*	2/2005	Abrahall	7/151
D510,186	S	*	10/2005	Bell	D3/247
D515,527	S	*	2/2006	Swallow	D14/137

* cited by examiner

Primary Examiner—Louis S Zarfaz

Assistant Examiner—Michelle E Wilson

(74) *Attorney, Agent, or Firm*—Richard John Bartz

(57) **CLAIM**

The ornamental design of the card holder, as shown and described.

DESCRIPTION

FIG. 1 is a perspective view of a card holder of my new design;

FIG. 2 is a top plan view thereof;

FIG. 3 is a side elevational view thereof, the opposite side being a mirror image thereof;

FIG. 4 is a end elevational view of the left end thereof;

FIG. 5 is a end elevational view of the right end thereof;

FIG. 6 is a bottom plan view thereof;

FIG. 7 is a perspective view of a first modification of the card holder of FIG. 1;

FIG. 8 is a top plan view of FIG. 7;

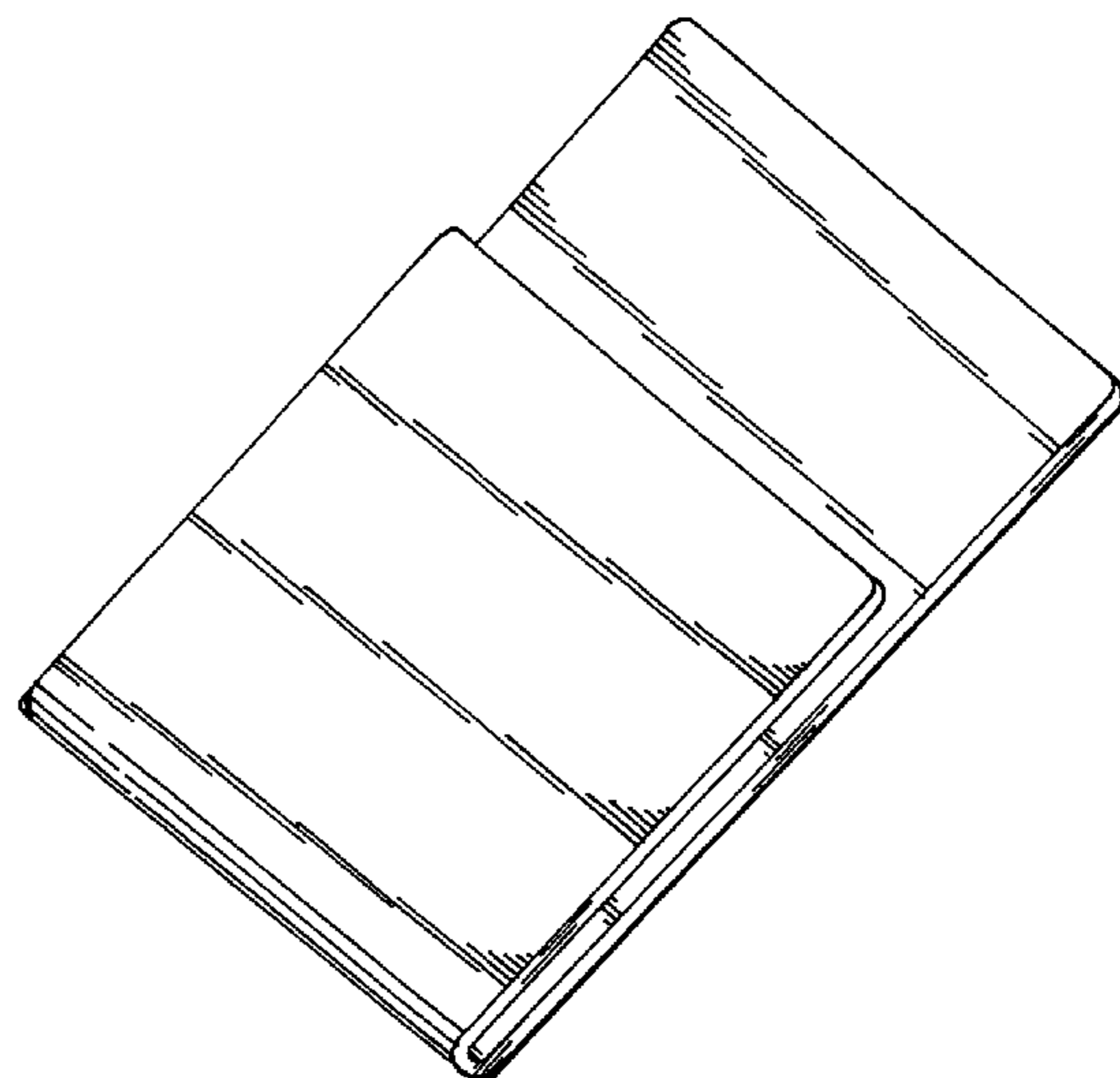
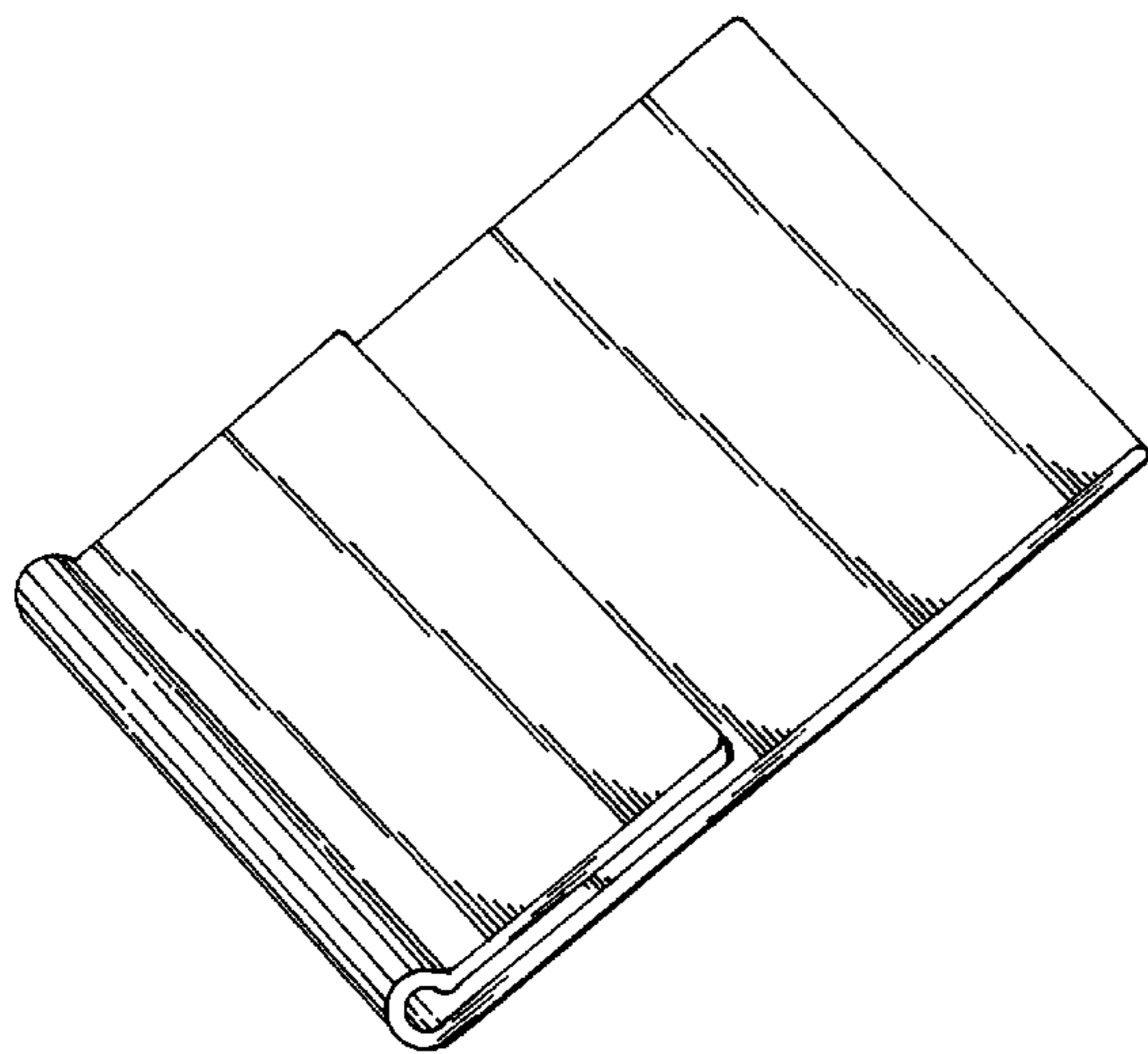
FIG. 9 is a side elevational view of FIG. 7, the opposite side being a mirror image thereof;

FIG. 10 is an end elevational view of the left end of FIG. 7;

FIG. 11 is an end elevational view of the right end of FIG. 7; and,

FIG. 12 is a bottom plan view of FIG. 7.

1 Claim, 4 Drawing Sheets



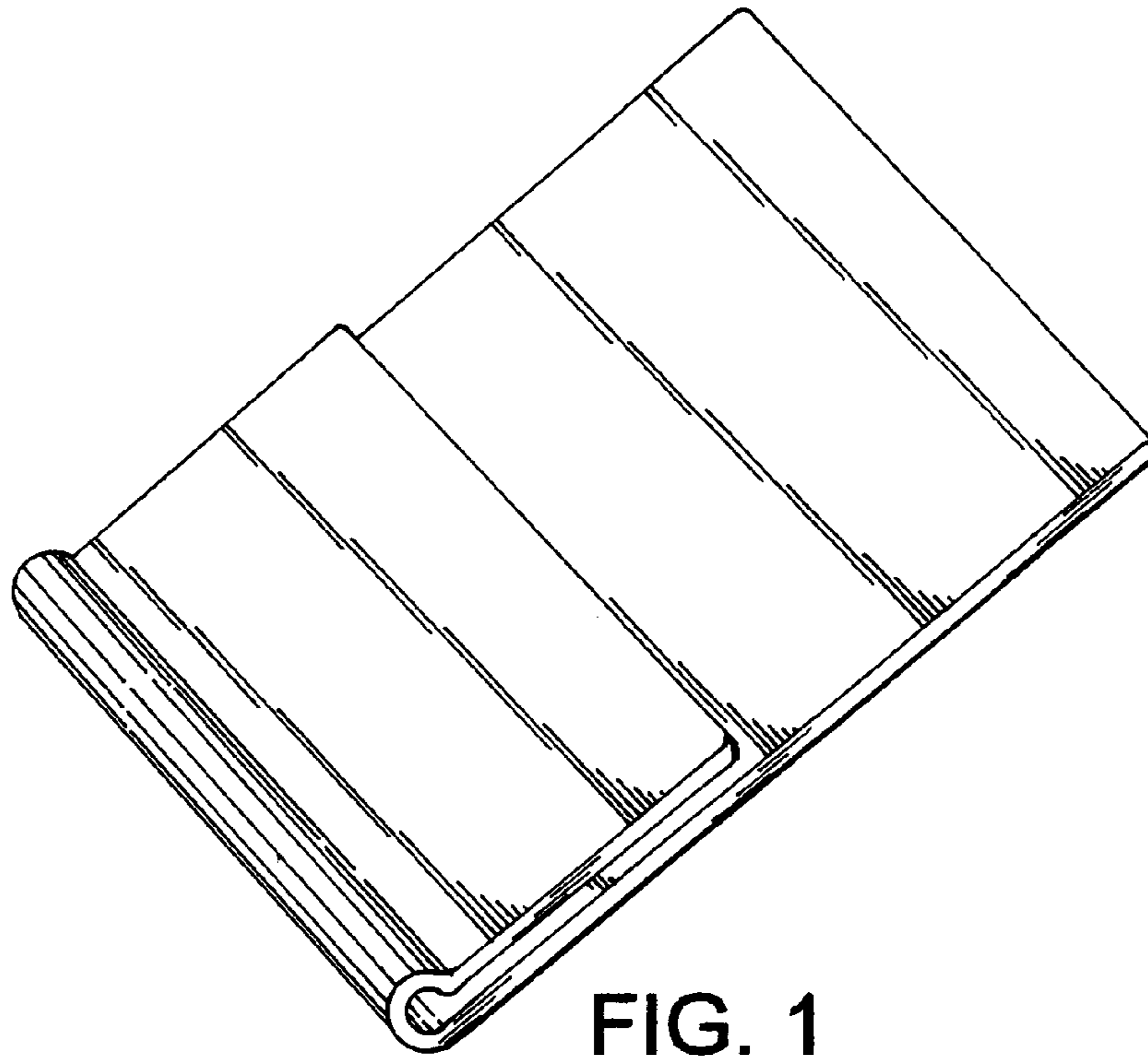


FIG. 1

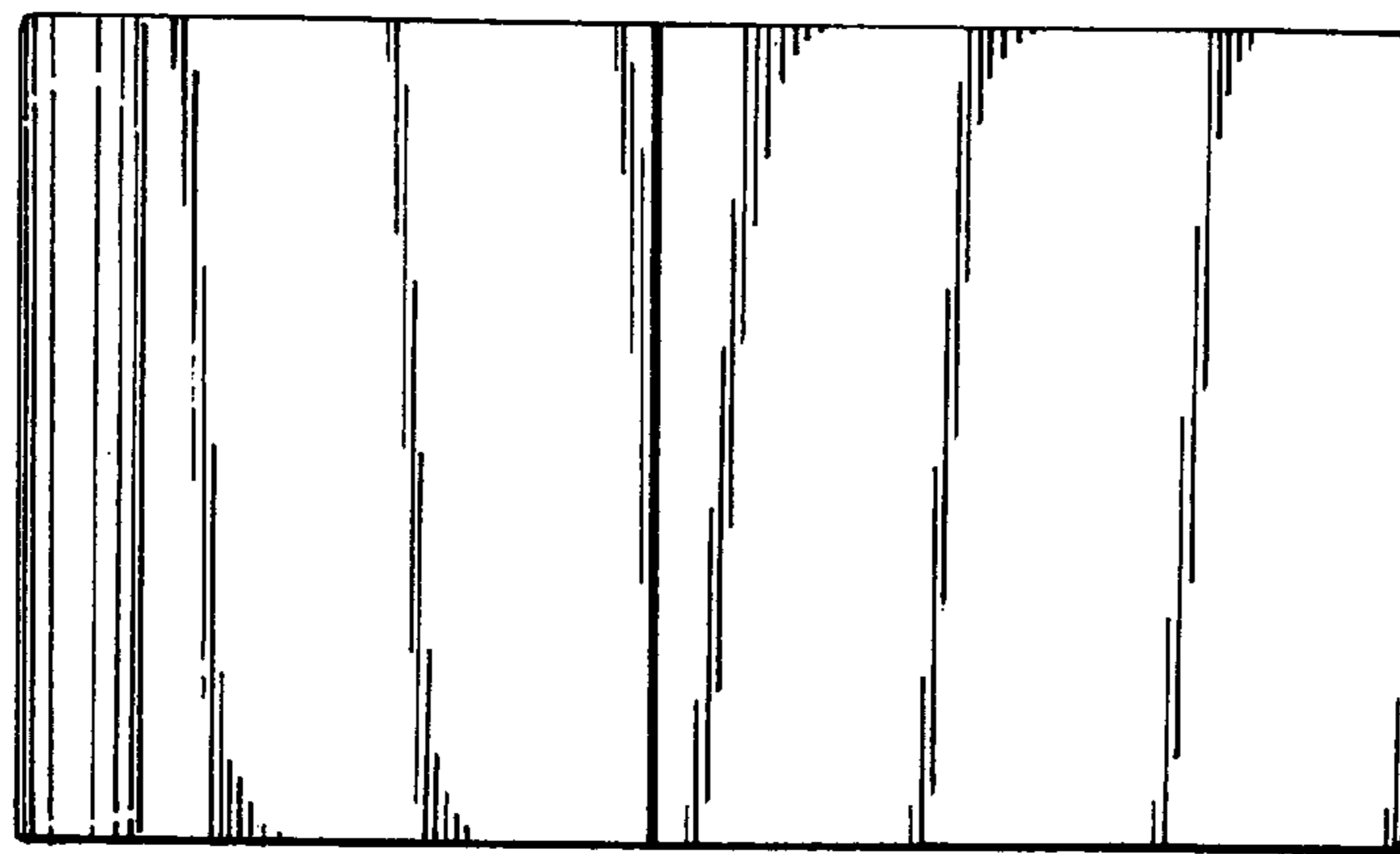


FIG. 2



FIG. 3

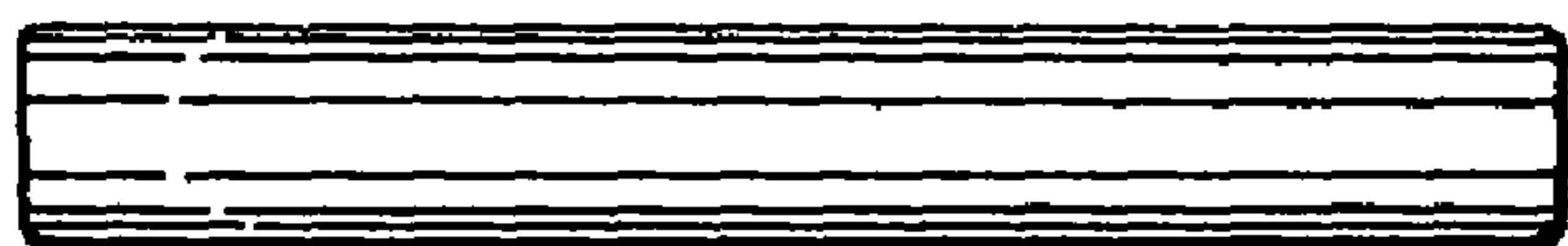


FIG. 4

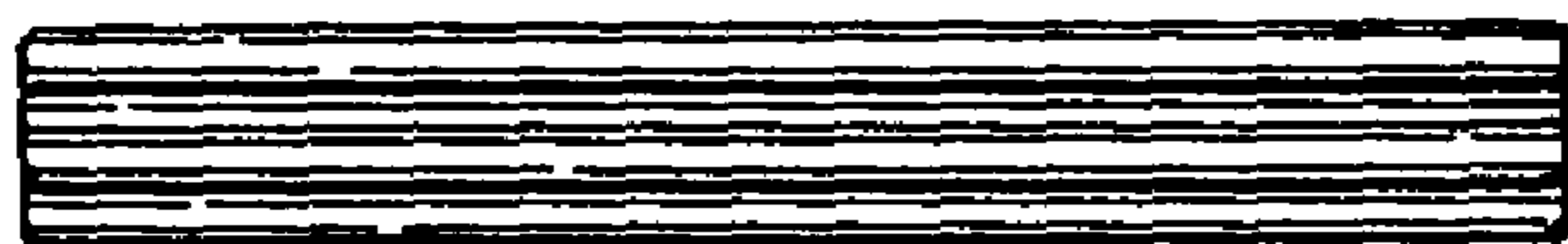


FIG. 5

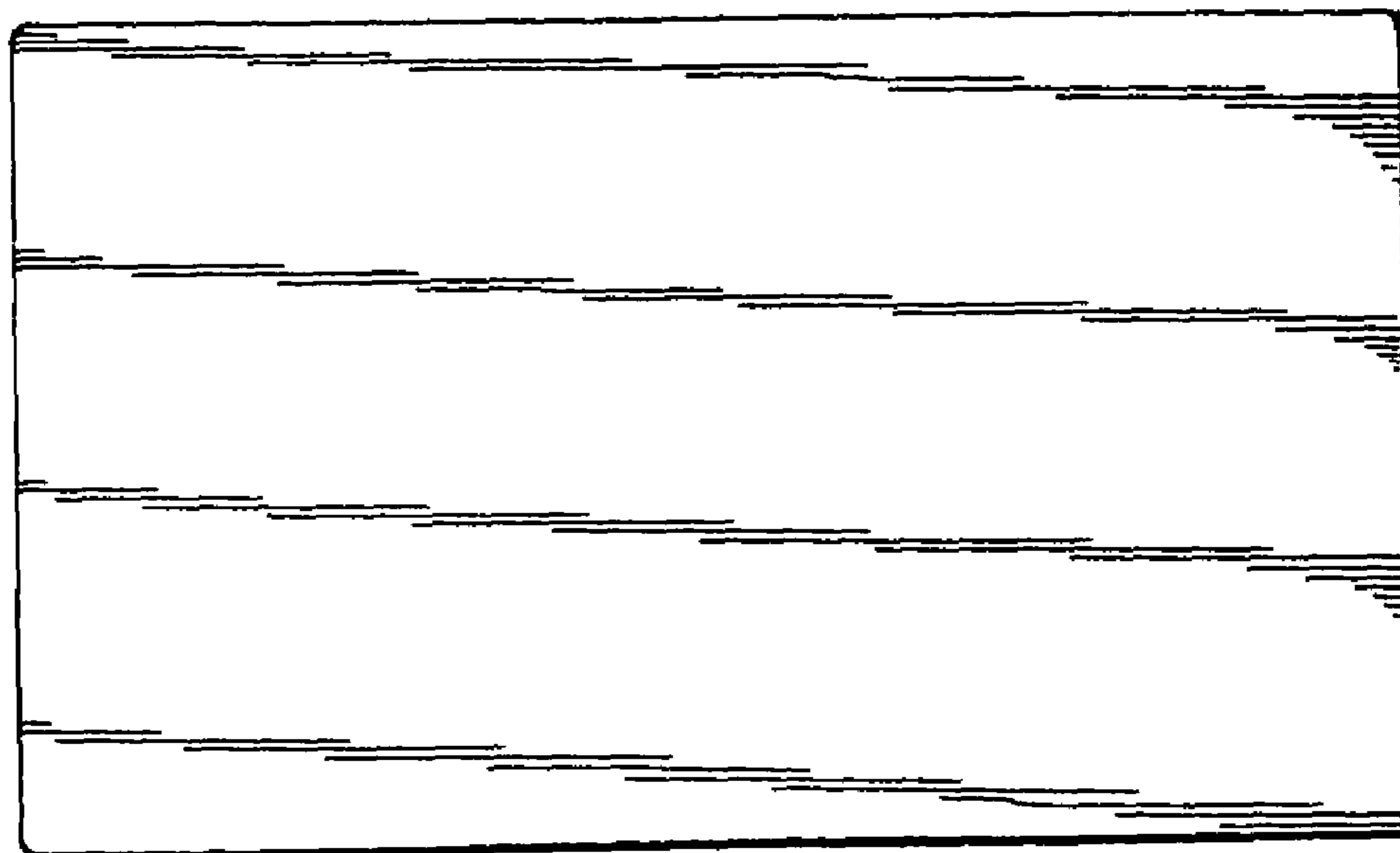


FIG. 6

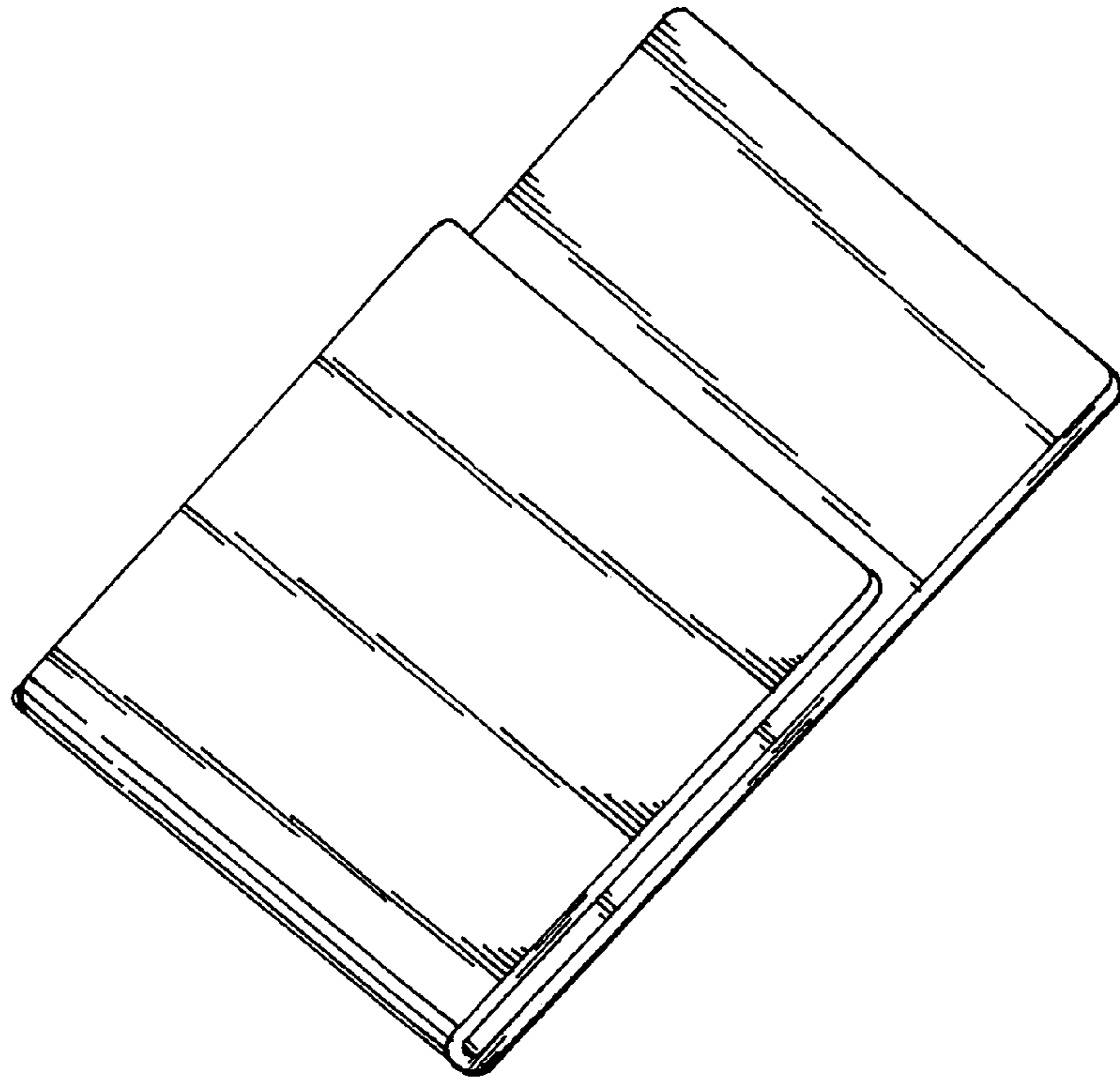


FIG. 7

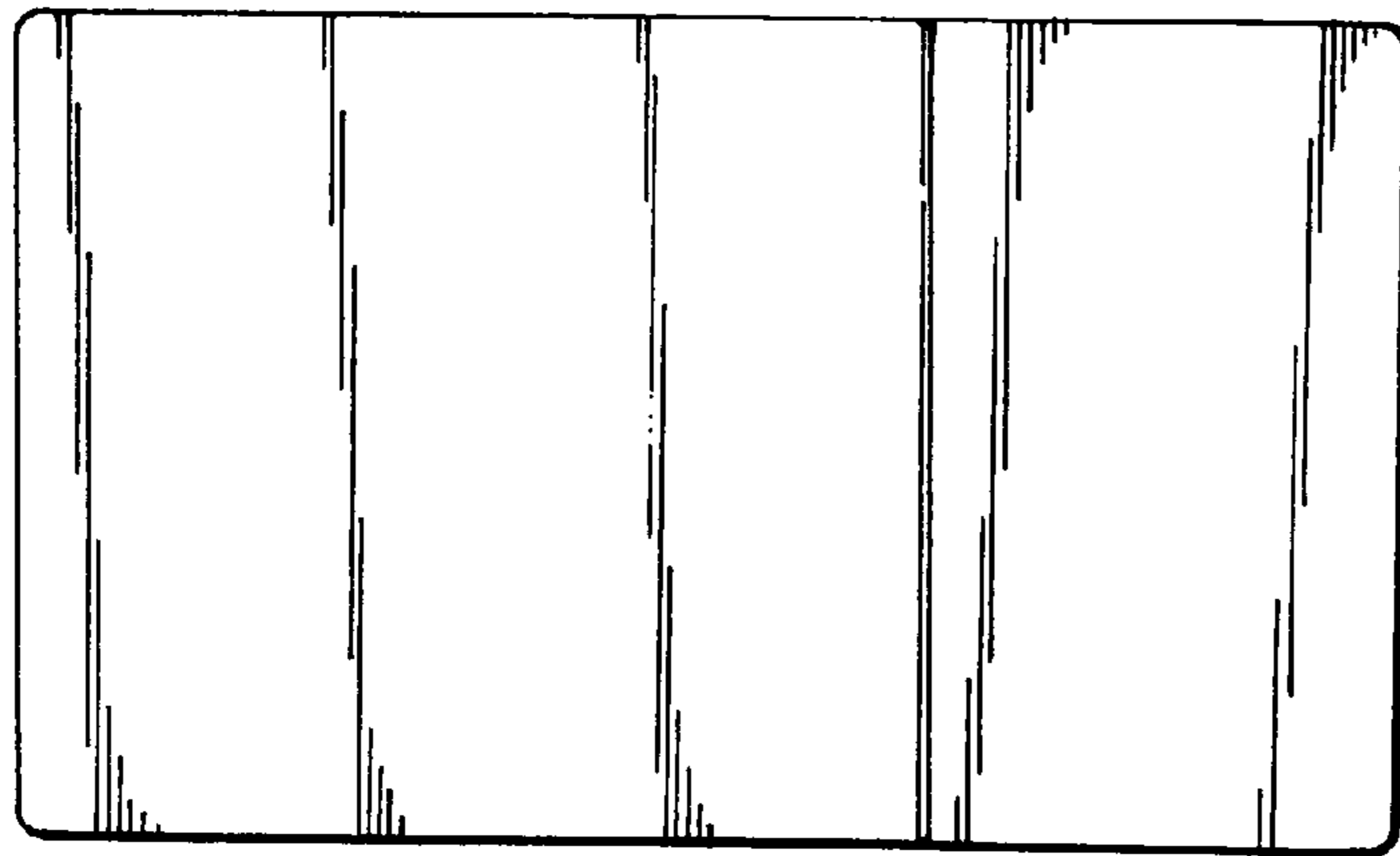


FIG. 8

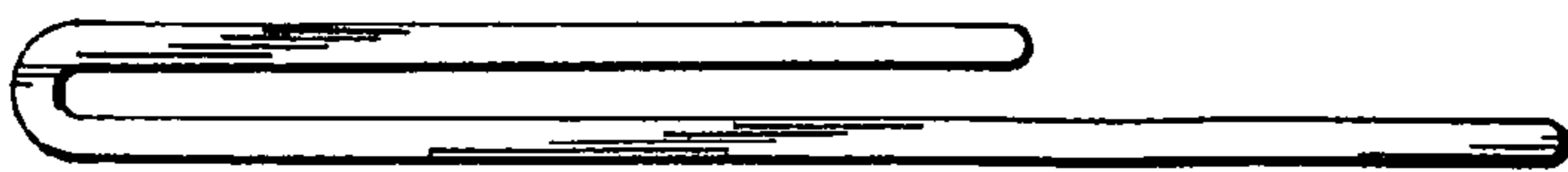


FIG. 9

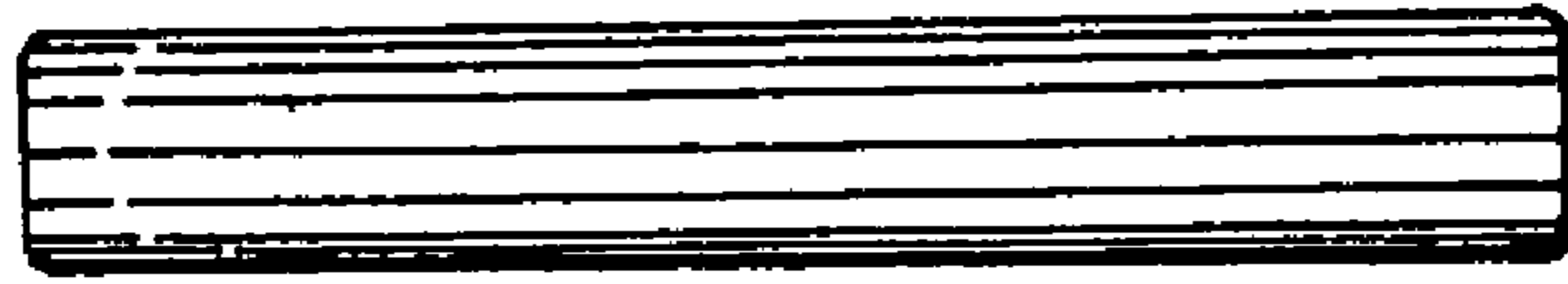


FIG. 10

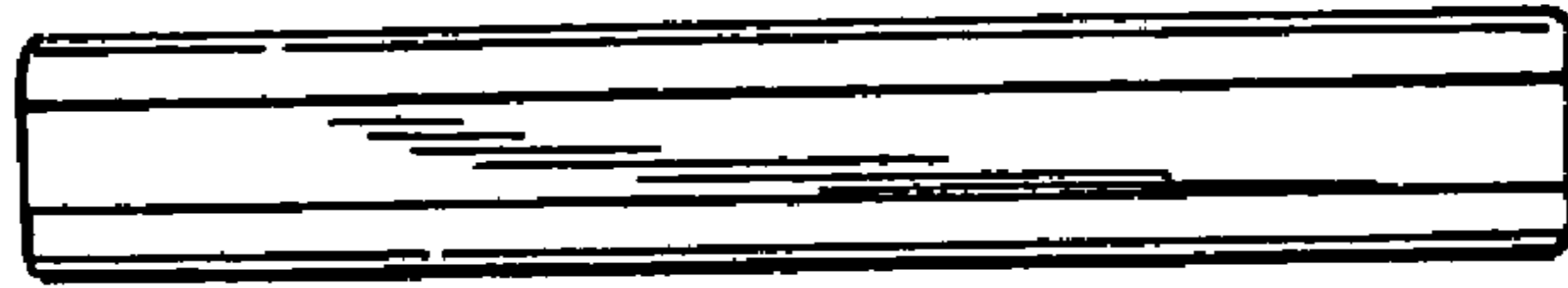


FIG. 11



FIG. 12