



US00D574612S

(12) **United States Design Patent**
Gonzalez

(10) **Patent No.:** **US D574,612 S**

(45) **Date of Patent:** **** Aug. 12, 2008**

(54) **HANDBAG**

(75) Inventor: **Alvaro Gonzalez**, Florence (IT)

(73) Assignee: **J. Choo Limited**, London (GB)

(**) Term: **14 Years**

(21) Appl. No.: **29/269,617**

(22) Filed: **Dec. 4, 2006**

(51) **LOC (8) Cl.** **03-01**

(52) **U.S. Cl.** **D3/232**

(58) **Field of Classification Search** D3/201,
D3/205, 230, 231, 233, 247, 251, 232, 234,
D3/238, 240-246, 303, 318-326, 900, 902;
150/100, 107-110, 118-120; 190/100, 108-112,
190/115, 900, 902, 903

See application file for complete search history.

(56) **References Cited**

U.S. PATENT DOCUMENTS

D127,934 S *	6/1941	Lewis	D3/245
4,993,526 A	2/1991	Morrison		
D369,675 S	5/1996	Gregg		
D406,177 S	2/1999	Milroy		
D429,562 S	8/2000	Lau		
D516,805 S *	3/2006	Suppangig	D3/246
D525,784 S *	8/2006	Handley	D3/243

OTHER PUBLICATIONS

U.S. Appl. No. 29/263,357, filed Jul. 19, 2006.

U.S. Appl. No. 29/263,194, filed Jul. 17, 2006.

U.S. Appl. No. 29/271,662, filed Jan. 23, 2007.

U.S. Appl. No. 29/269,616, filed Dec. 4, 2006.

* cited by examiner

Primary Examiner—Lou Zarfaz

Assistant Examiner—Michelle E. Wilson

(74) *Attorney, Agent, or Firm*—Fross Zelnick Lehrman & Zissu, P.C.; Lawrence E. Apolzon, Esq.

(57) **CLAIM**

The ornamental design for handbag, as shown and described.

DESCRIPTION

FIG. 1 is a front perspective view of a handbag, showing my new design;

FIG. 2 is a front view of the handbag shown in FIG. 1;

FIG. 3 is a rear view of the handbag shown in FIG. 1;

FIG. 4 is a right side view of the handbag shown in FIG. 1;

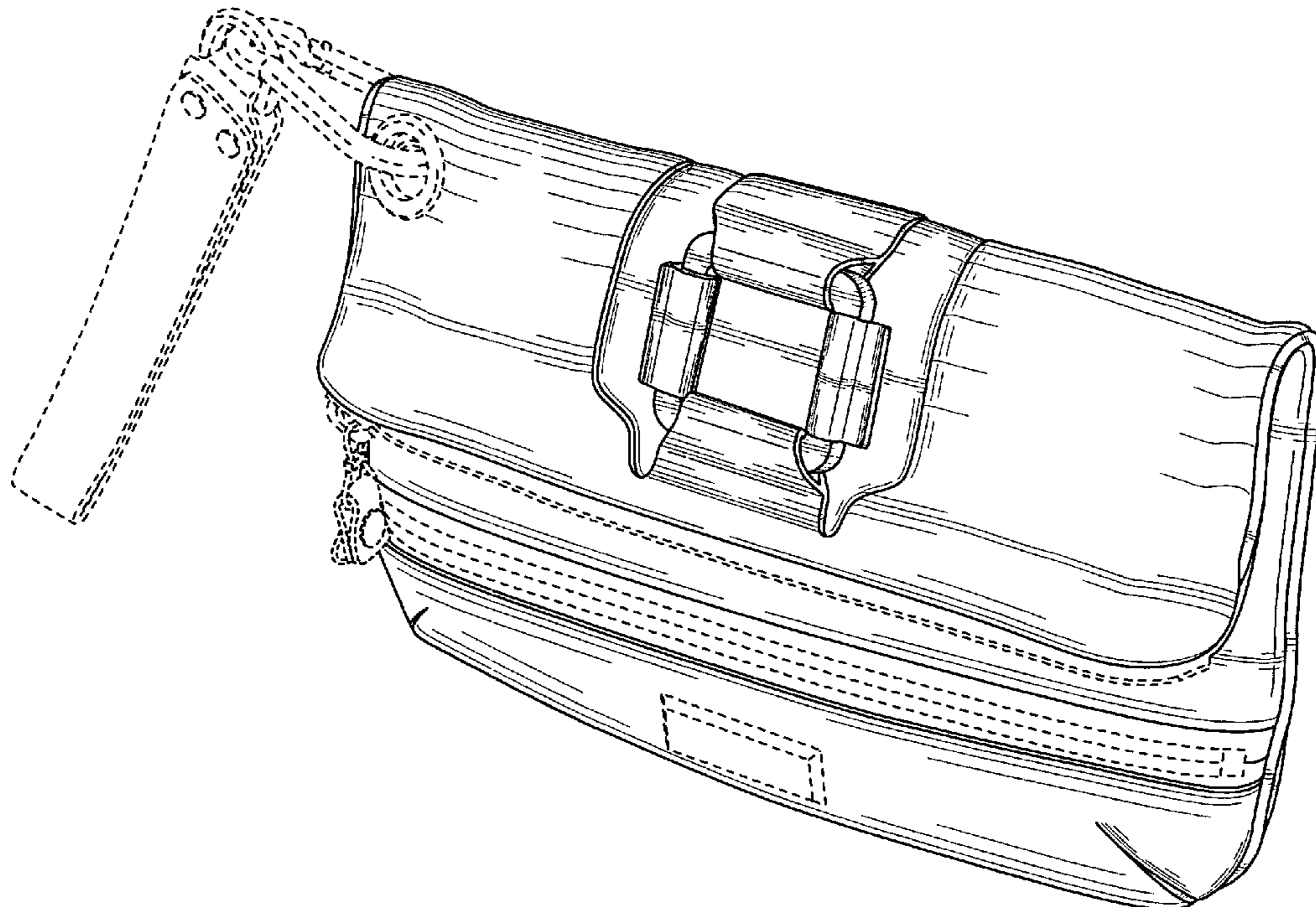
FIG. 5 is a left side view of the handbag shown in FIG. 1;

FIG. 6 is a top view of the handbag shown in FIG. 1; and,

FIG. 7 is a bottom view of the handbag show in FIG. 1.

The broken line showing of the zippers, front label piece, carabiner (non-locking), grommets, strap is for illustrative purposes only and forms no part of the claimed design.

1 Claim, 5 Drawing Sheets



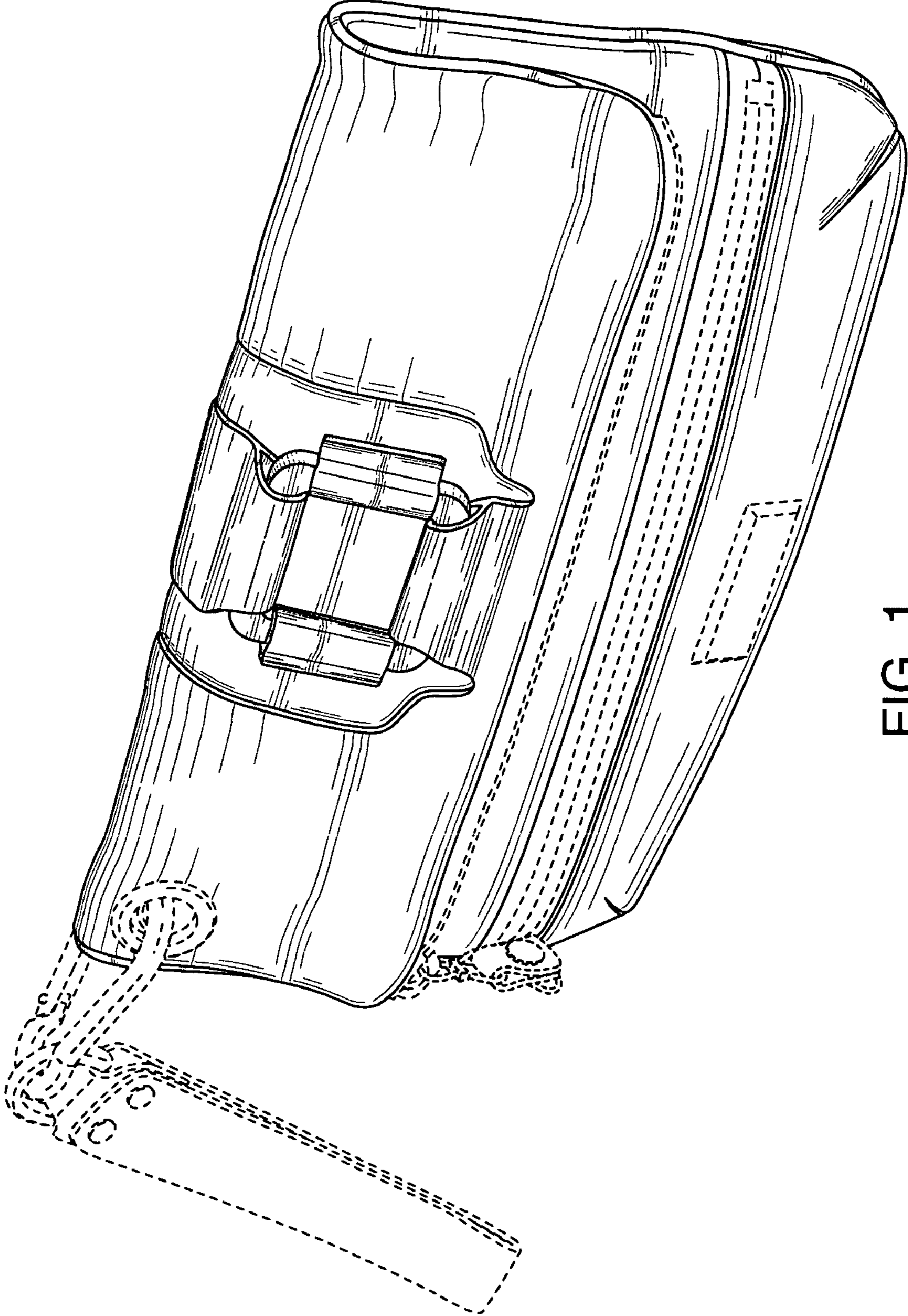


FIG. 1

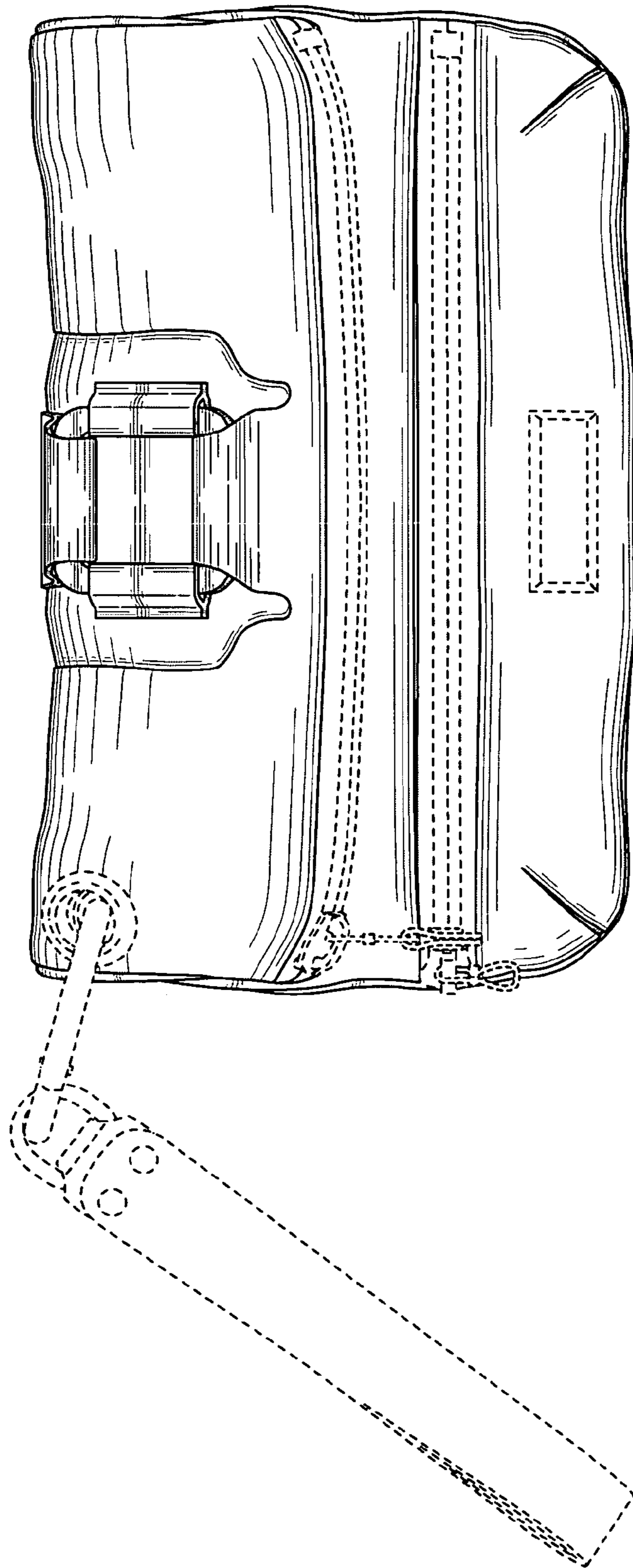


FIG. 2

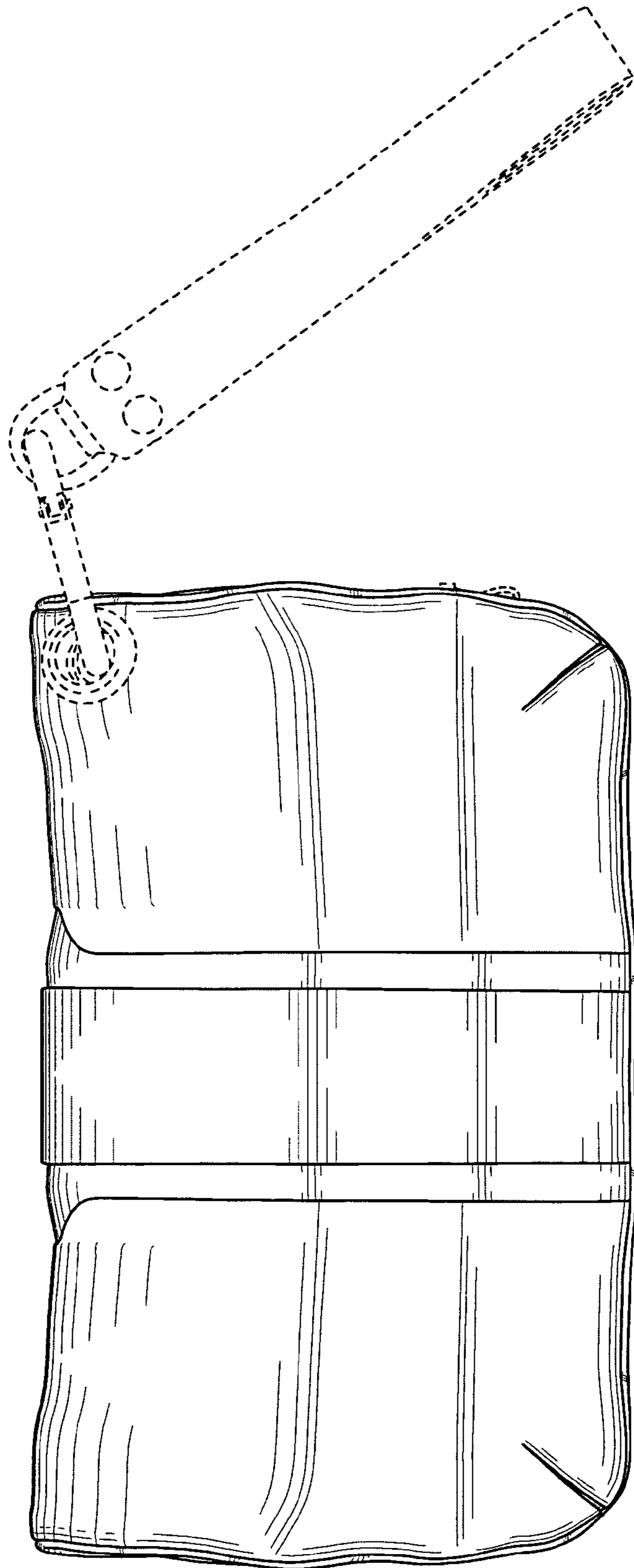


FIG. 3

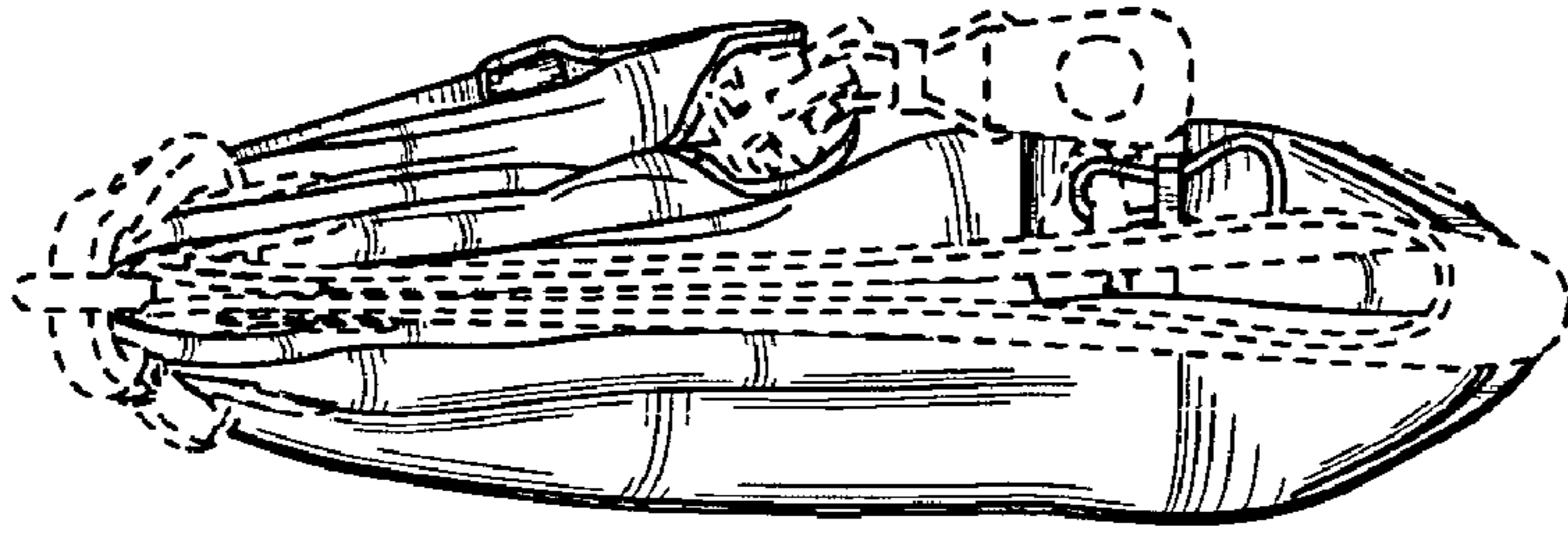


FIG. 5

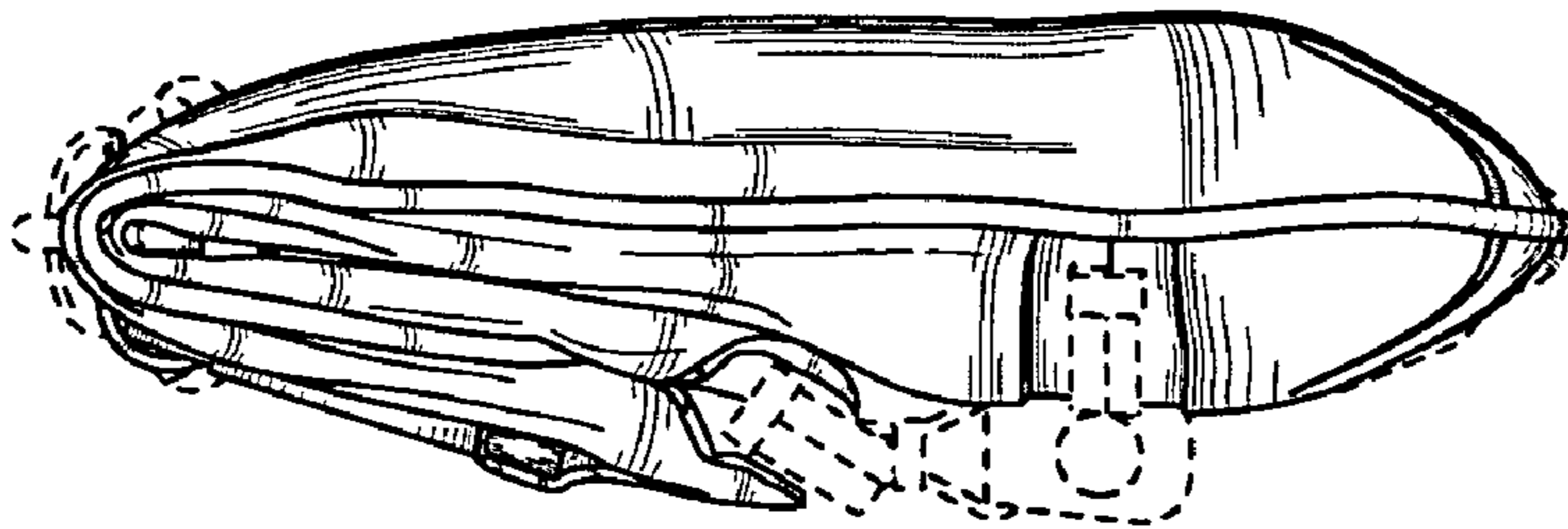


FIG. 4

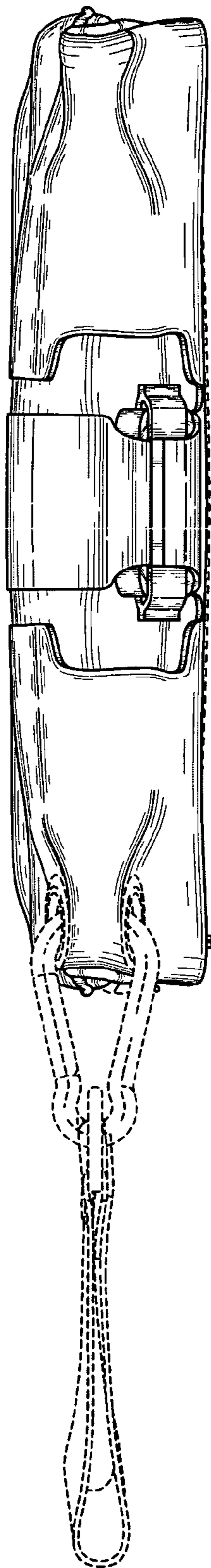


FIG. 6

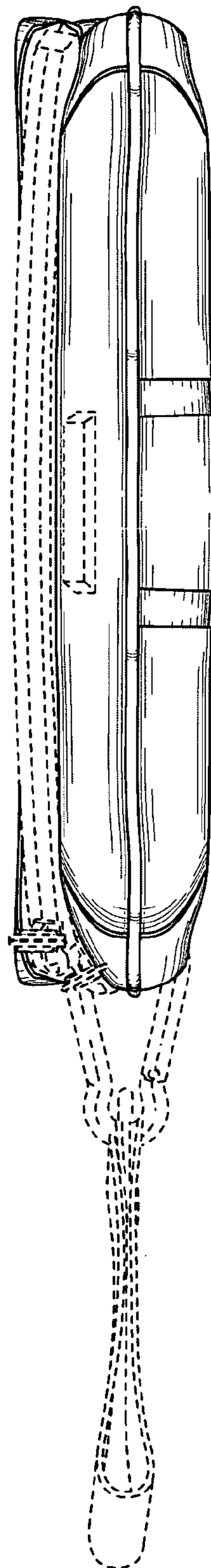


FIG. 7