



US00D574610S

(12) **United States Design Patent**
Garrett

(10) **Patent No.:** **US D574,610 S**

(45) **Date of Patent:** **** Aug. 12, 2008**

(54) **GUN CLEANING AND TOOL CASE**

(75) Inventor: **Doreen Garrett**, Turin, NY (US)

(73) Assignee: **The Otis Patent Trust**, Lyons Falls, NY (US)

(**) Term: **14 Years**

(21) Appl. No.: **29/292,529**

(22) Filed: **Oct. 15, 2007**

(51) **LOC (8) Cl.** **03-01**

(52) **U.S. Cl.** **D3/228; D3/221**

(58) **Field of Classification Search** D3/228,
D3/221, 224, 226, 222-223, 230, 262, 215,
D3/225; D22/108, 199; 224/223, 239, 245,
224/251, 249, 679, 680, 678, 677; 42/87

See application file for complete search history.

(56) **References Cited**

U.S. PATENT DOCUMENTS

4,047,650	A *	9/1977	Domingos	224/223
D286,315	S *	10/1986	Gregory	D3/230
4,716,673	A	1/1988	Williams et al.		
D376,474	S	12/1996	Marks		
D413,644	S *	9/1999	Carver	D22/108
D480,207	S	10/2003	Marks		
6,640,480	B2	11/2003	Williams et al.		
7,165,673	B2	1/2007	Marks		
D556,449	S *	12/2007	Rogers	D3/262

* cited by examiner

Primary Examiner—Catherine R Oliver

(74) *Attorney, Agent, or Firm*—Marjama Muldoon Blasiak & Sullivan, LLP

(57) **CLAIM**

The ornamental design for a gun cleaning and tool case, as shown and described.

DESCRIPTION

FIG. 1 is a perspective view of the gun cleaning and tool case of the present design;

FIG. 2 is a front view of the gun cleaning and tool case of FIG. 1;

FIG. 3 is a right side view of the gun cleaning and tool case of FIG. 1;

FIG. 4 is a left view of the gun cleaning and tool case of FIG. 1;

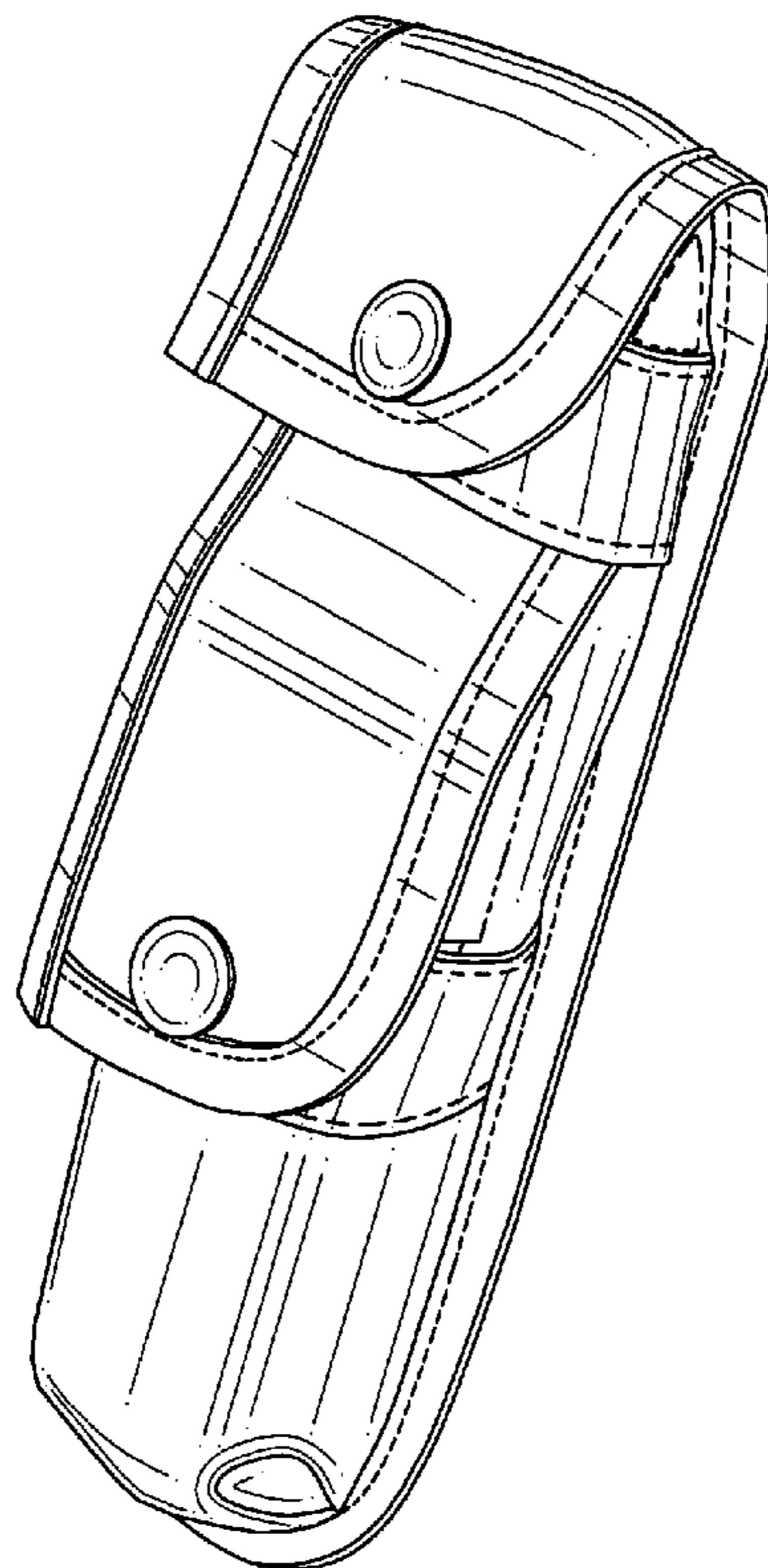
FIG. 5 is a bottom plan view of the gun cleaning and tool case of FIG. 1;

FIG. 6 is a top plan view of the gun cleaning and tool case of FIG. 1; and,

FIG. 7 is a rear view of the gun cleaning and tool case of FIG. 1.

The broken lines showing various tools situated within the gun cleaning and tool case are for illustrative purposes only and form no part of the claimed design.

1 Claim, 3 Drawing Sheets



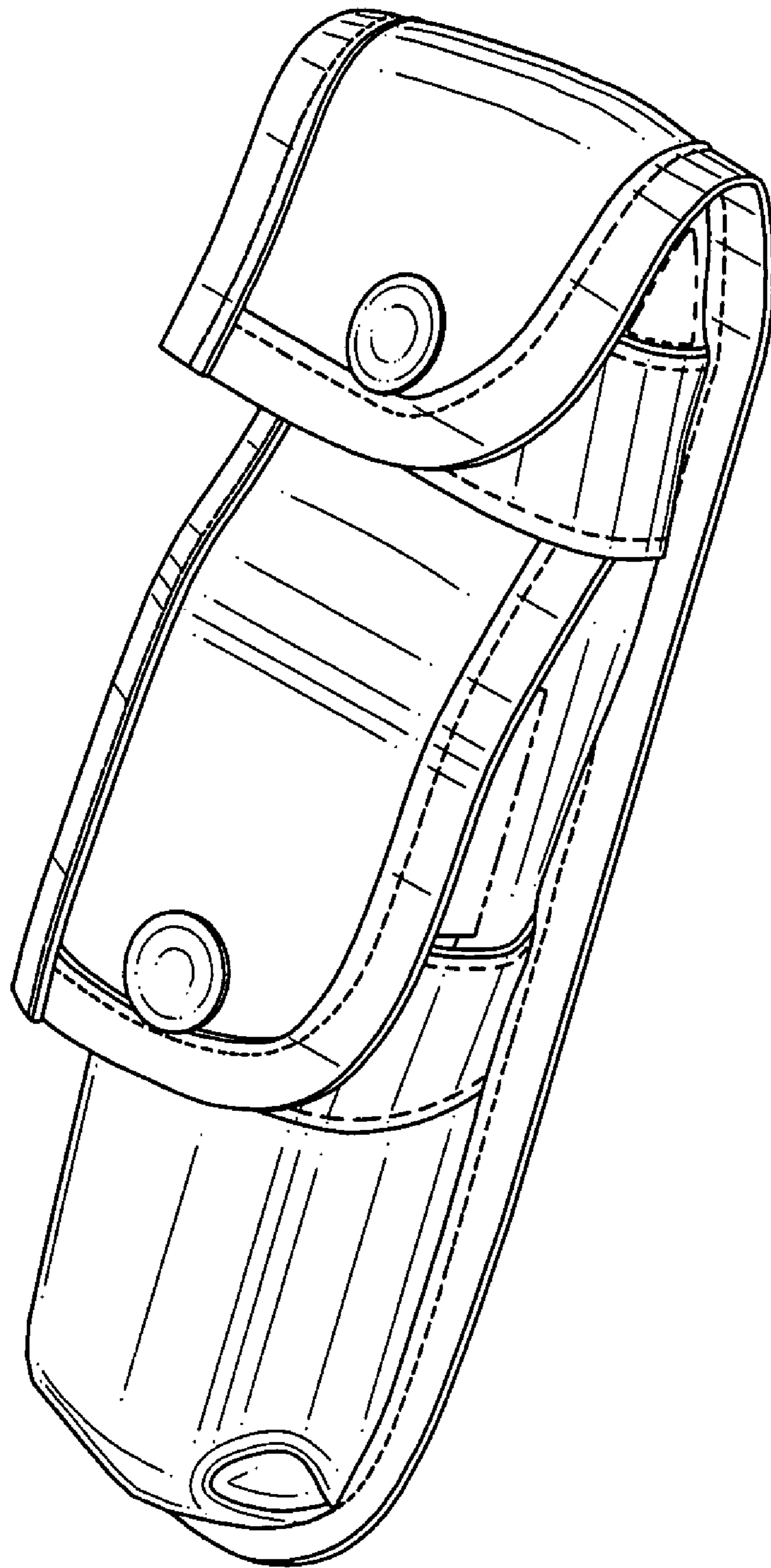


FIG. 1

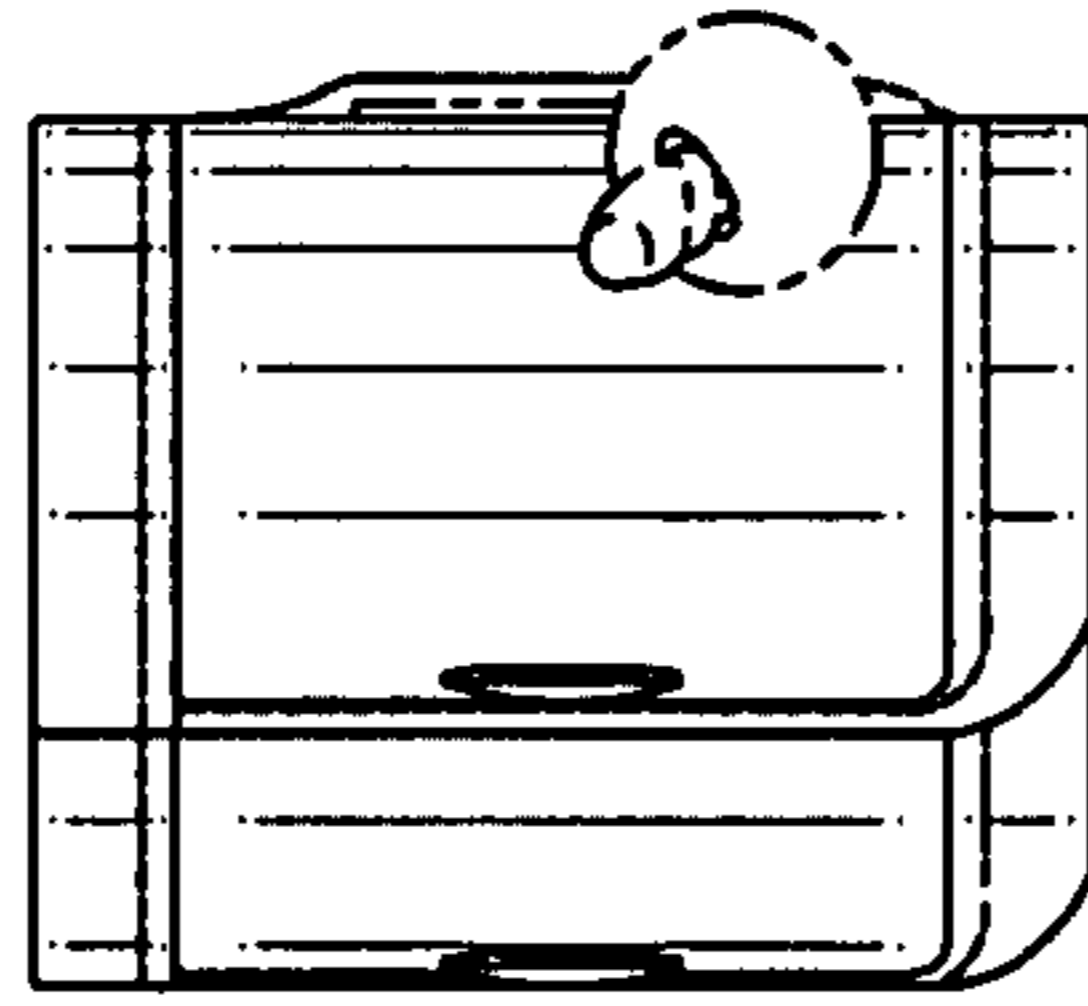


FIG. 6

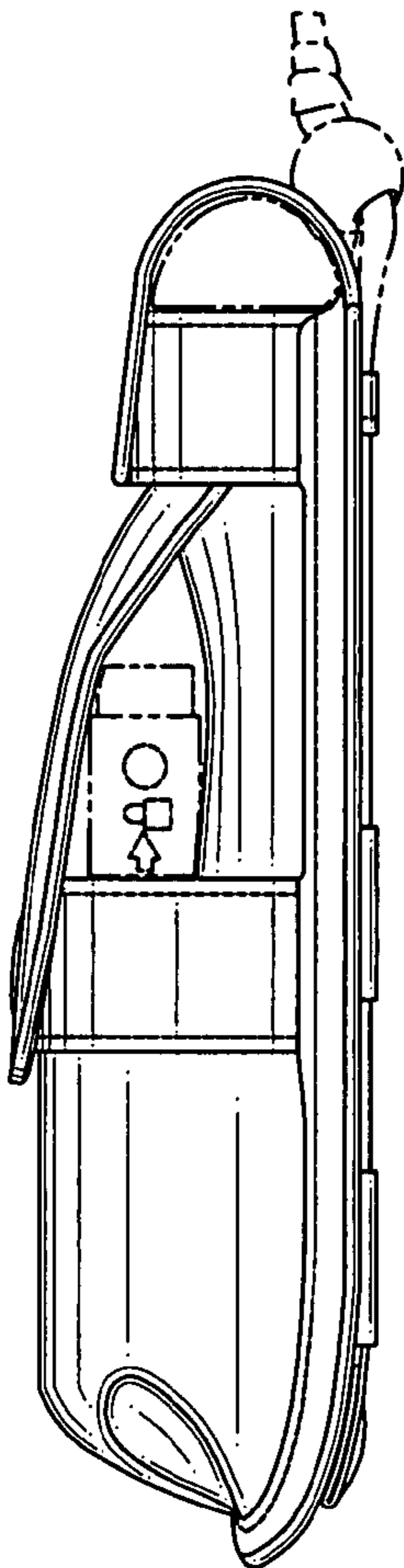


FIG. 3

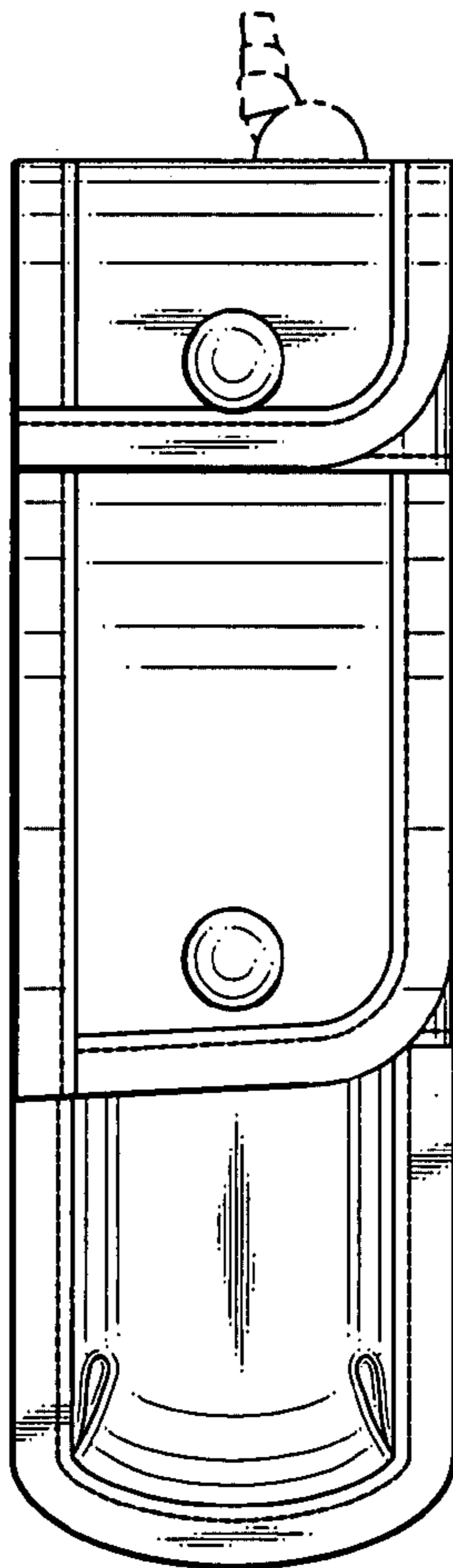


FIG. 2

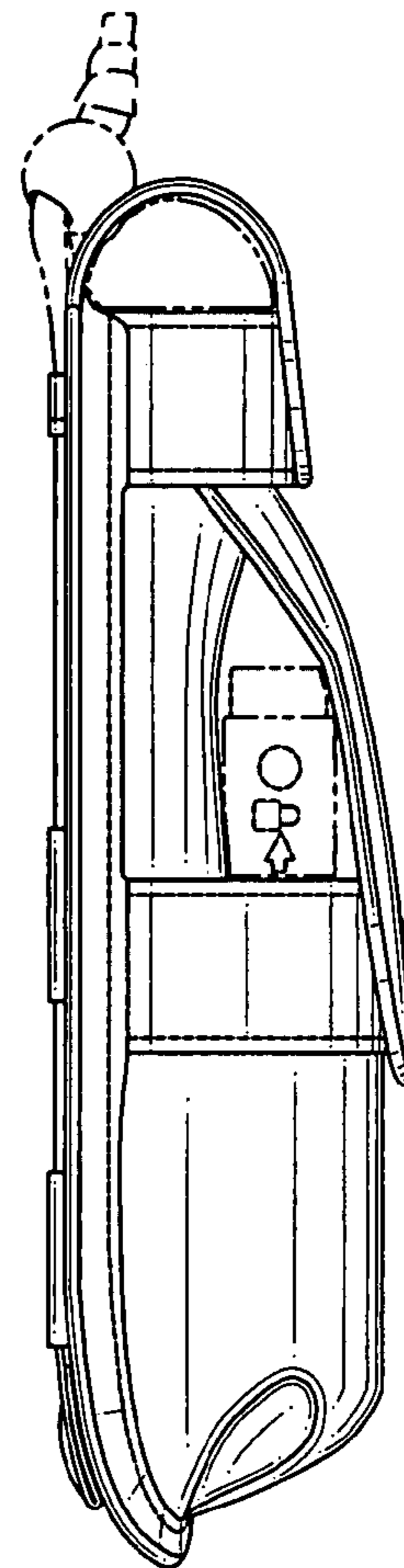


FIG. 4

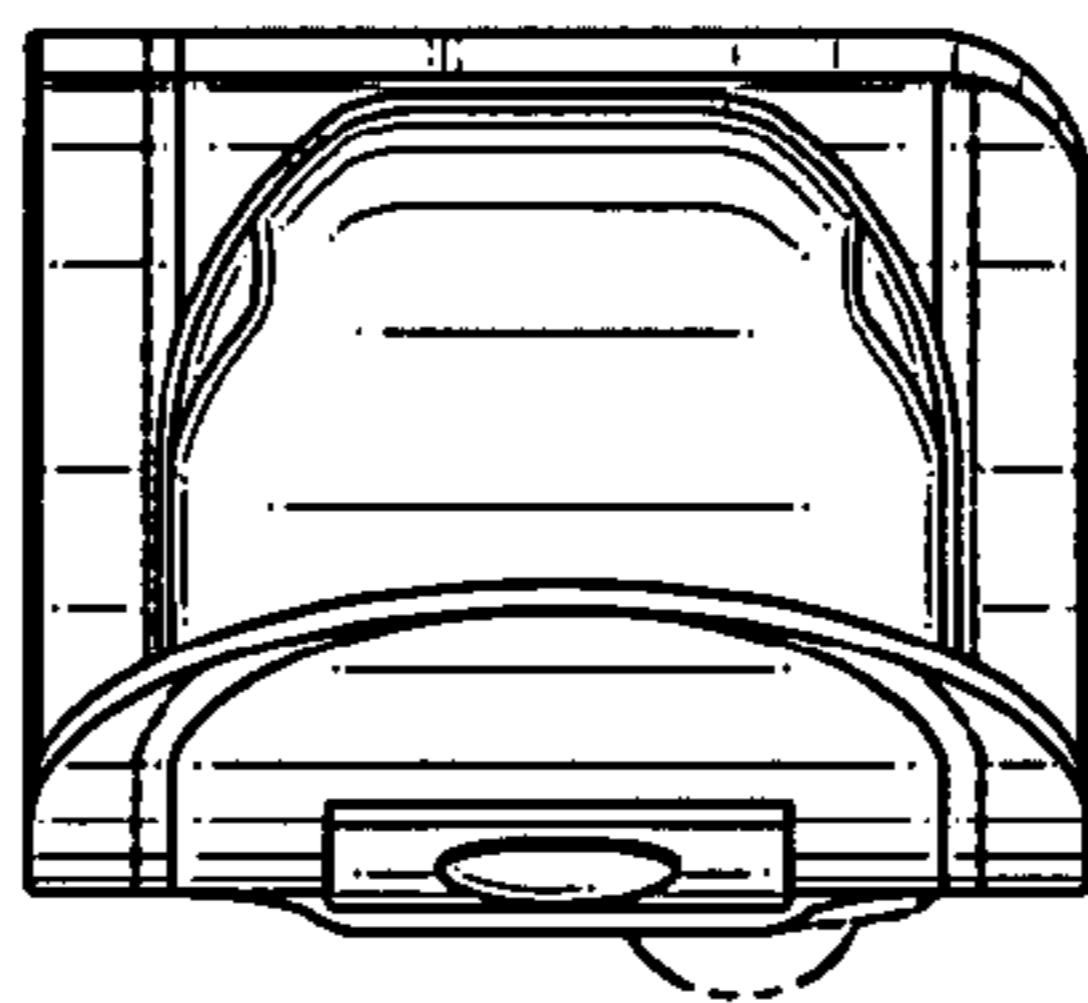


FIG. 5

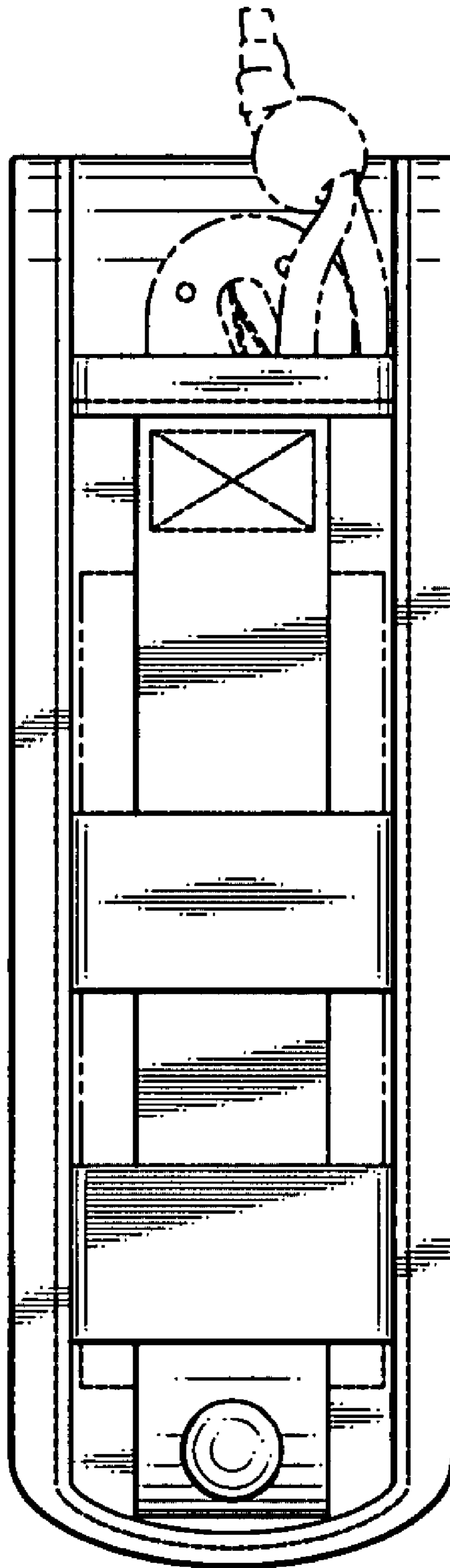


FIG. 7