



US00D574573S

(12) **United States Design Patent**  
**Golias, Jr. et al.**

(10) **Patent No.:** **US D574,573 S**

(45) **Date of Patent:** **\*\* Aug. 5, 2008**

(54) **FORKABLE BASE STAND**

D423,179 S \* 4/2000 Horner et al. .... D34/38  
D442,758 S \* 5/2001 Bowman et al. .... D34/38

(75) Inventors: **Bernard J. Golias, Jr.**, Twinsburg, OH (US); **Gary W. James**, Parma Heights, OH (US); **Gary R. Kish**, Parma, OH (US)

\* cited by examiner

*Primary Examiner*—Cynthia E Ramirez  
(74) *Attorney, Agent, or Firm*—Fay Sharpe LLP

(73) Assignee: **Metal Fabricating Corporation**,  
Cleveland, OH (US)

(57) **CLAIM**

The ornamental design for a forkable base stand, as shown and described.

(\*\*) Term: **14 Years**

(21) Appl. No.: **29/289,052**

(22) Filed: **Jul. 3, 2007**

(51) **LOC (8) Cl.** ..... **09-08**

(52) **U.S. Cl.** ..... **D34/38**

(58) **Field of Classification Search** ..... D34/38;  
D8/371, 354; 108/51.11, 52.1, 55.1, 55.3,  
108/55.5, 901

See application file for complete search history.

**DESCRIPTION**

FIG. 1 is a front elevational view of a forkable base stand;

FIG. 2 is a top plan view of the base stand;

FIG. 3 is a left side elevational view thereof;

FIG. 4 is a rear elevational view thereof;

FIG. 5 is the bottom plan view thereof;

FIG. 6 is a top perspective view thereof; and,

FIG. 7 is a bottom perspective view thereof.

The elements shown in broken lines in the figures are included for illustrative purpose only and form no part of the claimed design.

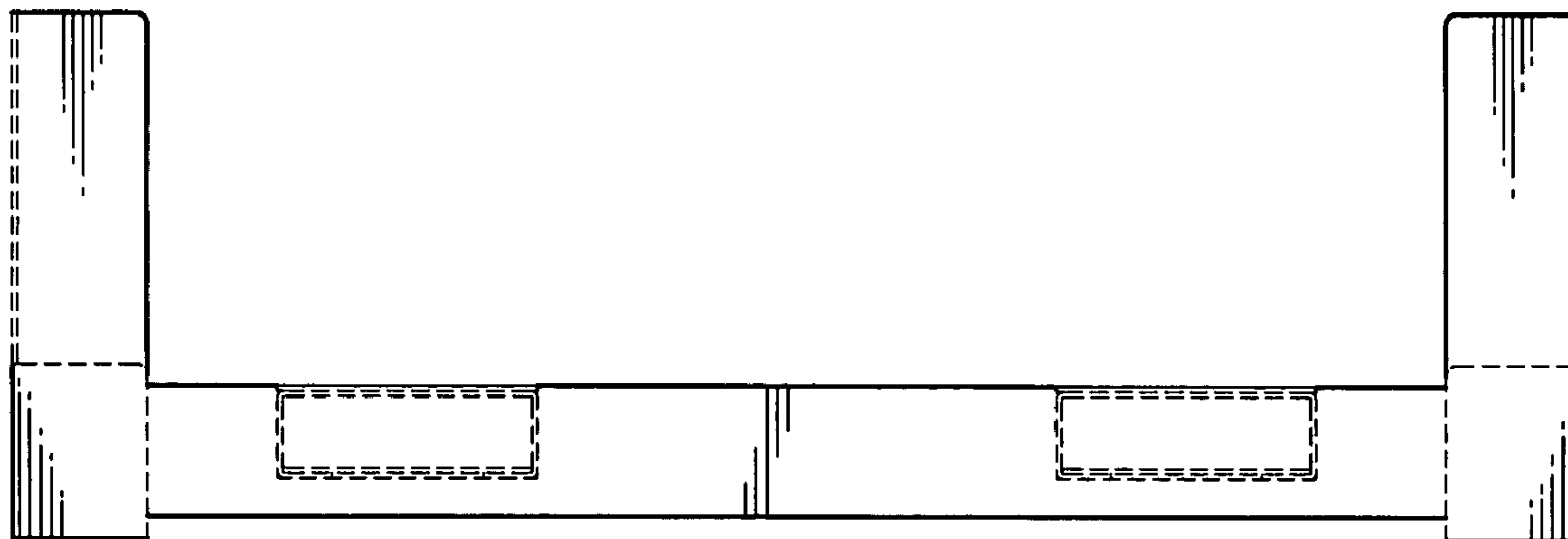
(56) **References Cited**

U.S. PATENT DOCUMENTS

3,415,532 A \* 12/1968 Fingerut et al. .... 280/651

4,478,156 A \* 10/1984 Andersson ..... 108/53.1

**1 Claim, 3 Drawing Sheets**



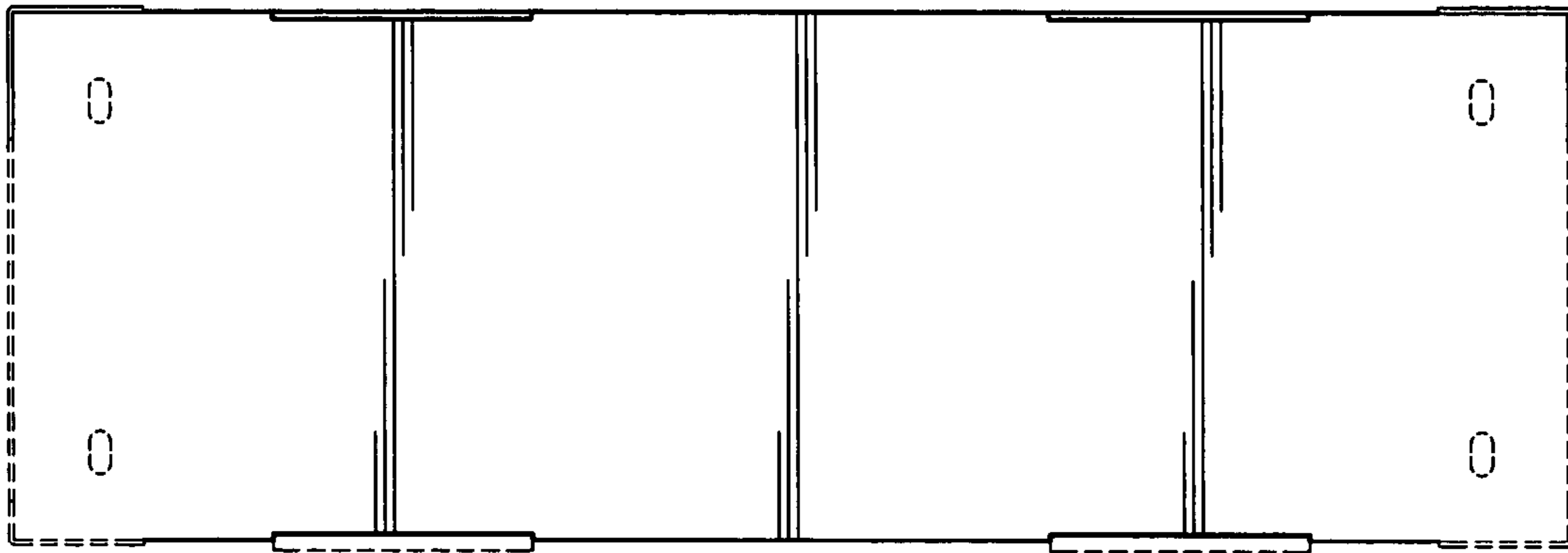


FIG. 2

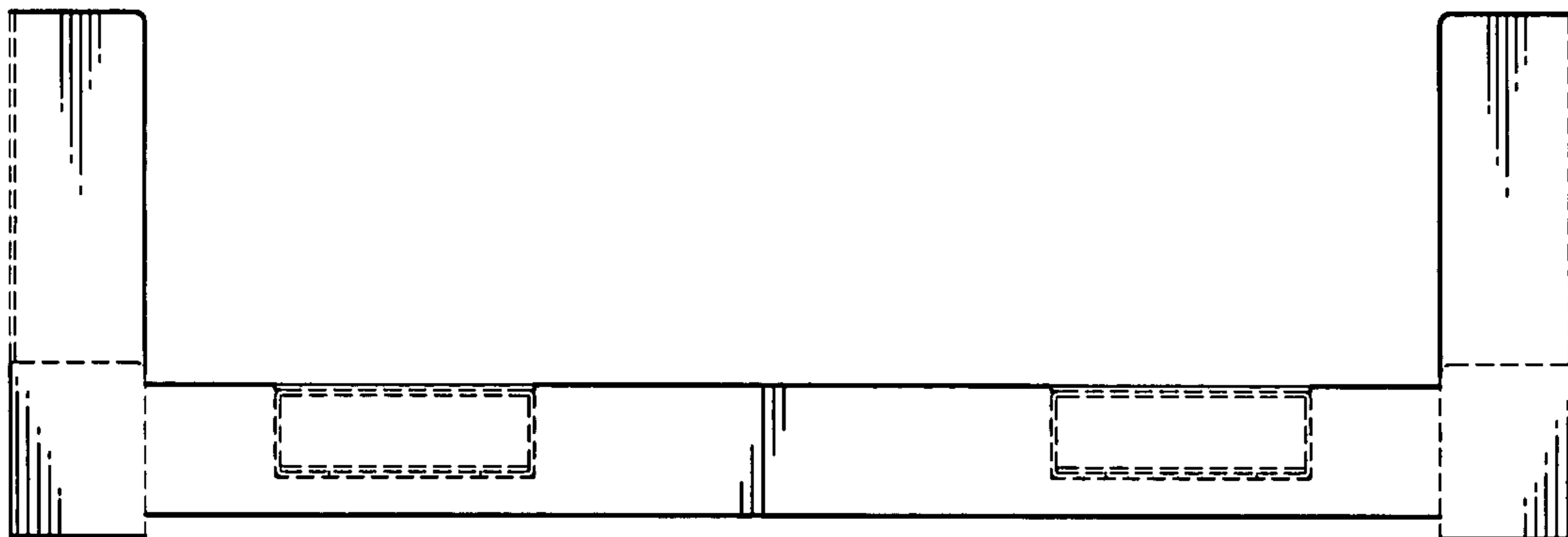
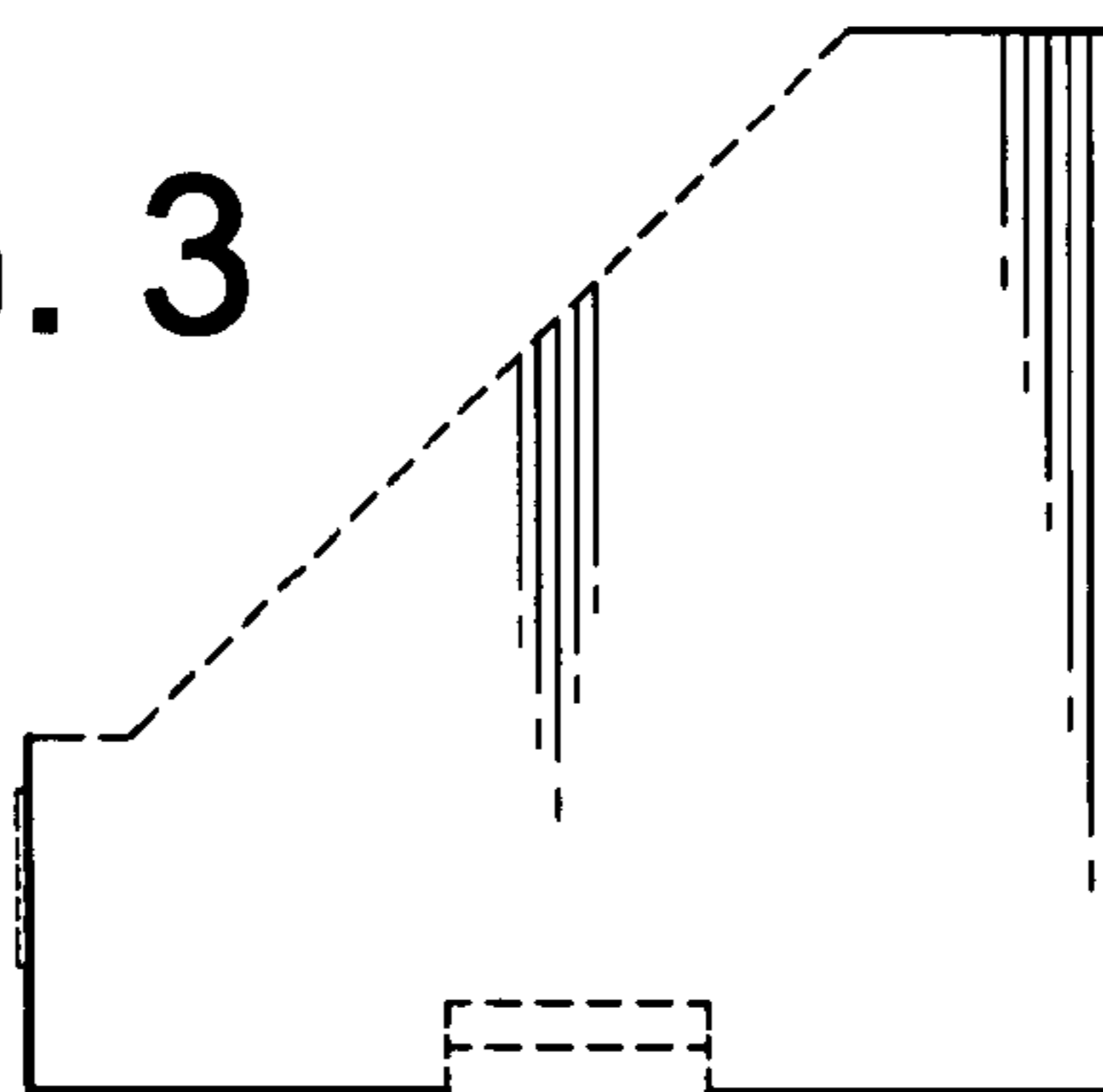


FIG. 1

FIG. 3



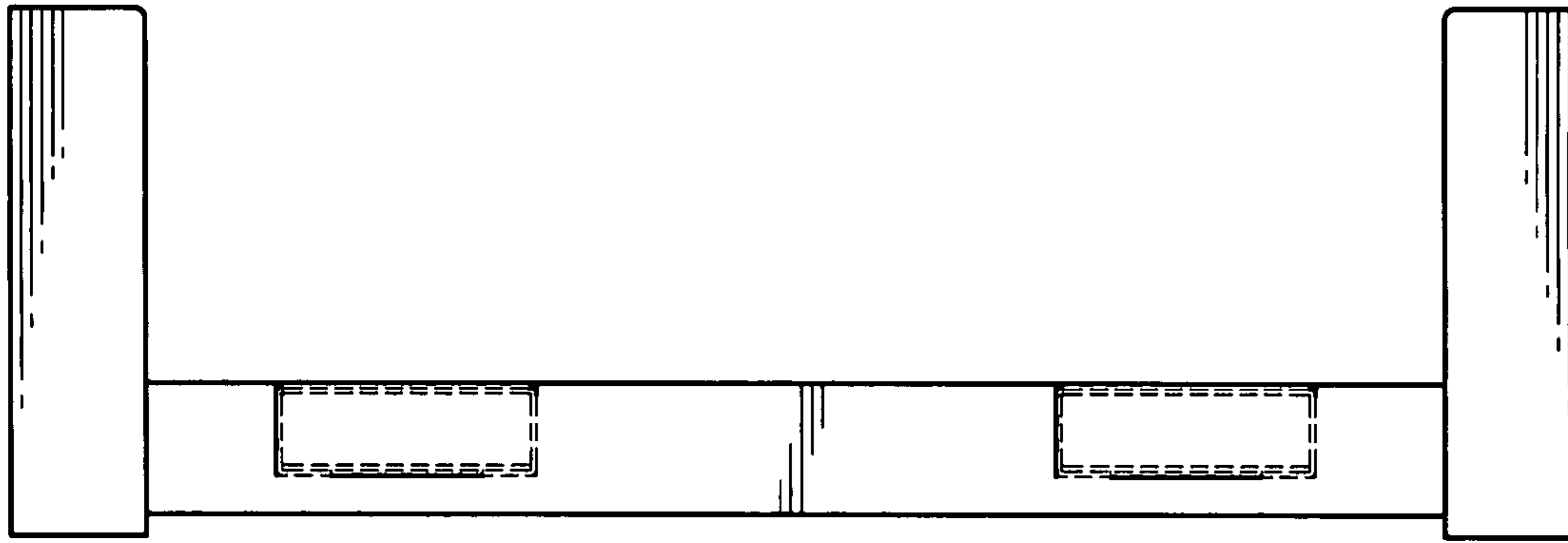


FIG. 4

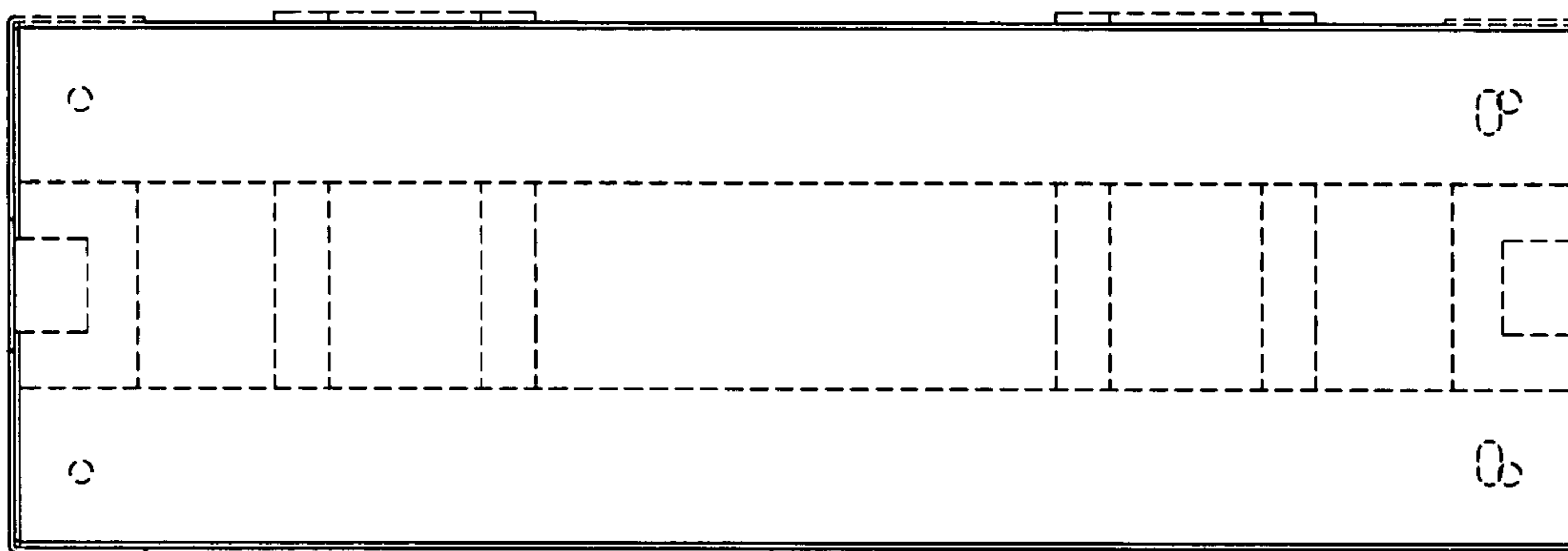


FIG. 5

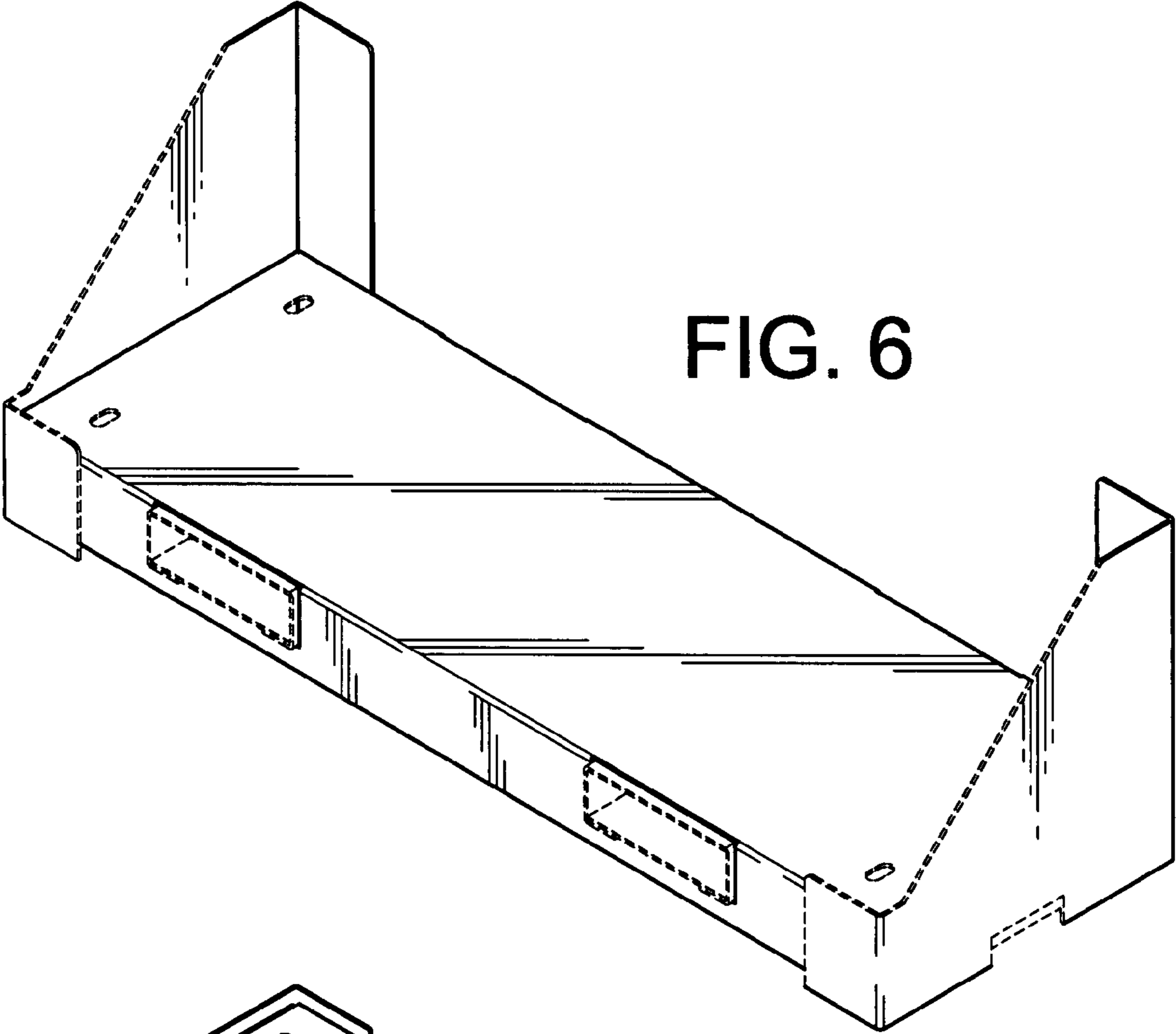


FIG. 6

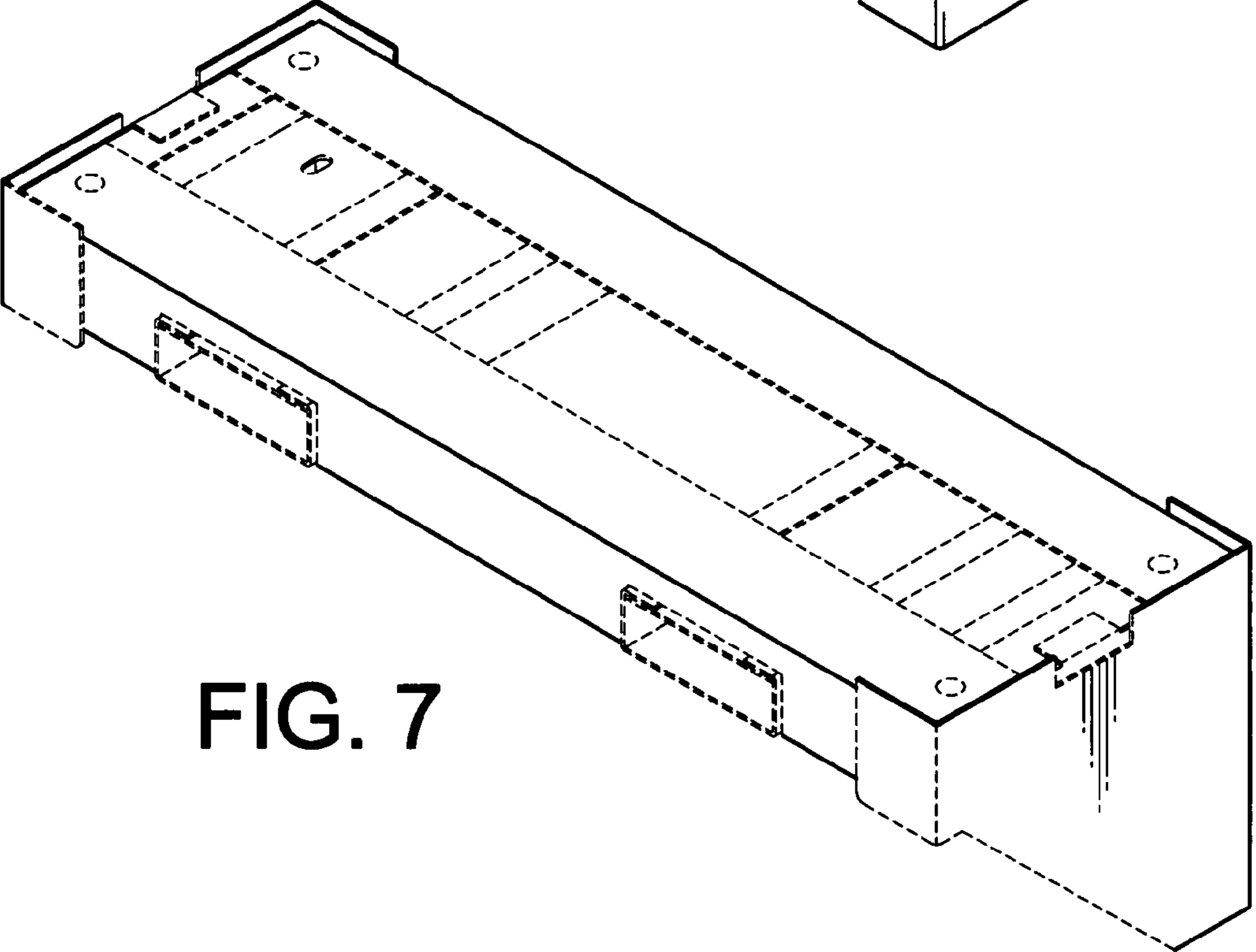


FIG. 7