



US00D574572S

(12) **United States Design Patent**  
**Klinger et al.**

(10) **Patent No.:** **US D574,572 S**

(45) **Date of Patent:** **\*\* Aug. 5, 2008**

(54) **ELEVATOR BRAKE**

(75) Inventors: **Guenther Klinger**, Oberostendorf (DE);  
**Harald Weiss**, Stottwang (DE); **Johann Eberle**, Irsee (DE); **Christoph Dropmann**, Kaufbeuren (DE)

(73) Assignee: **Chr. Mayr GmbH & Co. KG**,  
Mauerstetten (DE)

(\*\*) Term: **14 Years**

(21) Appl. No.: **29/263,722**

(22) Filed: **Jul. 28, 2006**

(30) **Foreign Application Priority Data**

Jan. 31, 2006 (EM) ..... 000472790-0005

(51) **LOC (8) Cl.** ..... **12-05**

(52) **U.S. Cl.** ..... **D34/35**

(58) **Field of Classification Search** ..... D34/28,  
D34/33, 35; 414/592; 187/351; 254/278  
See application file for complete search history.

(56) **References Cited**

**U.S. PATENT DOCUMENTS**

2,966,996 A \* 1/1961 Friend, Jr. .... 414/652

4,760,993 A \* 8/1988 Du Preez ..... 254/411  
D356,417 S \* 3/1995 Petre ..... D34/35  
6,520,299 B2 \* 2/2003 Rimann et al. .... 188/171  
6,796,548 B2 \* 9/2004 Nagata et al. .... 254/278  
2006/0151254 A1 \* 7/2006 Sevilleja-Perez et al. .... 187/351

**FOREIGN PATENT DOCUMENTS**

EP 0545369 A2 \* 9/1993 ..... 187/351

\* cited by examiner

*Primary Examiner*—Cynthia E Ramirez

(74) *Attorney, Agent, or Firm*—W. Norman Roth

(57) **CLAIM**

The ornamental design for an elevator brake, as shown.

**DESCRIPTION**

FIG. 1 is a front elevation view of an elevator brake showing our new design;

FIG. 2 is a rear elevation view thereof;

FIG. 3 is a top plan view thereof;

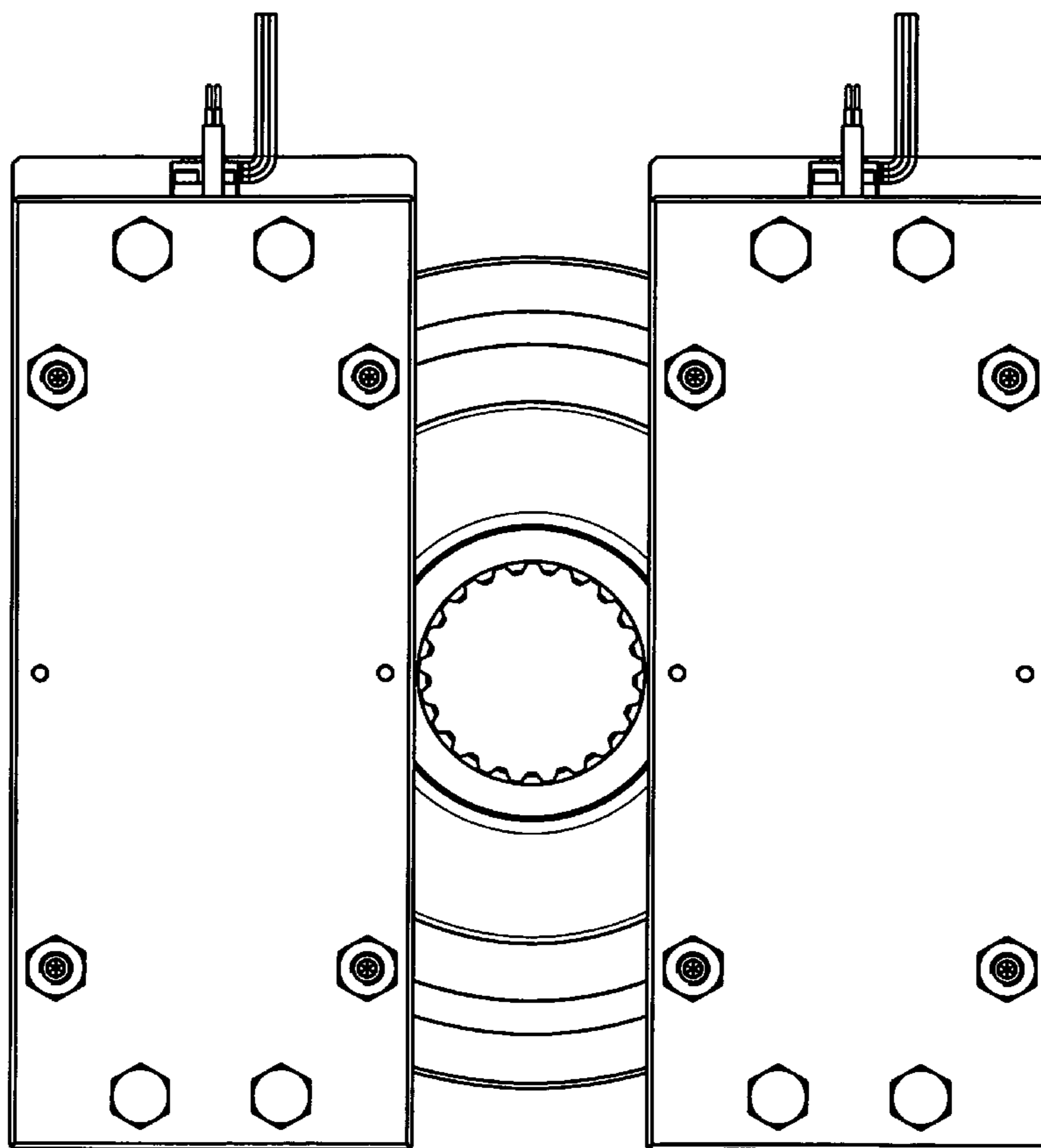
FIG. 4 is a bottom plan view thereof;

FIG. 5 is a left side elevation view thereof;

FIG. 6 is a right side elevation view thereof; and,

FIG. 7 is a perspective view thereof.

**1 Claim, 7 Drawing Sheets**



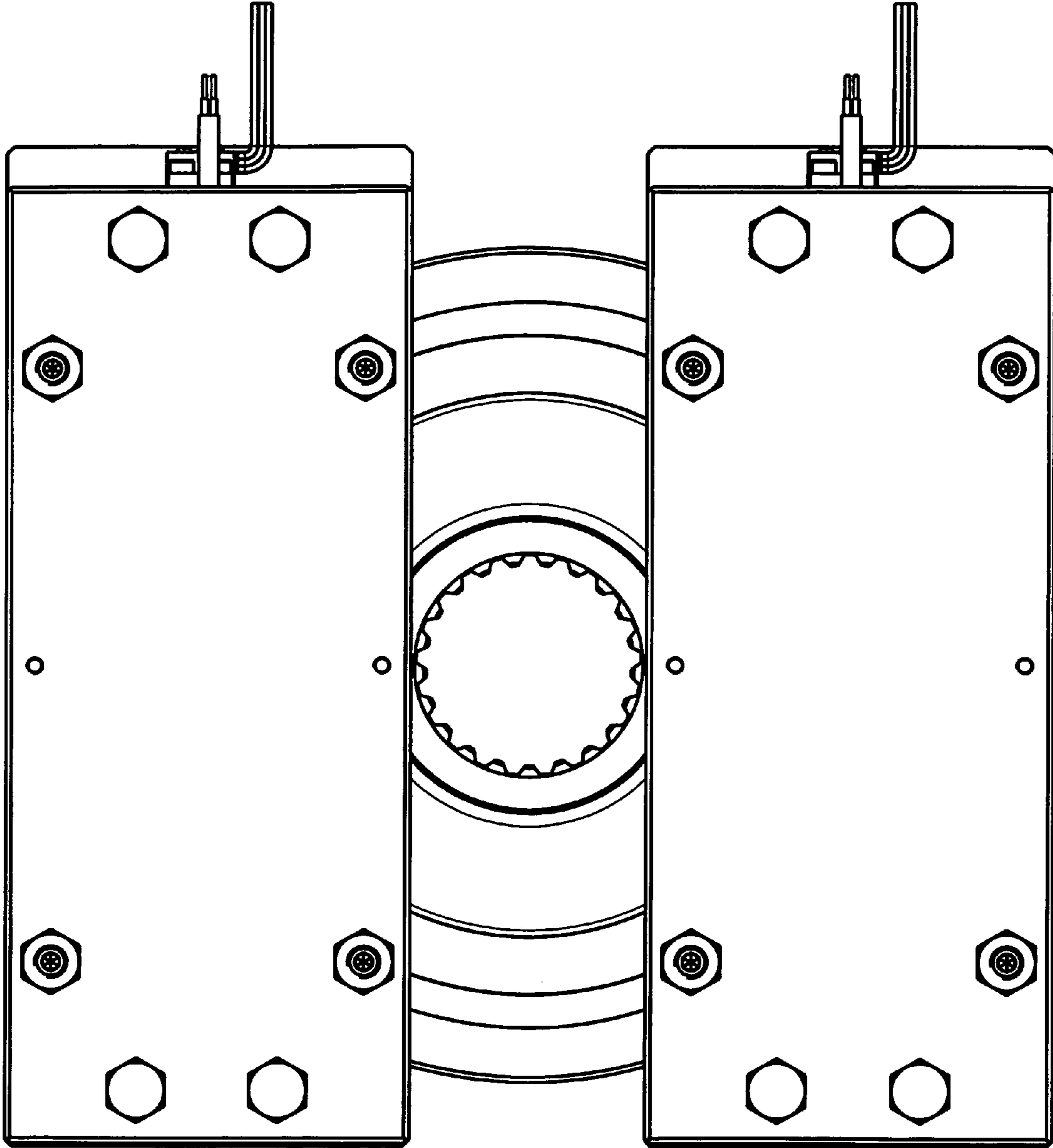


Figure 1

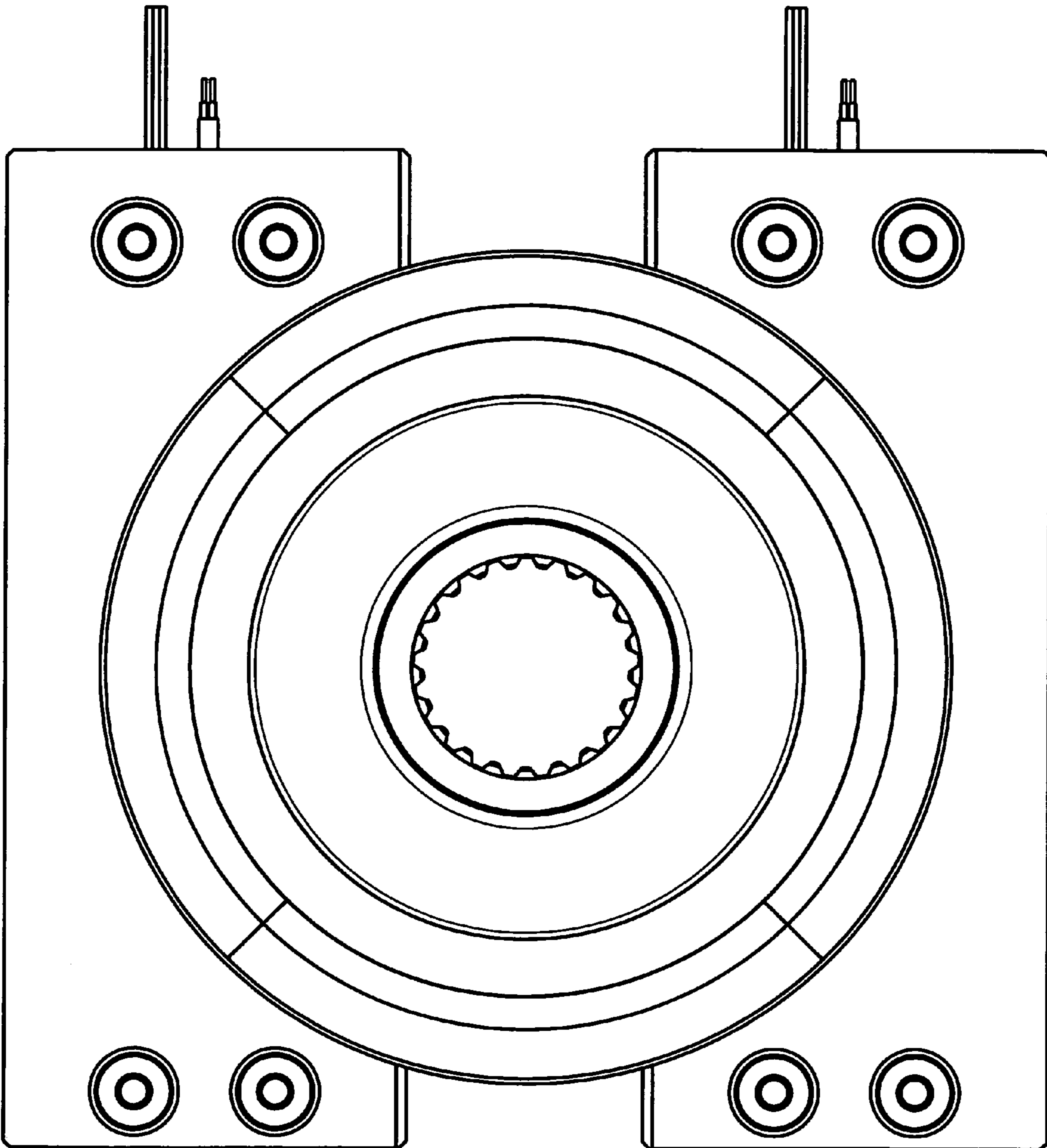


Figure 2

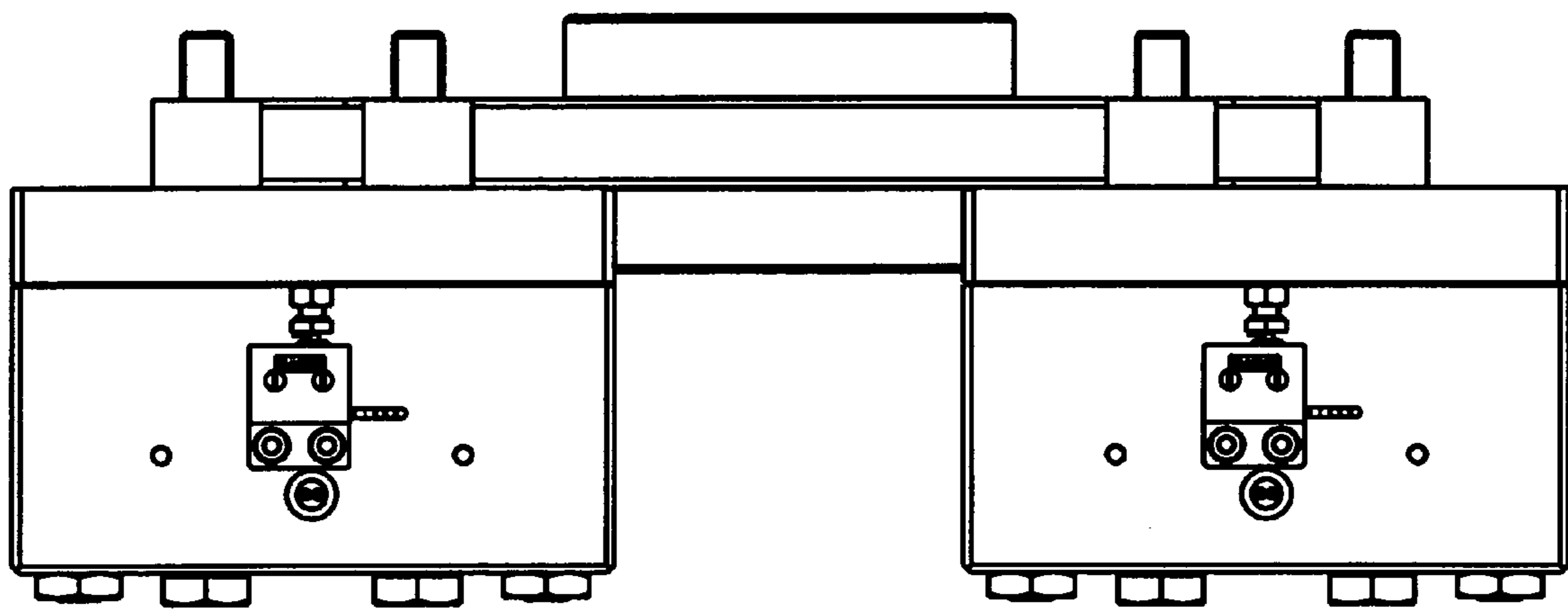


Figure 3

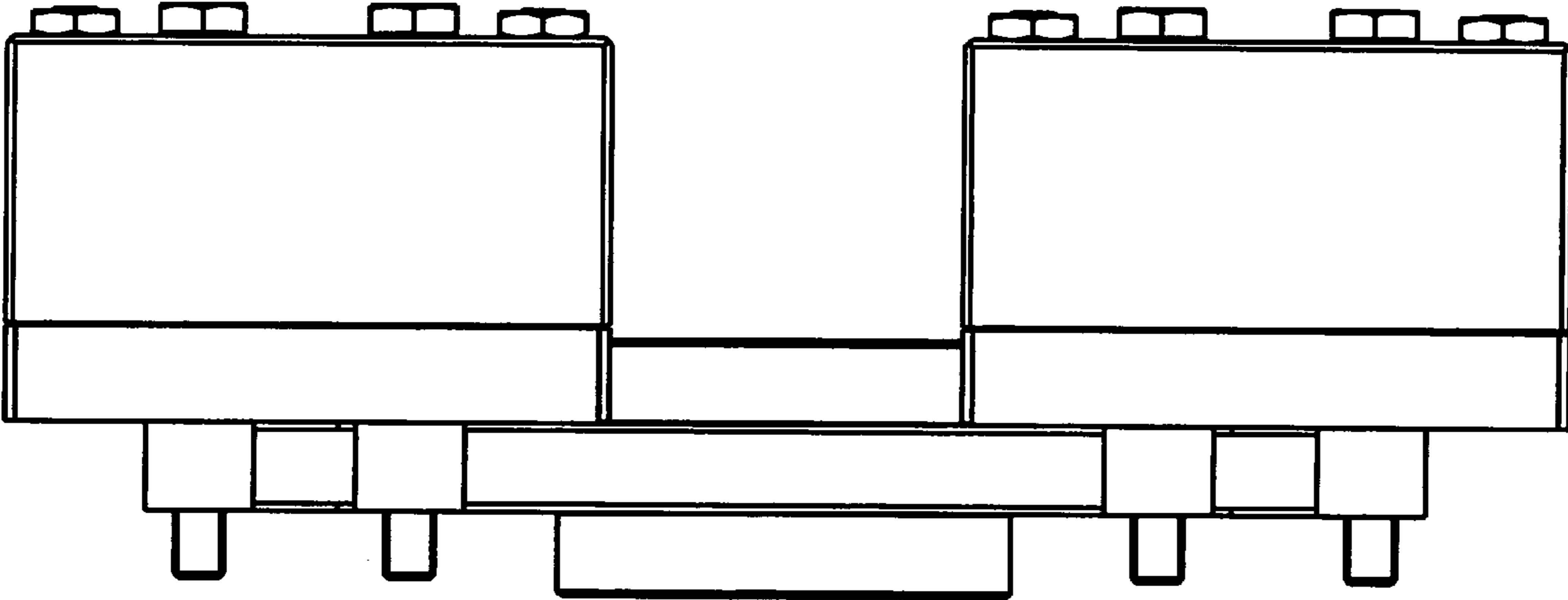


Figure 4

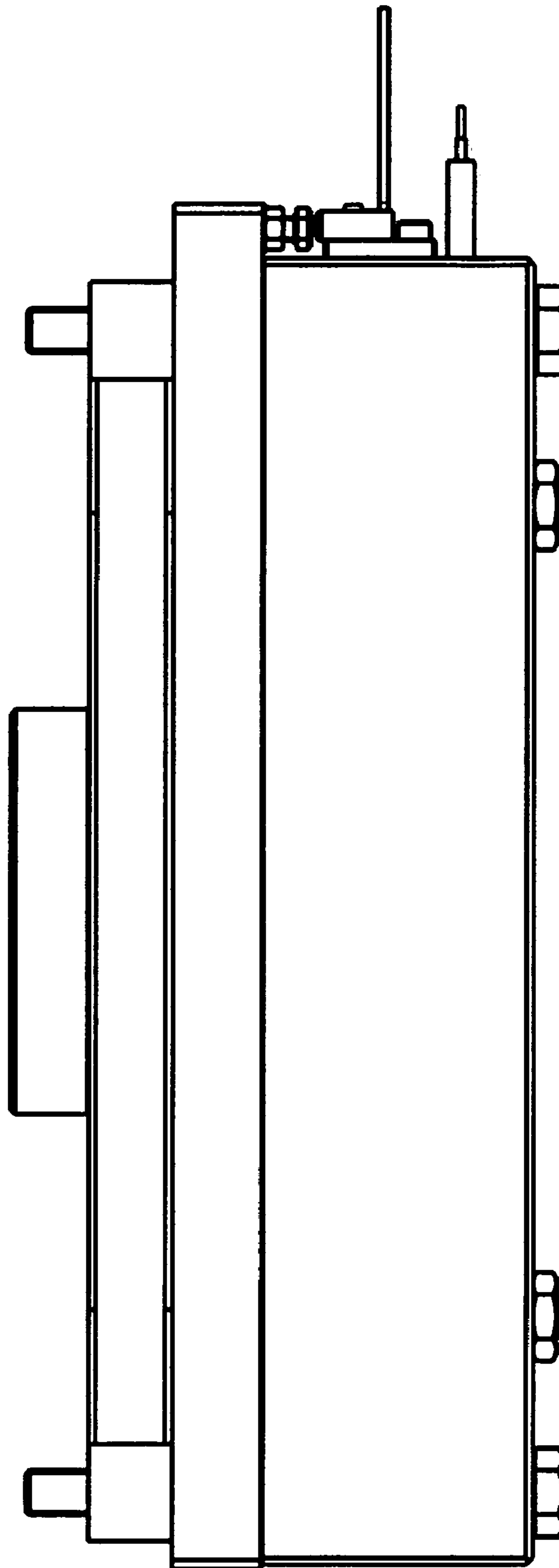


Figure 5

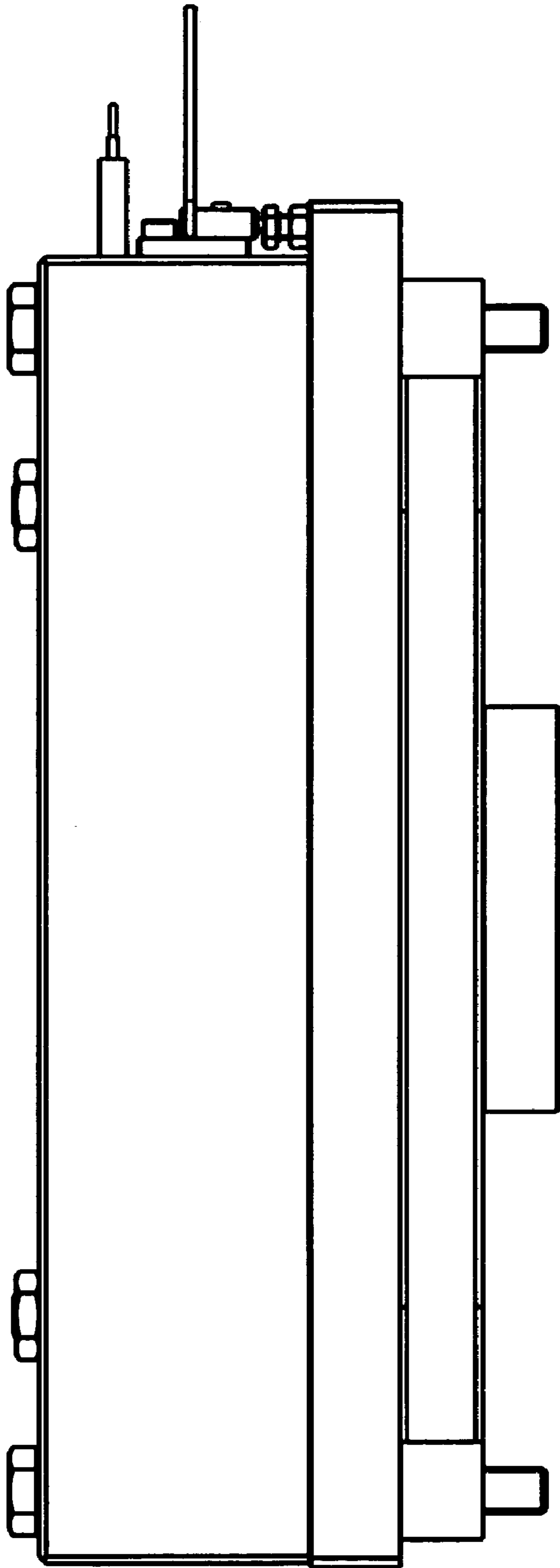


Figure 6

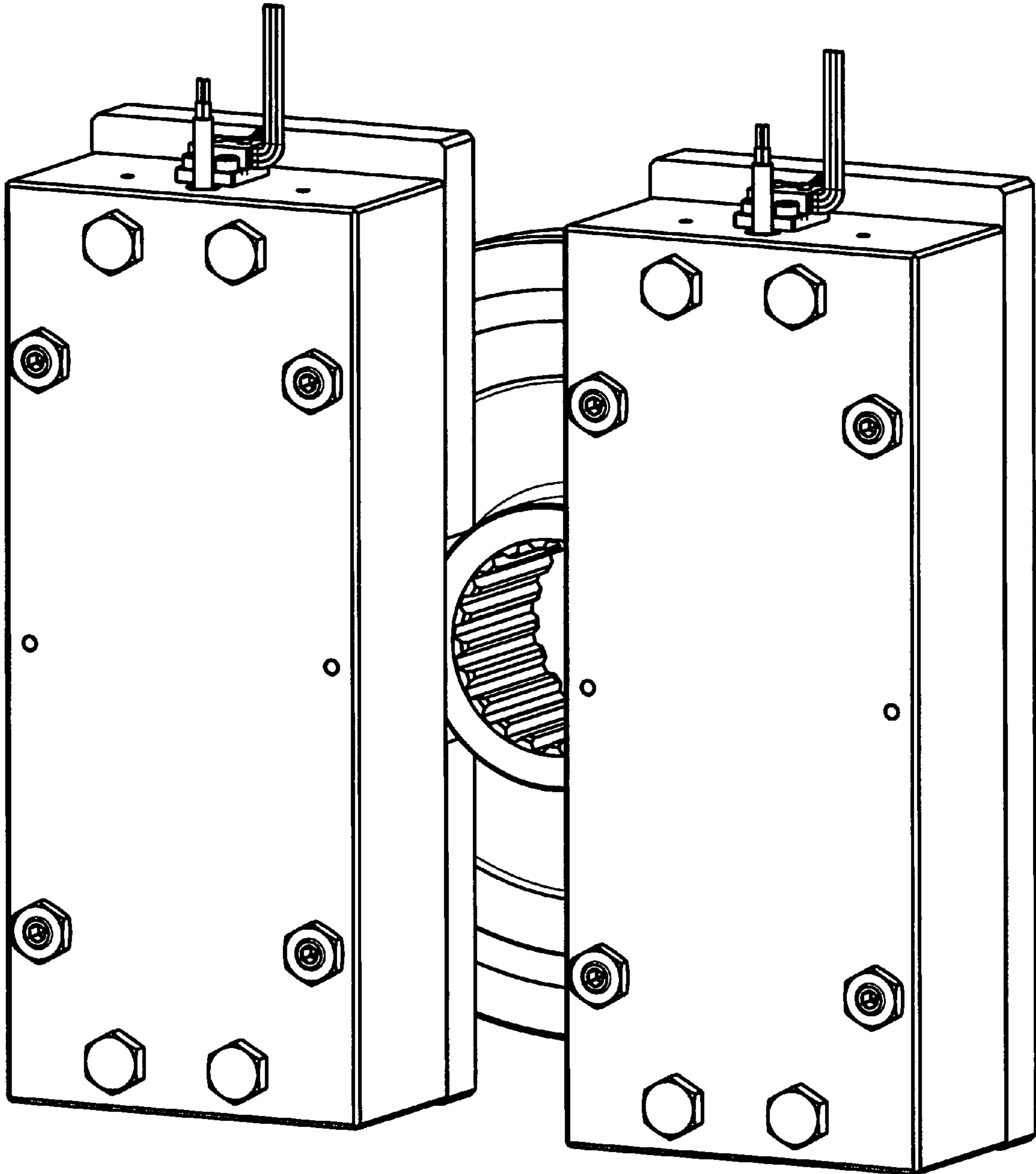


Figure 7