



US00D574571S

(12) **United States Design Patent**
Liao

(10) **Patent No.:** **US D574,571 S**

(45) **Date of Patent:** **** Aug. 5, 2008**

(54) **GOLF CART**

(75) Inventor: **Gordon Liao**, Yung Kang (TW)

(73) Assignee: **Unique Product & Design Co., Ltd.**,
Tainan Hsien (TW)

(**) Term: **14 Years**

(21) Appl. No.: **29/282,723**

(22) Filed: **Jul. 27, 2007**

(51) **LOC (8) Cl.** **12-13**

(52) **U.S. Cl.** **D34/15**

(58) **Field of Classification Search** D34/15,
D34/12-27; 280/646, 652, 47.24, 47.26,
280/654, 655, 39, 40, 79.11, 33.991, 33.992,
280/33.993; 180/19.1, 19.3
See application file for complete search history.

(56) **References Cited**

U.S. PATENT DOCUMENTS

6,079,718	A *	6/2000	Liao	280/47.26
6,126,184	A *	10/2000	Liao	280/47.371
D450,902	S *	11/2001	Liao	D34/15
6,695,324	B1 *	2/2004	Wu	280/47.315
D519,704	S *	4/2006	Wu	D34/15
D531,778	S *	11/2006	Liao	D34/15
7,219,920	B2 *	5/2007	Lin	280/651

D548,420	S *	8/2007	Liao	D34/15
D549,421	S *	8/2007	Liao et al.	D34/15
2004/0026897	A1 *	2/2004	Wu	280/652
2004/0135331	A1 *	7/2004	Liao	280/47.2
2004/0145137	A1 *	7/2004	Yang	280/47.26
2006/0226617	A1 *	10/2006	Lin	280/47.17

* cited by examiner

Primary Examiner—Cynthia E Ramirez

(74) *Attorney, Agent, or Firm*—Alan Kamrath; Kamrath & Associates PA

(57) **CLAIM**

The ornamental design for a golf cart, as shown and described.

DESCRIPTION

FIG. 1 is a perspective view of a golf cart showing my new design;

FIG. 2 is a front elevational view thereof;

FIG. 3 is a rear elevational view thereof;

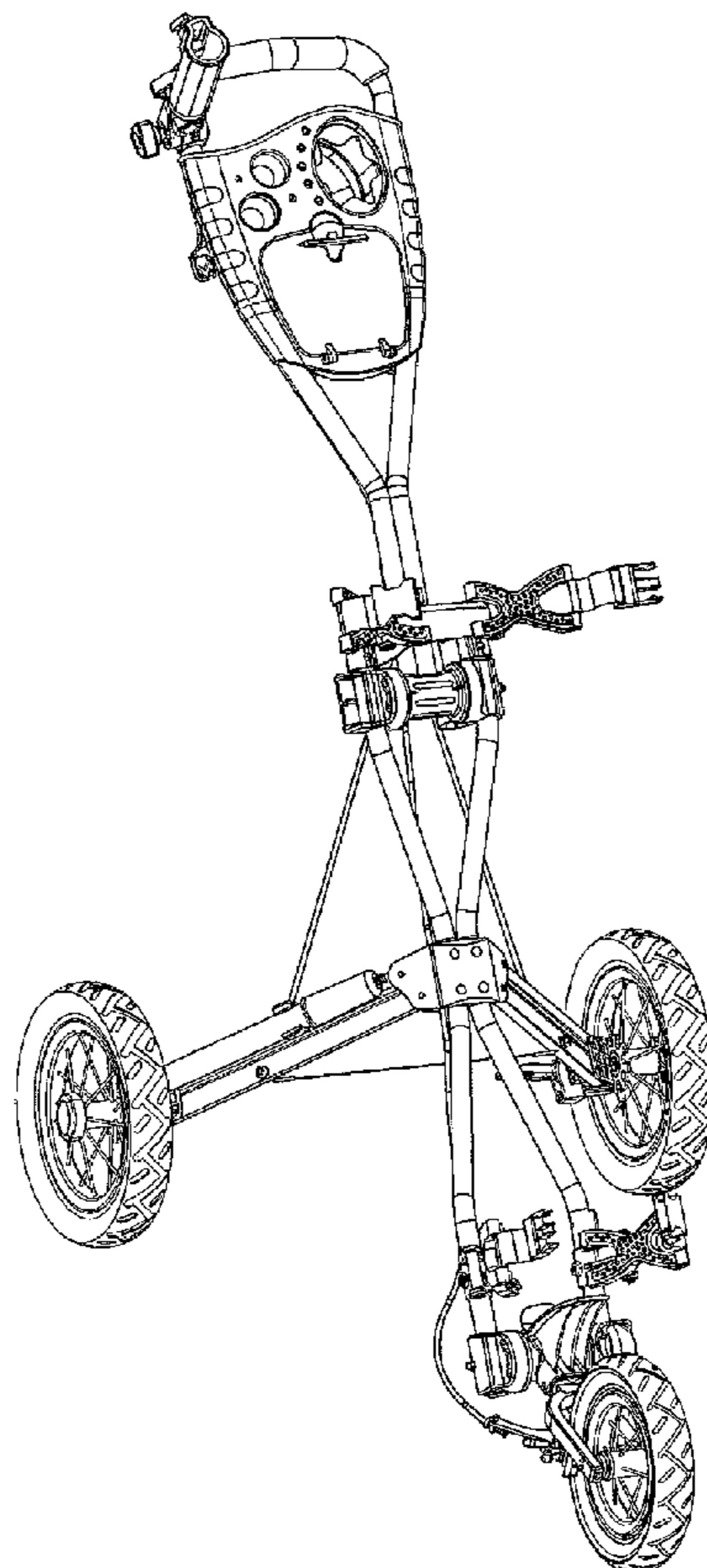
FIG. 4 is a left side elevational view thereof;

FIG. 5 is a right side elevational view thereof;

FIG. 6 is a top plan view thereof; and,

FIG. 7 is a bottom plan view thereof.

1 Claim, 7 Drawing Sheets



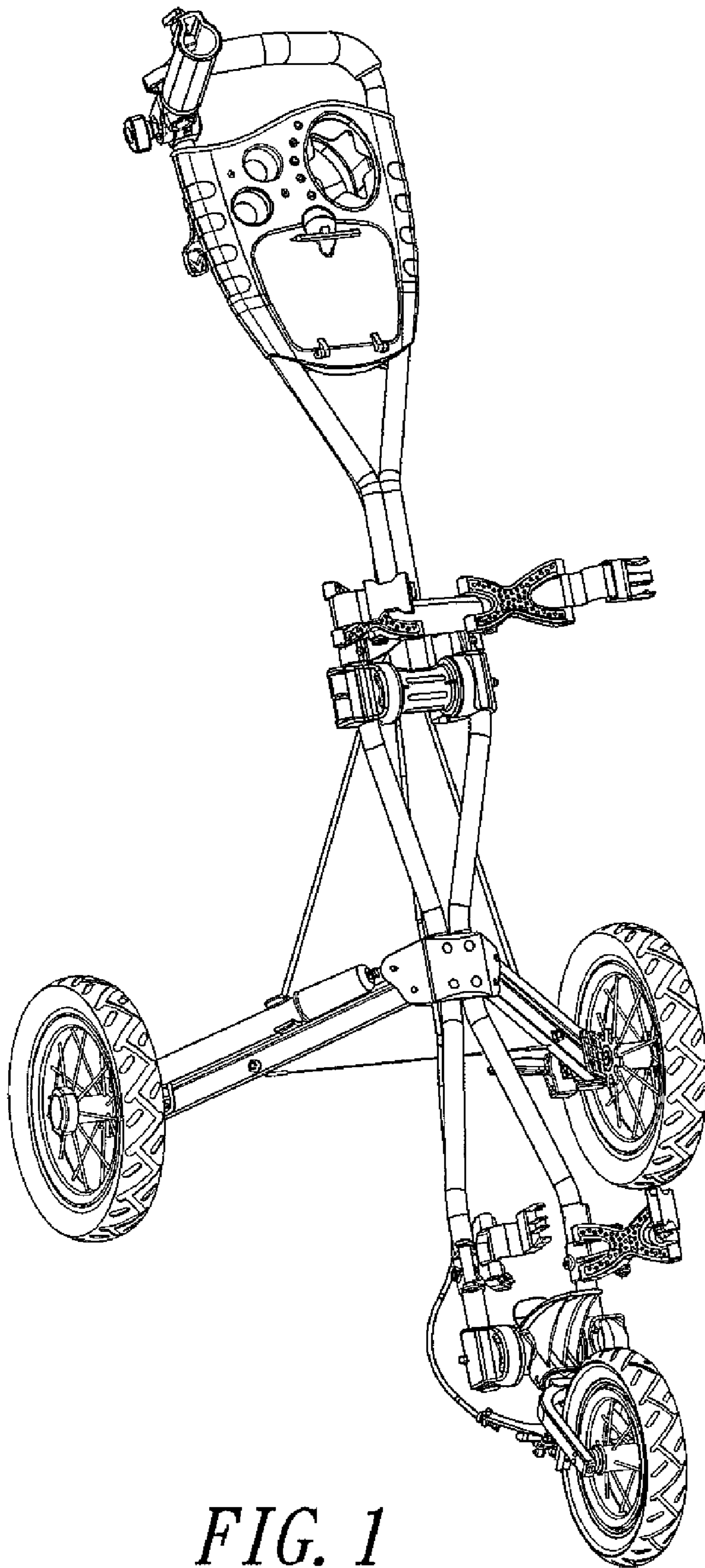


FIG. 1

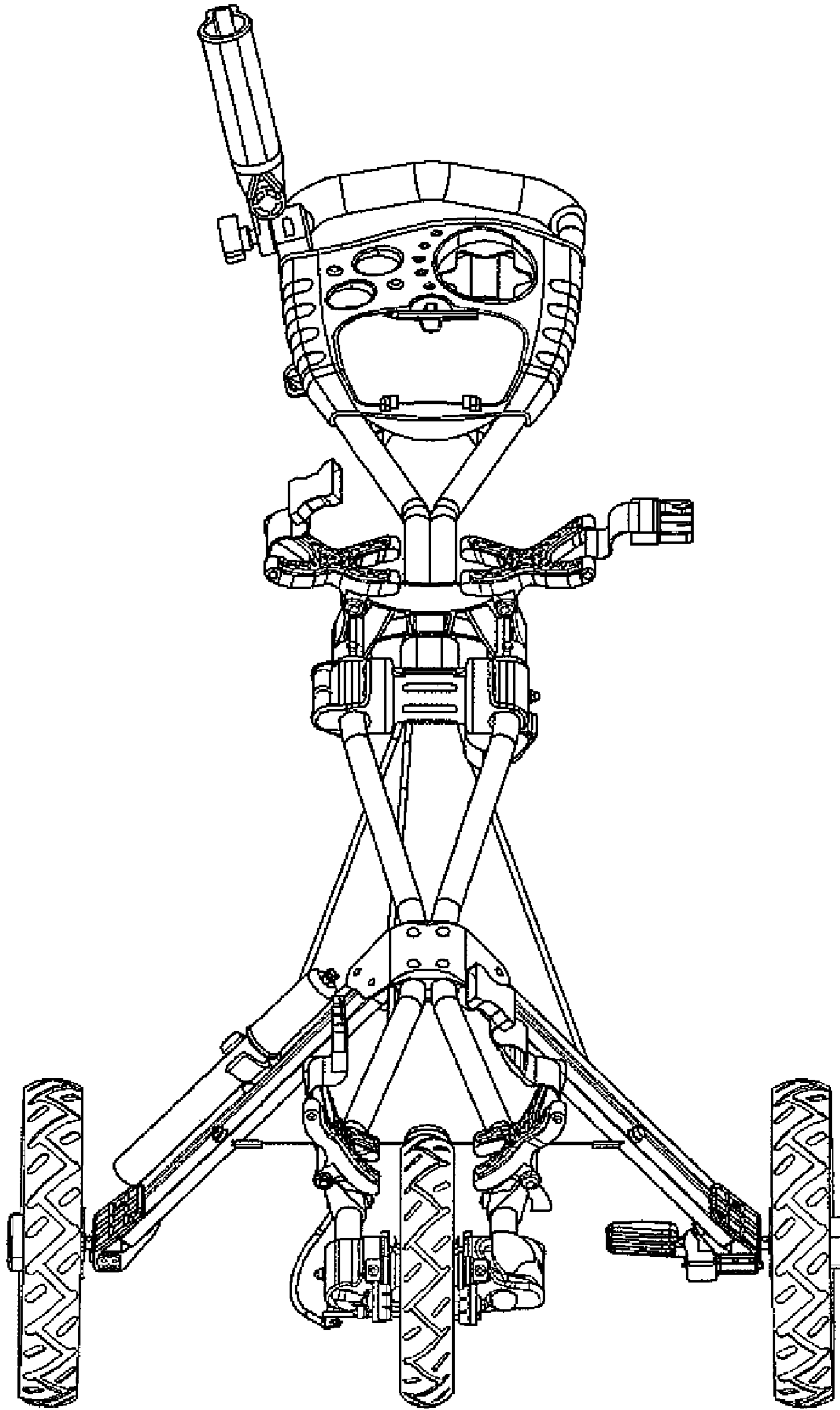


FIG. 2

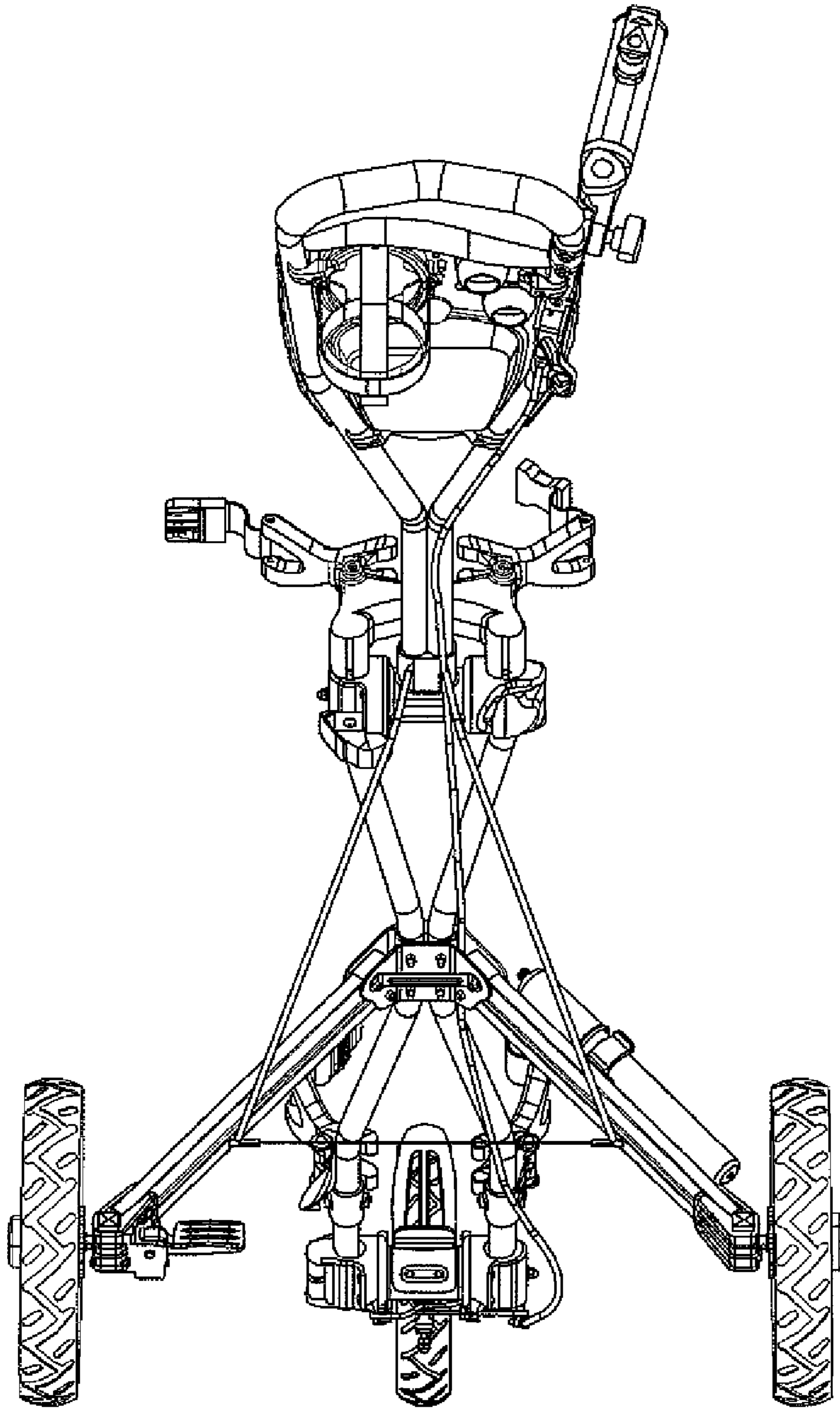


FIG. 3

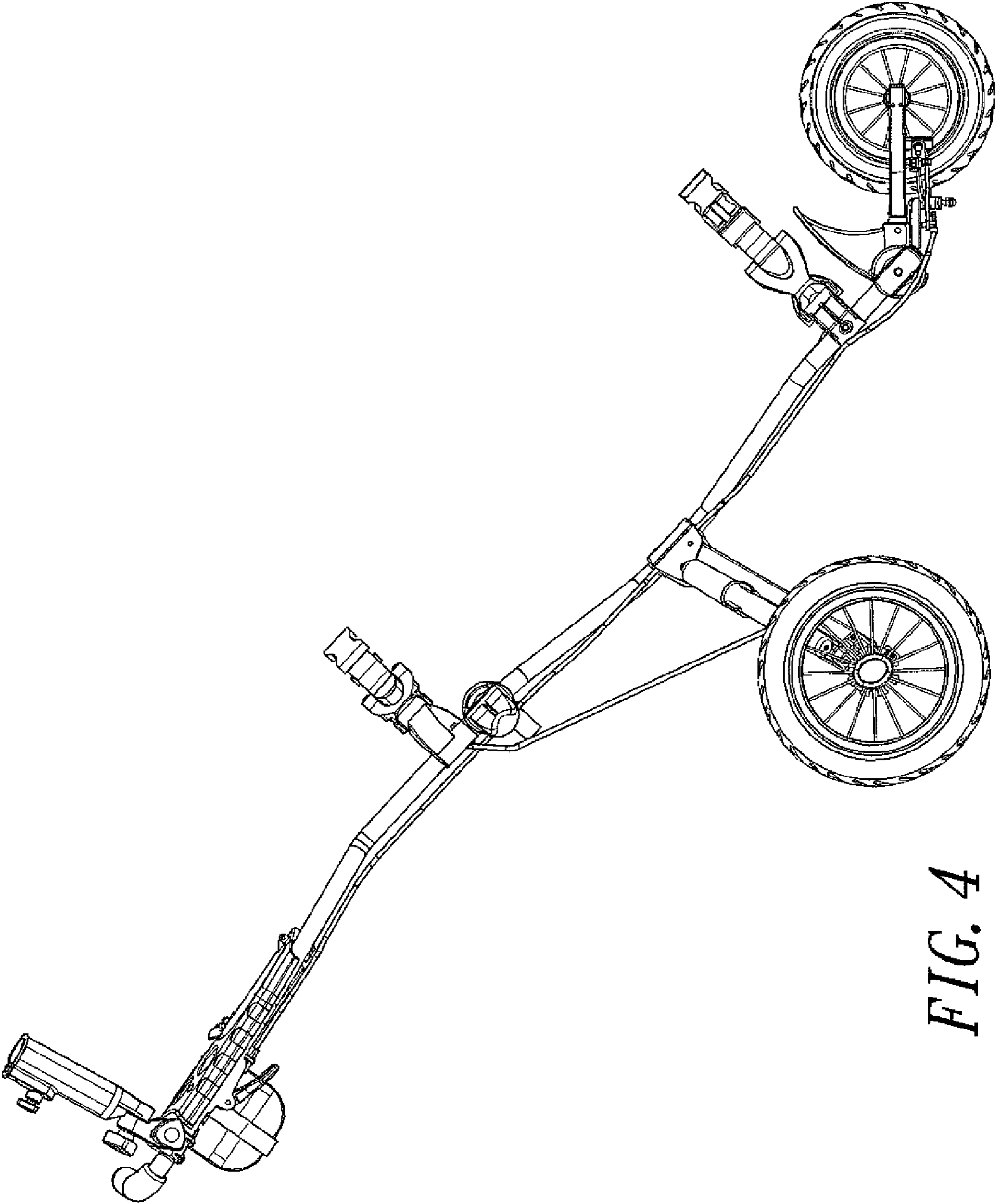


FIG. 4

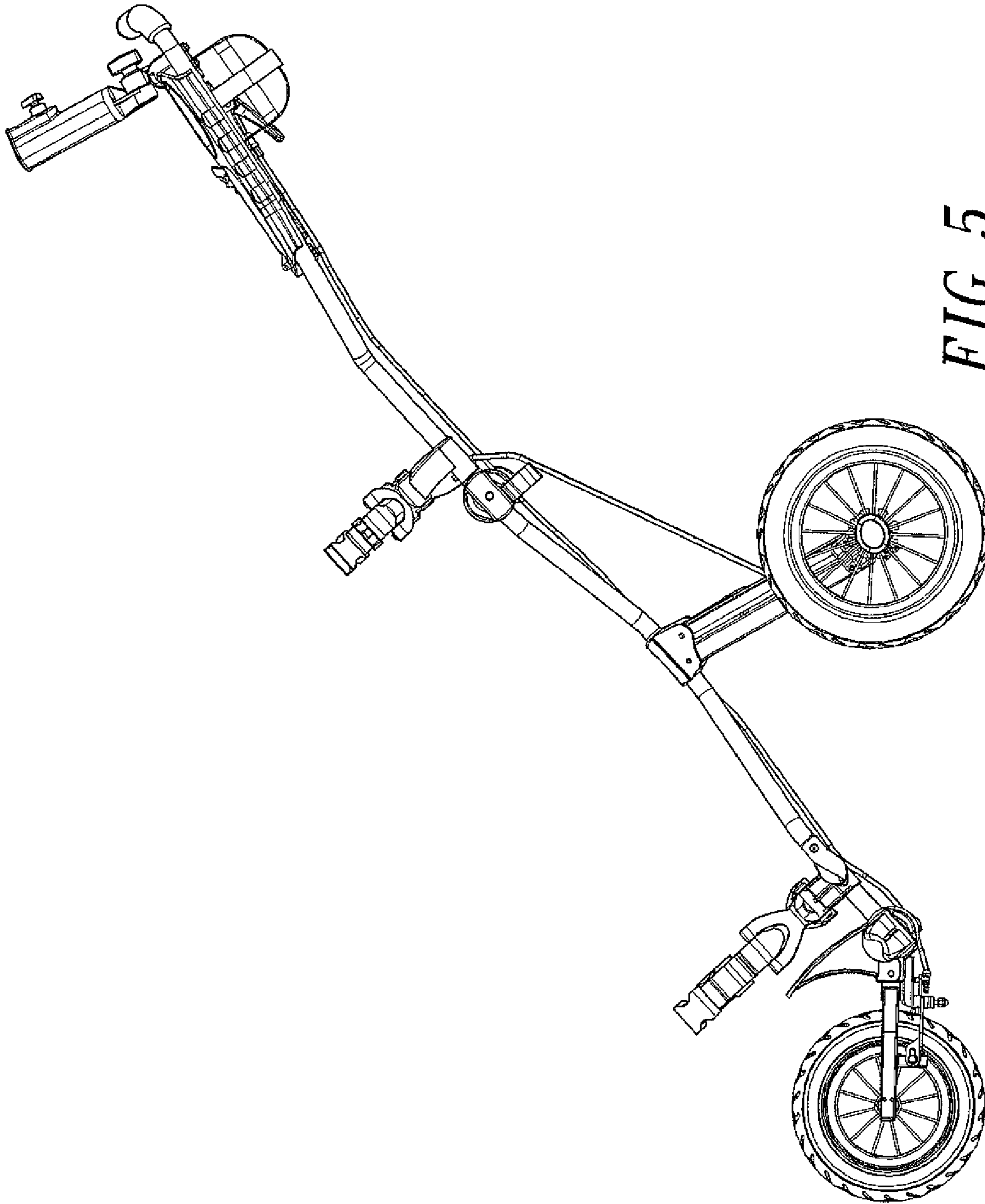


FIG. 5

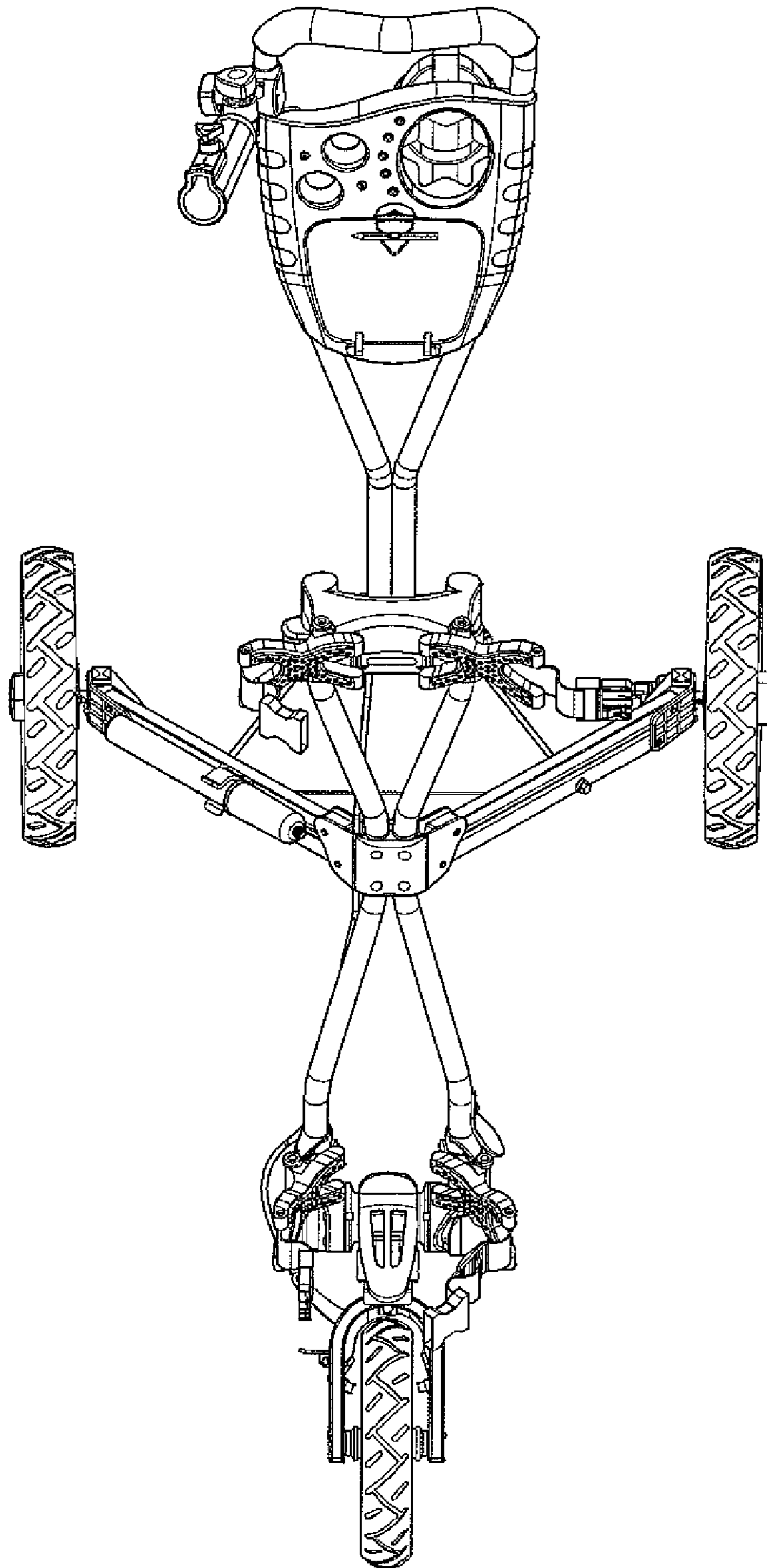


FIG. 6

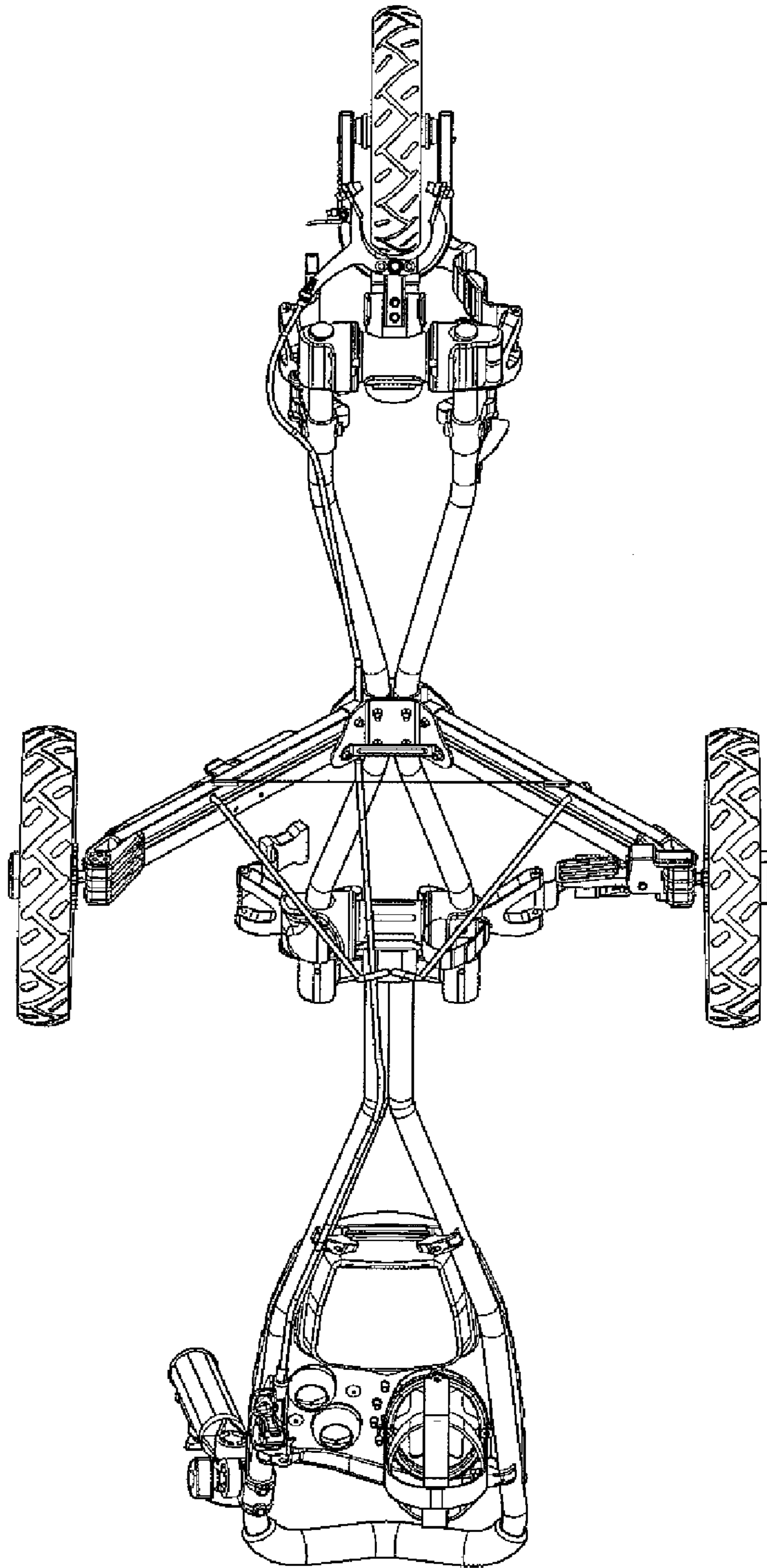


FIG. 7