



US00D574569S

(12) **United States Design Patent**
Yang et al.

(10) **Patent No.:** **US D574,569 S**

(45) **Date of Patent:** **** Aug. 5, 2008**

(54) **TRASH CAN**

(75) Inventors: **Frank Yang**, Rancho Palos Verdes, CA (US); **Tzu-Hao Wei**, Hacienda Heights, CA (US); **Di-Fong Chang**, Torrance, CA (US); **William Hsu**, Diamond Bar, CA (US)

(73) Assignee: **Simplehuman LLC**, Torrance, CA (US)

(**) Term: **14 Years**

(21) Appl. No.: **29/293,145**

(22) Filed: **Nov. 6, 2007**

(51) **LOC (8) Cl.** **09-09**

(52) **U.S. Cl.** **D34/9**

(58) **Field of Classification Search** D34/1-11;
220/908-913, 262-264

See application file for complete search history.

(56) **References Cited**

U.S. PATENT DOCUMENTS

- D261,720 S * 11/1981 Brazis D34/9
- 4,785,964 A * 11/1988 Miller et al. 220/263
- D319,915 S * 9/1991 Cook D2/860
- D322,350 S * 12/1991 Craft et al. D34/9

- D381,784 S * 7/1997 Keller et al. D34/9
- D431,700 S * 10/2000 Roudebush D32/53
- D540,001 S * 4/2007 Zimmerman D34/9
- D555,320 S * 11/2007 Yang et al. D34/9
- D564,723 S * 3/2008 Yang et al. D34/9
- 2005/0230396 A1 * 10/2005 Yang et al. 220/264

* cited by examiner

Primary Examiner—Cynthia E Ramirez

(74) *Attorney, Agent, or Firm*—Liu & Liu

(57) **CLAIM**

The ornamental design for a trash can, as shown and described.

DESCRIPTION

FIG. 1 is a right perspective view of a trash can showing our new design;

FIG. 2 is a right side view thereof;

FIG. 3 is a front view thereof;

FIG. 4 is a left side view thereof;

FIG. 5 is a rear view thereof;

FIG. 6 is a top plan view thereof; and,

FIG. 7 is a bottom plan view thereof.

1 Claim, 7 Drawing Sheets

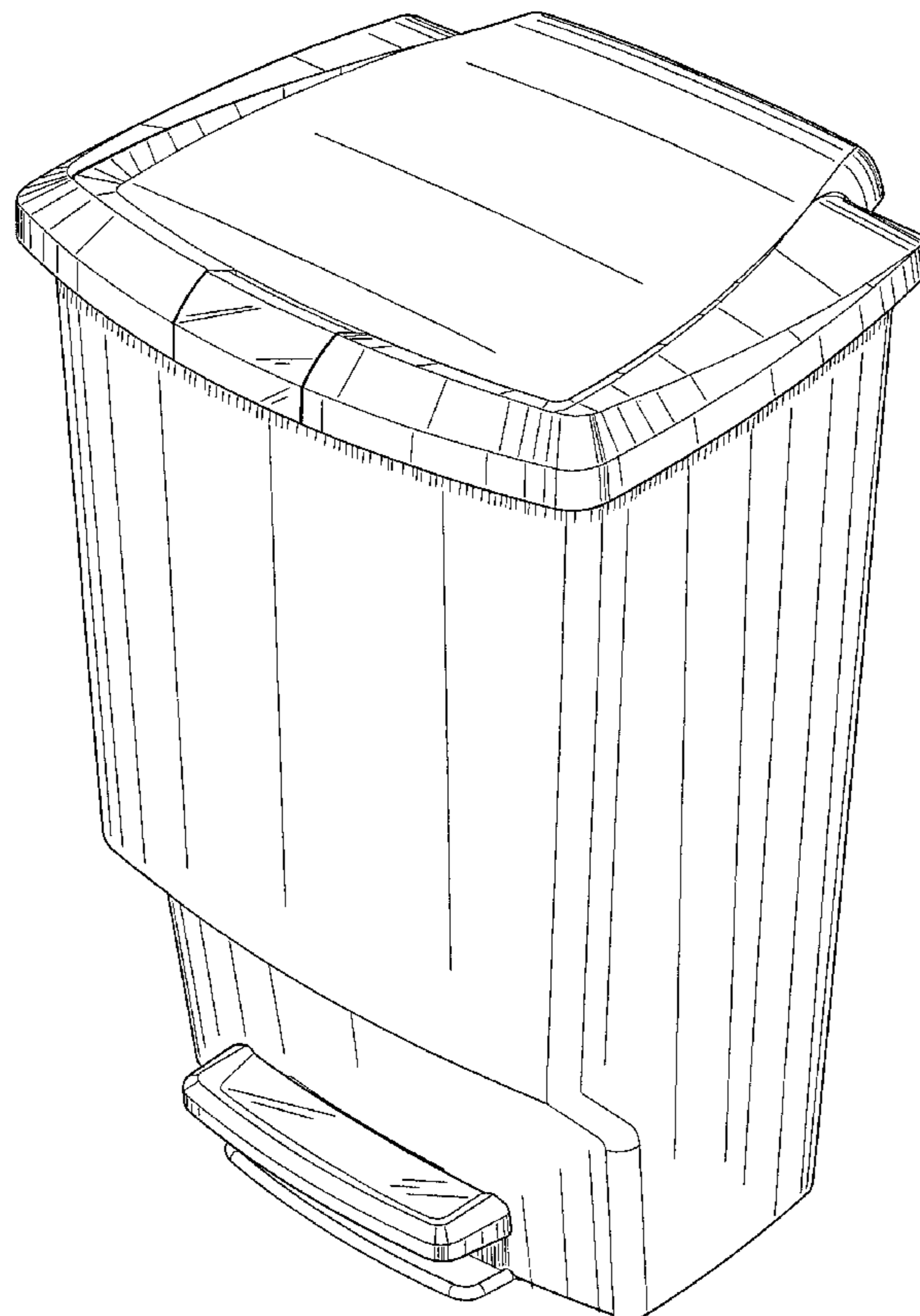


FIG. 1

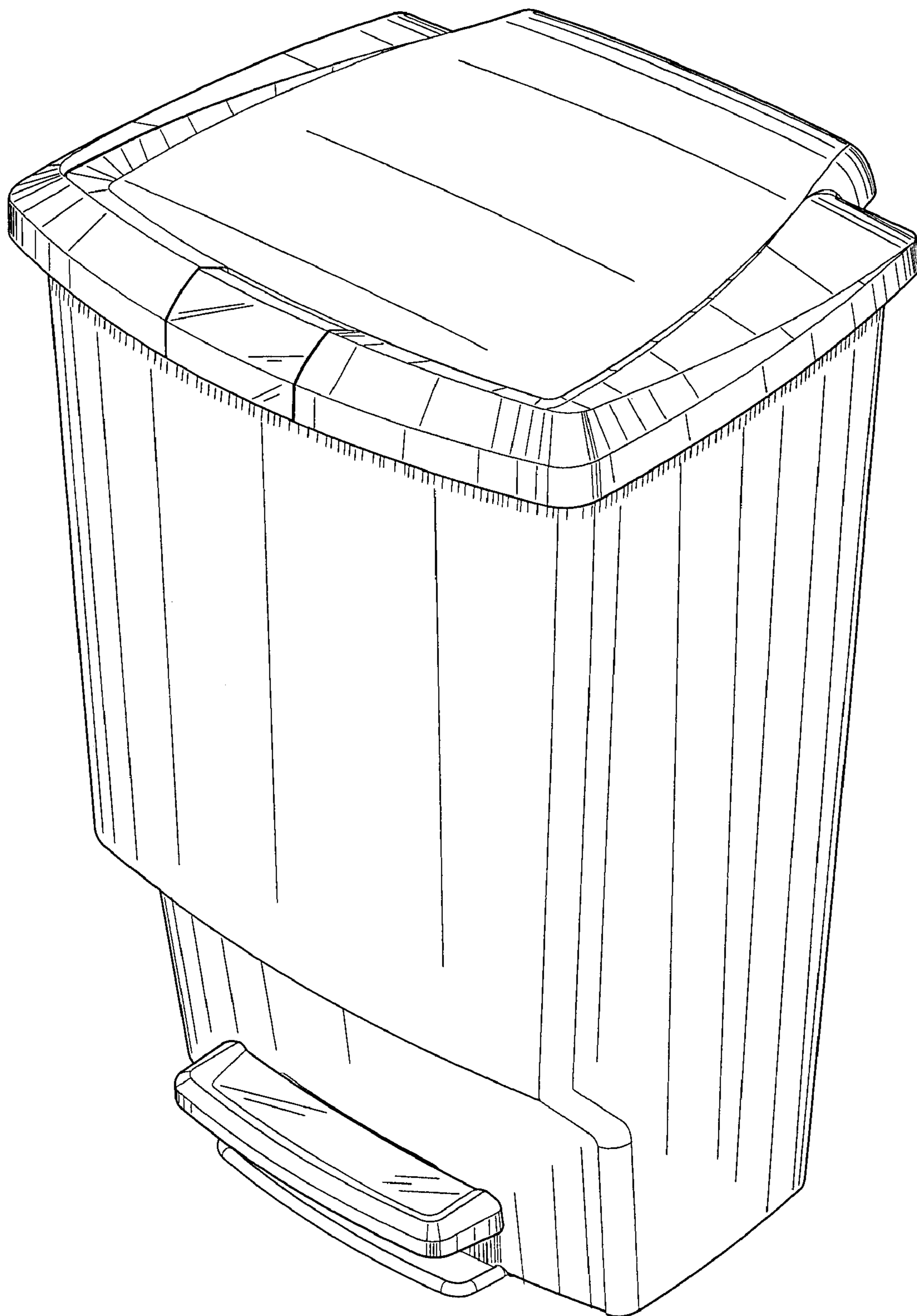


FIG. 2

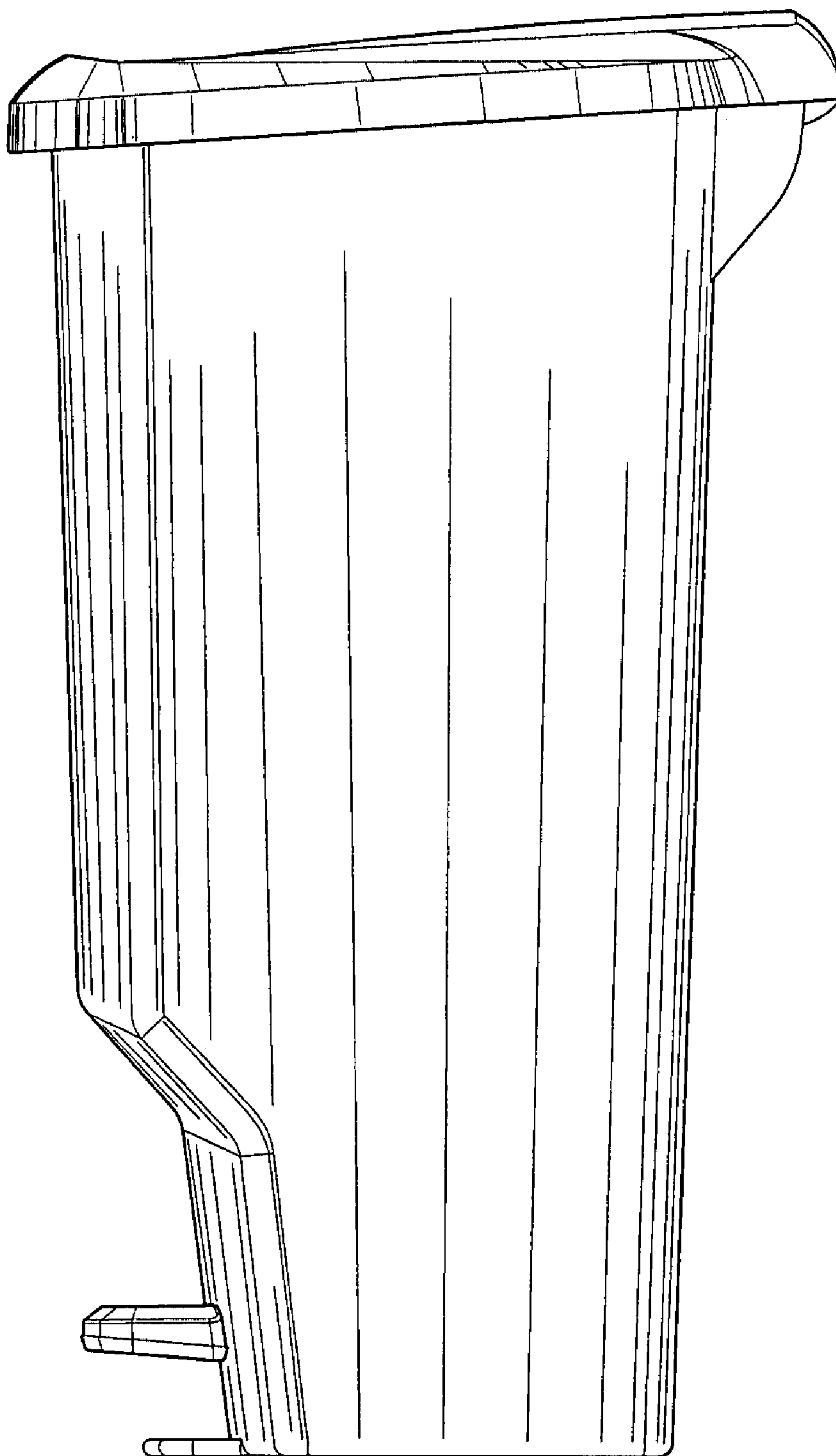


FIG. 3

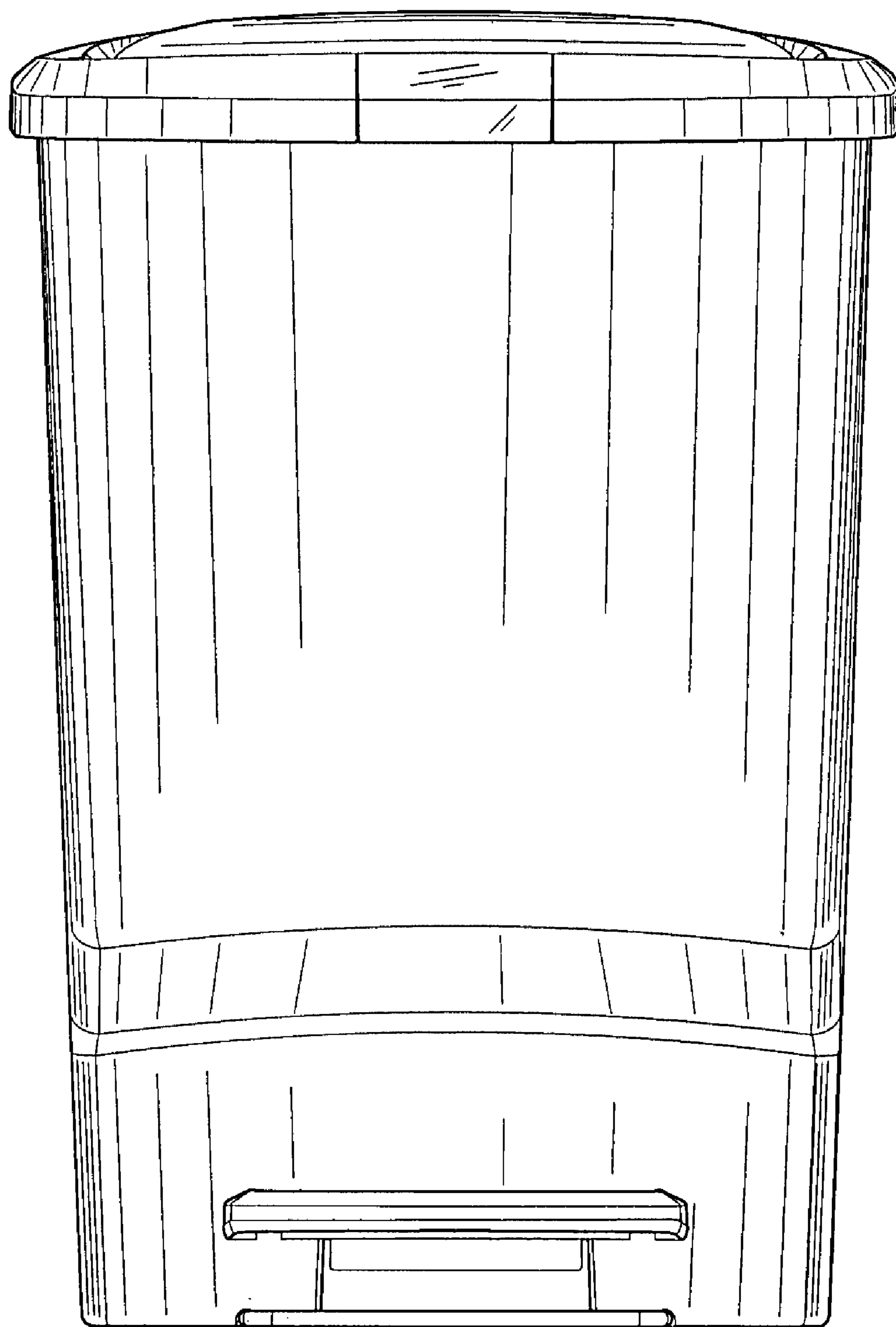


FIG. 4

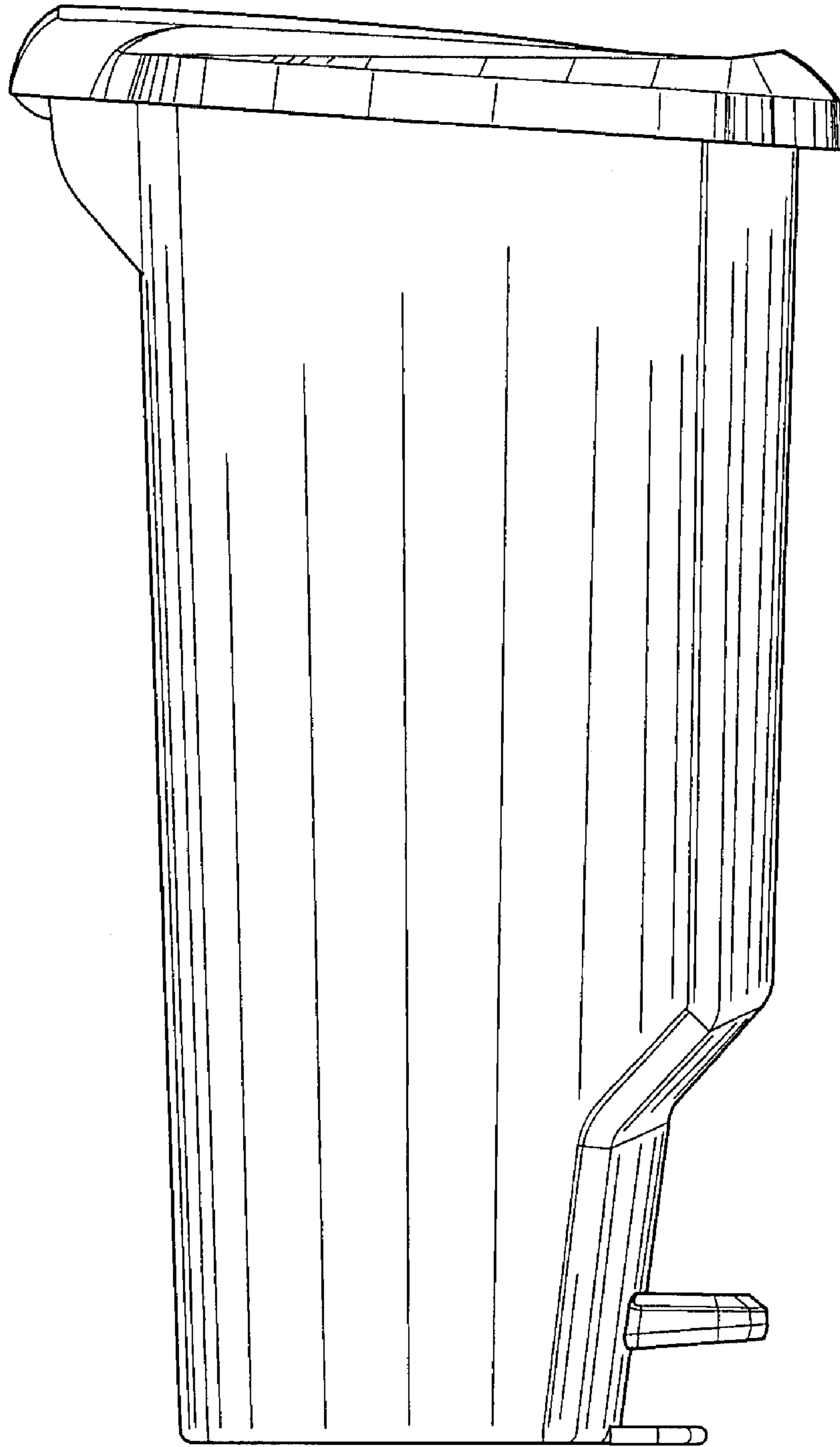


FIG. 5

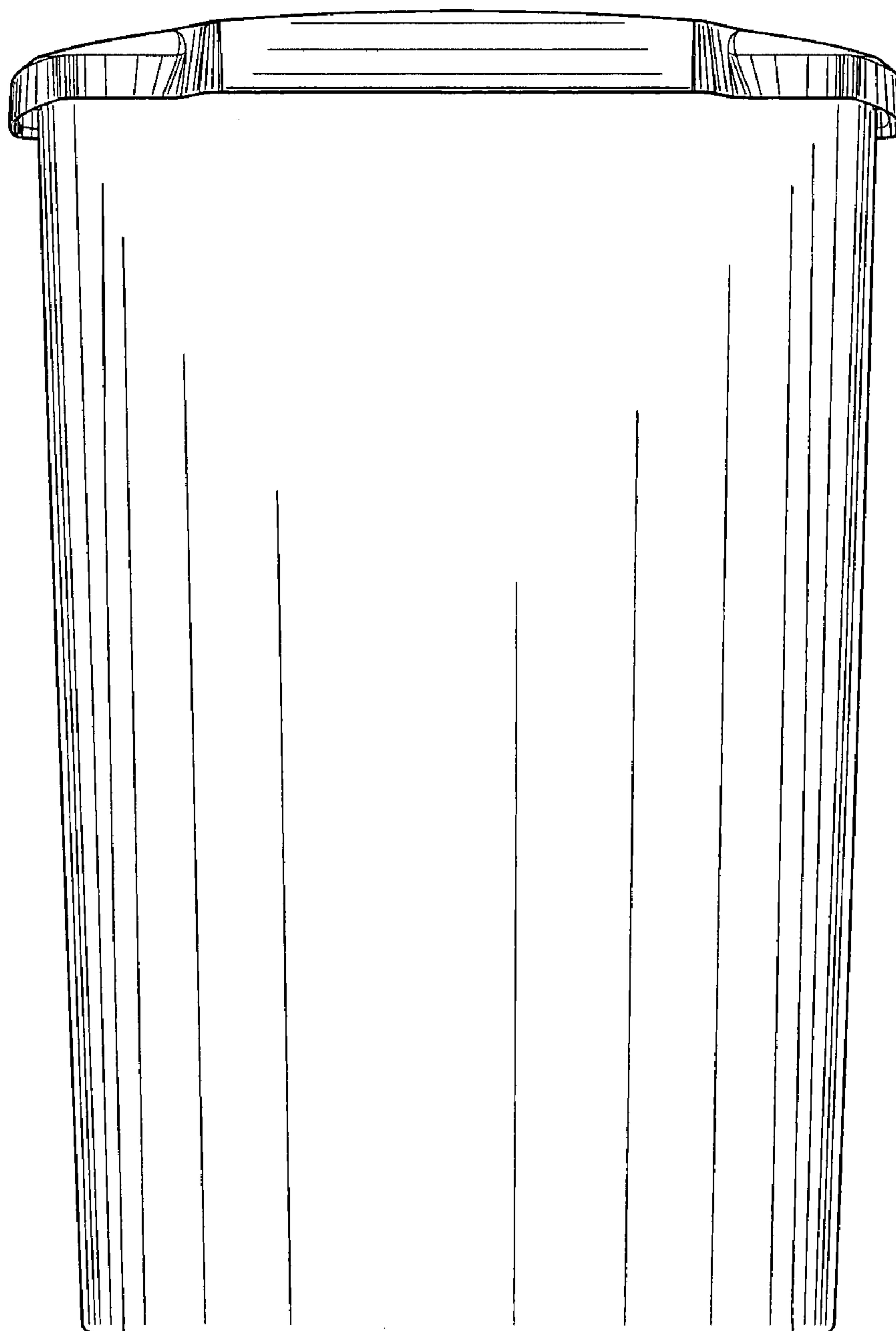


FIG. 6

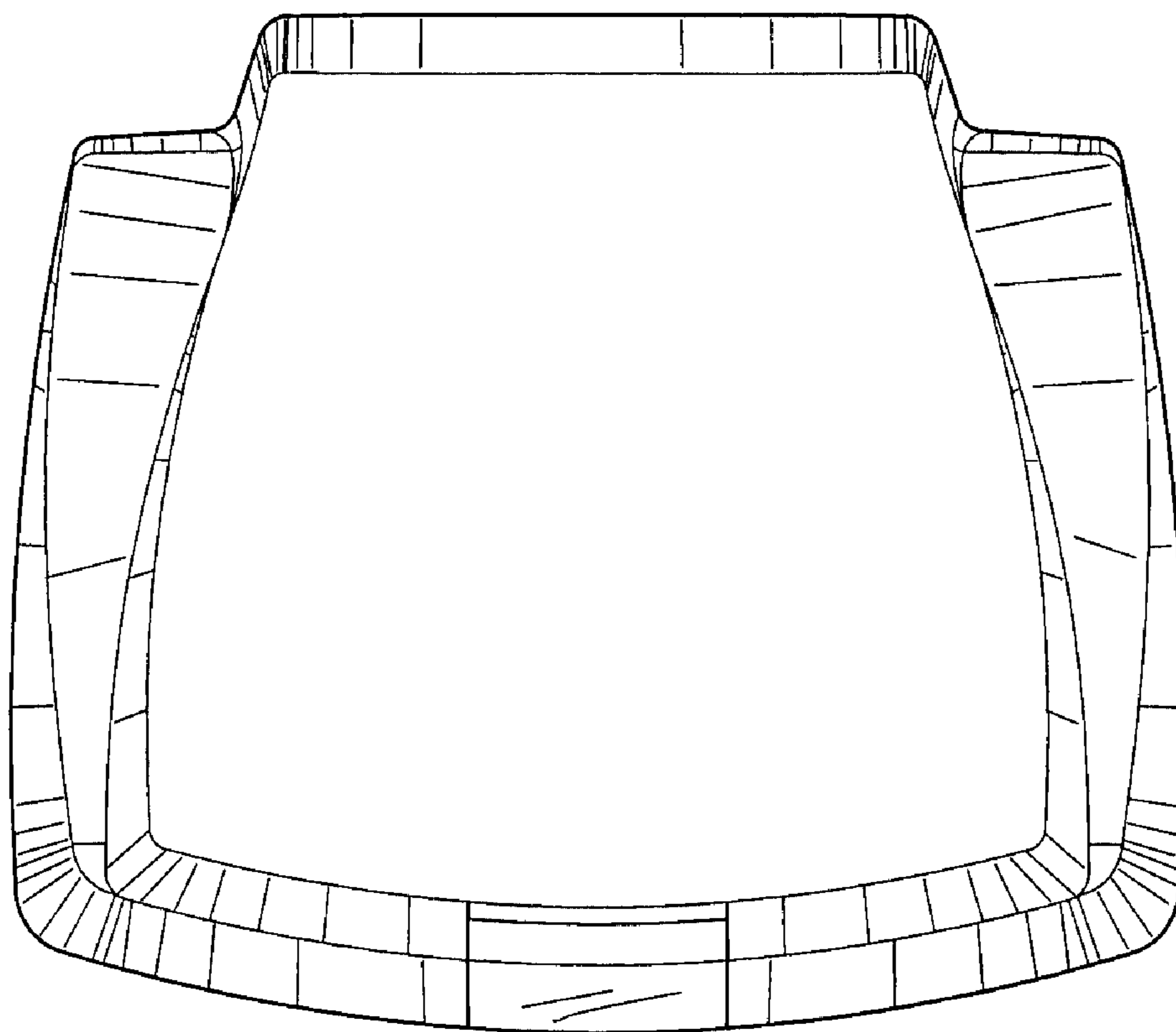


FIG. 7

