



US00D574567S

(12) **United States Design Patent**  
**Byers**

(10) **Patent No.:** **US D574,567 S**  
(45) **Date of Patent:** **\*\* Aug. 5, 2008**

- (54) **SPILL GUARD**
  - (75) Inventor: **Gary L. Byers**, Columbia Falls, MT  
(US)
  - (73) Assignee: **Lodan Properties, LLC**, Kalispell, MT  
(US)
  - (\*\*) Term: **14 Years**
  - (21) Appl. No.: **29/268,578**
  - (22) Filed: **Nov. 9, 2006**
  - (51) **LOC (8) Cl.** ..... **07-07**
  - (52) **U.S. Cl.** ..... **D32/54**
  - (58) **Field of Classification Search** ..... D32/54,  
D32/53, 53.1, 35; 248/211; D8/373; 220/697,  
220/736, 755; 224/677, 148.4–148.7; D9/443;  
D7/622; 401/15
- See application file for complete search history.

4,730,802 A	3/1988	Chatham et al.
D308,430 S *	6/1990	O'Shea ..... D32/35
5,305,977 A	4/1994	Roth
D355,287 S	2/1995	Camp, Jr.
D383,579 S	9/1997	Samson
5,727,649 A	3/1998	Buckley
5,826,844 A	10/1998	Purdy
5,842,253 A	12/1998	Ahl et al.
5,855,346 A	1/1999	Hall
D415,597 S *	10/1999	Neff ..... D32/54
6,019,241 A	2/2000	Burns
6,089,351 A	7/2000	Ahl et al.
6,148,958 A	11/2000	Ahl et al.
D444,604 S	7/2001	Hoffert et al.
6,338,459 B1	1/2002	Biggs
6,382,354 B2	5/2002	Ahl et al.
6,431,392 B1	8/2002	Eisenbeisz
D470,634 S	2/2003	Rajdl
6,513,626 B2	2/2003	MacSweeney et al.
6,604,721 B2	8/2003	Ahl et al.
6,622,340 B2 *	9/2003	Rosa ..... 15/257.06
D524,501 S	7/2006	Prokop et al.
7,083,044 B1	8/2006	Kilian et al.

(56) **References Cited**

U.S. PATENT DOCUMENTS

802,861 A	10/1905	Hetherington
2,453,189 A	11/1948	Bogut
2,645,443 A	7/1953	Pelletier
2,674,427 A	4/1954	Woodward et al.
2,798,239 A *	7/1957	Freund ..... 401/15
D182,857 S *	5/1958	Showers ..... D32/53.1
2,837,306 A	6/1958	Elm
D183,539 S *	9/1958	Mundy ..... D32/54
2,855,170 A	10/1958	Spinello
3,052,442 A	9/1962	Rankin, Jr.
3,227,411 A	1/1966	Treutler
3,357,668 A	12/1967	Carrel
3,458,165 A	7/1969	Crow
3,593,951 A	7/1971	Warner et al.
3,603,548 A	9/1971	Meyer, III
3,661,351 A	5/1972	Olsen
3,822,847 A	7/1974	Emmons
3,837,035 A *	9/1974	Habostad ..... 15/257.06
4,009,802 A *	3/1977	Hayduchok ..... 222/108
4,527,763 A	7/1985	Woytowich
4,706,918 A	11/1987	Wilson

\* cited by examiner

*Primary Examiner*—Cathron Brooks  
*Assistant Examiner*—Kevin K Rudzinski  
(74) *Attorney, Agent, or Firm*—Carl G. Dowrey

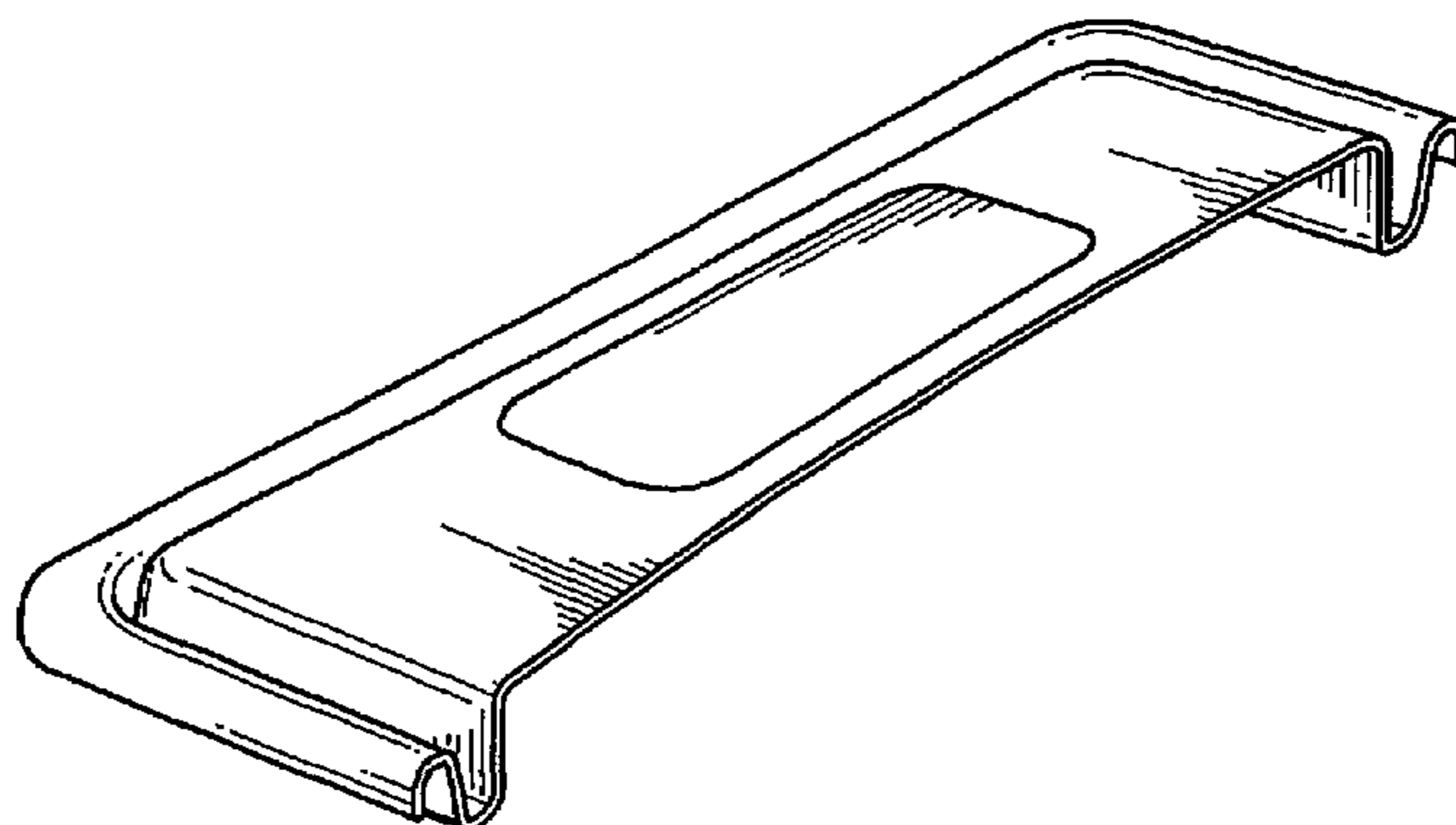
(57) **CLAIM**

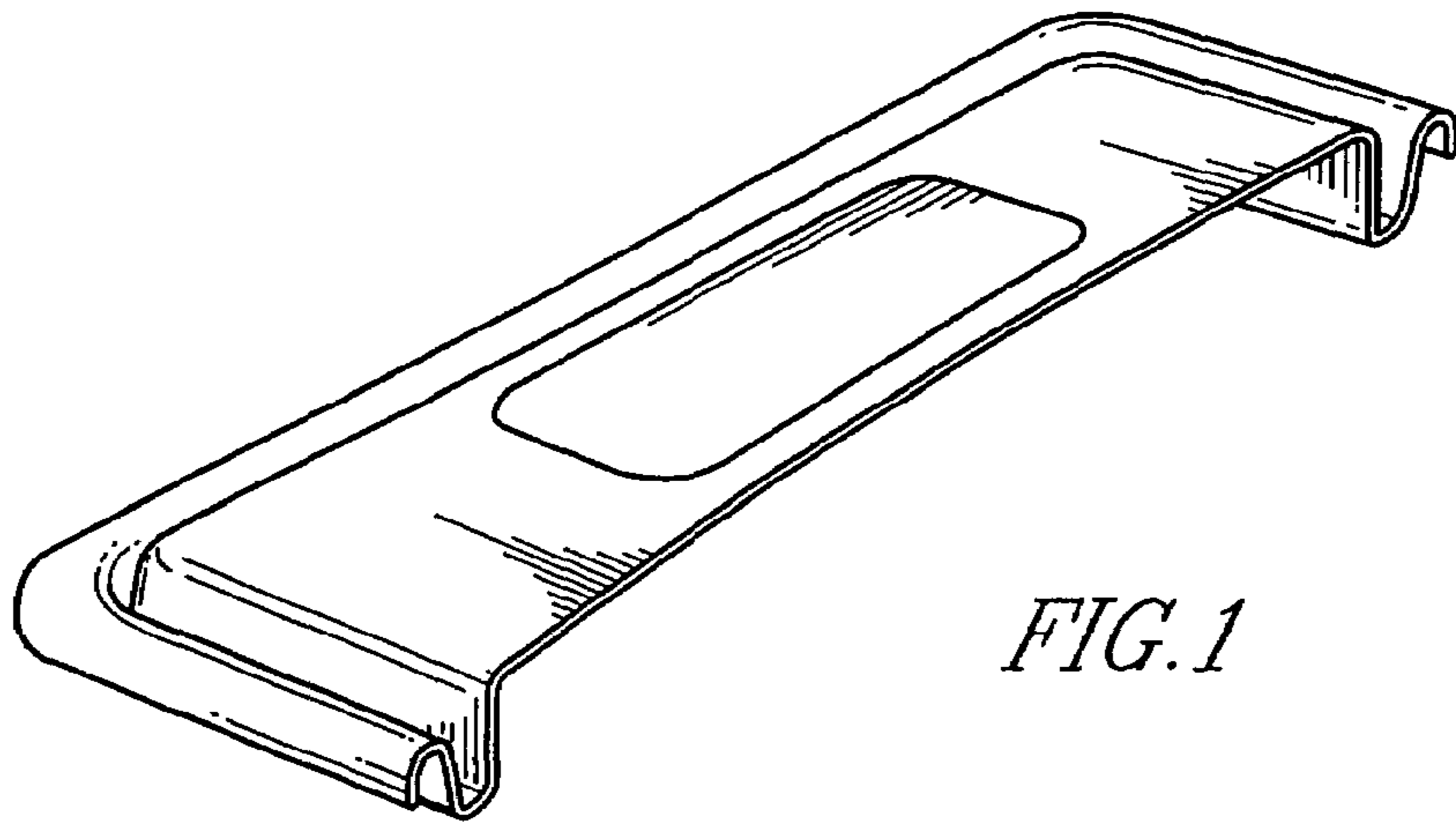
The ornamental design for a spill guard, as shown.

**DESCRIPTION**

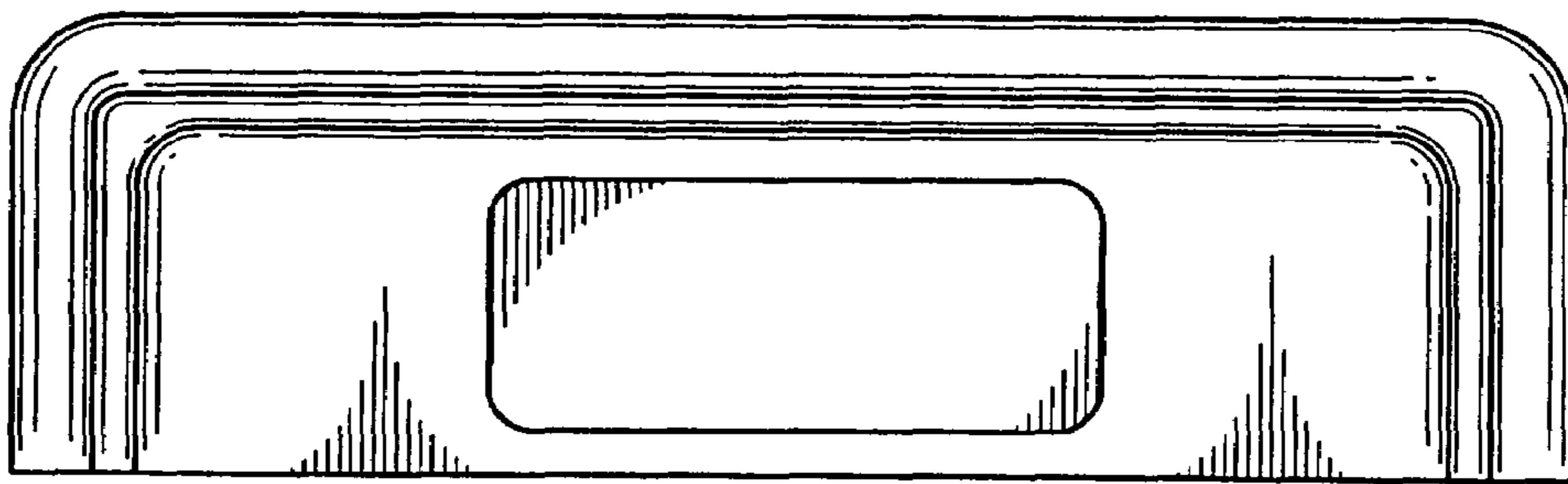
FIG. 1 is a perspective view of the spill guard;  
FIG. 2 is a top plan view of the spill guard;  
FIG. 3 is a front elevational view of the spill guard;  
FIG. 4 is a bottom plan view of the spill guard;  
FIG. 5 is a rear elevational view of the spill guard;  
FIG. 6 is a left side elevational view of the spill guard; and,  
FIG. 7 is a right side elevational view of the spill guard.

**1 Claim, 2 Drawing Sheets**

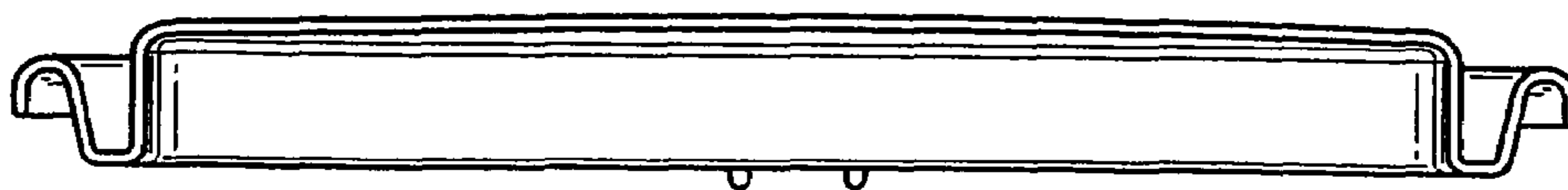




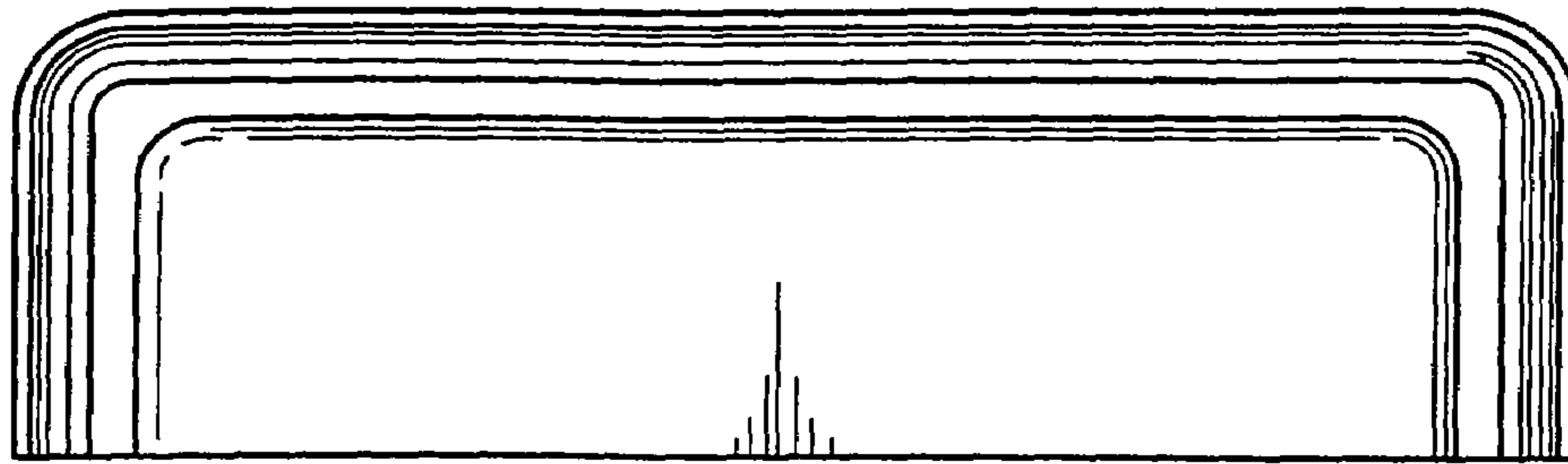
*FIG. 1*



*FIG. 2*



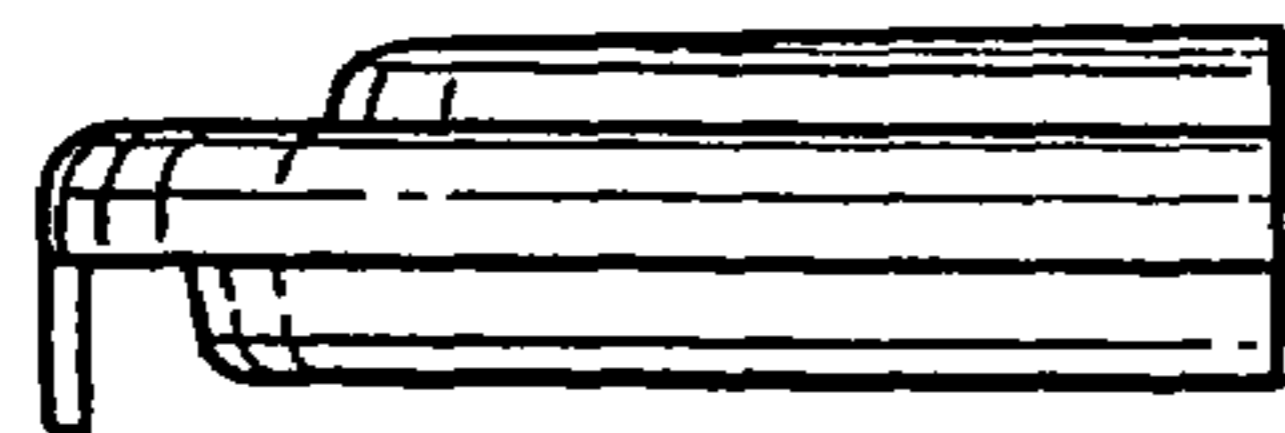
*FIG. 3*



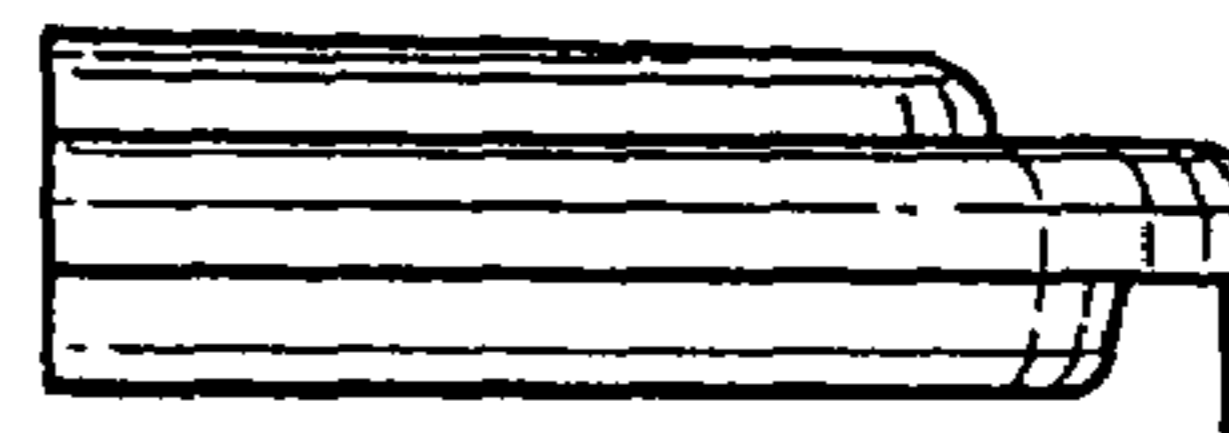
*FIG. 4*



*FIG. 5*



*FIG. 6*



*FIG. 7*