



US00D574565S

(12) **United States Design Patent**
Harper et al.

(10) **Patent No.:** **US D574,565 S**
(45) **Date of Patent:** **** Aug. 5, 2008**

(54) **CLEANING IMPLEMENT**

(75) Inventors: **Richard Michael Harper**, Cincinnati, OH (US); **Jason Patrick Shaw**, Maineville, OH (US); **Lynn Ludwig Lindley**, Cincinnati, OH (US); **Glenn Allen Bradbury**, Mason, OH (US); **Leonard Lik-Hang Tse**, West Chester, OH (US); **Patricia Ann Yuellig**, Taylor Mill, KY (US); **John Philip Stoddard**, Ben Lomond, CA (US); **Pontus Kaj Bjorn Wahlgren**, London (GB); **Anthony Piazza**, Palo Alto, CA (US); **Paul Joseph Silberschatz**, San Francisco, CA (US); **Margrethe Elizabeth Koshland**, San Francisco, CA (US)

(73) Assignee: **The Procter & Gamble Company**, Cincinnati, OH (US)

(**) Term: **14 Years**

(21) Appl. No.: **29/242,656**

(22) Filed: **Nov. 14, 2005**

(51) **LOC (8) Cl.** **04-01**

(52) **U.S. Cl.** **D32/50**

(58) **Field of Classification Search** D32/38,
D32/40, 45, 50-1; 15/143.1, 147.1, 147.2,
15/209.1, 210.1, 231, 233, 244.1, 244.3
See application file for complete search history.

(56) **References Cited**

U.S. PATENT DOCUMENTS

1,694,983 A * 12/1928 Schaedel 15/210.1
2,163,638 A * 6/1939 Vaughn 15/244.1
D144,222 S * 3/1946 Snyder et al. D32/38
D154,297 S * 6/1949 Mock et al. D32/38

2,636,204 A * 4/1953 Soss 15/231
D249,821 S * 10/1978 Cooke et al. D32/50
D287,173 S * 12/1986 Libman D32/51
D358,238 S * 5/1995 Barnett D32/50
5,426,809 A * 6/1995 Muta 15/231
D391,715 S * 3/1998 Irwin et al. D32/50
5,960,508 A * 10/1999 Holt et al. 15/209.1
D458,427 S * 6/2002 Kunkler et al. D32/45
D563,068 S * 2/2008 Jiang et al. D32/50

* cited by examiner

Primary Examiner—Cathron Brooks

Assistant Examiner—Karen E Kearney

(74) *Attorney, Agent, or Firm*—Larry L. Huston; Mark A. Charles; Kim William Zerby

(57) **CLAIM**

The ornamental design for a cleaning implement, as shown and described.

DESCRIPTION

FIG. 1 is a perspective view of a cleaning implement, embodying the new design;

FIG. 2 is a front view of the cleaning implement of FIG. 1;

FIG. 3 is a back view of the cleaning implement of FIG. 1;

FIG. 4 is a left side view of the cleaning implement of FIG. 1;

FIG. 5 is a right side view of the cleaning implement of FIG. 1;

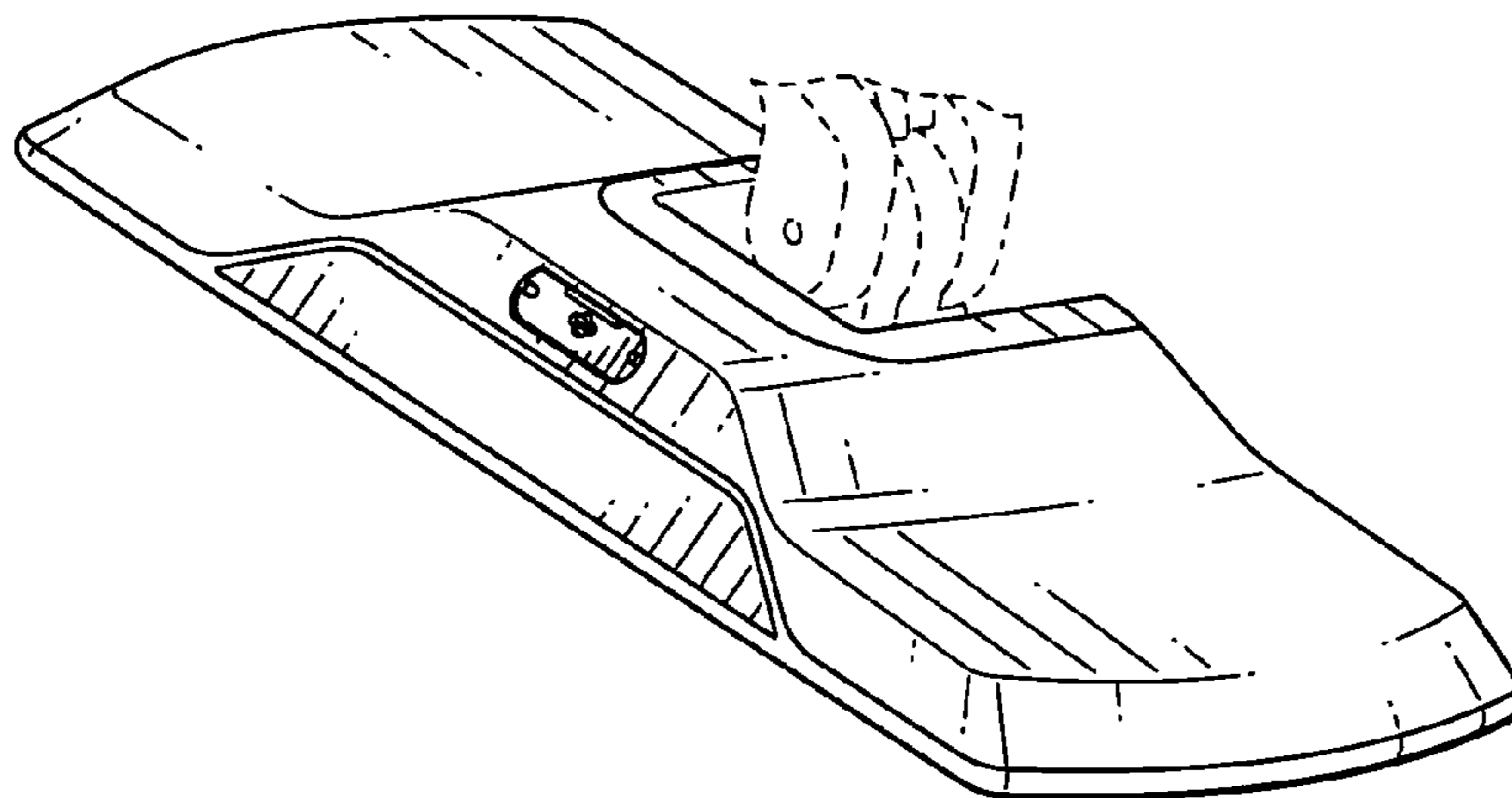
FIG. 6 is a top view of the cleaning implement of FIG. 1;

FIG. 7 is a bottom view of the cleaning implement of FIG. 1; and,

FIG. 8 is a perspective view of a mop head of the cleaning implement of FIG. 1.

The broken lines shown in the drawings are for illustrative purposes only and form no part of the claimed design.

1 Claim, 5 Drawing Sheets



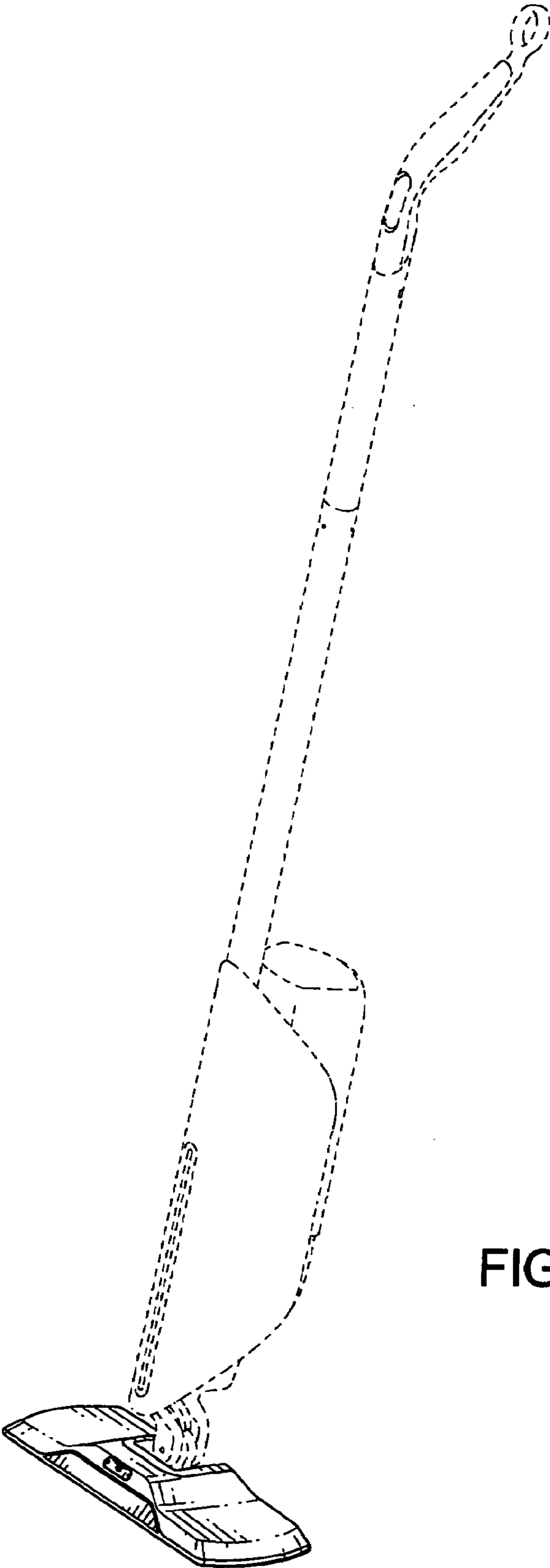


FIG. 1

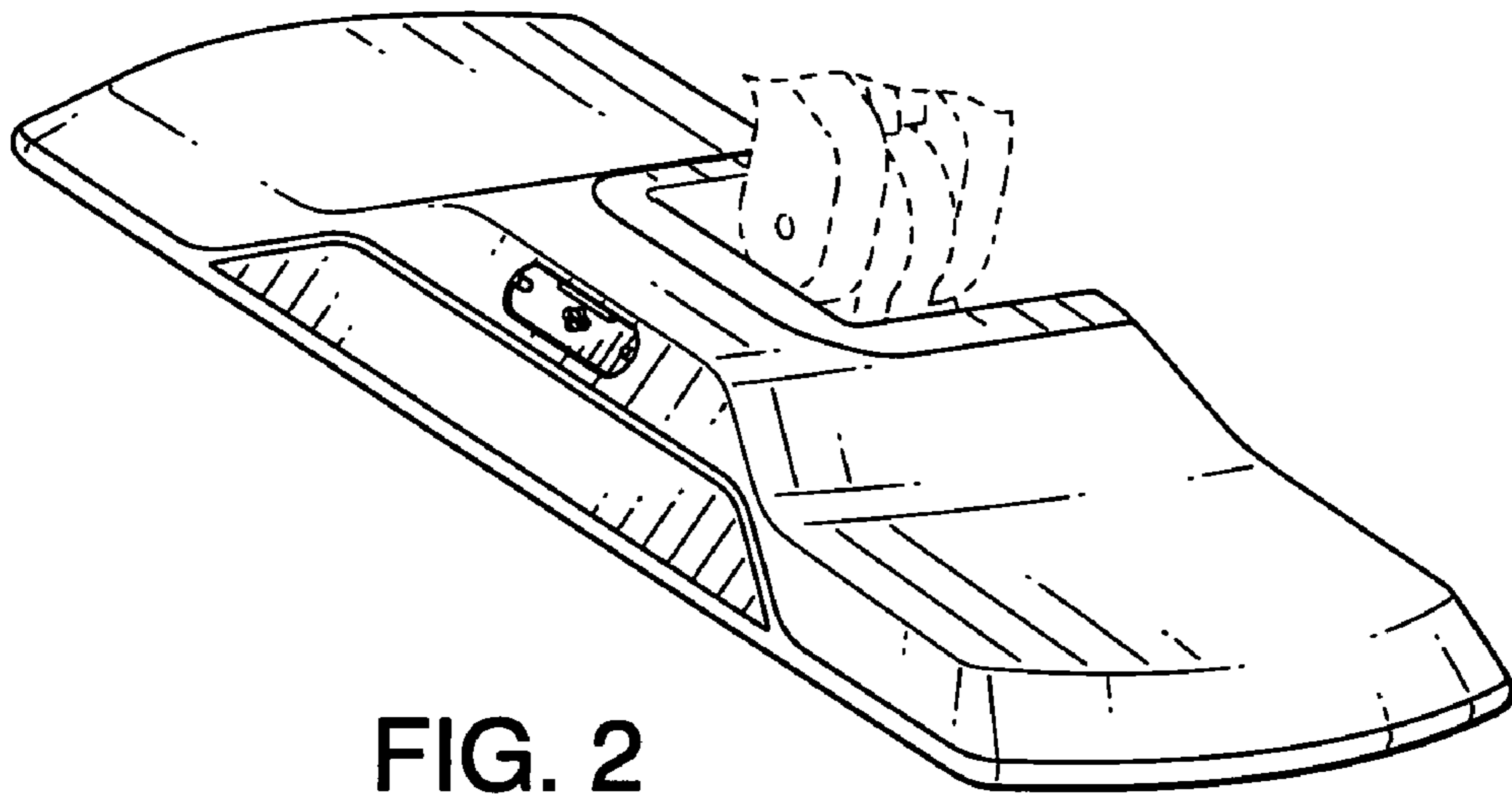


FIG. 2

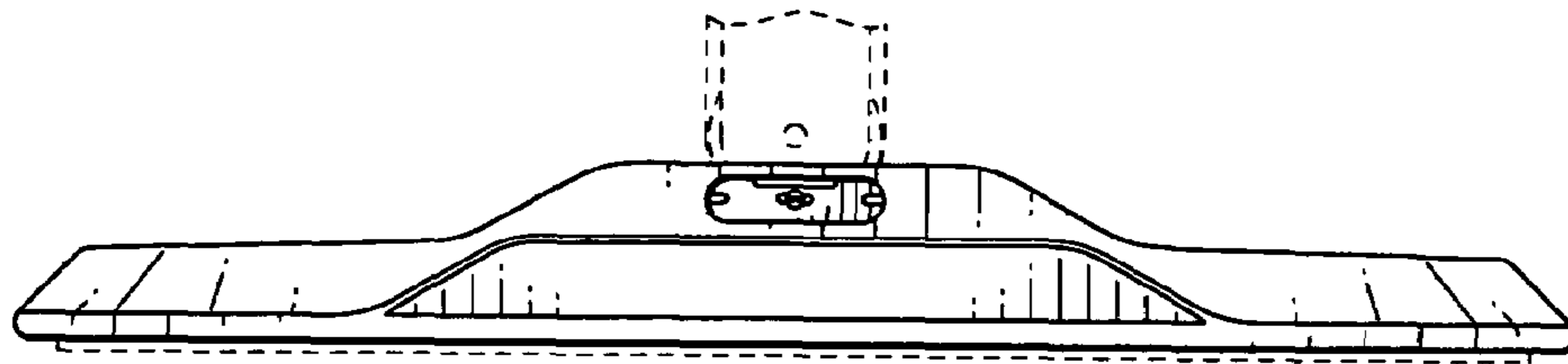


FIG. 3

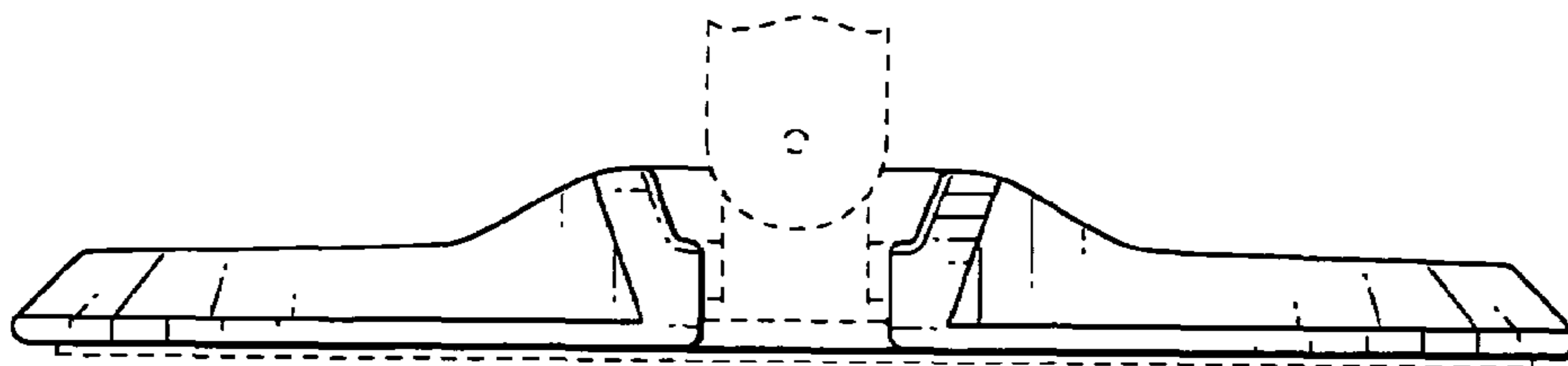


FIG. 4

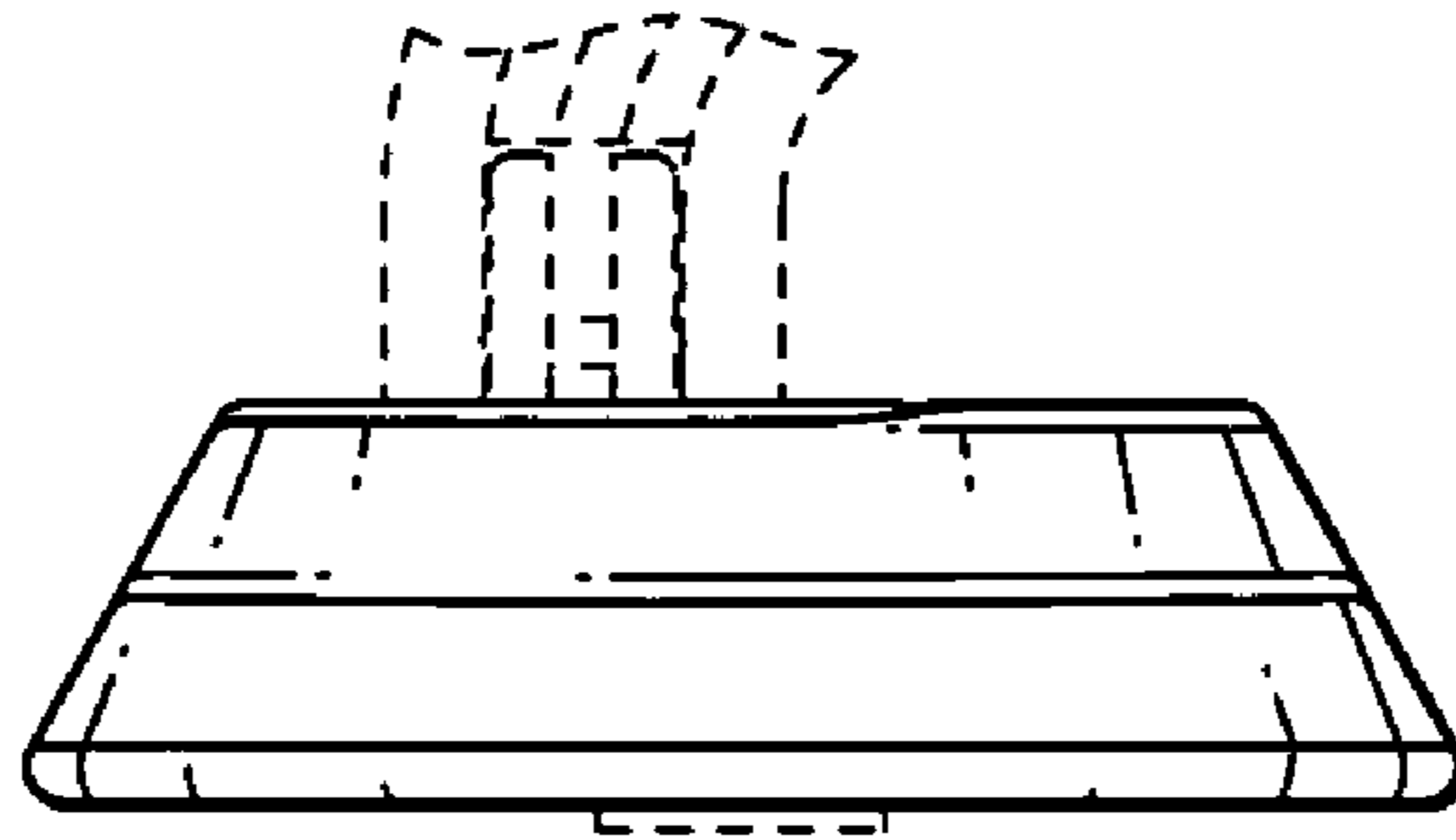


FIG. 5

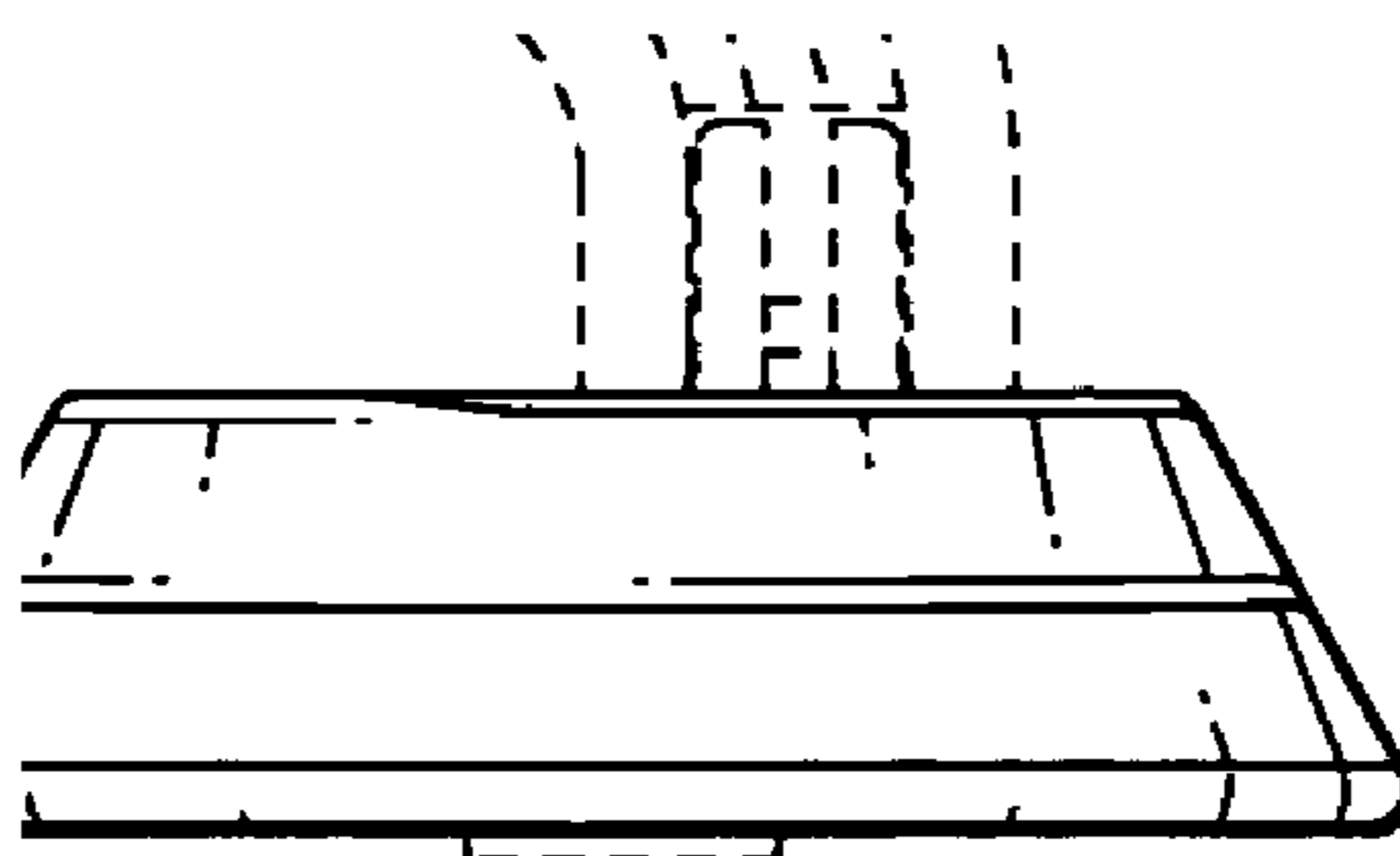


FIG. 6

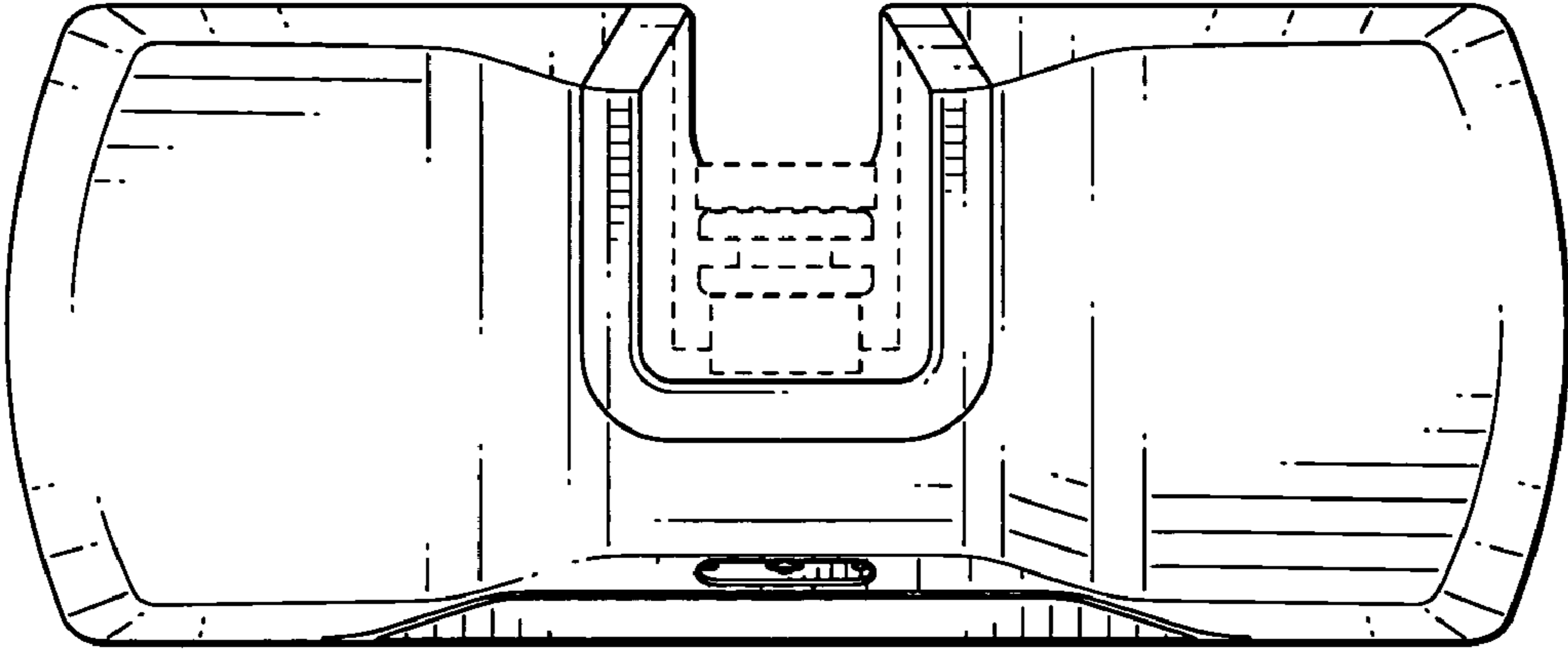


FIG. 7

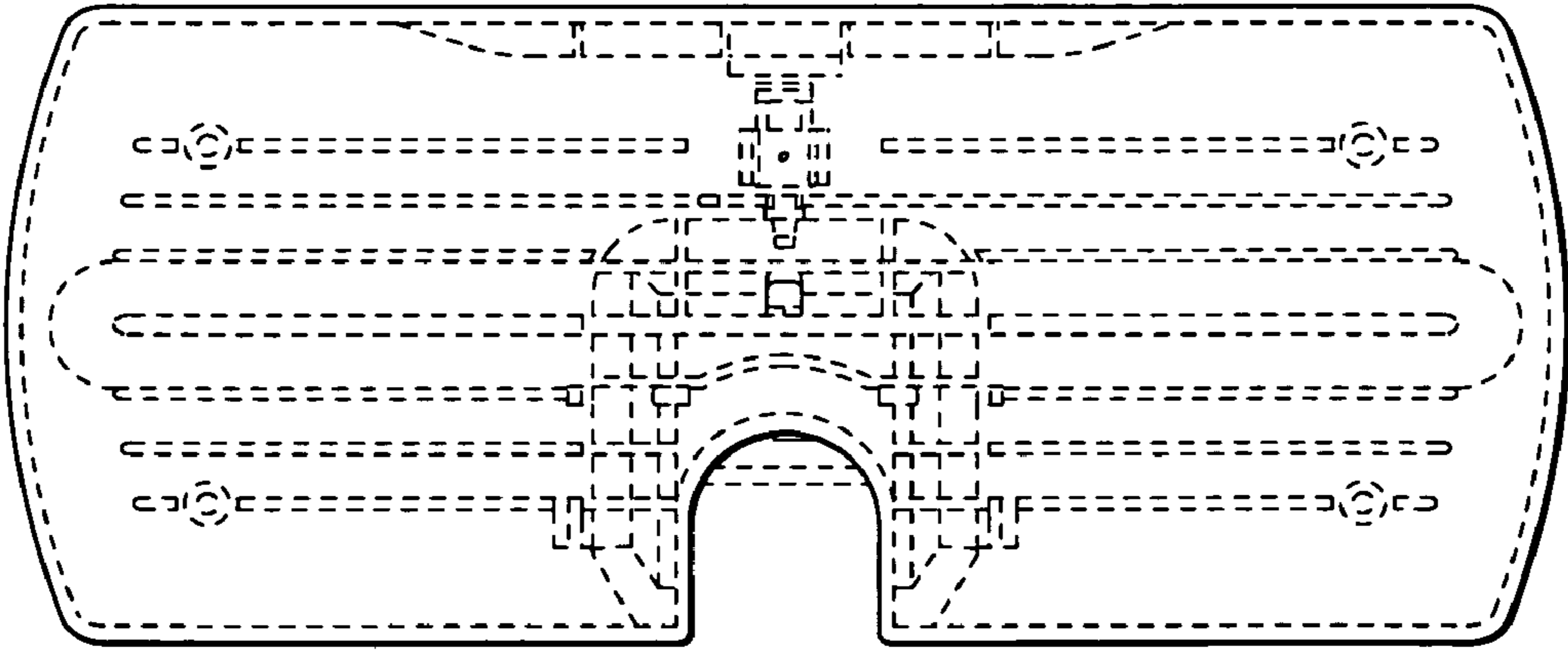


FIG. 8