



US00D574564S

(12) **United States Design Patent**  
**Conrad et al.**

(10) **Patent No.:** **US D574,564 S**

(45) **Date of Patent:** **\*\* Aug. 5, 2008**

(54) **VACUUM CLEANER**

D534,324 S \* 12/2006 Dyson et al. .... D32/22

\* cited by examiner

(75) Inventors: **Wayne Ernest Conrad**, Hampton (CA);  
**Nina Kanevsky Conrad**, Hampton (CA)

*Primary Examiner*—Ruth McInroy

(73) Assignee: **G.B.D. Corp.**, Nassau (BS)

(74) *Attorney, Agent, or Firm*—Philip C. Mendes da Costa;  
Bereskin & Parr

(\*\*) Term: **14 Years**

(57) **CLAIM**

(21) Appl. No.: **29/282,655**

The ornamental design for a vacuum cleaner, as shown and described.

(22) Filed: **Jul. 26, 2007**

(30) **Foreign Application Priority Data**

Jul. 16, 2007 (CA) ..... 121442

(51) **LOC (8) Cl.** ..... **15-05**

(52) **U.S. Cl.** ..... **D32/31**

(58) **Field of Classification Search** ..... D32/17,  
D32/18, 22, 31; 15/344, 329, 347, 350–353,  
15/361, 363, 412

See application file for complete search history.

**DESCRIPTION**

FIG. 1 is a rear elevation view of the vacuum cleaner;

FIG. 2 is a front elevation view of the vacuum cleaner of FIG. 1;

FIG. 3 is a perspective view from the front and the left side of the vacuum cleaner of FIG. 1;

FIG. 4 is a perspective view from the front and the right side of the vacuum cleaner of FIG. 1;

FIG. 5 is an elevation view of the left side of the vacuum cleaner of FIG. 1;

FIG. 6 is an elevation view of the right side of the vacuum cleaner of FIG. 1;

FIG. 7 is a top plan view of the vacuum cleaner of FIG. 1; and,

FIG. 8 is a bottom plan view of the vacuum cleaner of FIG. 1.

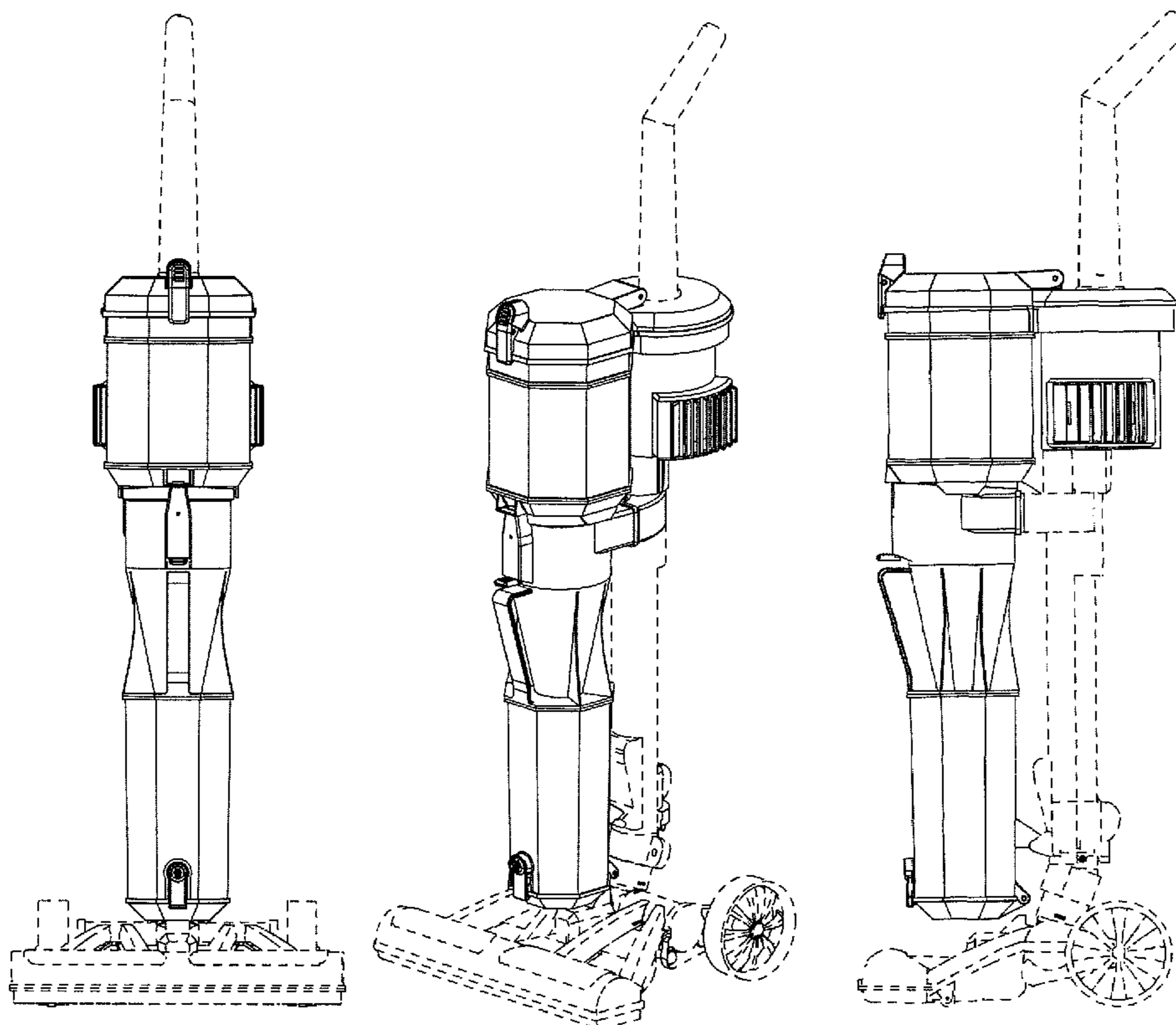
The details shown in broken lines form no part of the design.

(56) **References Cited**

**U.S. PATENT DOCUMENTS**

- D309,203 S \* 7/1990 Goodrich ..... D32/22
- D343,707 S \* 1/1994 Dyson ..... D32/22
- D475,820 S \* 6/2003 Dyson et al. .... D32/22
- D480,847 S \* 10/2003 Fujii ..... D32/22
- D481,180 S \* 10/2003 Fujii ..... D32/22
- D533,695 S \* 12/2006 Dyson et al. .... D32/22

**1 Claim, 7 Drawing Sheets**



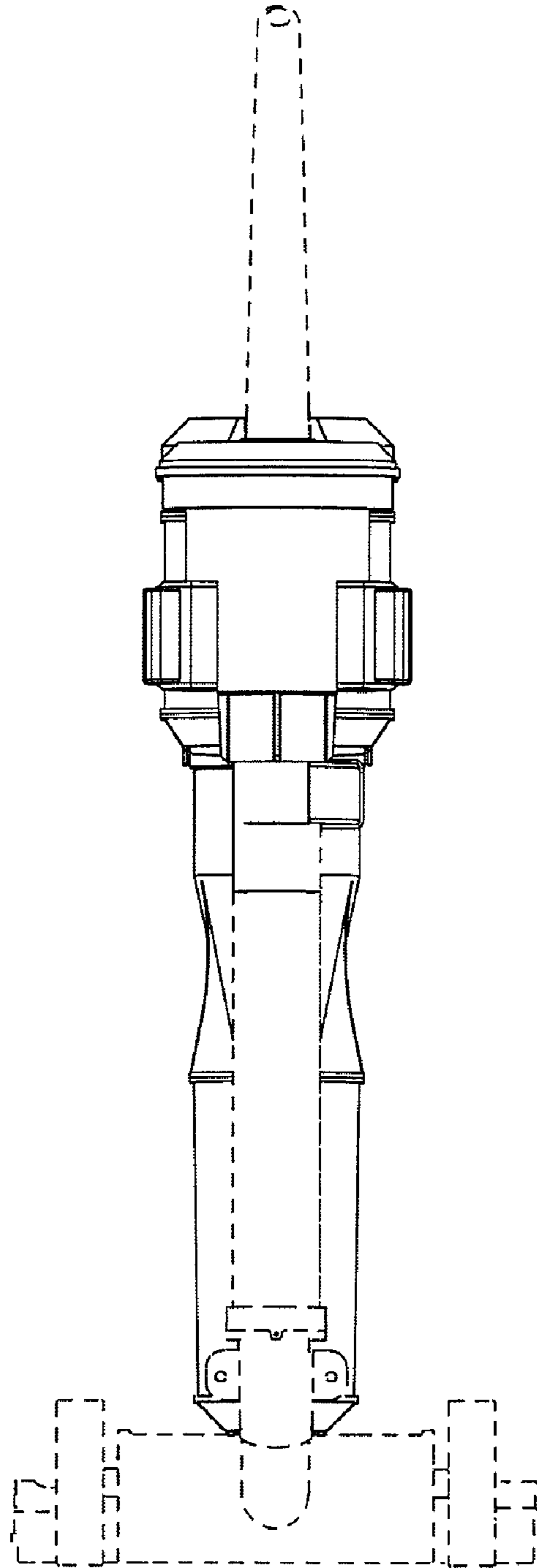


Fig. 1

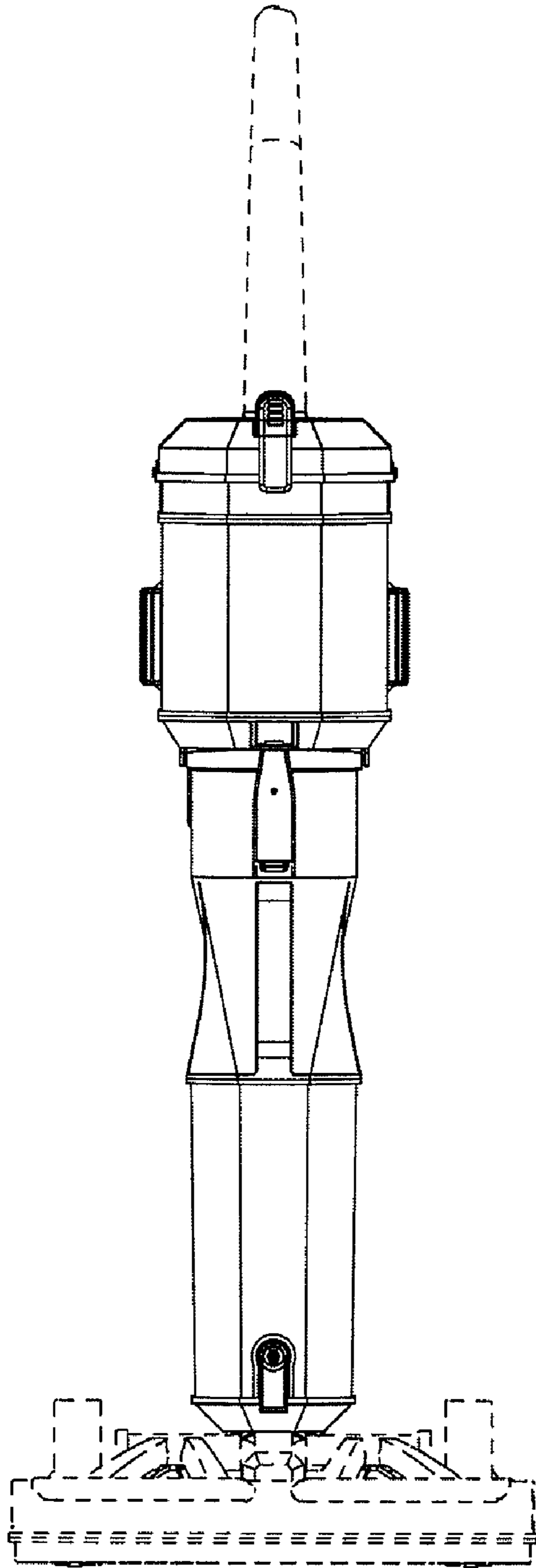


Fig. 2

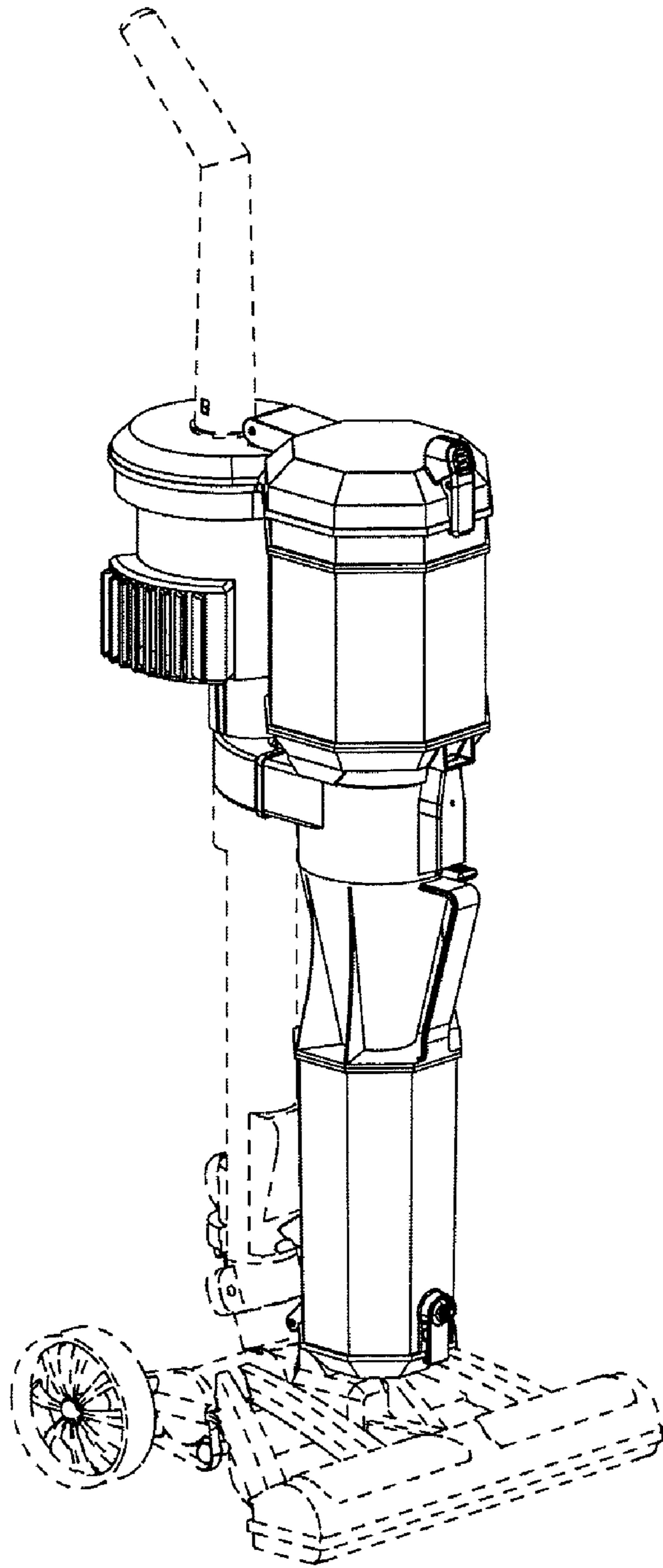


Fig. 3

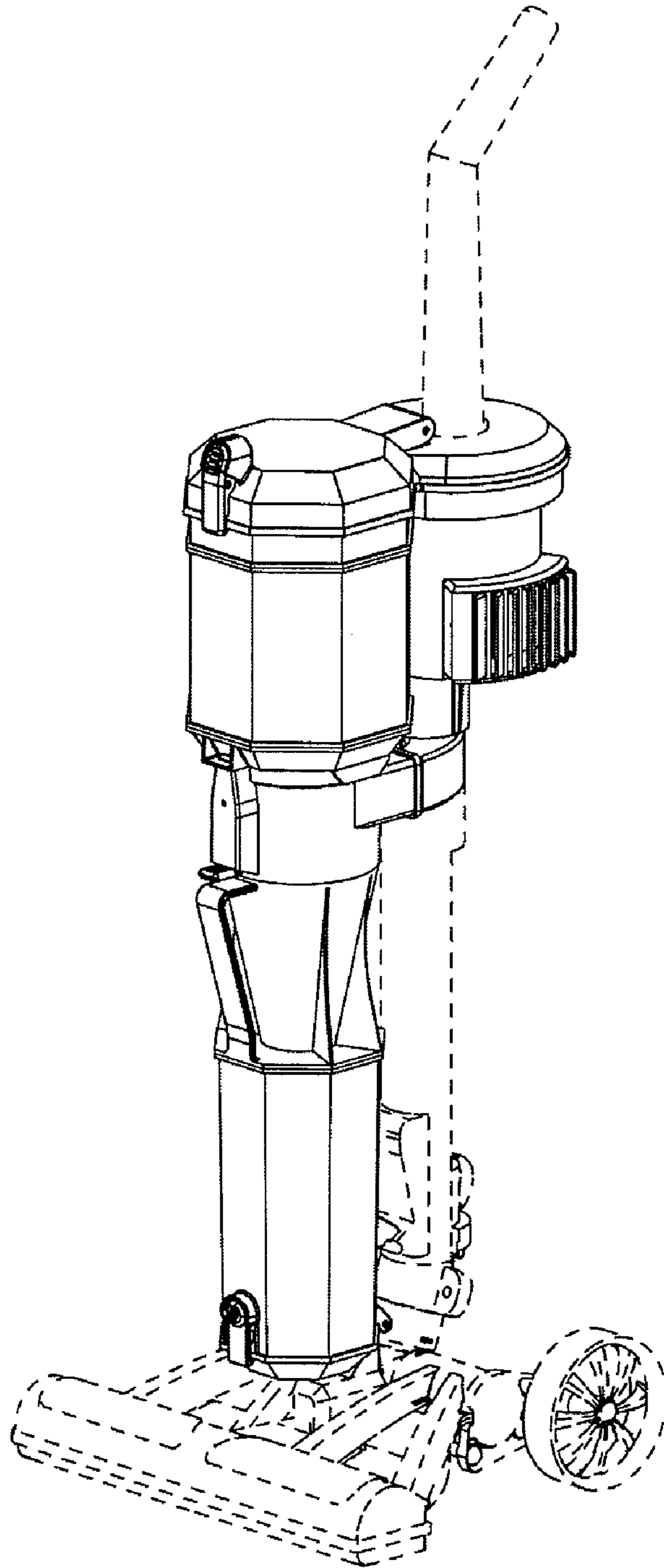


Fig. 4

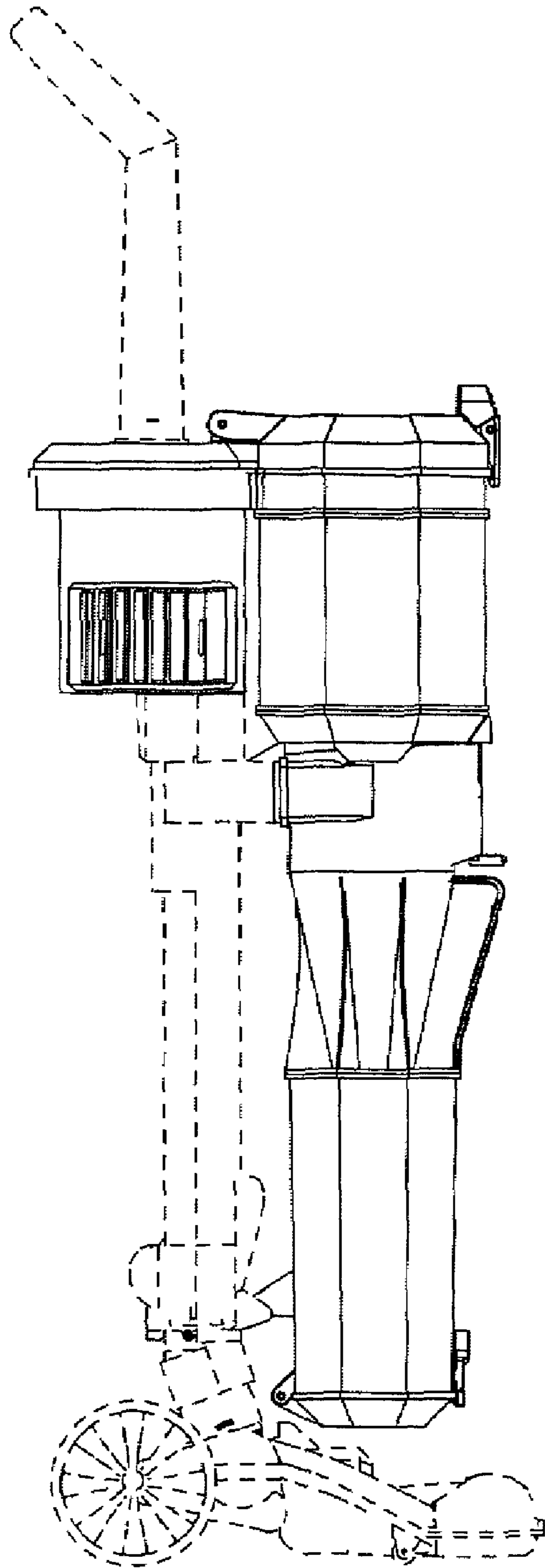


Fig. 5

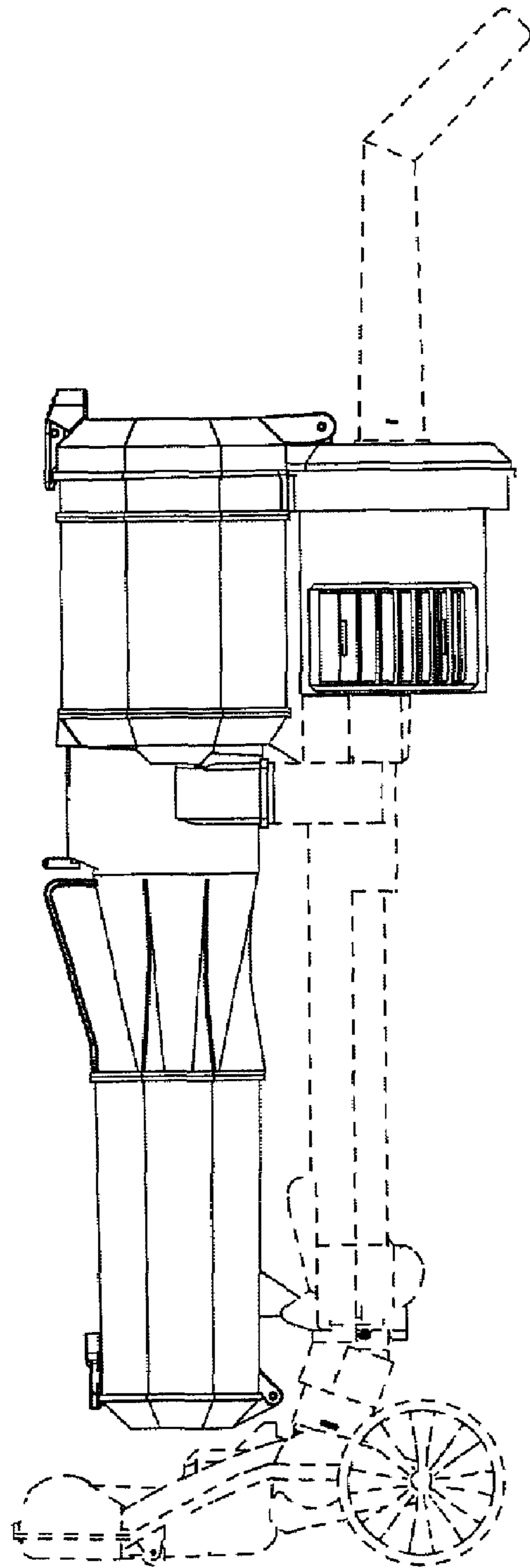


Fig. 6

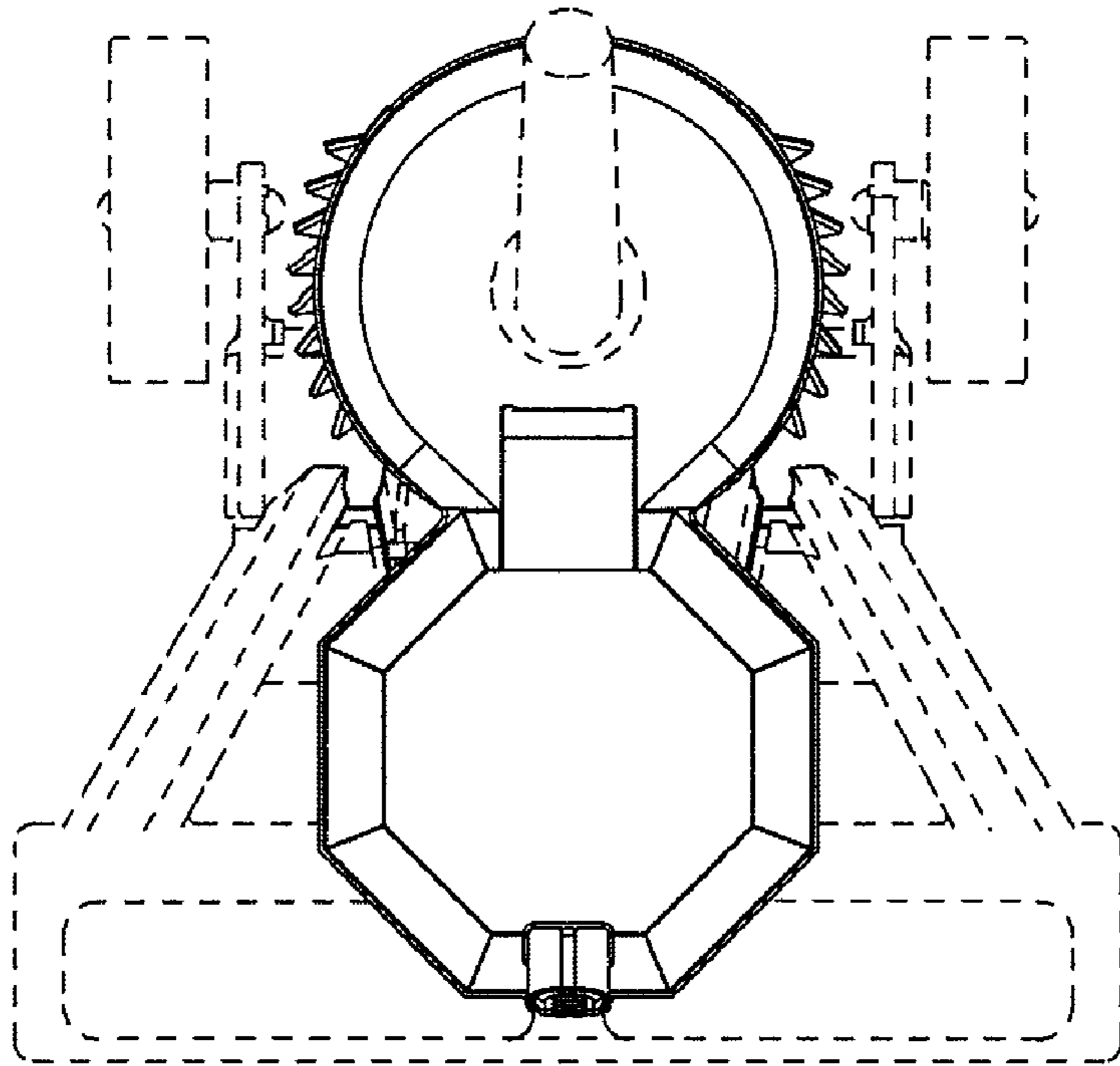


Fig. 7

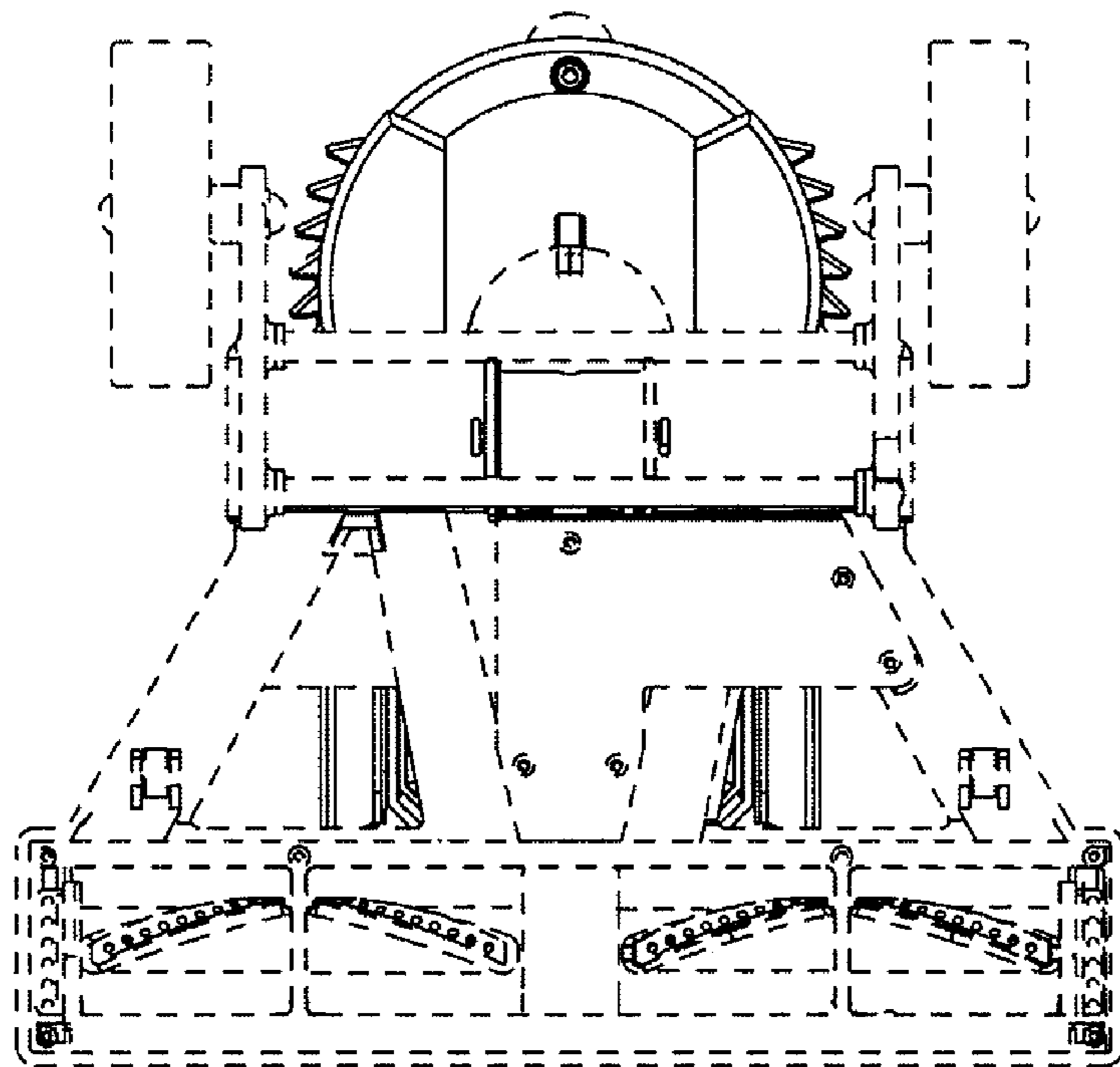


Fig. 8