



US00D574551S

(12) **United States Design Patent**
Park

(10) **Patent No.:** **US D574,551 S**

(45) **Date of Patent:** **** Aug. 5, 2008**

(54) **LENS FOR LIGHT EMITTING DIODE**

(75) Inventor: **Kwang Il Park**, Seoul (KR)

(73) Assignee: **Seoul Semiconductor Co., Ltd.**, Seoul (KR)

(**) Term: **14 Years**

(21) Appl. No.: **29/235,148**

(22) Filed: **Jul. 27, 2005**

(30) **Foreign Application Priority Data**

Feb. 2, 2005 (KR) 30-2005-0003555

(51) **LOC (8) Cl.** **26-99**

(52) **U.S. Cl.** **D26/120**

(58) **Field of Classification Search** D26/139,
D26/142, 152, 77, 76, 37, 123, 128, 120,
D26/118, 113, 138, 3, 28, 72, 124, 121, 122,
D26/75, 79, 90, 105; D13/180; 362/614,
362/611, 612, 632, 555, 516, 147, 148, 216,
362/217, 260, 291, 296, 297, 341, 346, 404,
362/407, 431, 800

See application file for complete search history.

(56) **References Cited**

U.S. PATENT DOCUMENTS

D115,970 S * 8/1939 Stewart D26/124
D137,085 S * 1/1944 Cressaty D26/124
D397,233 S * 8/1998 Bassford D26/67
D439,351 S * 3/2001 Kiba et al. D26/37

D443,377 S * 6/2001 Handsaker D26/72
6,367,949 B1 * 4/2002 Pederson 362/240
D468,051 S * 12/2002 Gaskins et al. D26/123
D470,613 S * 2/2003 Huang D26/28
D471,657 S * 3/2003 Huang D26/28
D476,426 S * 6/2003 Katase D26/3
D484,270 S * 12/2003 Yiu D26/89
6,822,269 B2 * 11/2004 Horiuchi et al. 257/99
6,840,654 B2 * 1/2005 Guerrieri et al. 362/241

* cited by examiner

Primary Examiner—Freda S. Nunn

Assistant Examiner—Kevin K Rudzinski

(74) *Attorney, Agent, or Firm*—Townsend and Townsend and Crew LLP

(57) **CLAIM**

The ornamental design for lens for light emitting diode, as shown and described.

DESCRIPTION

FIG. 1 is a perspective view of a lens for light emitting diode showing my new design;

FIG. 2 is a front elevational view thereof;

FIG. 3 is a rear elevational view thereof;

FIG. 4 is a left side elevational view thereof;

FIG. 5 is a right side elevational view thereof;

FIG. 6 is a top plan view thereof; and,

FIG. 7 is a bottom plan view thereof.

1 Claim, 3 Drawing Sheets

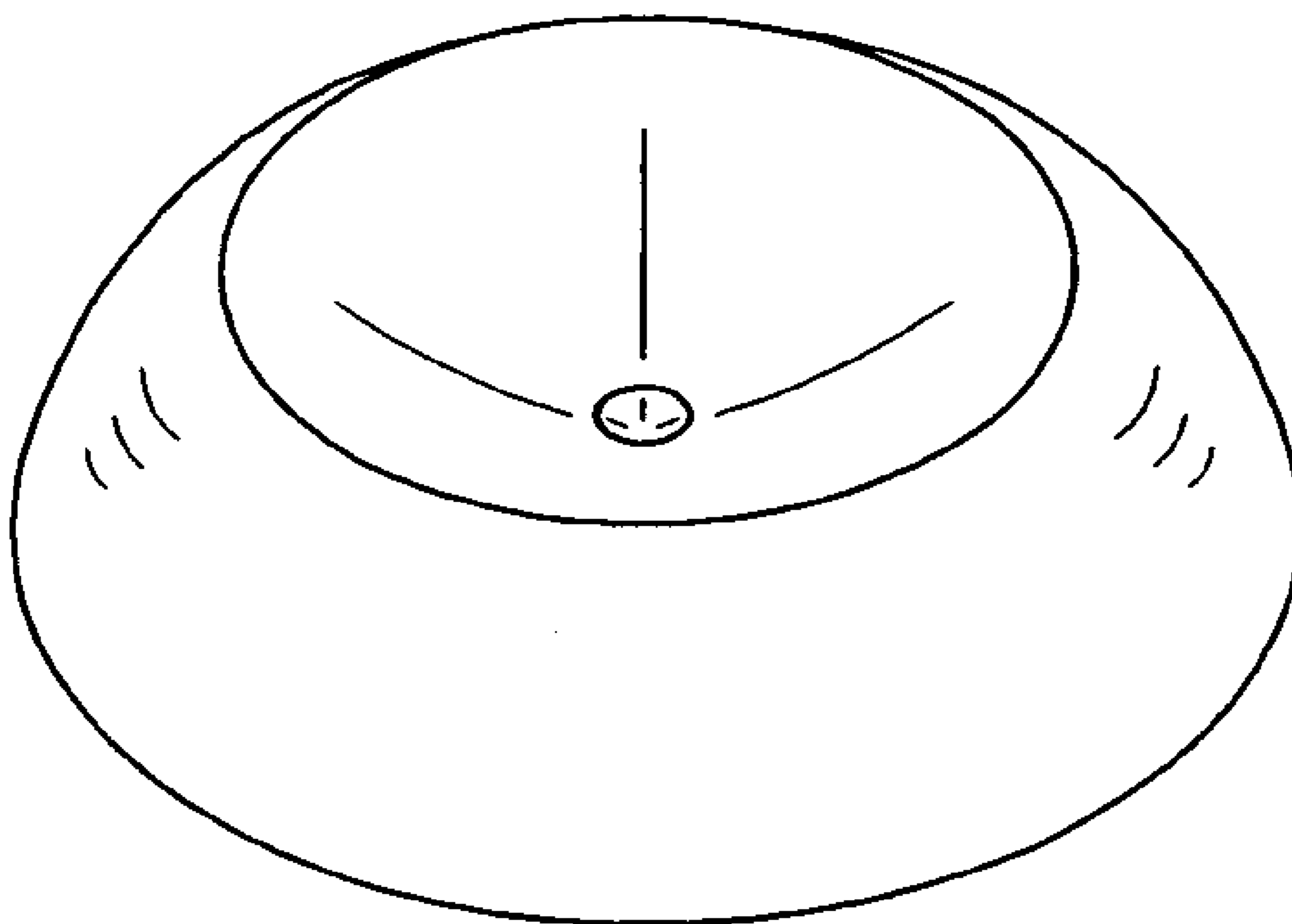


FIG 1

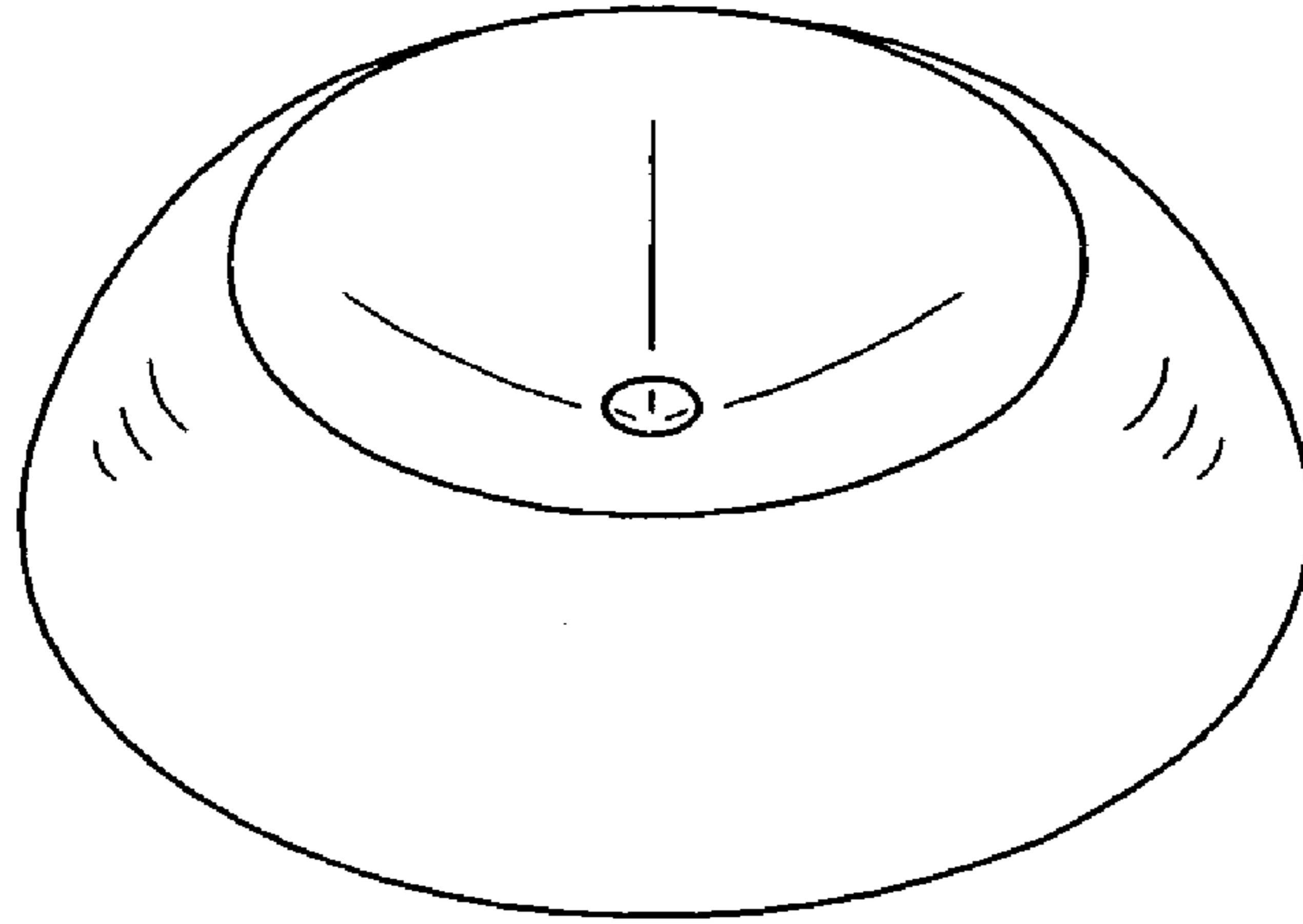


FIG 2

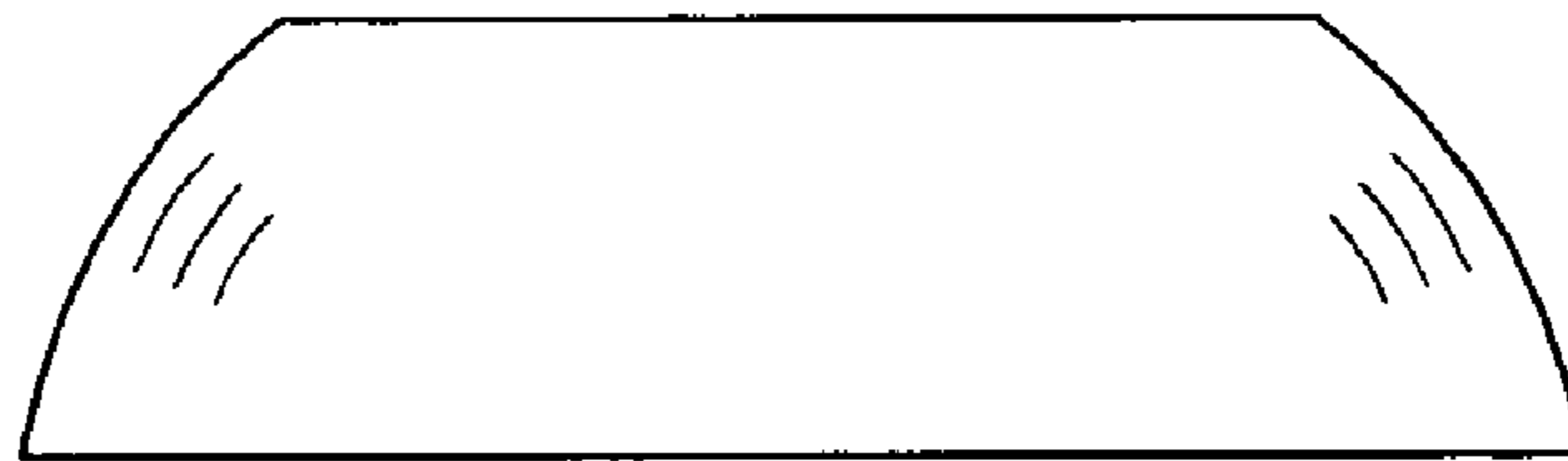


FIG 3



FIG 4

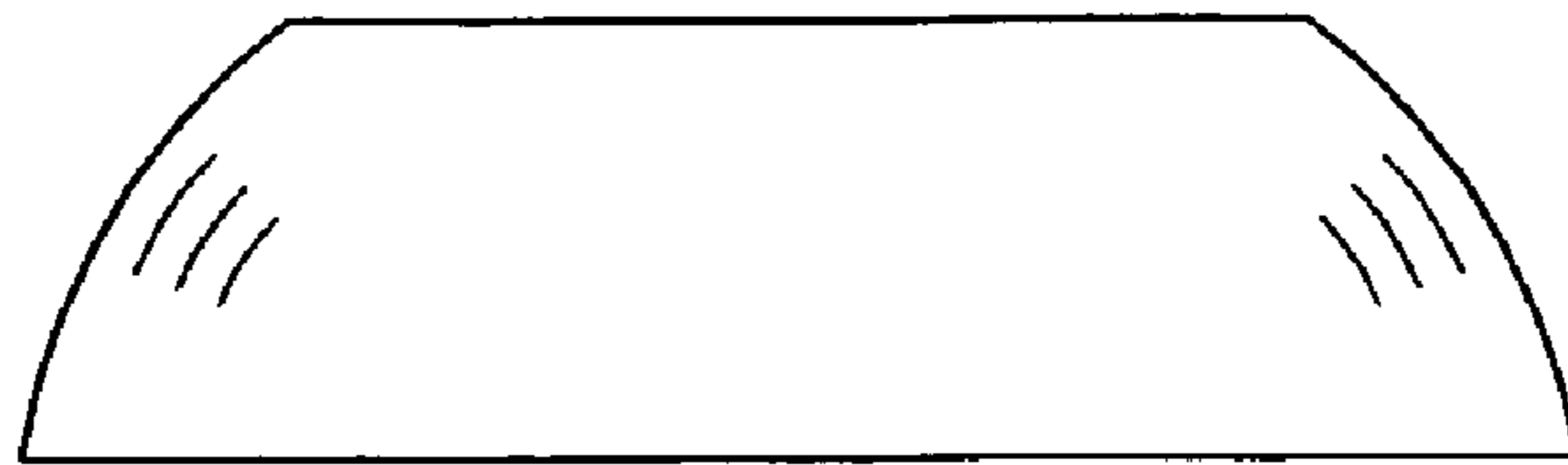


FIG 5

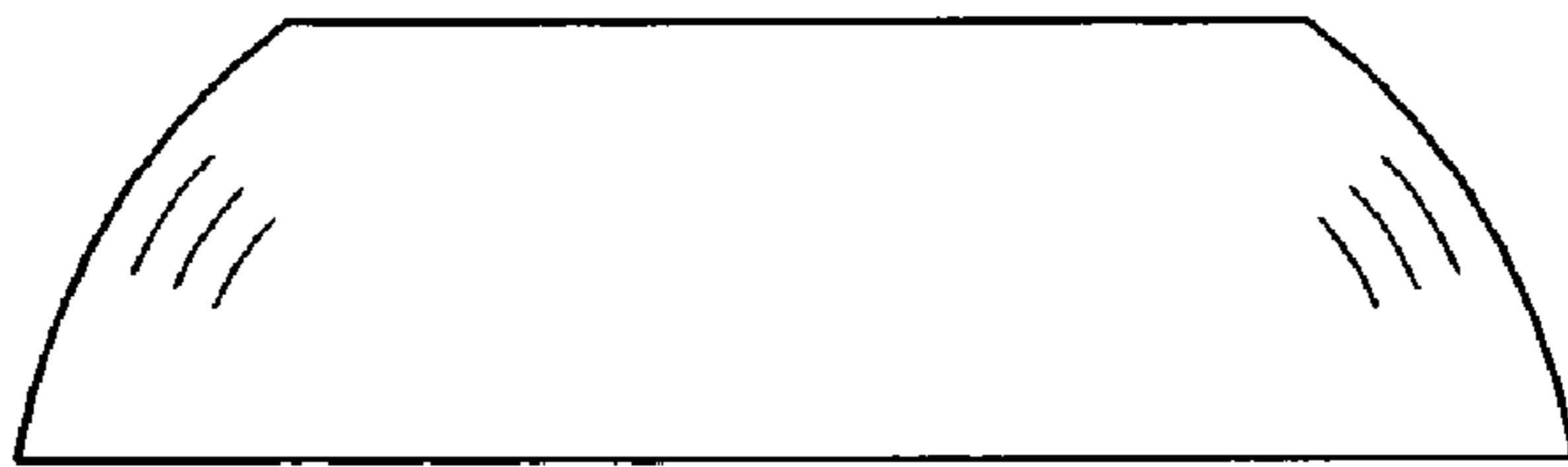


FIG 6

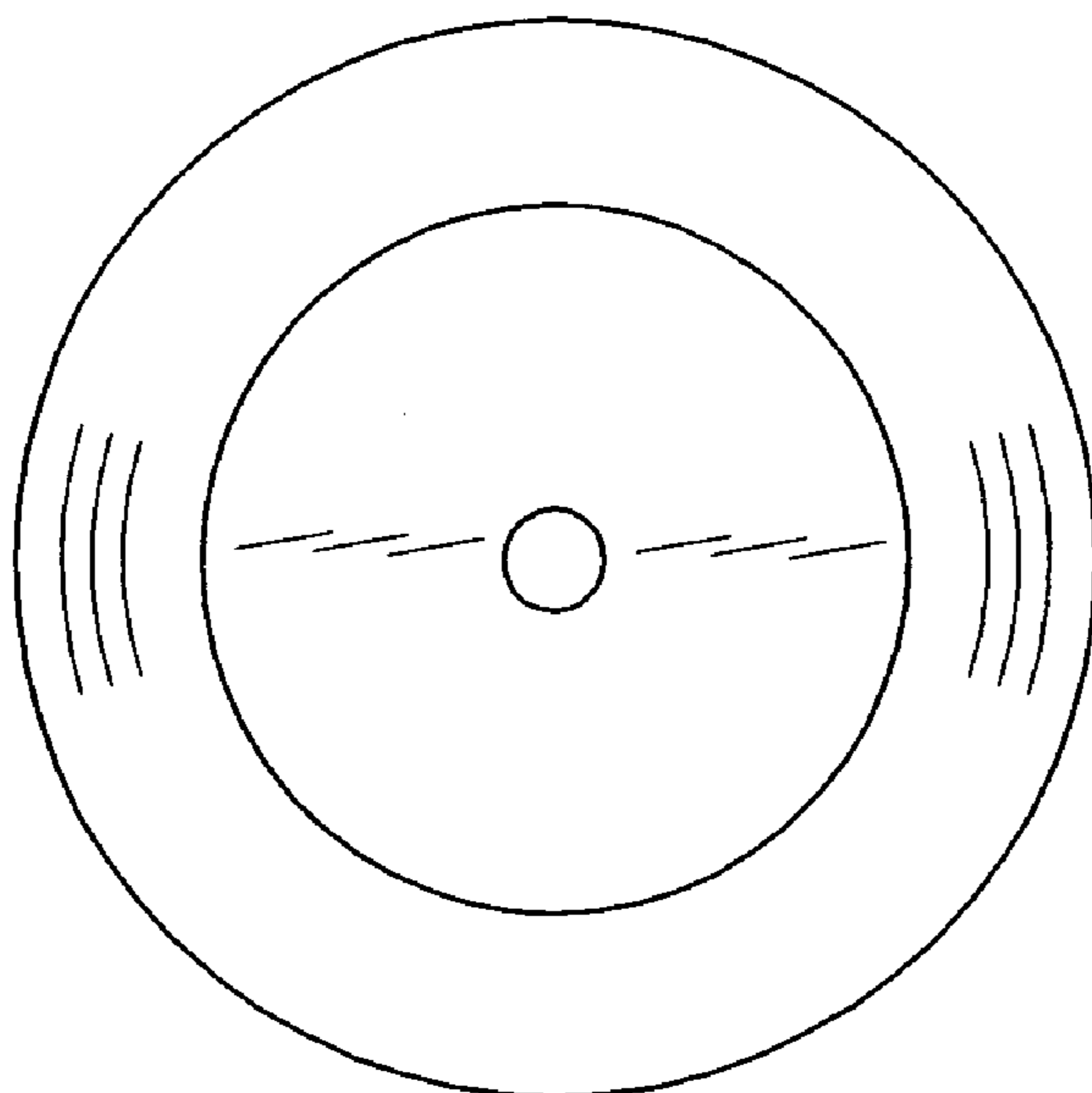


FIG 7

