

US00D574550S

(12) **United States Design Patent**
Salman

(10) **Patent No.:** **US D574,550 S**
(45) **Date of Patent:** **** Aug. 5, 2008**

(54) **PORTION OF A LIGHTING FIXTURE**

(75) Inventor: **Utkan Salman**, Oakland, CA (US)

(73) Assignee: **Acuity Brands, Inc.**, Atlanta, GA (US)

(**) Term: **14 Years**

(21) Appl. No.: **29/268,047**

(22) Filed: **Oct. 26, 2006**

(51) **LOC (8) Cl.** **26-99**

(52) **U.S. Cl.** **D26/113**

(58) **Field of Classification Search** D26/118,
D26/76, 120, 121, 77, 141, 128, 78, 3, 88,
D26/85, 87, 65, 67, 68, 81, 84, 155, 145,
D26/142, 113, 138, 57, 72, 73, 75, 82, 89,
D26/93, 109, 108, 119, 143, 152; D11/90;
D25/124; D10/114; D13/135; 362/298,
362/555, 576, 581, 147, 151, 153, 217, 219,
362/235, 241, 279, 290, 297, 325, 404, 405,
362/410, 800

See application file for complete search history.

(56) **References Cited**

U.S. PATENT DOCUMENTS

D106,873 S *	11/1937	Stewart	D26/24
D122,861 S *	10/1940	Carter, Jr.	D26/77
D130,745 S *	12/1941	Mausshardt	D26/78
D132,144 S *	4/1942	Hallman	D26/84
D180,535 S *	6/1957	Stevens	D26/24
D266,026 S *	8/1982	Ariga et al.	D26/3
D300,873 S *	4/1989	Thompson et al.	D26/74
D300,951 S *	5/1989	Hughes et al.	D26/78
D345,316 S *	3/1994	Green et al.	D10/114
D356,392 S *	3/1995	Chen	D26/142
D362,315 S	9/1995	Herst et al.		
D374,737 S *	10/1996	Can	D26/80
D401,000 S	11/1998	Herst		
D405,907 S	2/1999	Herst et al.		
D405,908 S	2/1999	Herst et al.		

D428,508 S	7/2000	Irvine		
D457,981 S *	5/2002	Yeh	D26/76
D464,161 S *	10/2002	Nourishad	D26/78
D469,711 S *	2/2003	Neufeglise et al.	D10/114
6,709,131 B1	3/2004	Herst et al.		
D491,687 S *	6/2004	Thornton et al.	D26/76
D493,565 S *	7/2004	Smith et al.	D26/118
D496,747 S	9/2004	Herst et al.		
D498,018 S *	11/2004	Sieczkowski	D26/118
D499,976 S *	12/2004	Neufeglise et al.	D10/114
D520,176 S	5/2006	Herst et al.		
D561,926 S	2/2008	Salman		

* cited by examiner

Primary Examiner—Freda S. Nunn

Assistant Examiner—Kevin K Rudzinski

(74) *Attorney, Agent, or Firm*—Donald L. Beeson; Beeson Skinner Beverly, LLP

(57) **CLAIM**

The ornamental design for a portion of a lighting fixture, as shown and described.

DESCRIPTION

FIG. 1 is a bottom perspective view of a portion of a lighting fixture showing my new design;

FIG. 2 is another bottom perspective view thereof with the dashed lines shown in FIG. 1 removed;

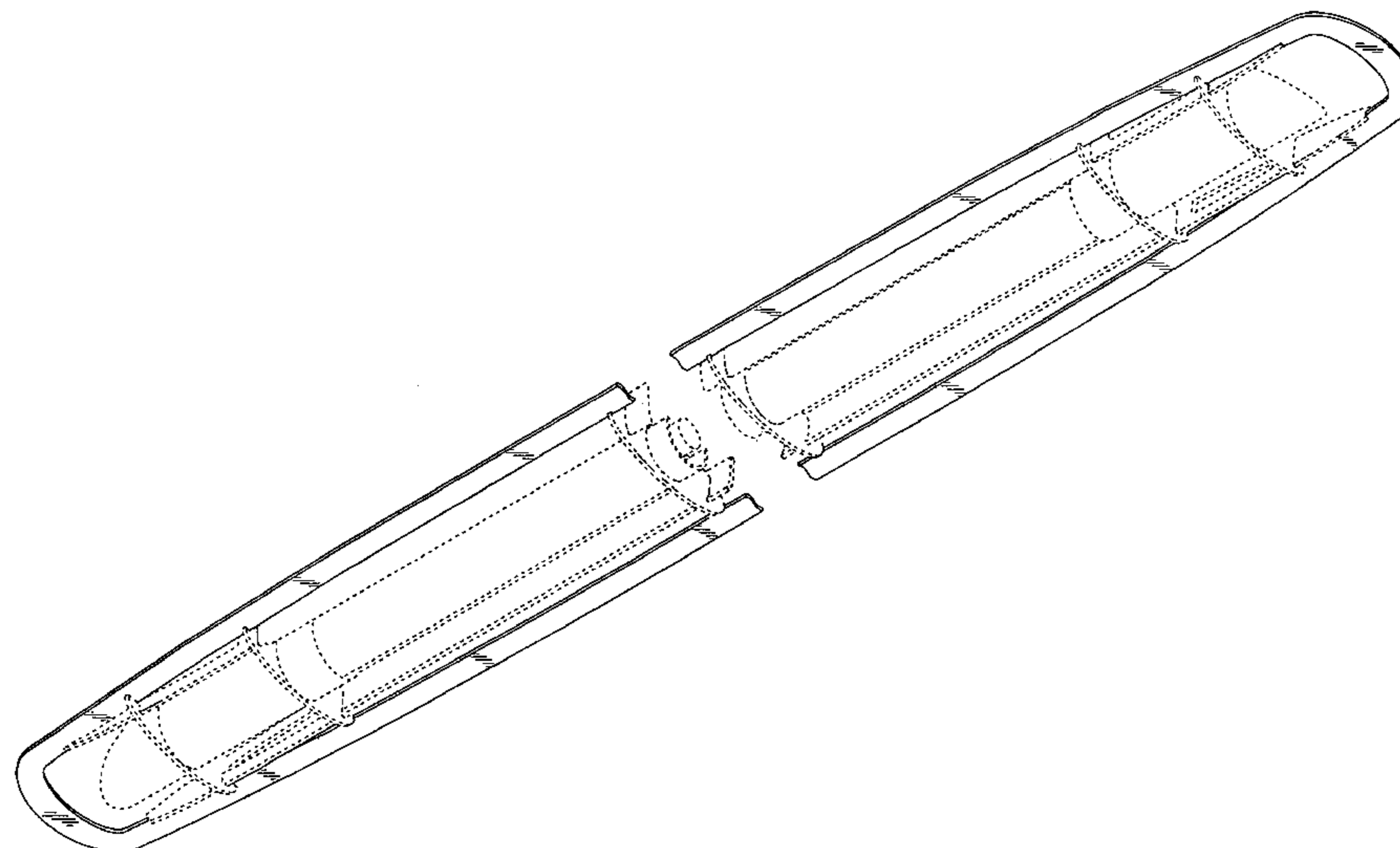
FIG. 3 is a bottom plan view thereof, the top being a mirror image;

FIG. 4 is a side elevational view thereof, the other side being a mirror image; and,

FIG. 5 is an end elevational view thereof, the other end being a mirror image.

FIGS. 1–4 are broken away to indicate indeterminate length. The broken lines are shown in FIG. 1 for illustrative purposes only and form no part of my claimed design.

1 Claim, 3 Drawing Sheets



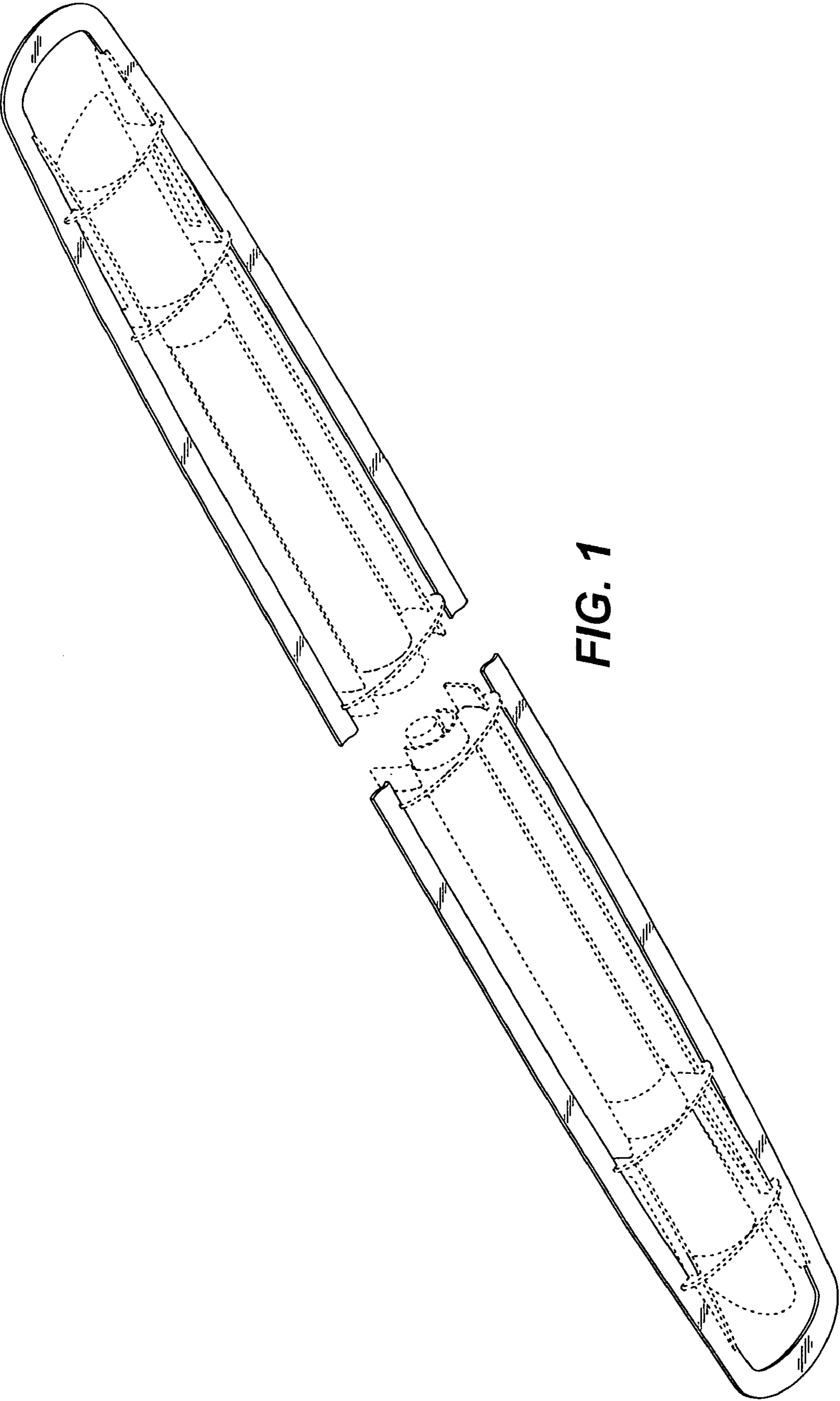


FIG. 1

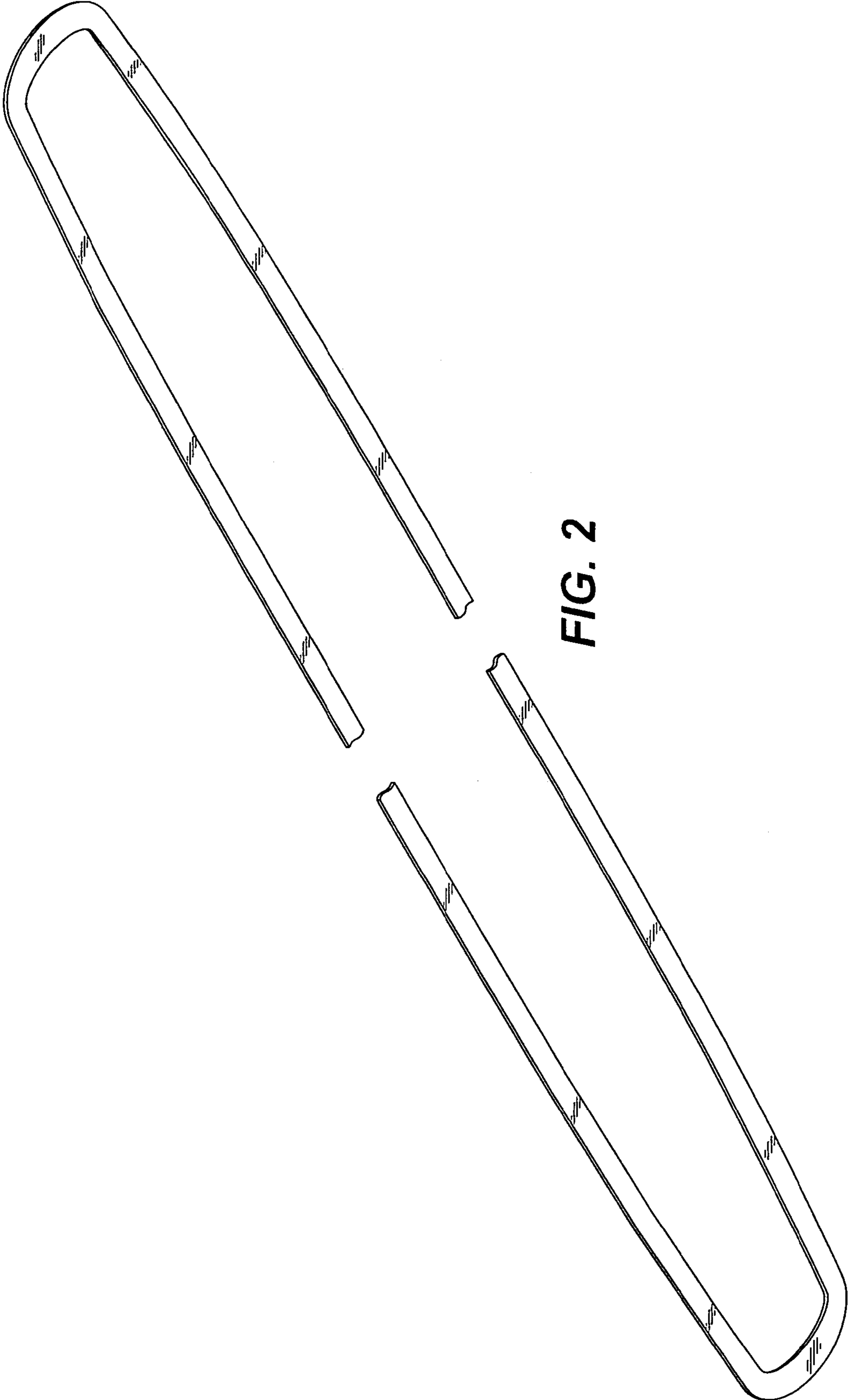


FIG. 2

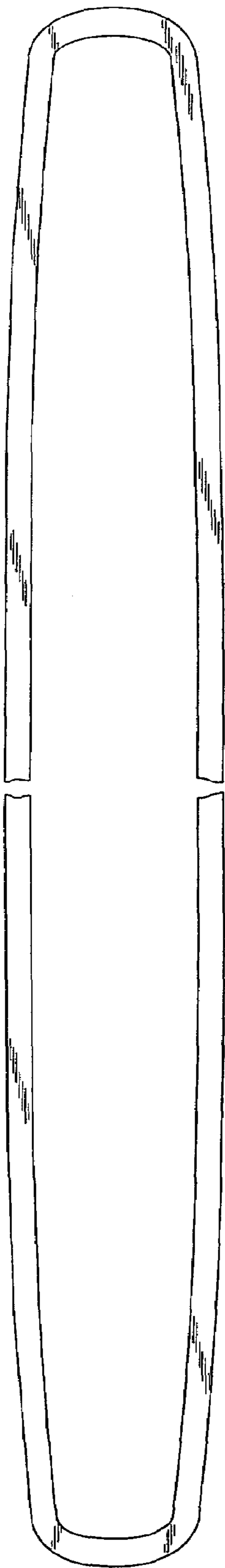


FIG. 3



FIG. 4



FIG. 5