



US00D574549S

(12) **United States Design Patent**
Kinnune et al.

(10) **Patent No.:** **US D574,549 S**

(45) **Date of Patent:** **** Aug. 5, 2008**

(54) **LIGHTING FIXTURE WITH TOP MOUNT**

D535,774 S * 1/2007 Weston et al. D26/72
D551,379 S * 9/2007 Maxik D26/74

(75) Inventors: **Brian L. Kinnune**, Racine, WI (US);
Steven R. Walczak, Hales Corners, WI
(US); **Kurt S. Wilcox**, Libertyville, IL
(US)

* cited by examiner

Primary Examiner—Clare E Heflin

(74) *Attorney, Agent, or Firm*—Jansson Shupe & Munger
Ltd.

(73) Assignee: **Ruud Lighting, Inc.**, Racine, WI (US)

(57) **CLAIM**

(**) Term: **14 Years**

The ornamental design for a lighting fixture with top mount,
as shown and described.

(21) Appl. No.: **29/279,699**

(22) Filed: **May 4, 2007**

DESCRIPTION

(51) **LOC (8) Cl.** **26-03**

FIG. 1 is a front top perspective view of a lighting fixture with
top mount.

(52) **U.S. Cl.** **D26/89**

FIG. 2 is a front bottom perspective view of the lighting
fixture of FIG. 1.

(58) **Field of Classification Search** D26/72,
D26/85, 88, 89; 362/147, 362, 367, 368,
362/404, 408

FIG. 3 is a front elevation view of the lighting fixture of FIG.
1.

See application file for complete search history.

FIG. 4 is a rear elevation view of the lighting fixture of FIG.
1.

(56) **References Cited**

U.S. PATENT DOCUMENTS

| | | | | | | |
|-----------|----|---|---------|-----------------|-------|---------|
| 4,323,955 | A | * | 4/1982 | Mark | | 362/278 |
| D267,516 | S | * | 1/1983 | Rambusch et al. | | D26/72 |
| D268,441 | S | * | 3/1983 | Siff | | D26/24 |
| 4,403,278 | A | | 9/1983 | Flood | | |
| D305,694 | S | * | 1/1990 | Brown | | D26/85 |
| 5,465,199 | A | | 11/1995 | Bray et al. | | |
| D402,386 | S | * | 12/1998 | Compton | | D26/72 |
| 6,394,628 | B1 | | 5/2002 | Wang | | |
| 6,595,664 | B2 | | 7/2003 | Bucher et al. | | |

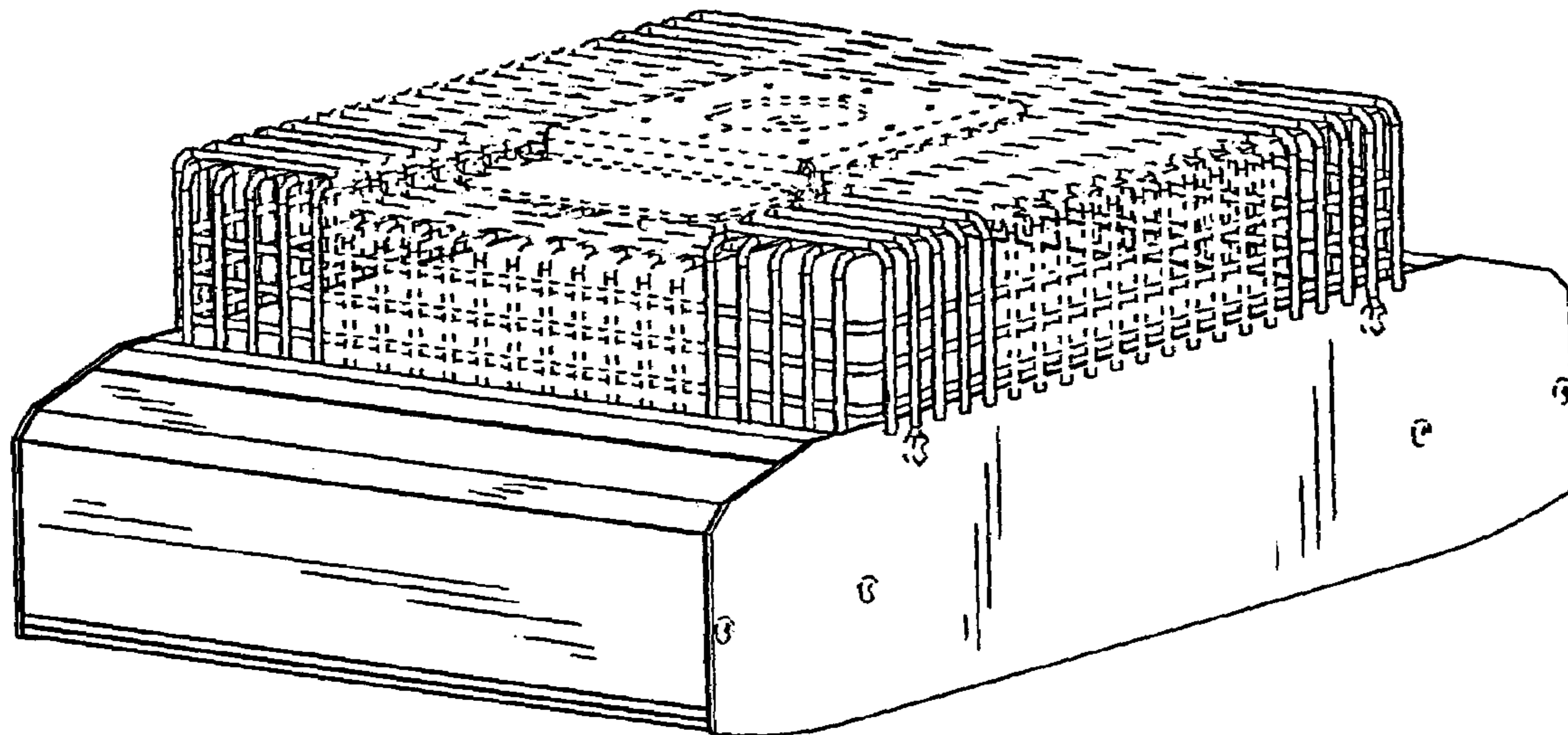
FIG. 5 is a right-side elevation view of the lighting fixture of
FIG. 1, a left-side elevation view being a mirror image.

FIG. 6 is a bottom plan view of the lighting fixture of FIG. 1;
and,

FIG. 7 is a top plan view of the lighting fixture of FIG. 1.

The broken lines are provided for illustrated purposes only
and form no part of the claimed design.

1 Claim, 7 Drawing Sheets



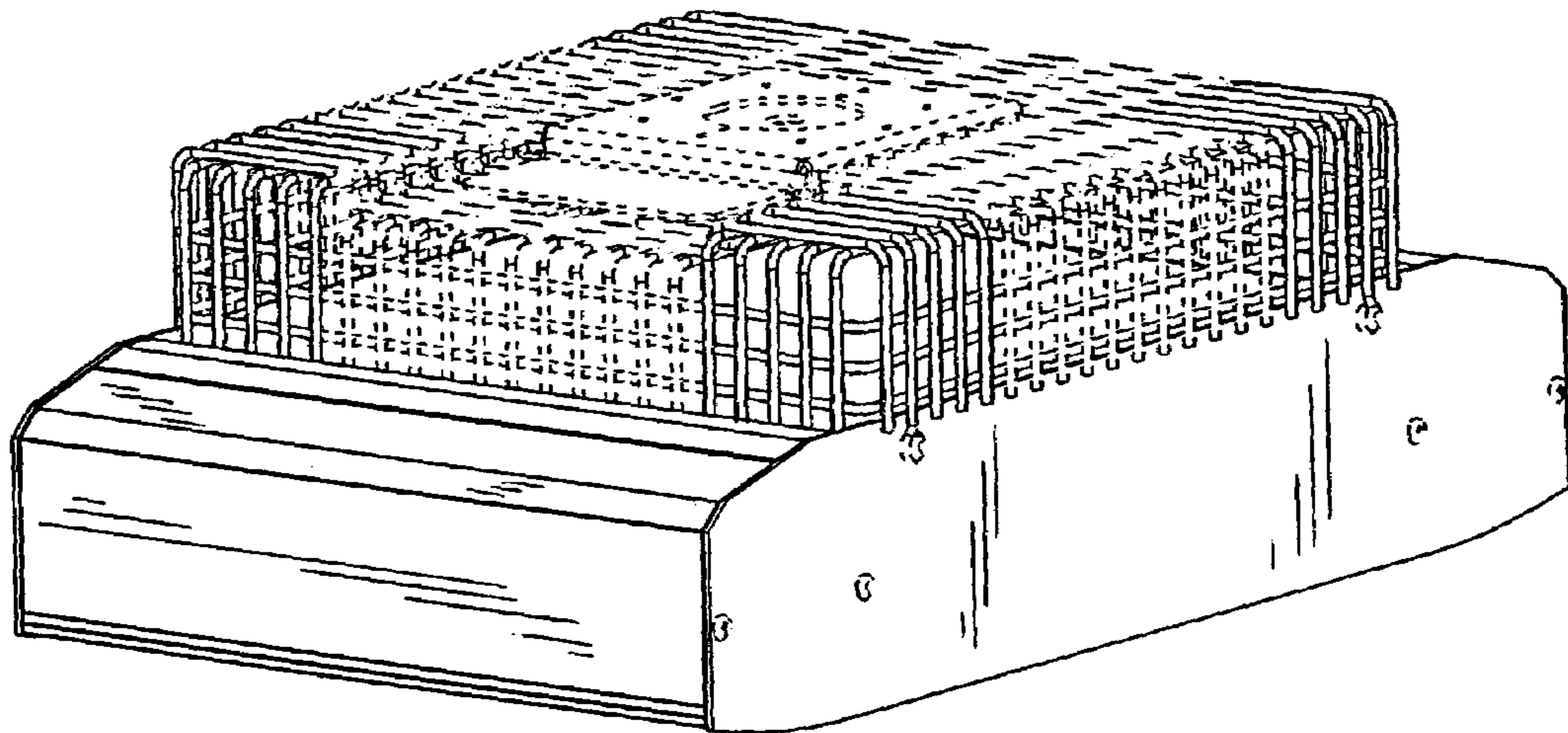


FIG. 1

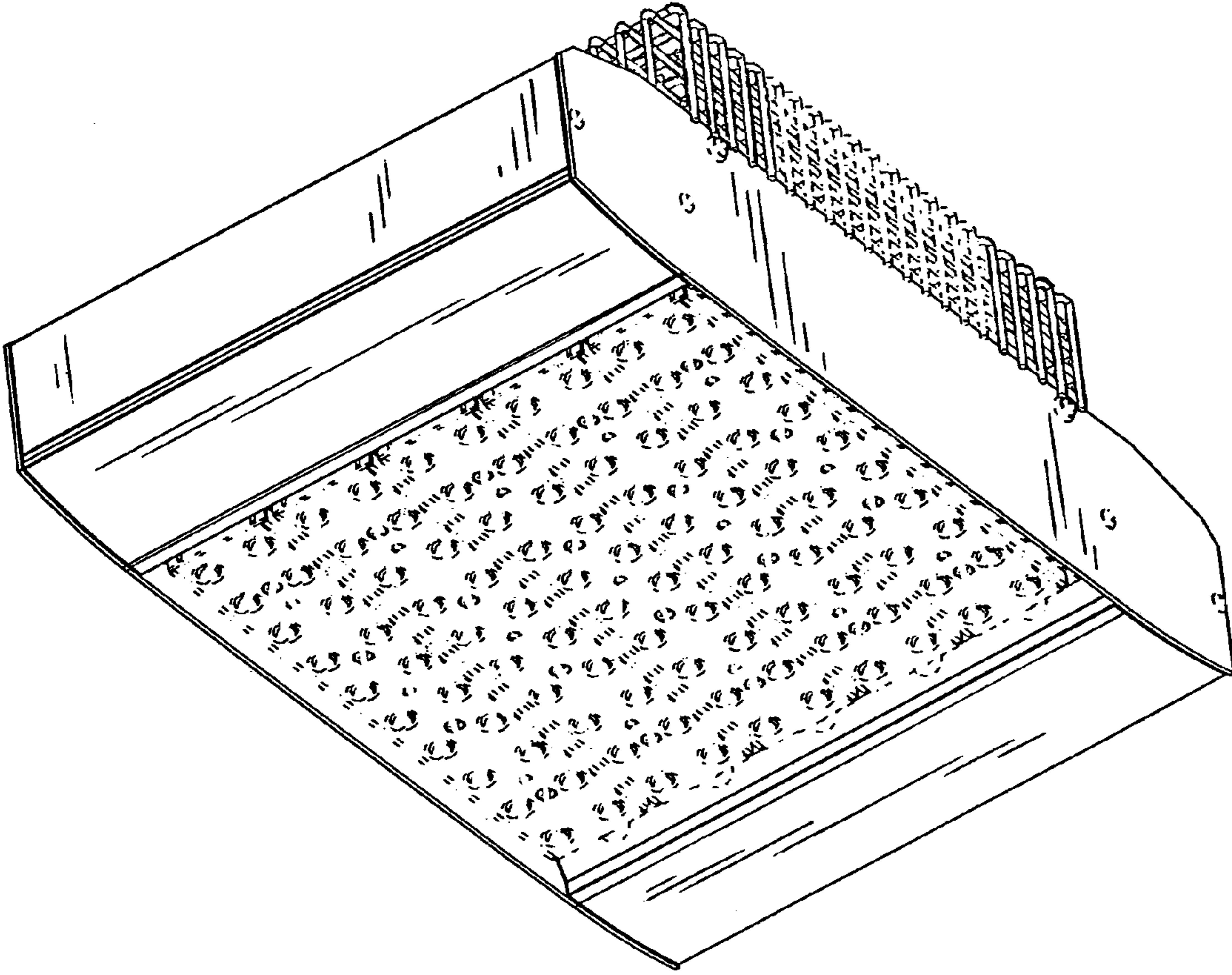


FIG. 2

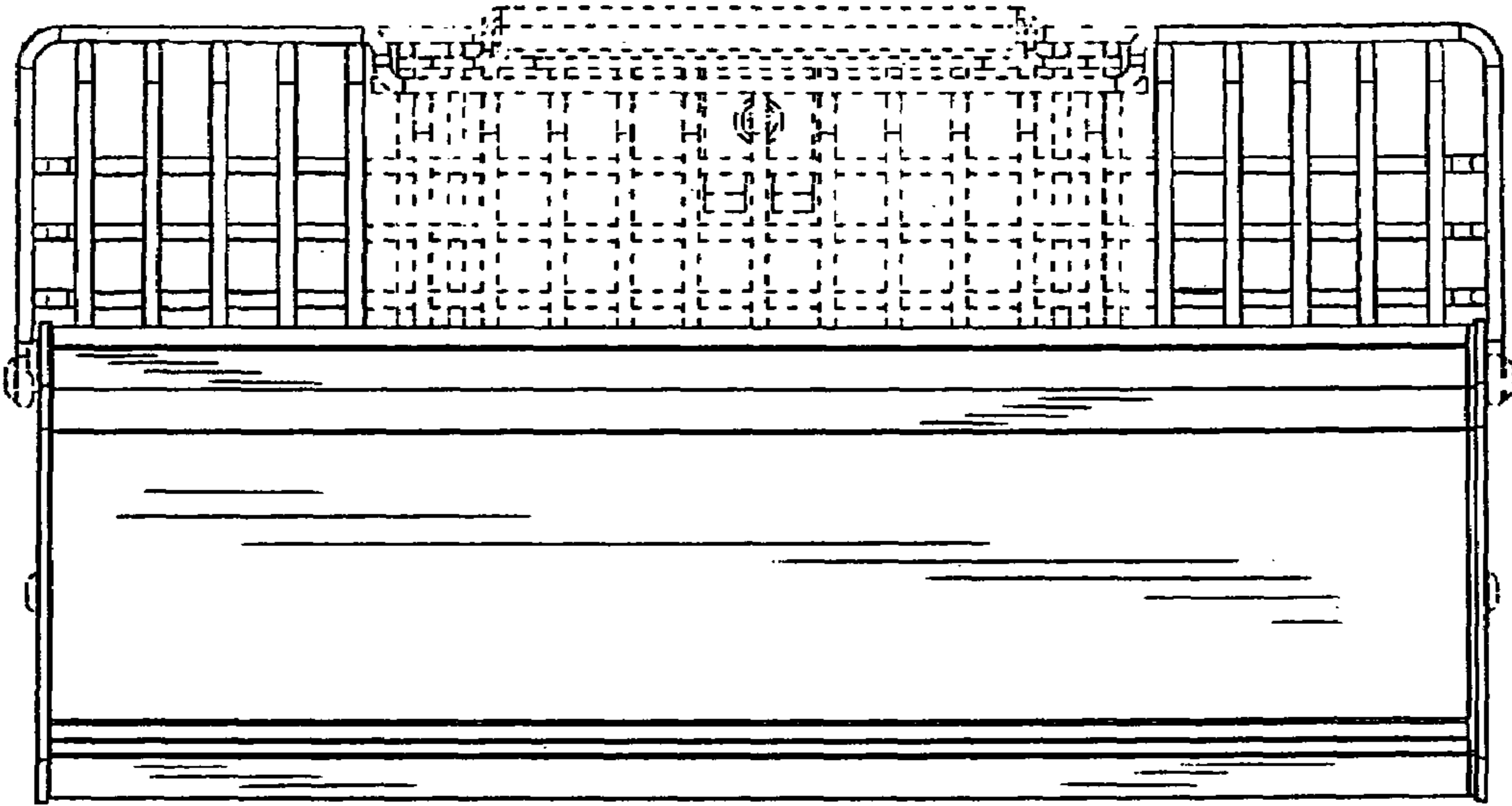


FIG. 3

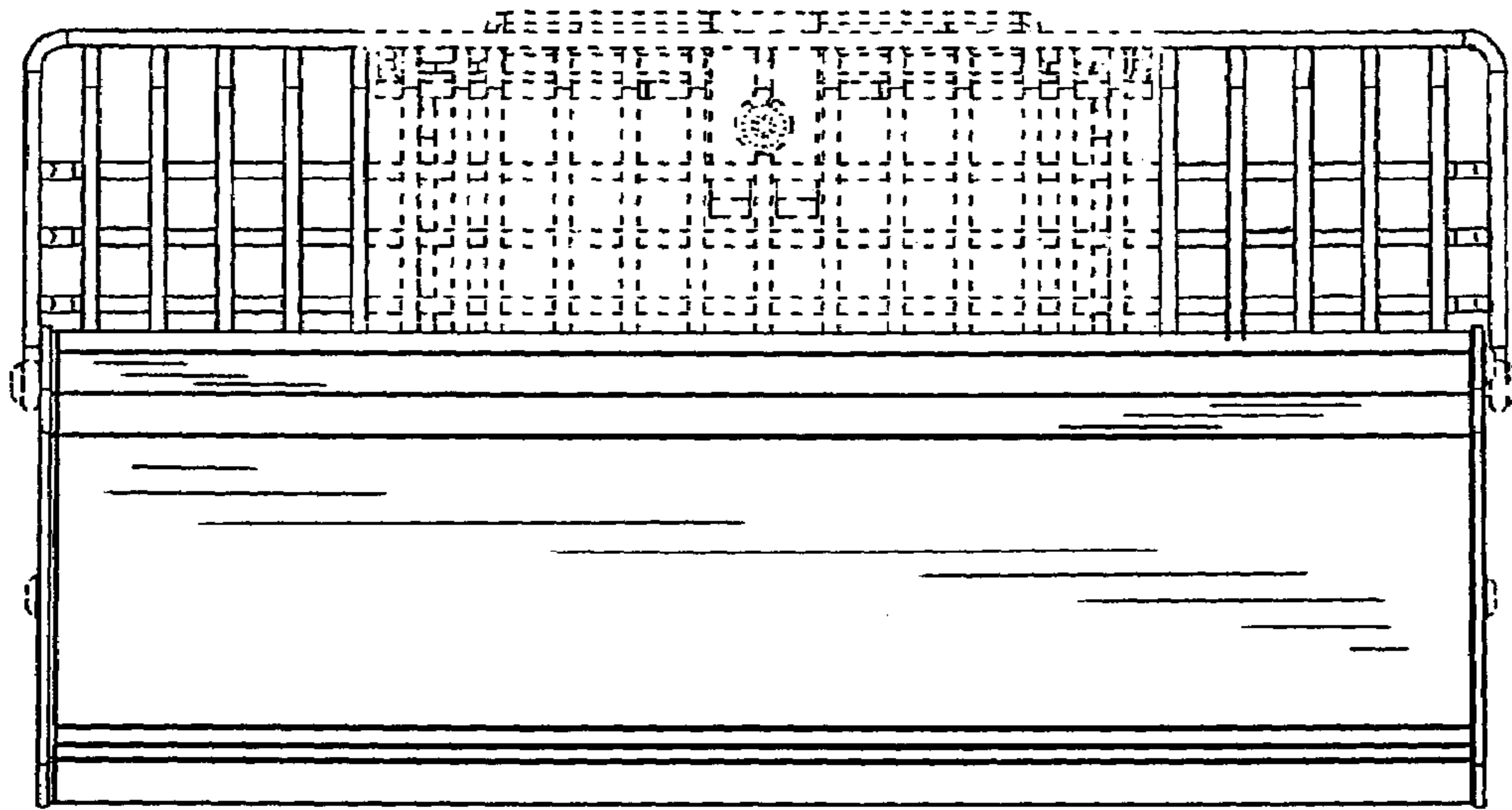


FIG. 4

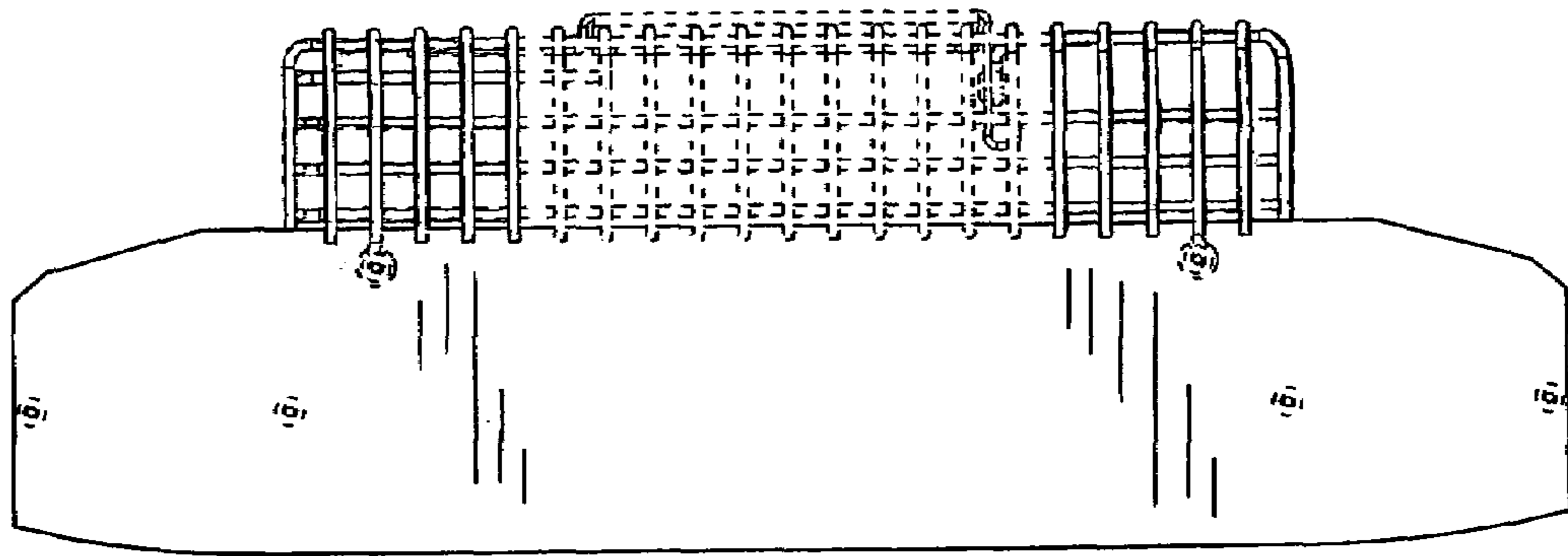


FIG. 5

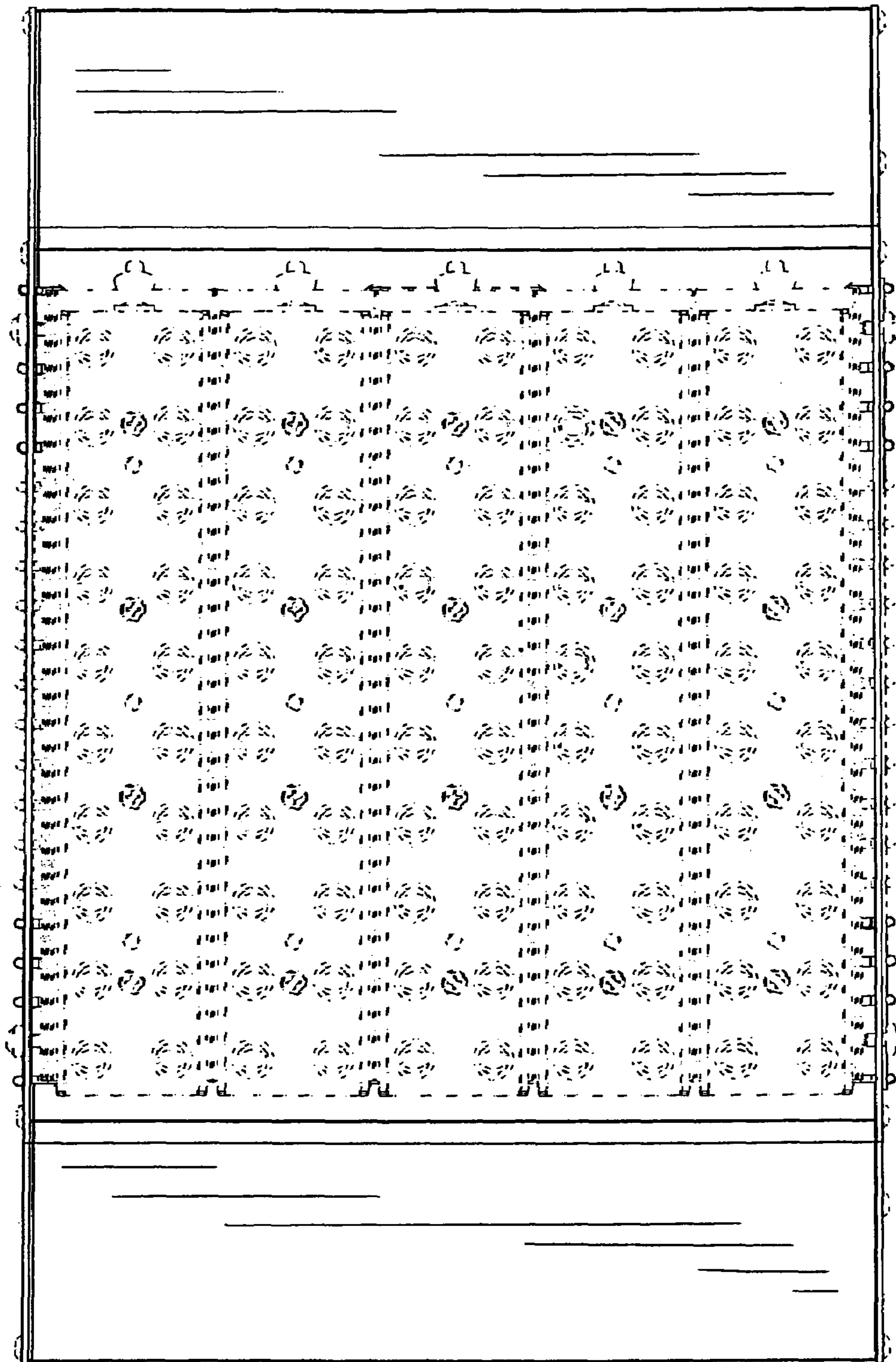


FIG. 6

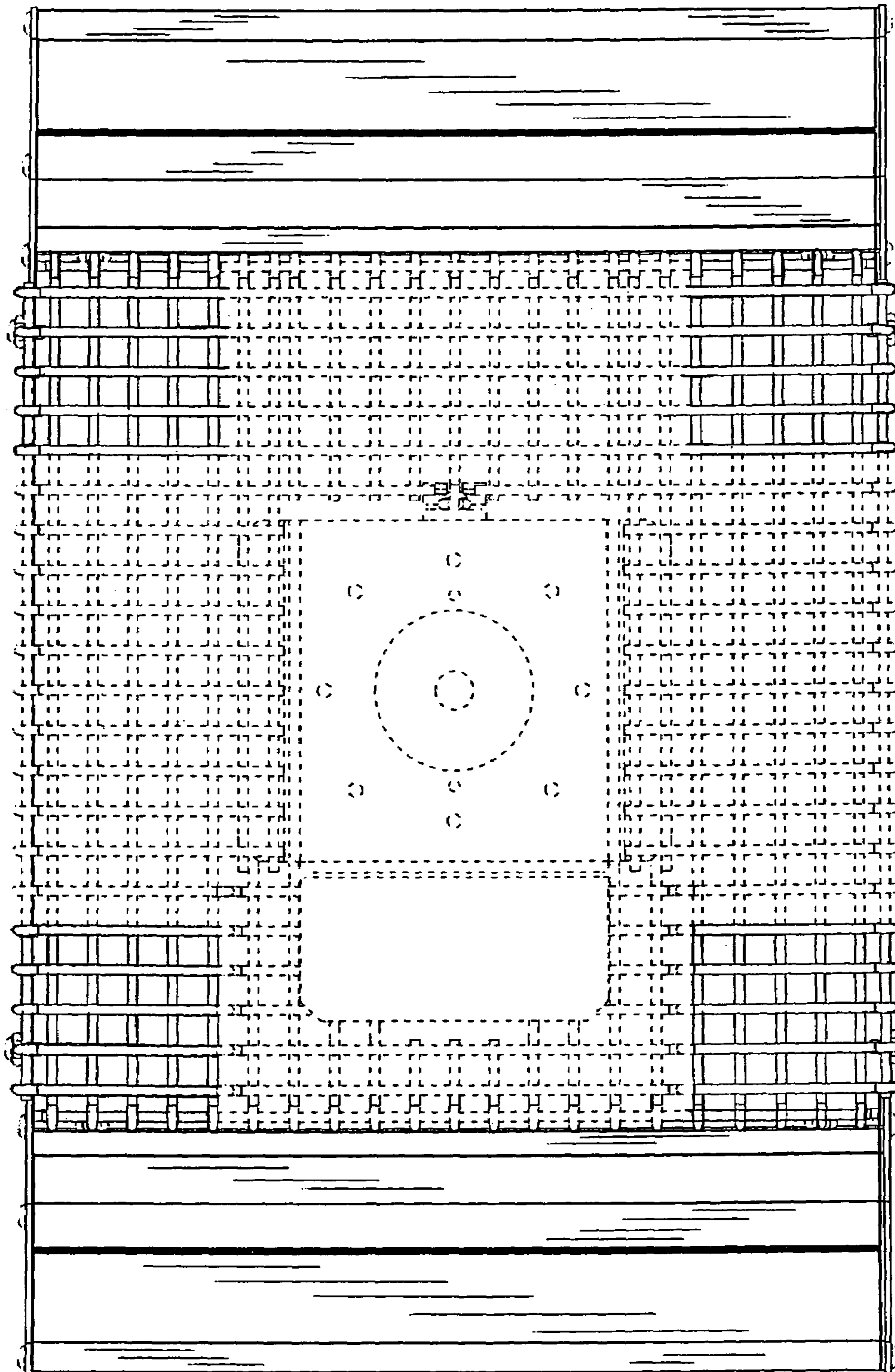


FIG. 7