



US00D574543S

(12) **United States Design Patent**  
**Chandler**

(10) **Patent No.:** **US D574,543 S**

(45) **Date of Patent:** **\*\* Aug. 5, 2008**

(54) **LAMP**

(75) Inventor: **George Chandler**, Hubbardton, VT (US)

(73) Assignee: **Hubbardton Forge, LLC**, Castleton, VT (US)

(\*\*) Term: **14 Years**

(21) Appl. No.: **29/283,965**

(22) Filed: **Aug. 28, 2007**

(51) **LOC (8) Cl.** ..... **26-03**

(52) **U.S. Cl.** ..... **D26/88**

(58) **Field of Classification Search** ..... D26/72,  
D26/84, 85, 86, 88-91, 118, 128, 130, 131,  
D26/135, 137; 362/147, 404, 407  
See application file for complete search history.

(56) **References Cited**

**U.S. PATENT DOCUMENTS**

D71,141 S *	9/1926	Friedman	.....	D26/87
D108,654 S *	3/1938	Versen	.....	D26/88
D167,080 S *	6/1952	Huegel	.....	D26/88
3,258,239 A *	6/1966	Green	.....	248/342
D532,146 S *	11/2006	Crosby	.....	D26/118
D535,427 S *	1/2007	Chandler	.....	D26/87
D536,821 S *	2/2007	Dolan	.....	D26/87

**OTHER PUBLICATIONS**

Semi Flush Mackintosh #12-4322-20 on p. 134 of the Hubbardton Forge 2005 Catalog.\*

Wall Sconce #20-5912-03 on p. 141 of the Hubbardton Forge 2005 Catalog.\*

\* cited by examiner

*Primary Examiner*—Clare E Heflin

(74) *Attorney, Agent, or Firm*—Bourque and Associates PA

(57) **CLAIM**

The ornamental design for a lamp, as shown and described.

**DESCRIPTION**

FIG. 1 is a perspective view of the lamp according to the present invention;

FIG. 2 is a right perspective view of the lamp according to the present invention;

FIG. 3 is a left perspective view of the lamp according to the present invention;

FIG. 4 is a front perspective view of the lamp according to the present invention;

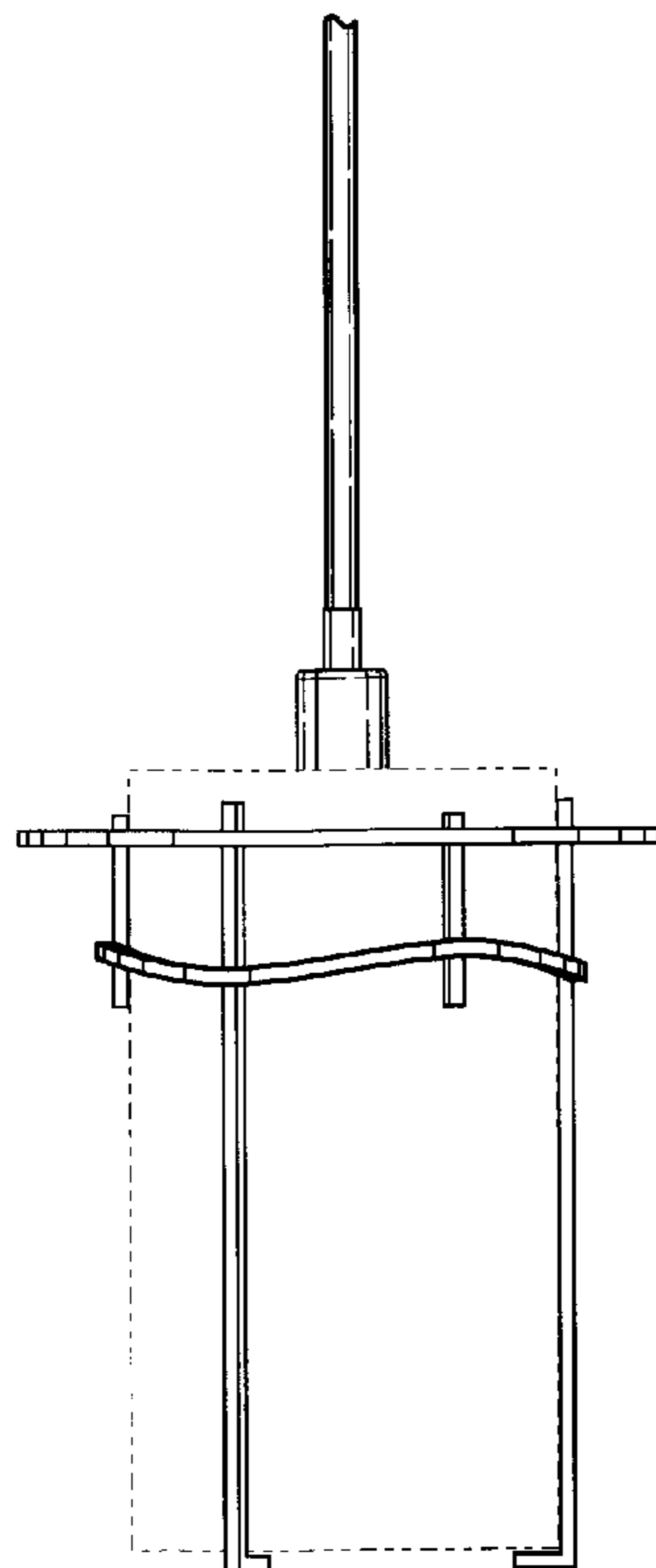
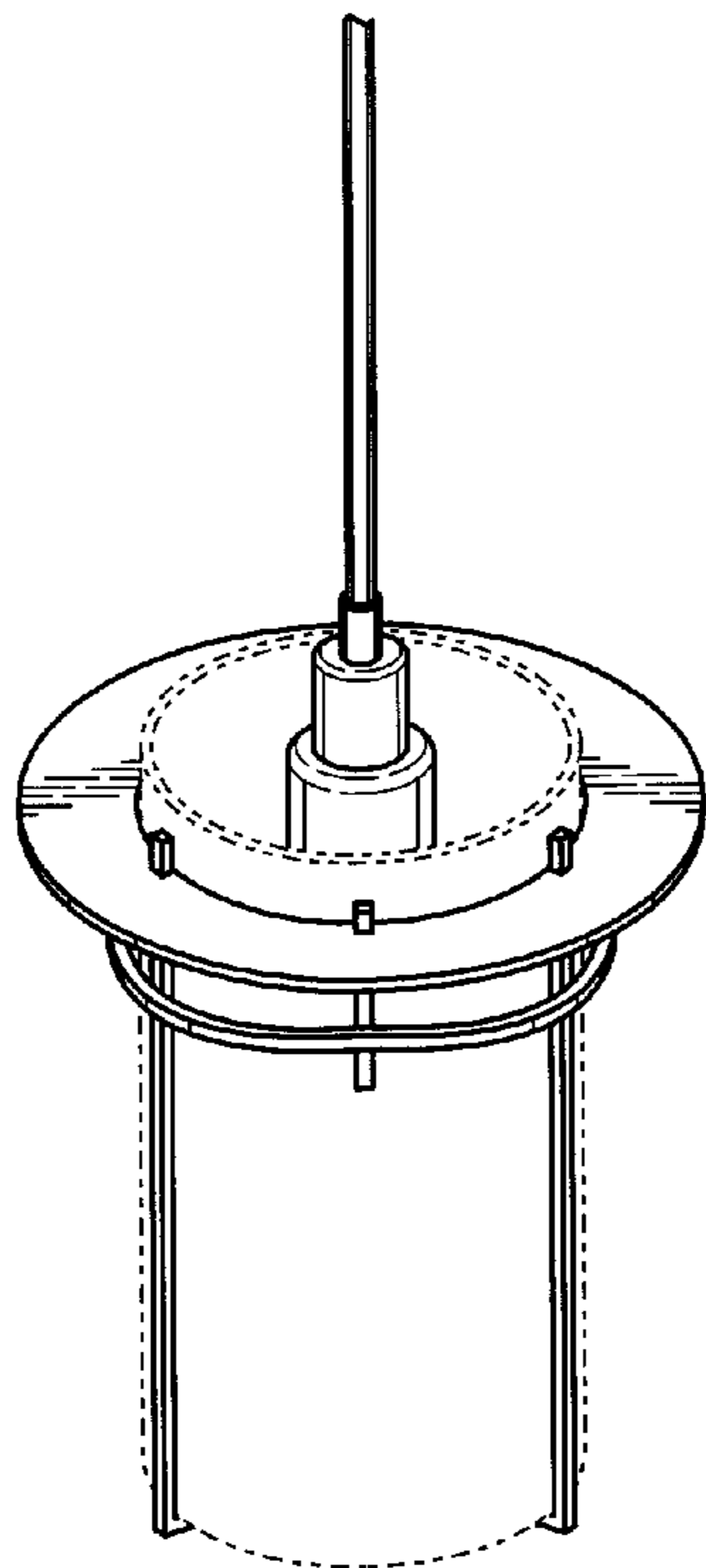
FIG. 5 is a back perspective view of the lamp according to the present invention;

FIG. 6 is a bottom perspective view of the lamp according to the present invention; and,

FIG. 7 is a top perspective view of the lamp according to the present invention.

The broken lines shown are for illustrative purposes only and form no part of the claimed design.

**1 Claim, 6 Drawing Sheets**



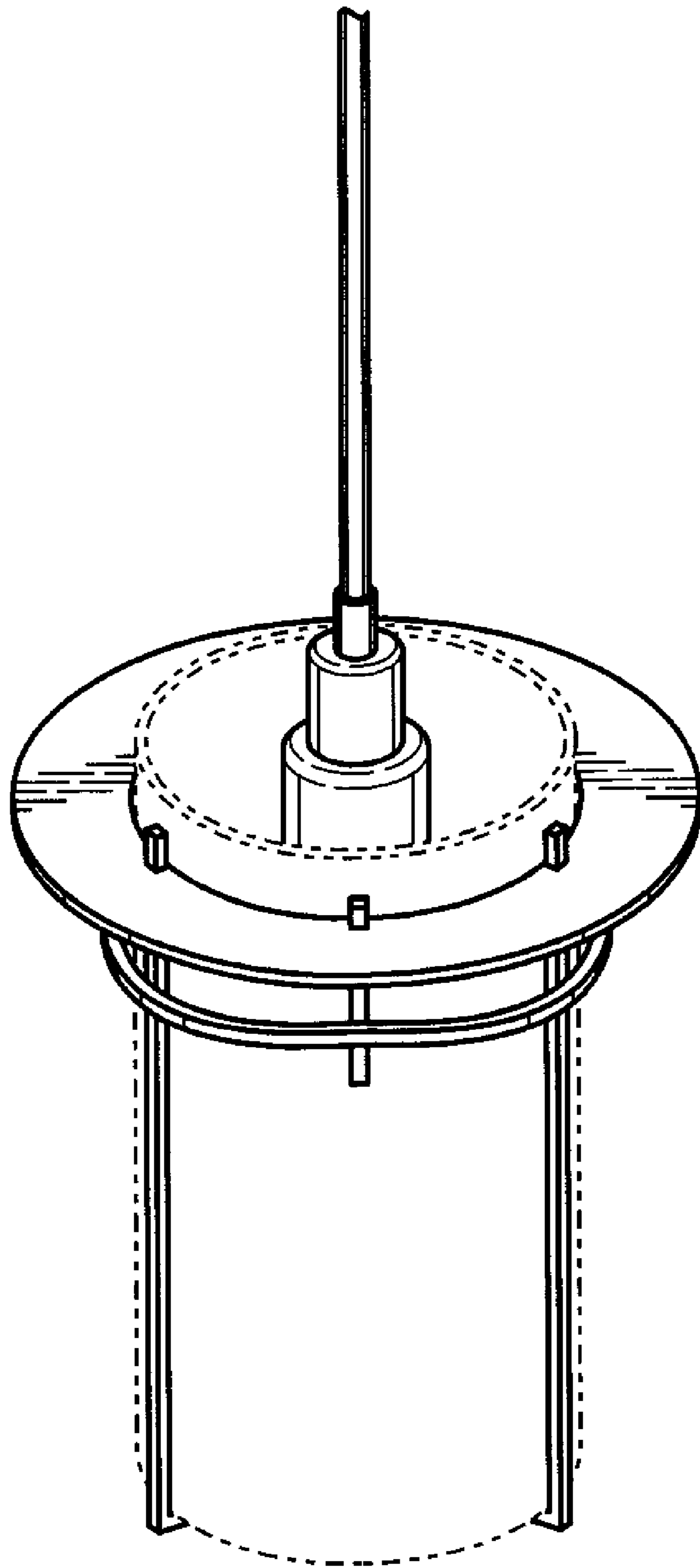


FIG. 1

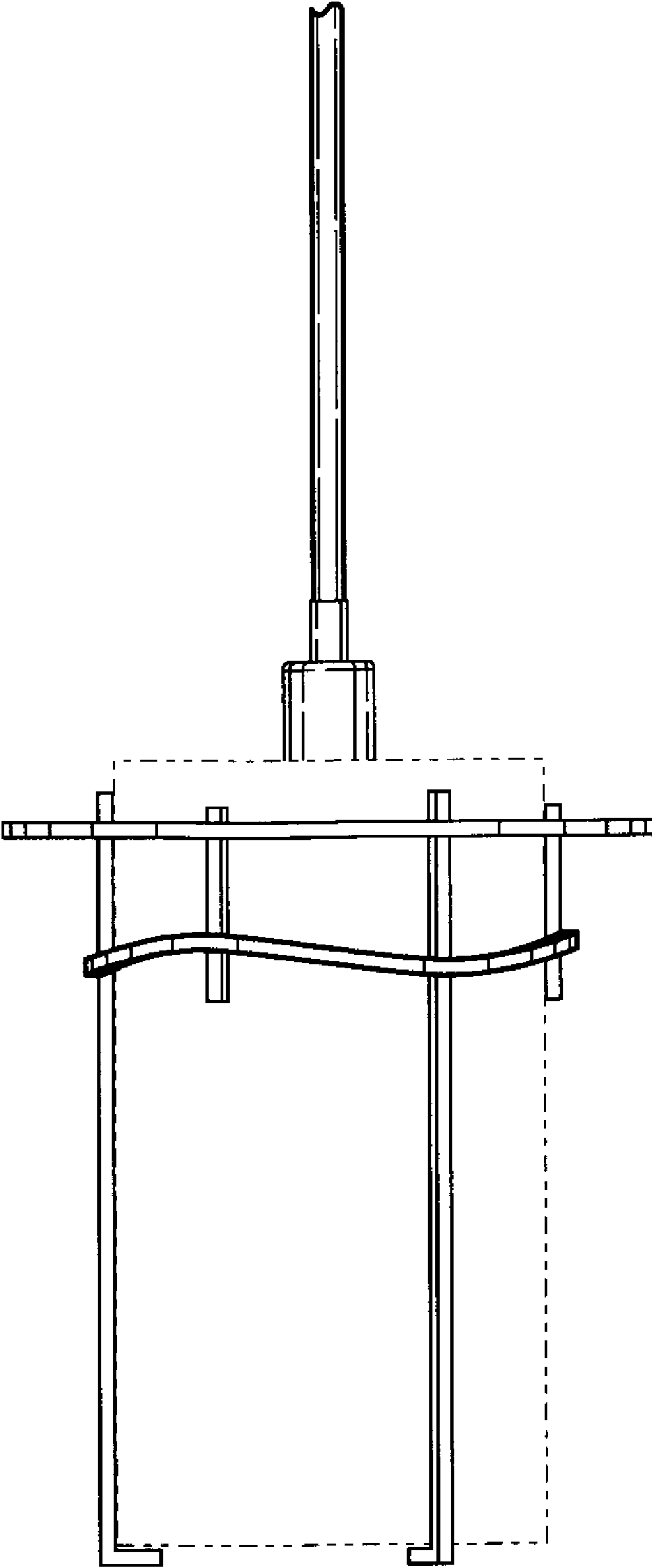


FIG. 2

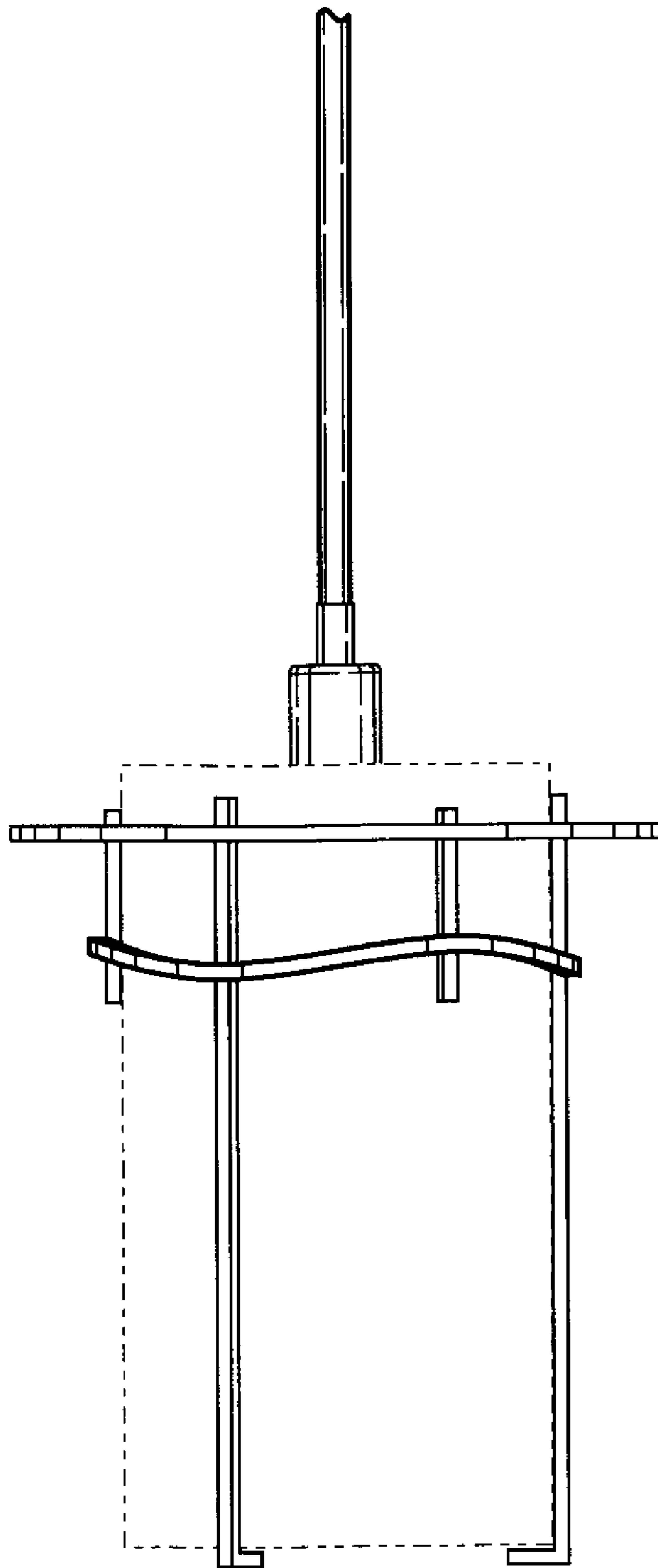


FIG. 3

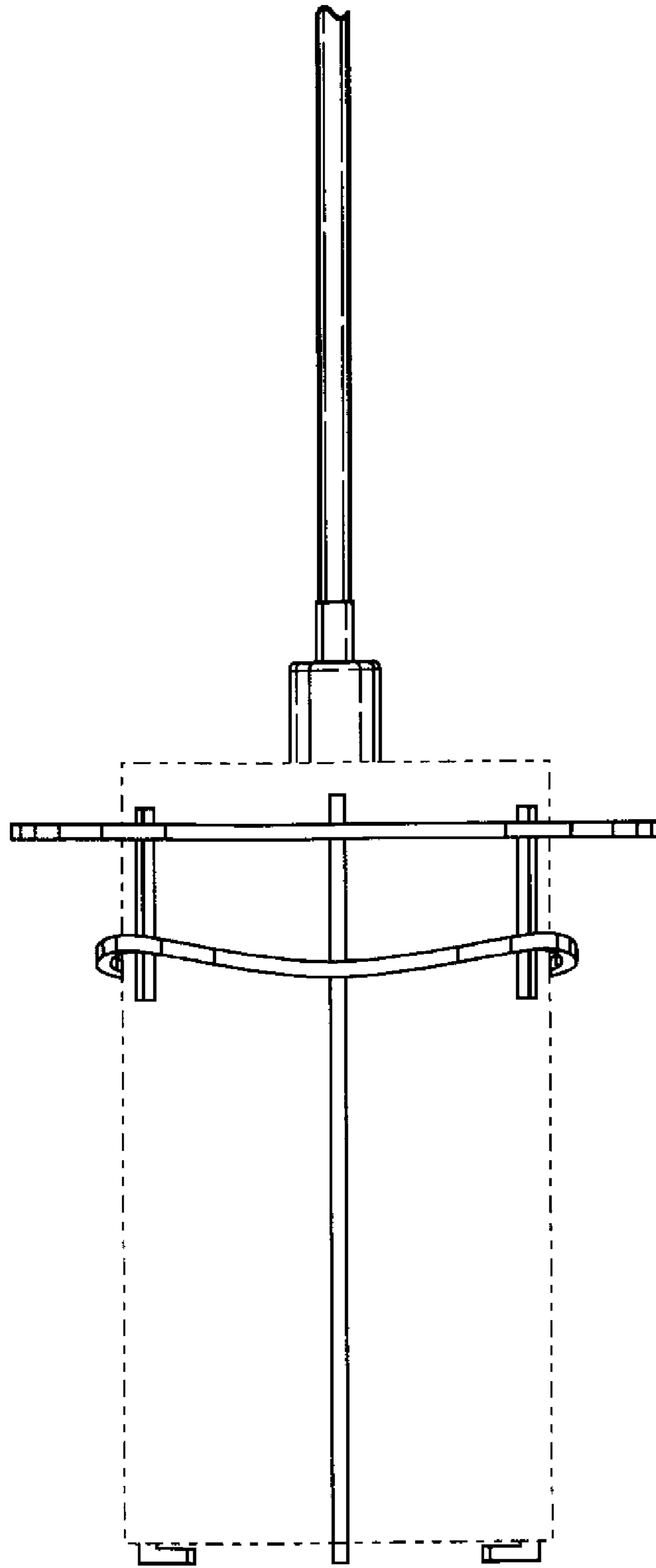


FIG. 4

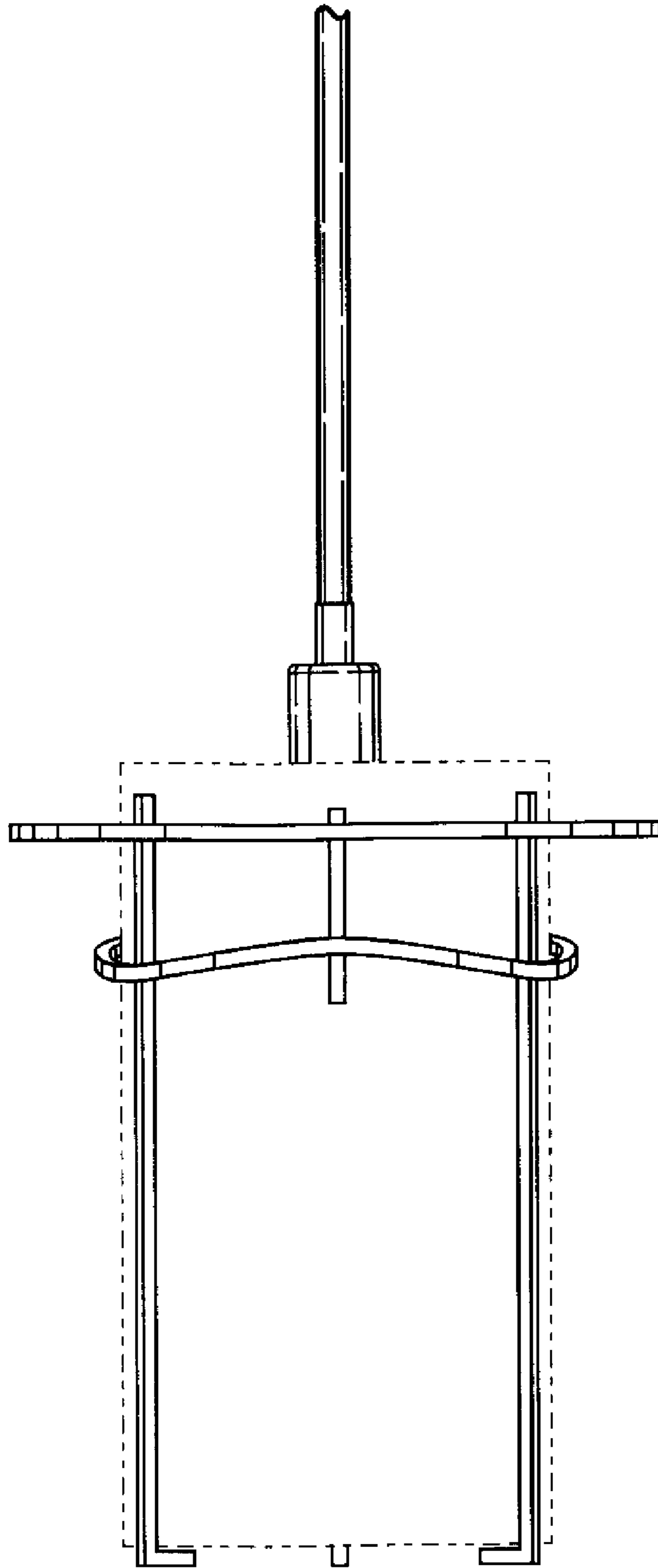


FIG. 5

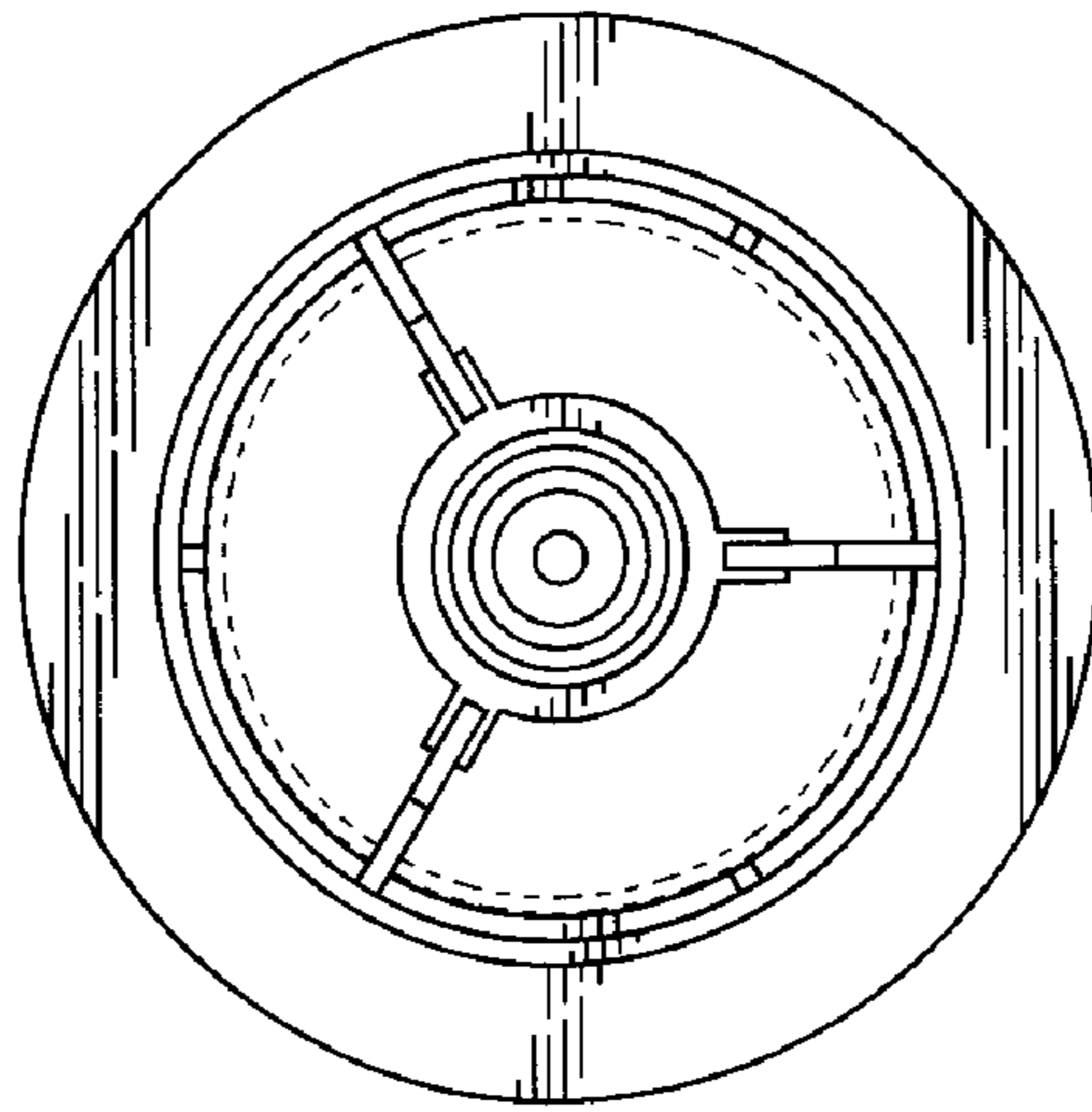


FIG. 6

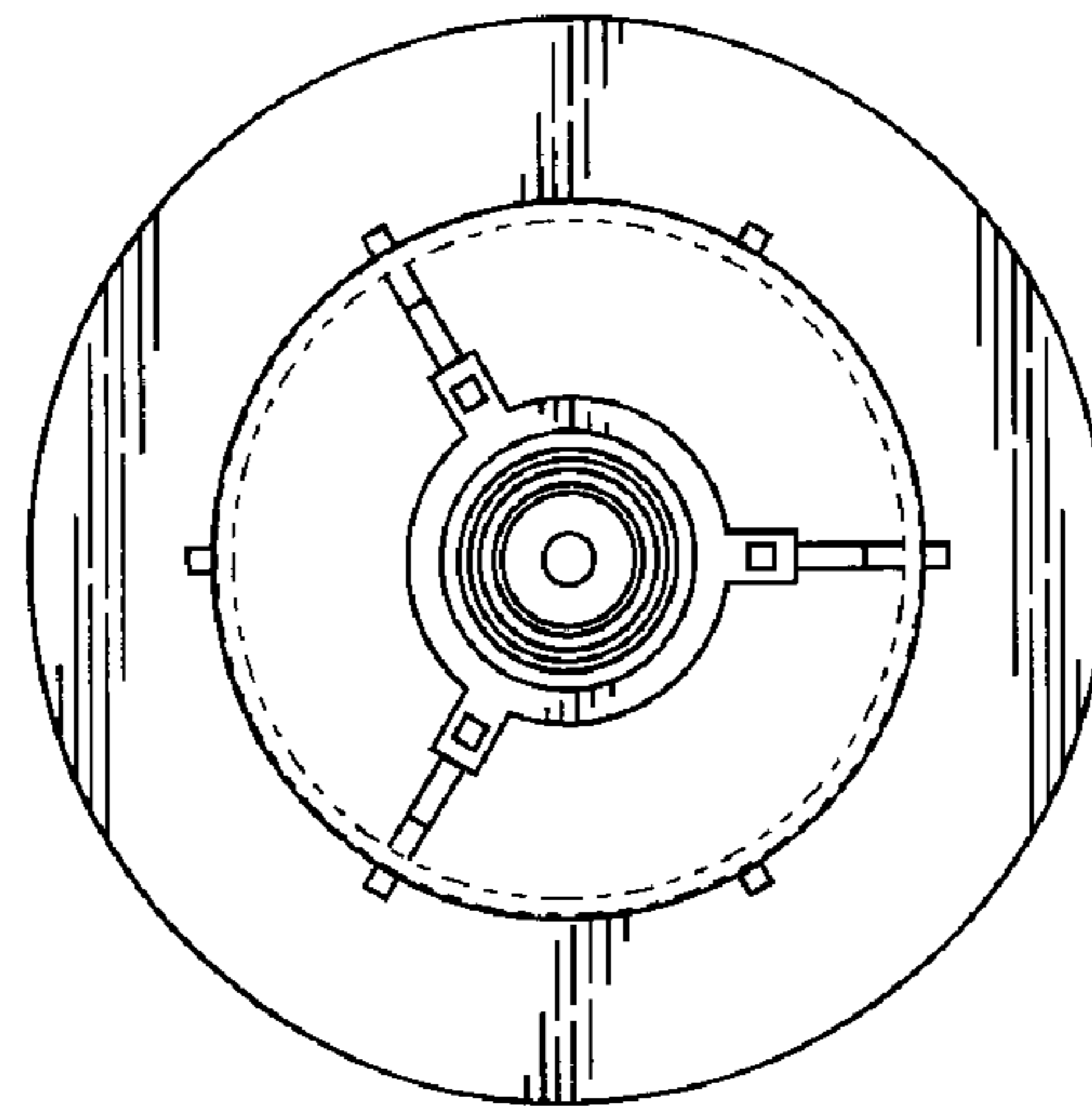


FIG. 7